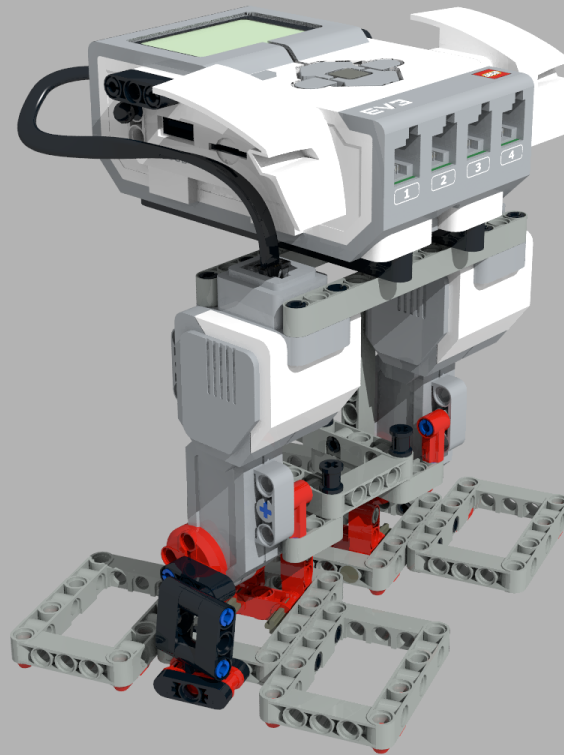


TWIST3R

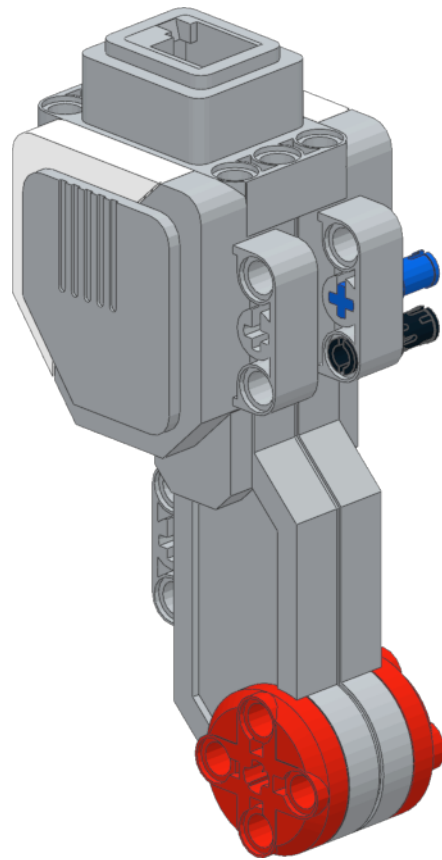
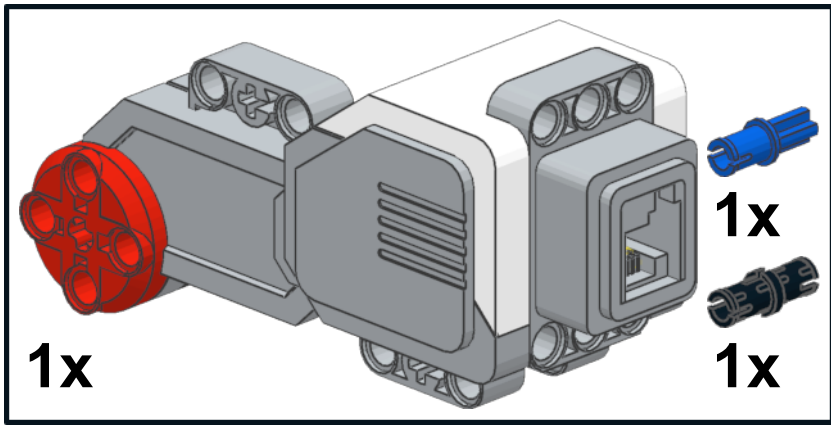
A biped walker using two large motors

by Stu Nicholls

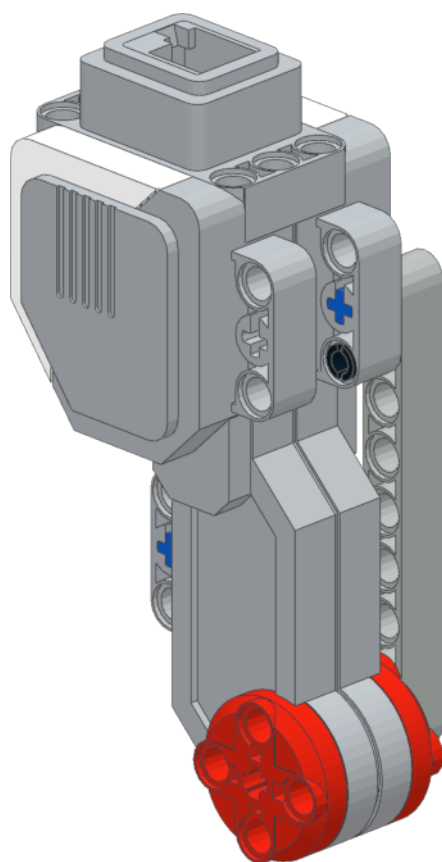
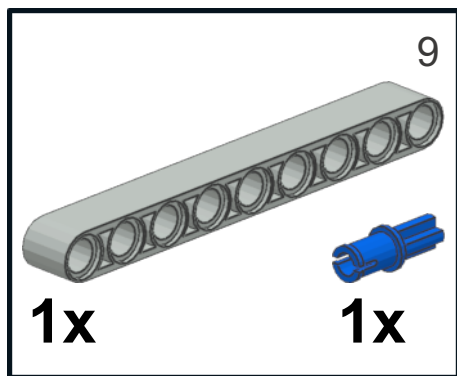
<http://www.stunicholls.com>



1



2



3

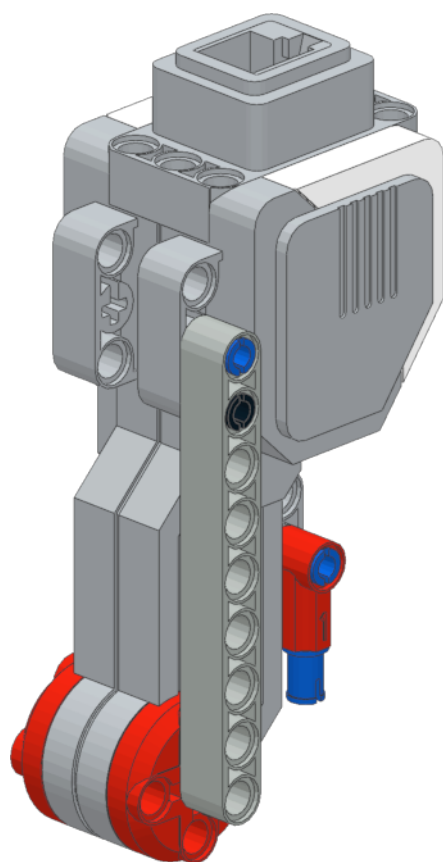
#1



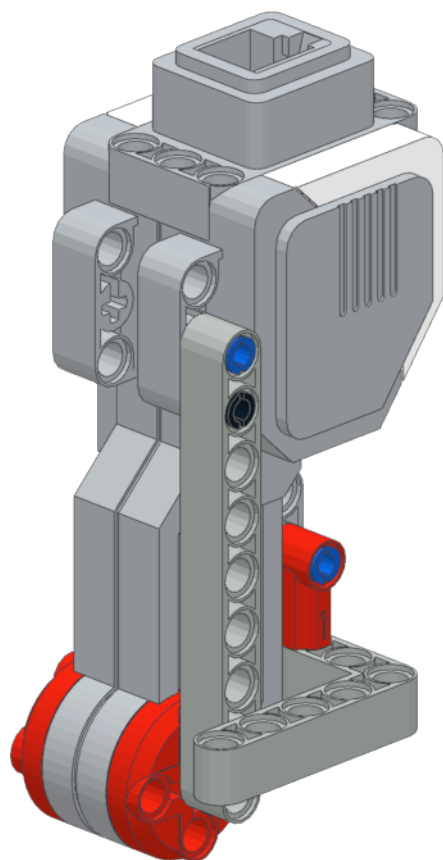
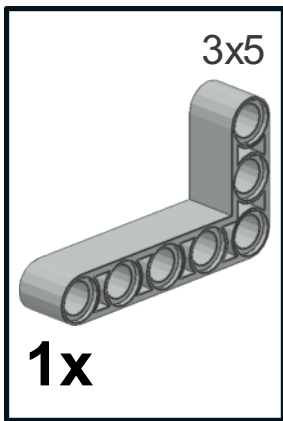
1x



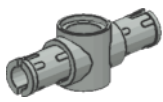
1x



4

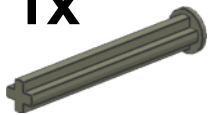


5

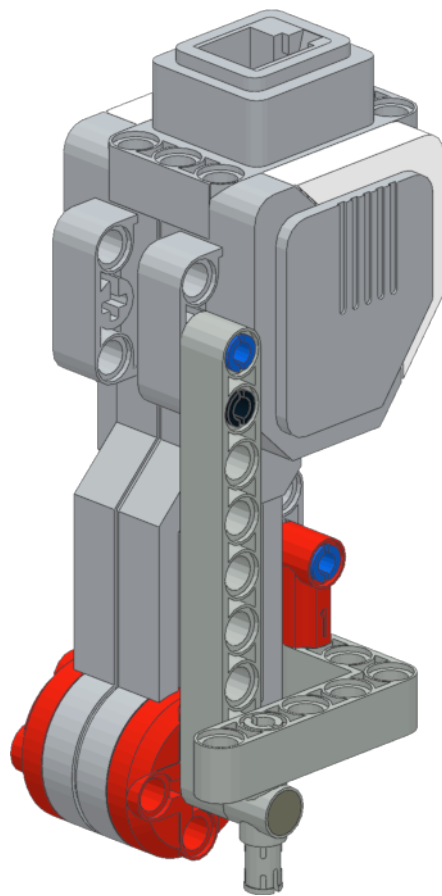


1x

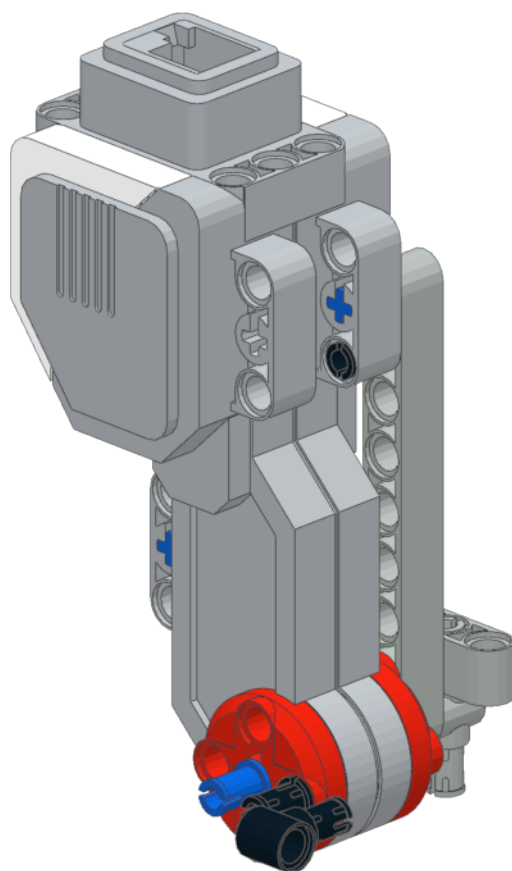
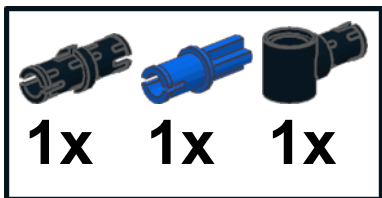
4



1x



6



7

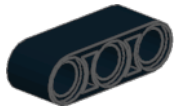


1x

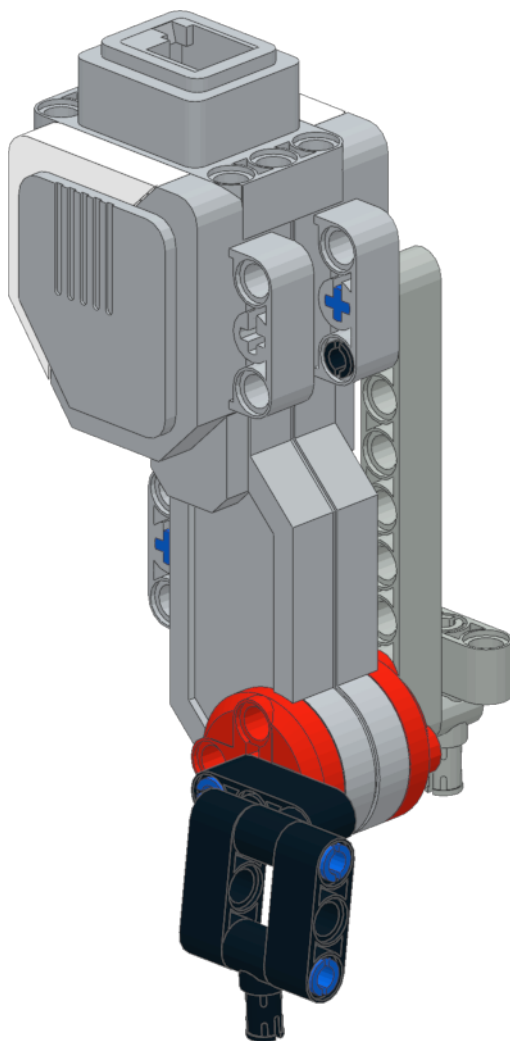


2x

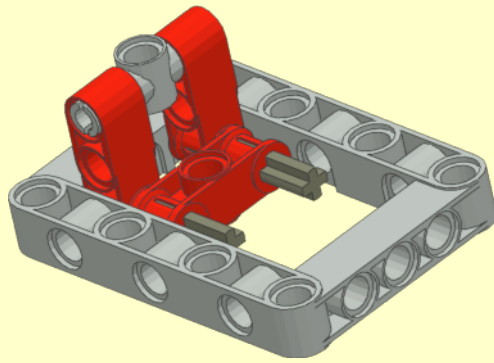
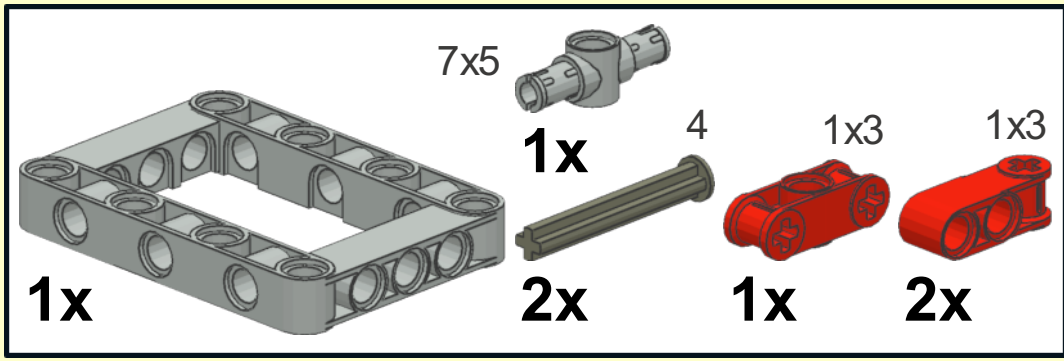
3

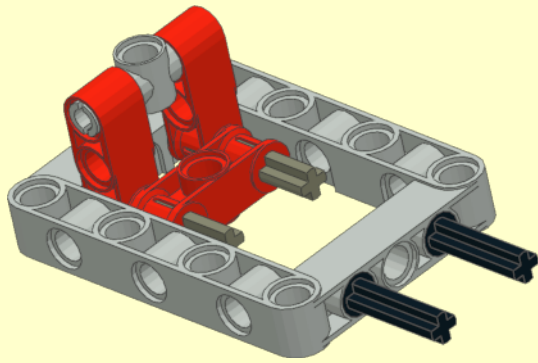
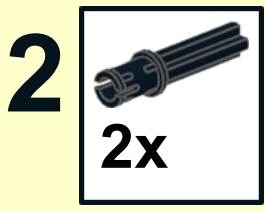


3x



1



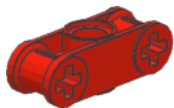


3

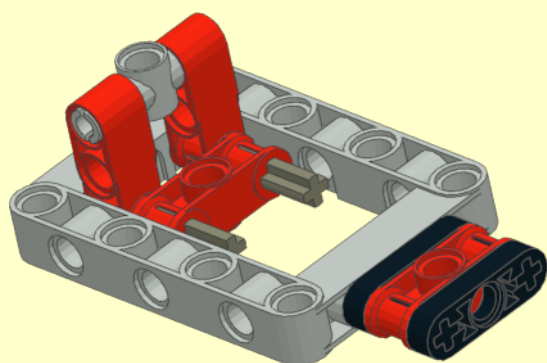
3x0.5



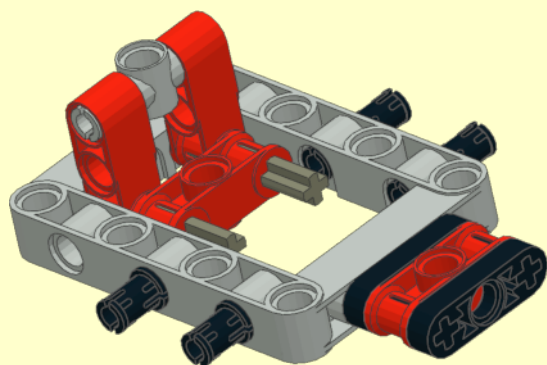
2x 1x3



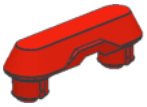
1x



4
4x



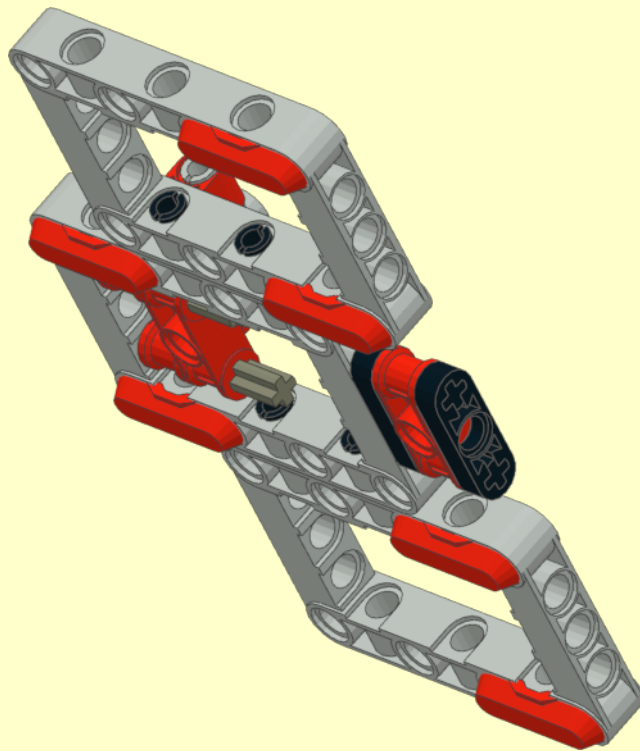
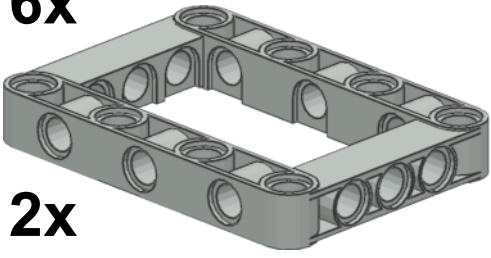
5



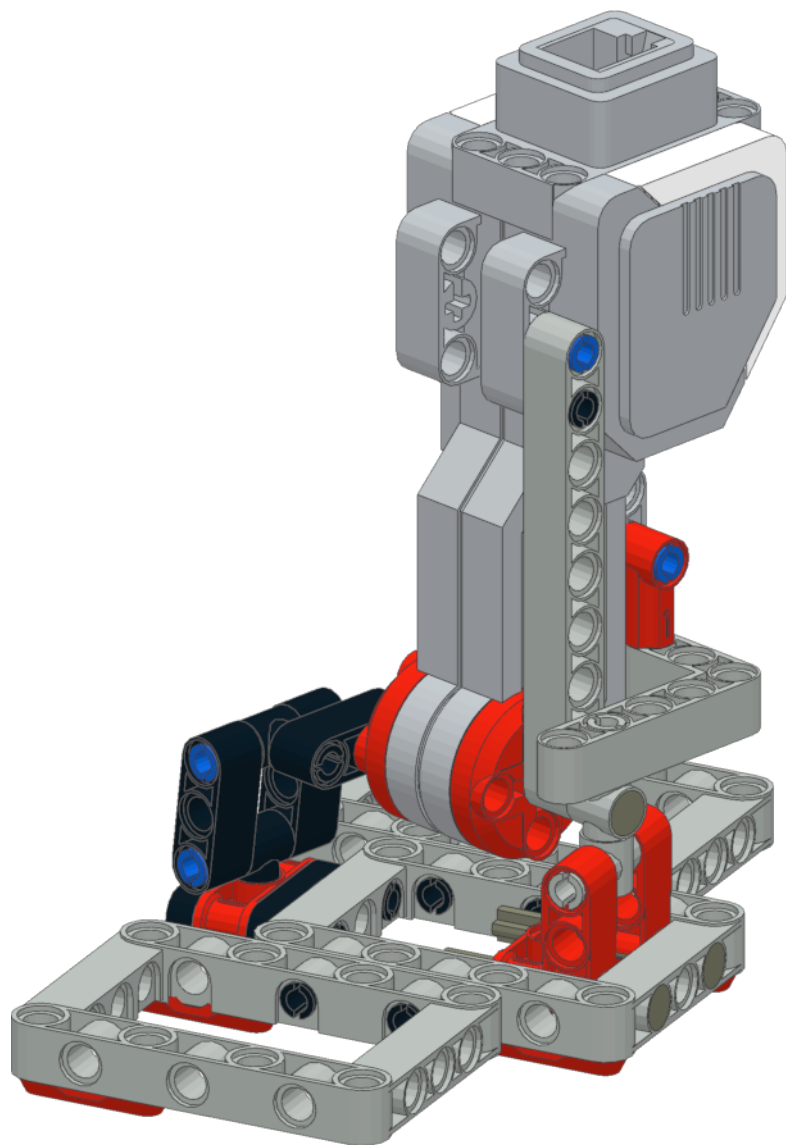
6x

7x5

2x



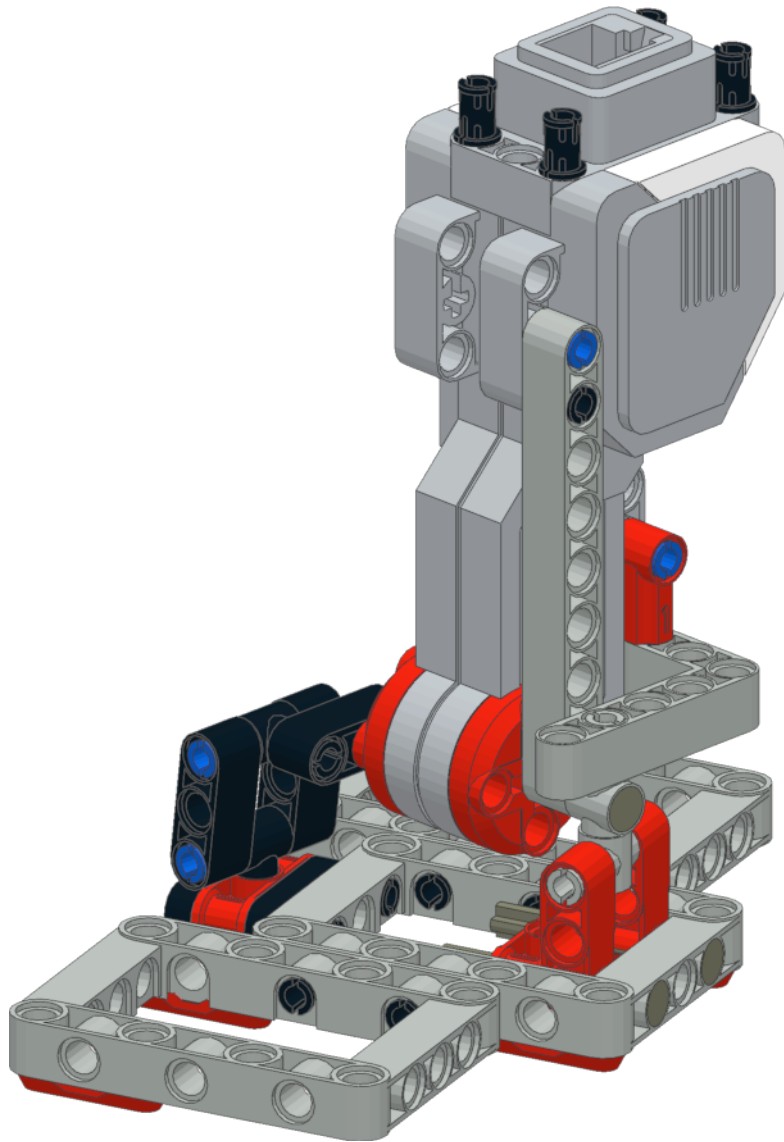
x2



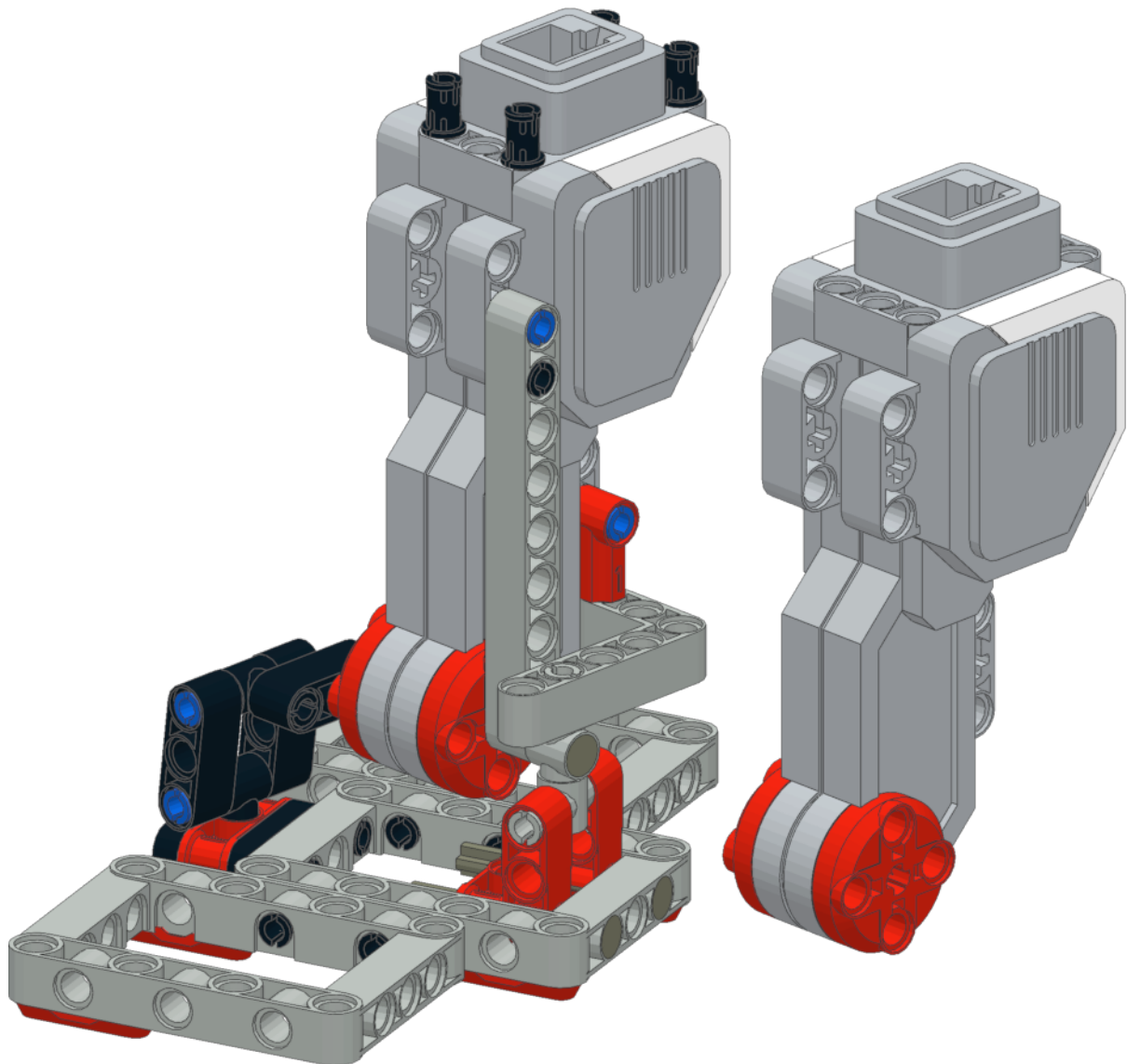
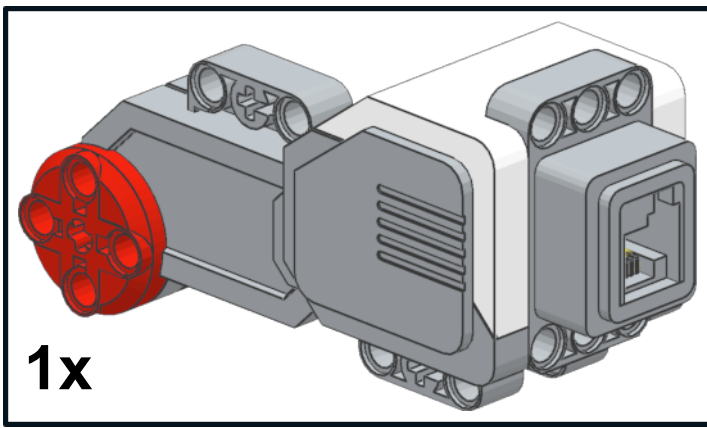
9



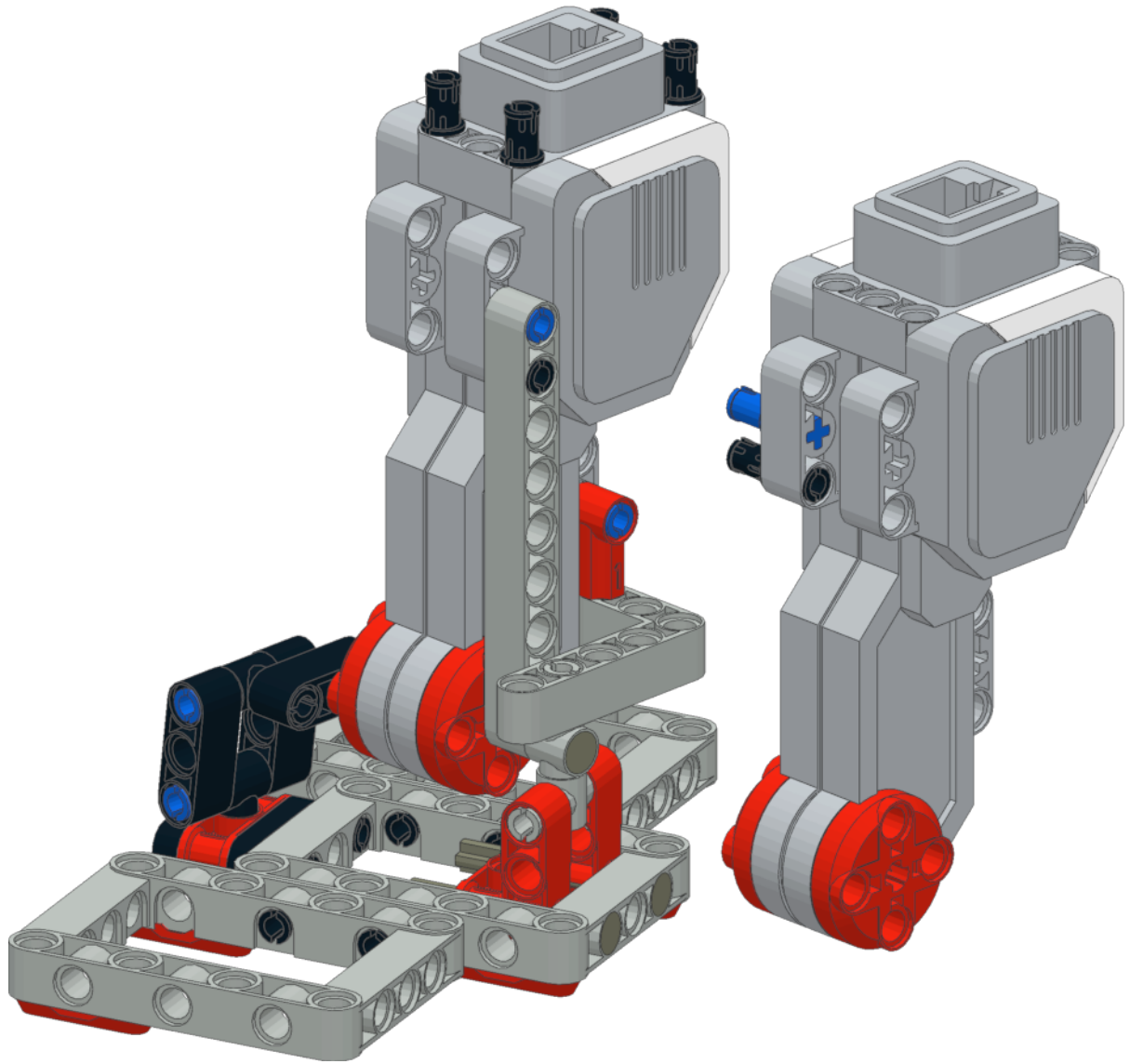
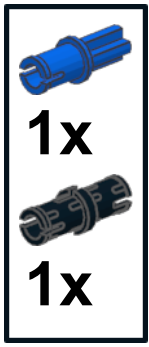
4x



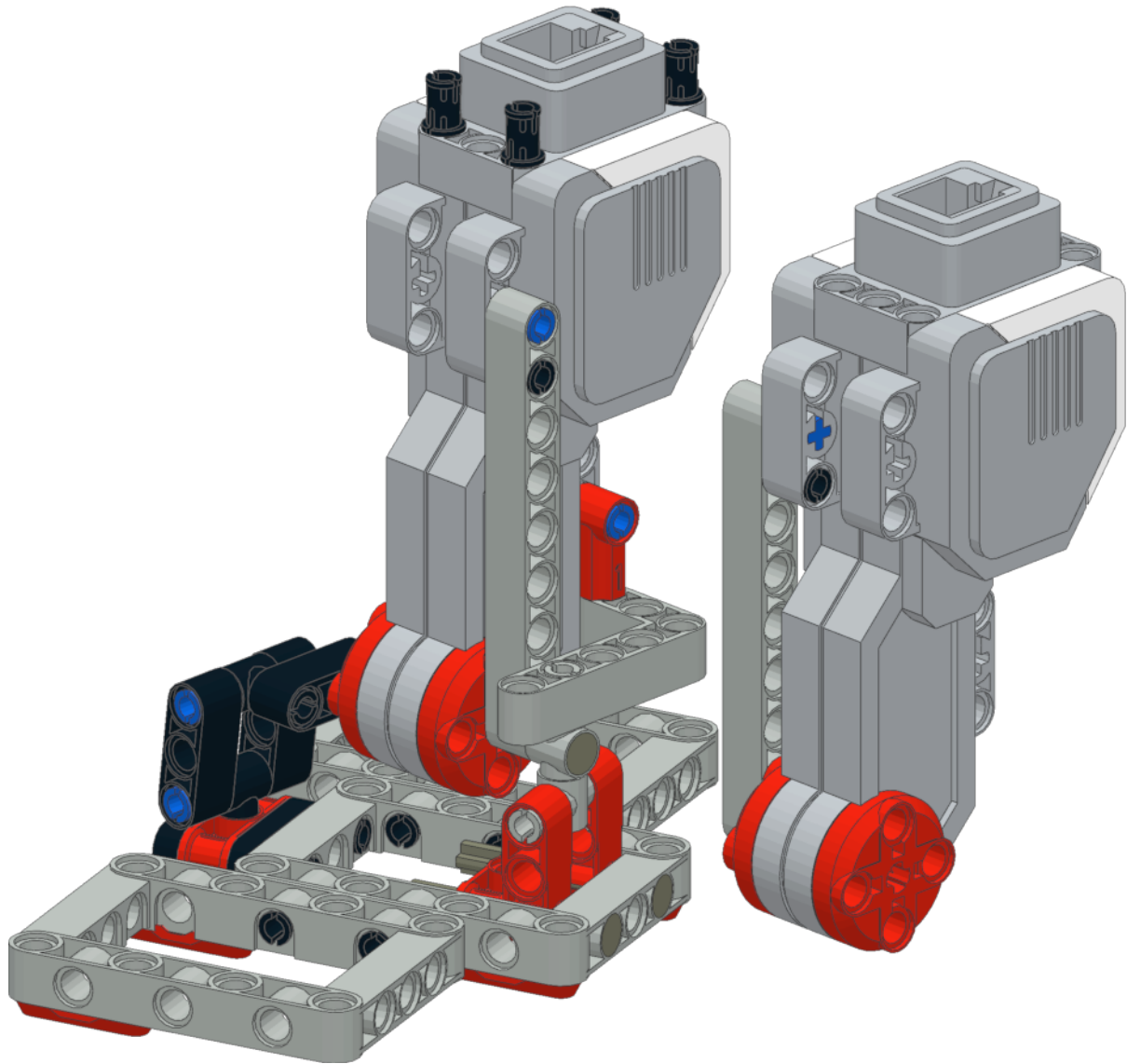
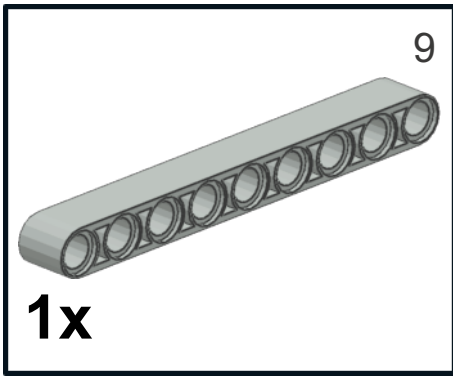
10



11



12



13

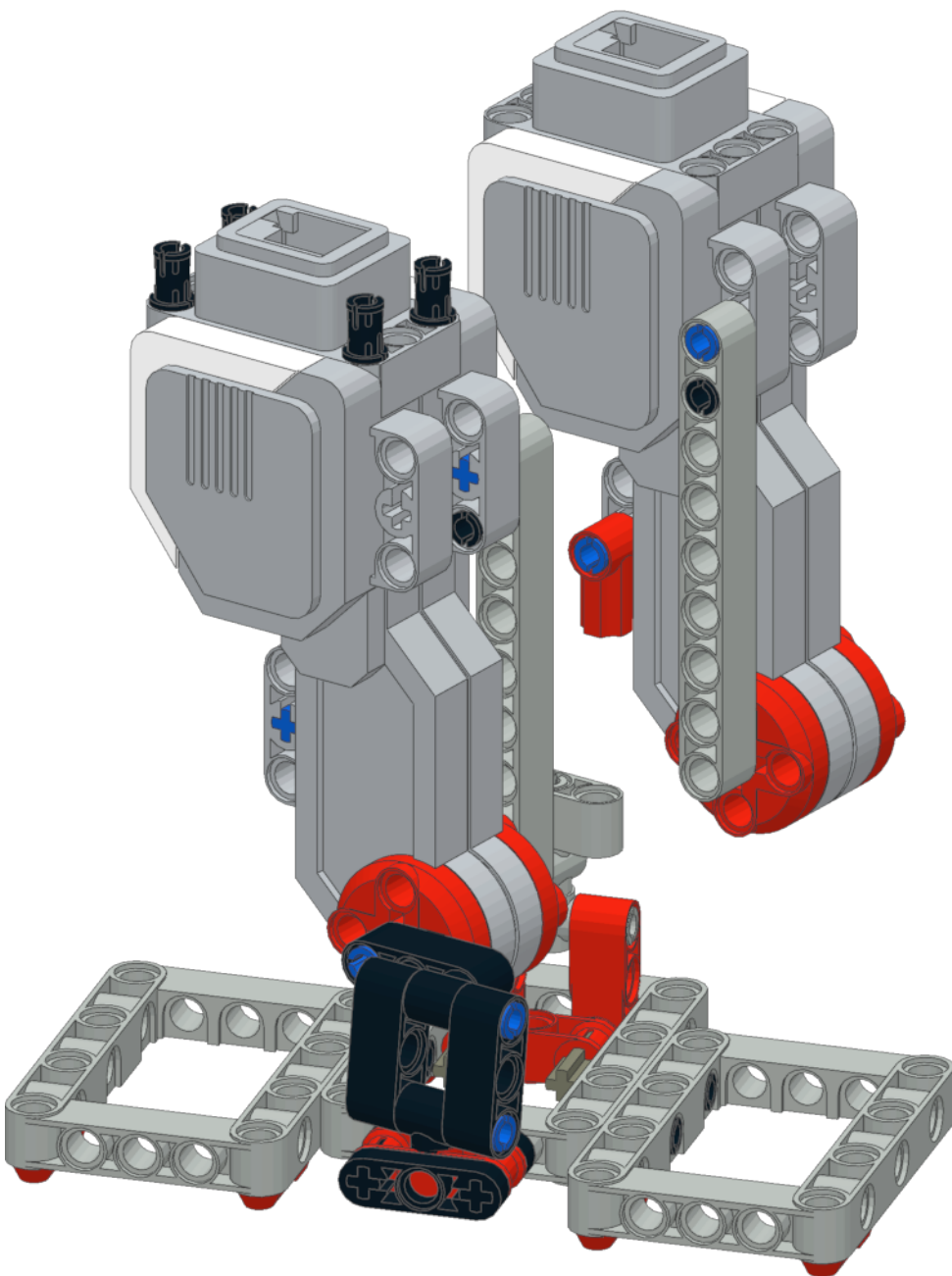
#1



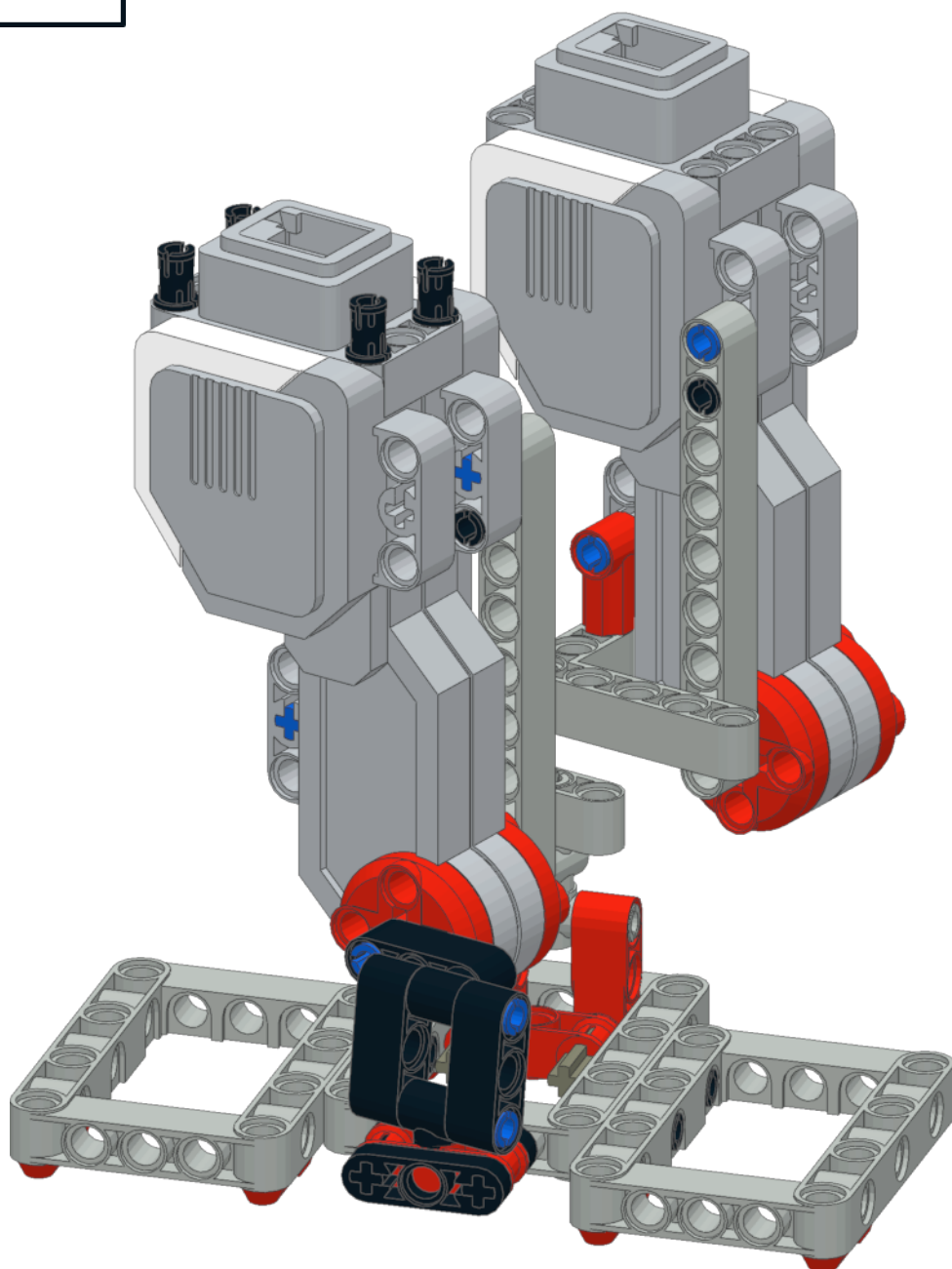
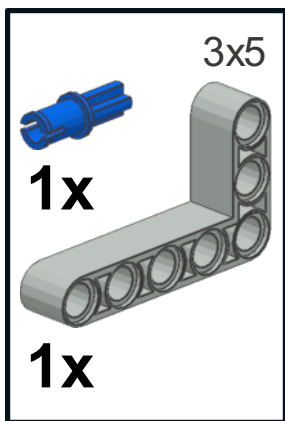
1x



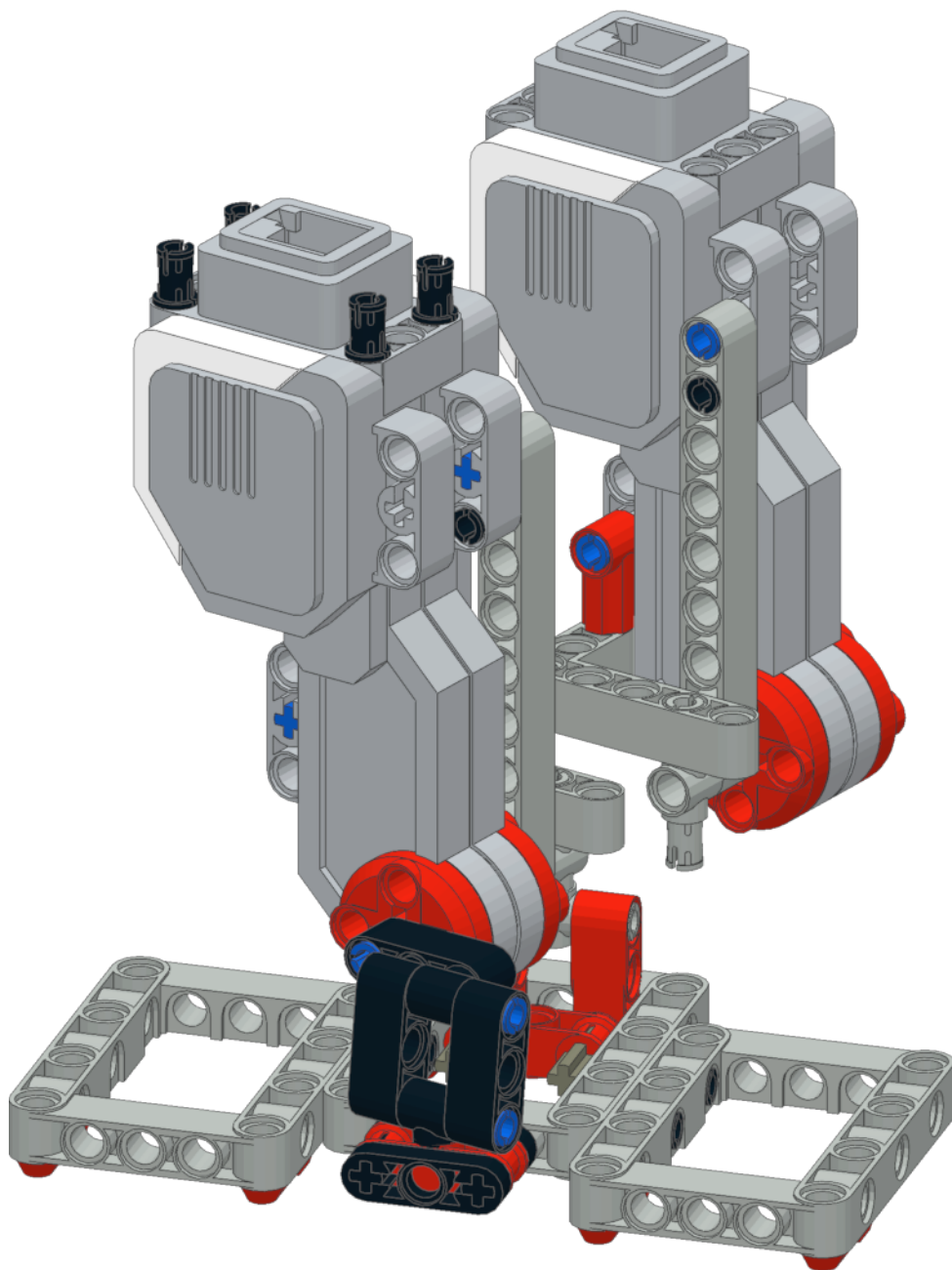
1x



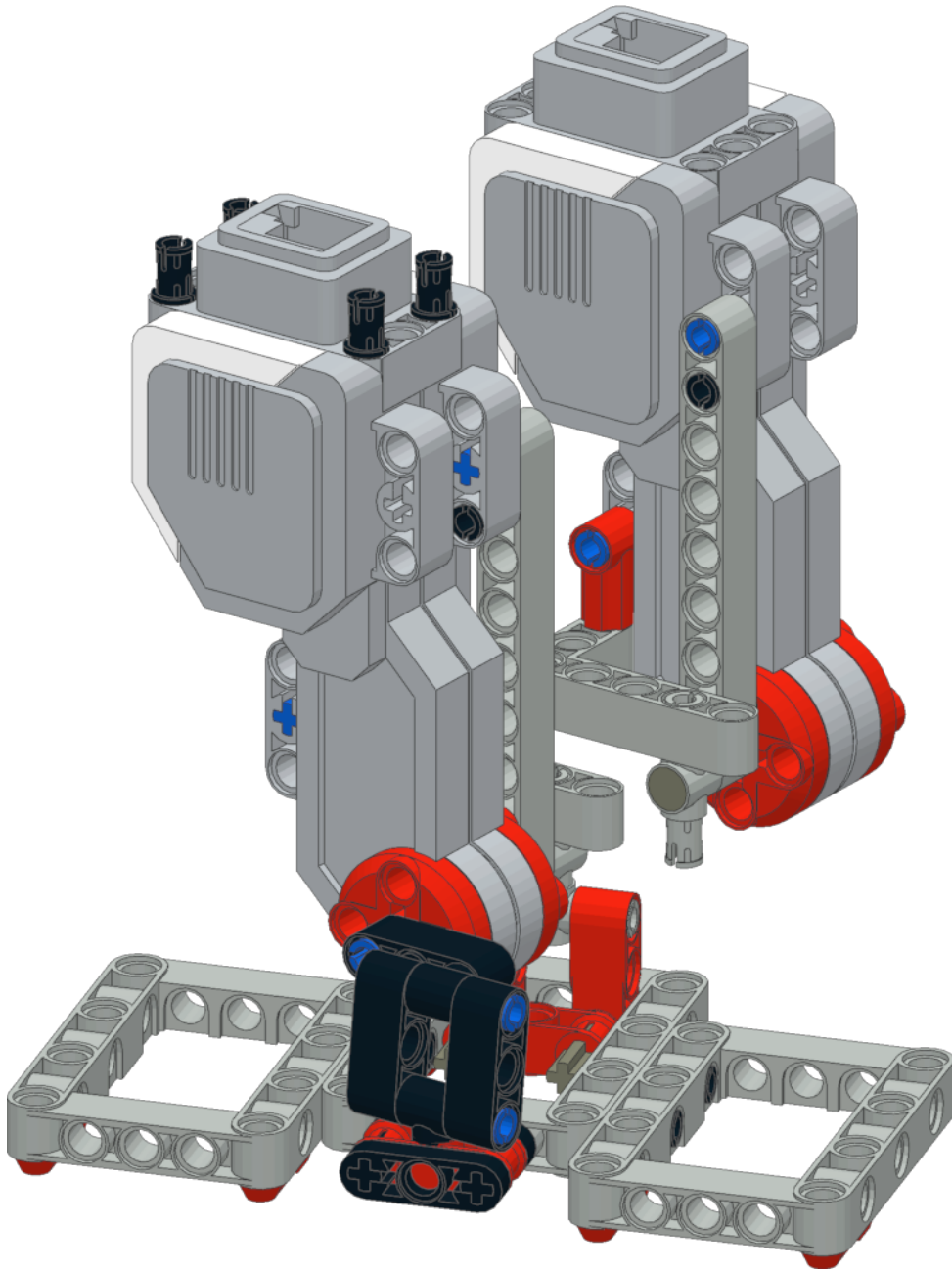
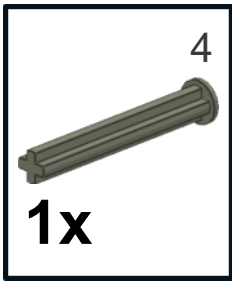
14





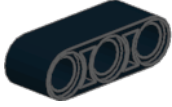

15

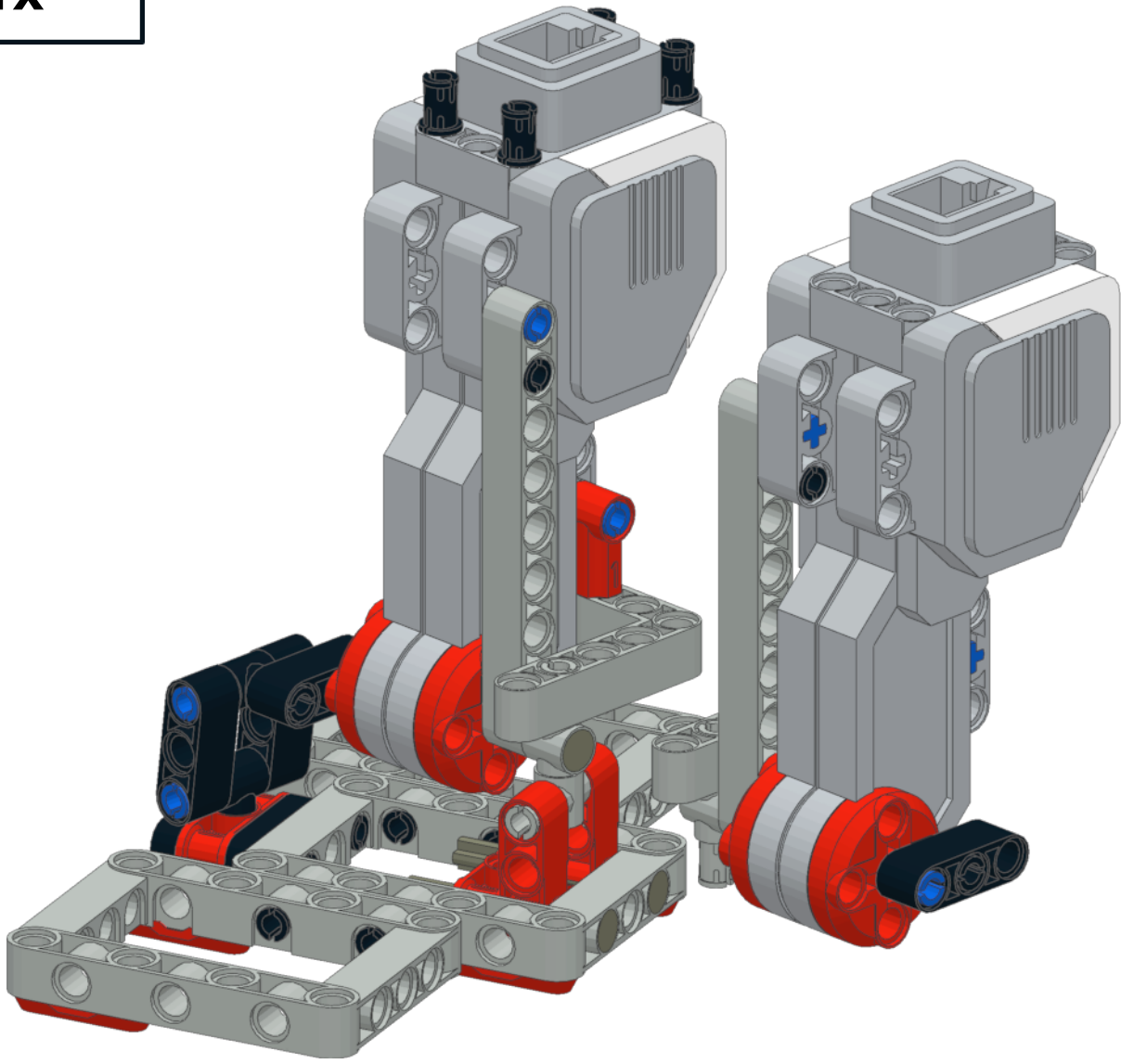


16

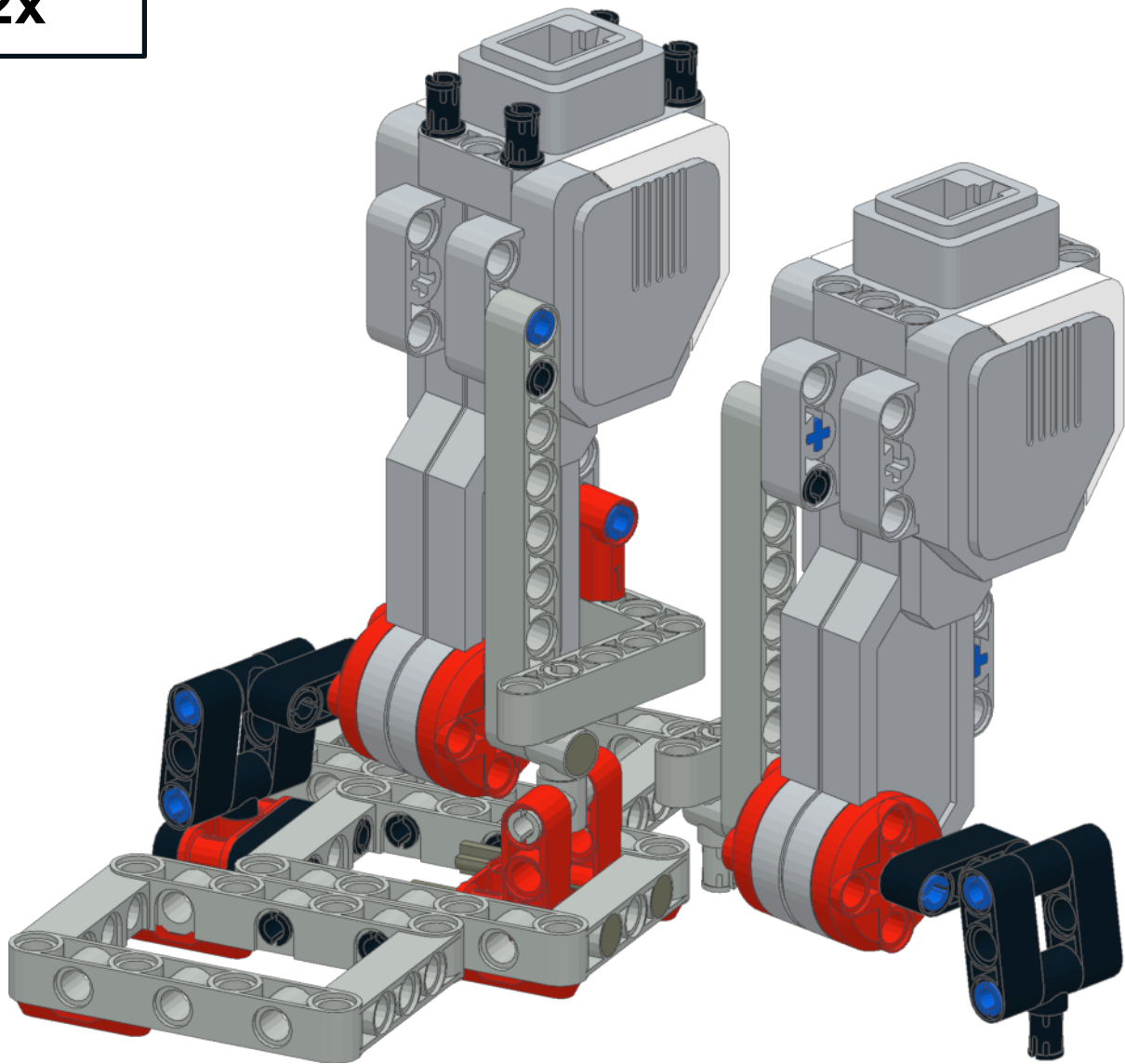


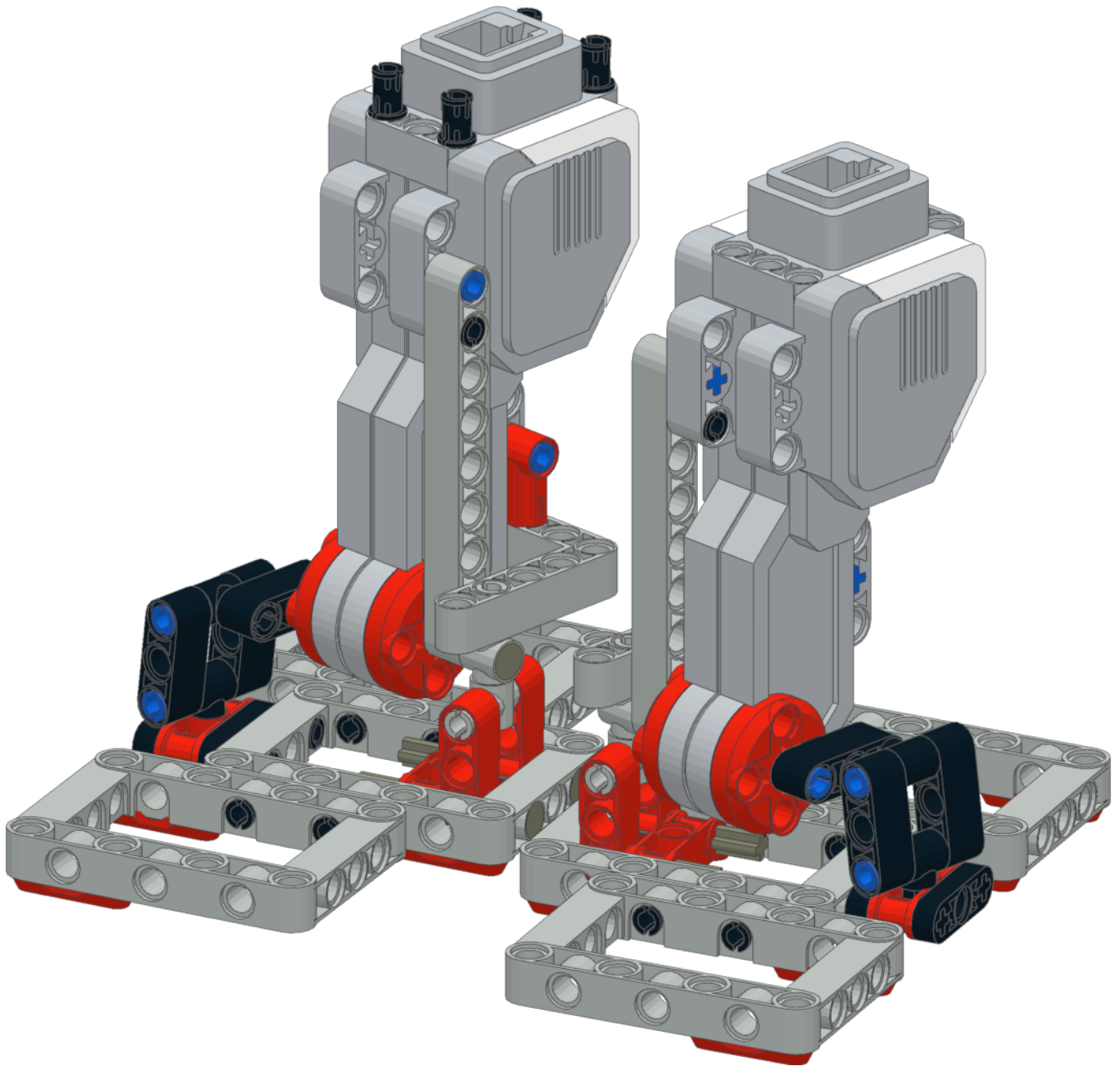
17

- 
1x
- 
1x
- 
1x
-  3

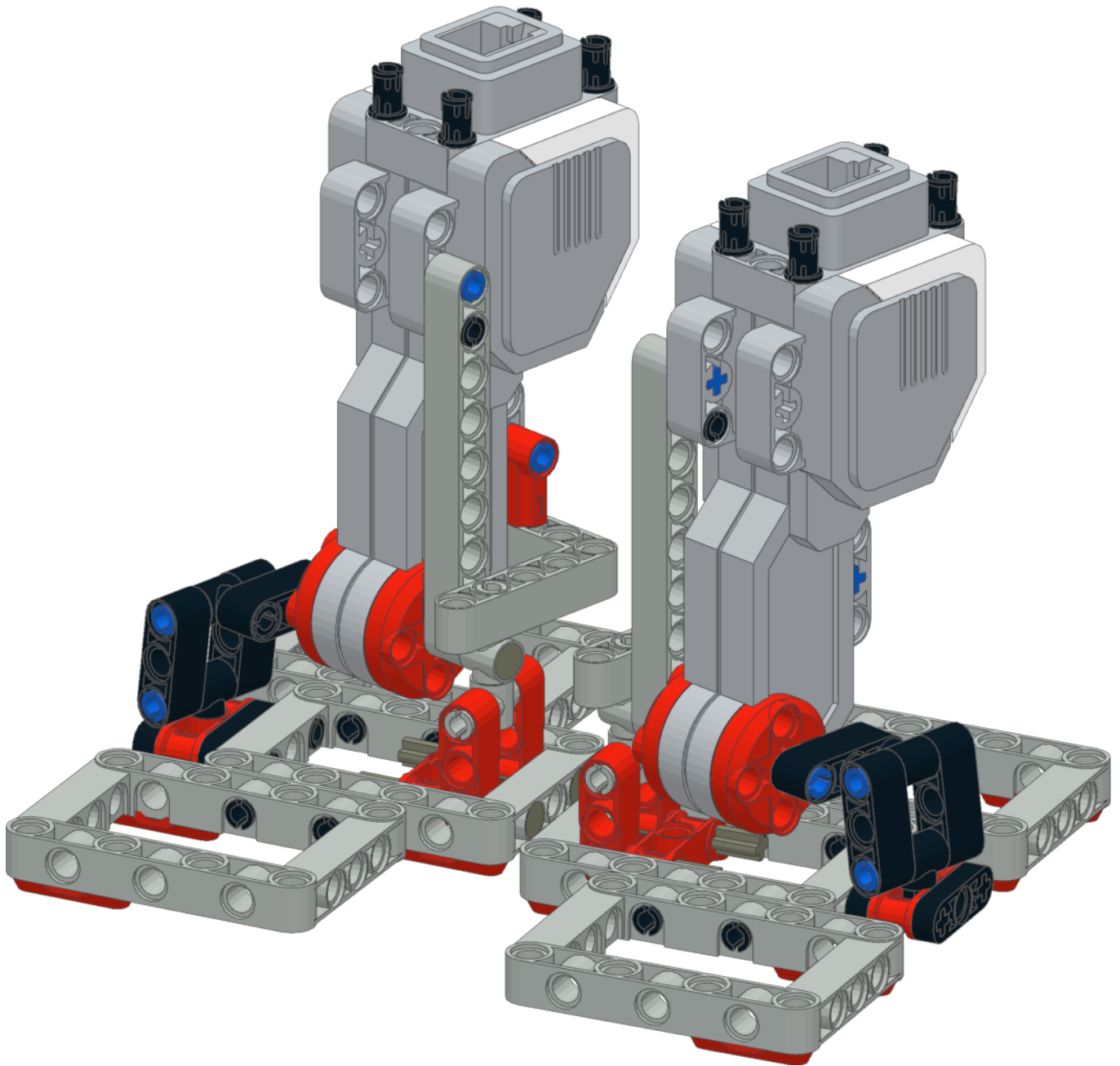


18

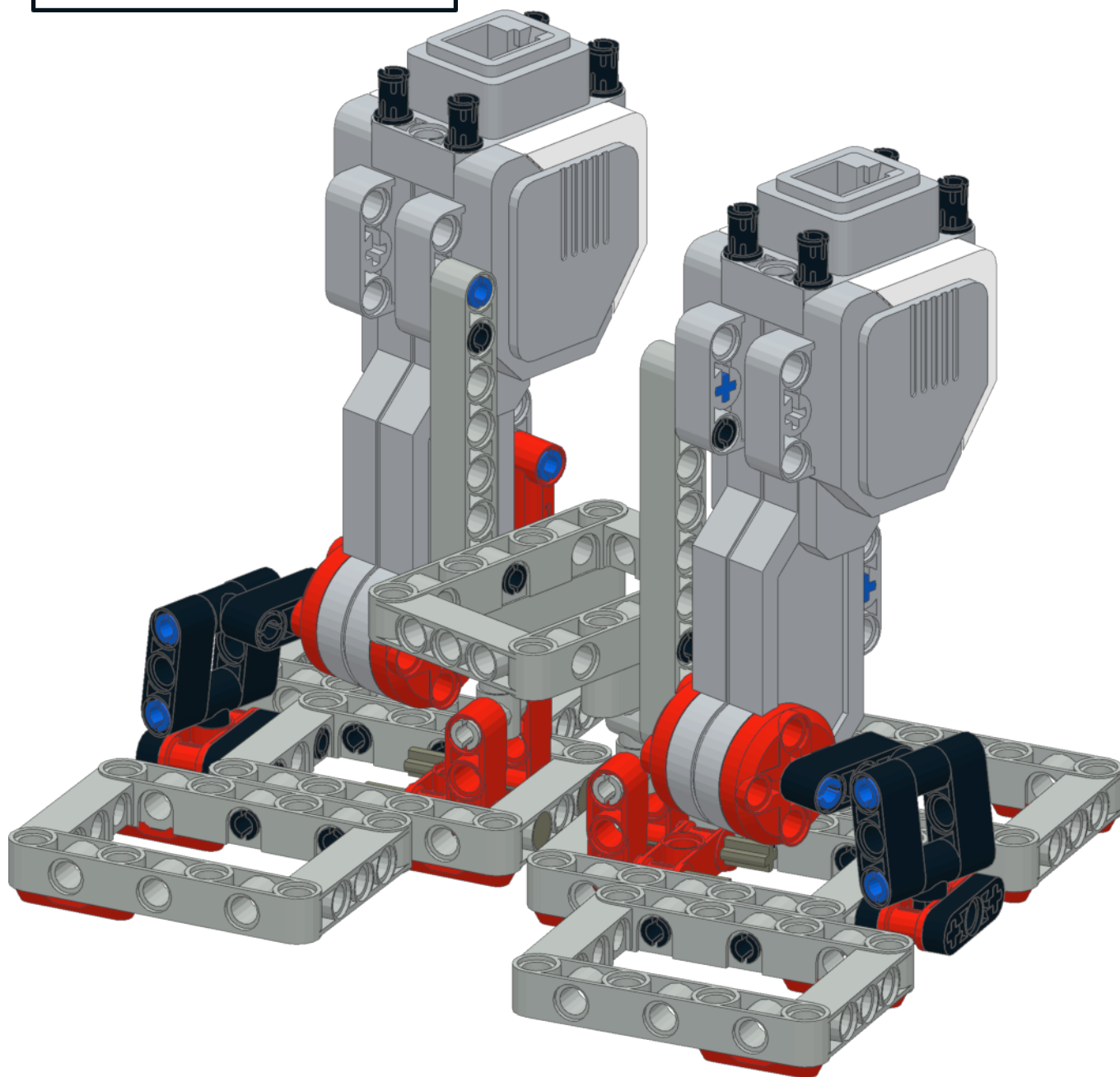
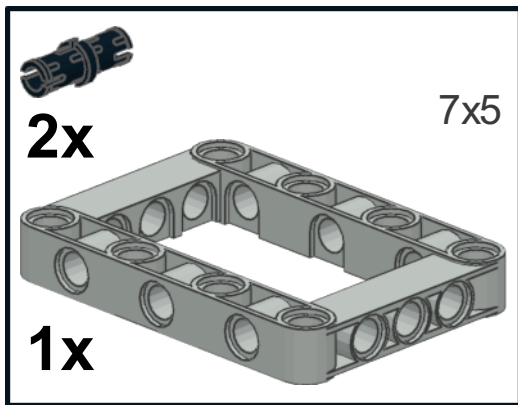




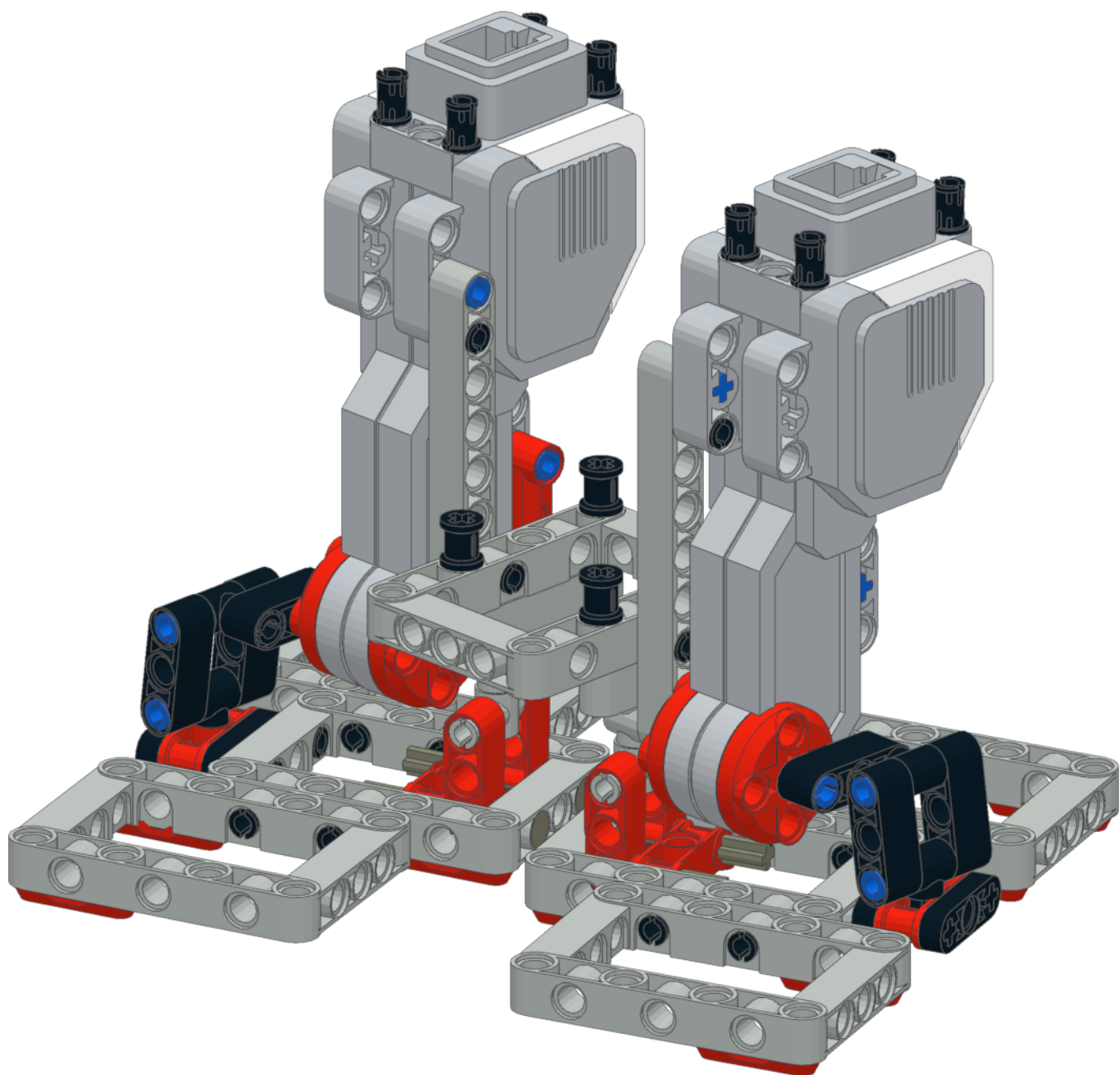
20



21

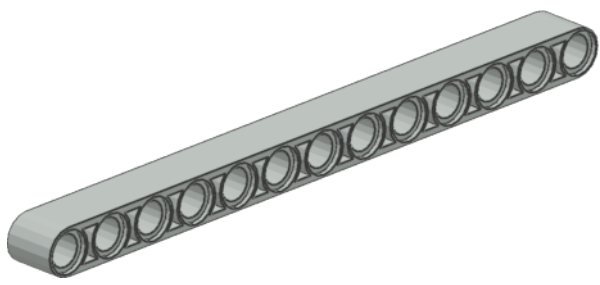


22

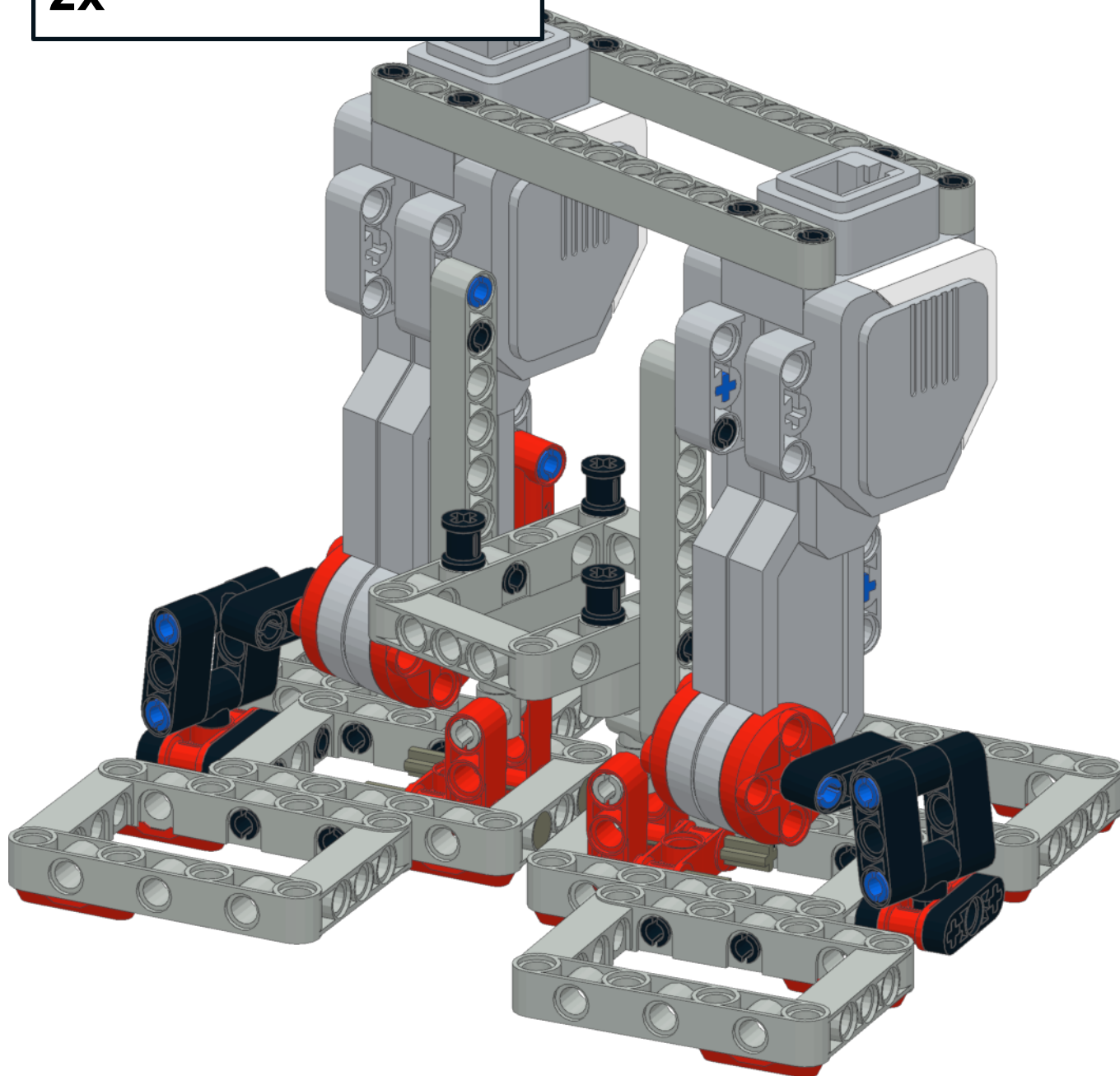


23

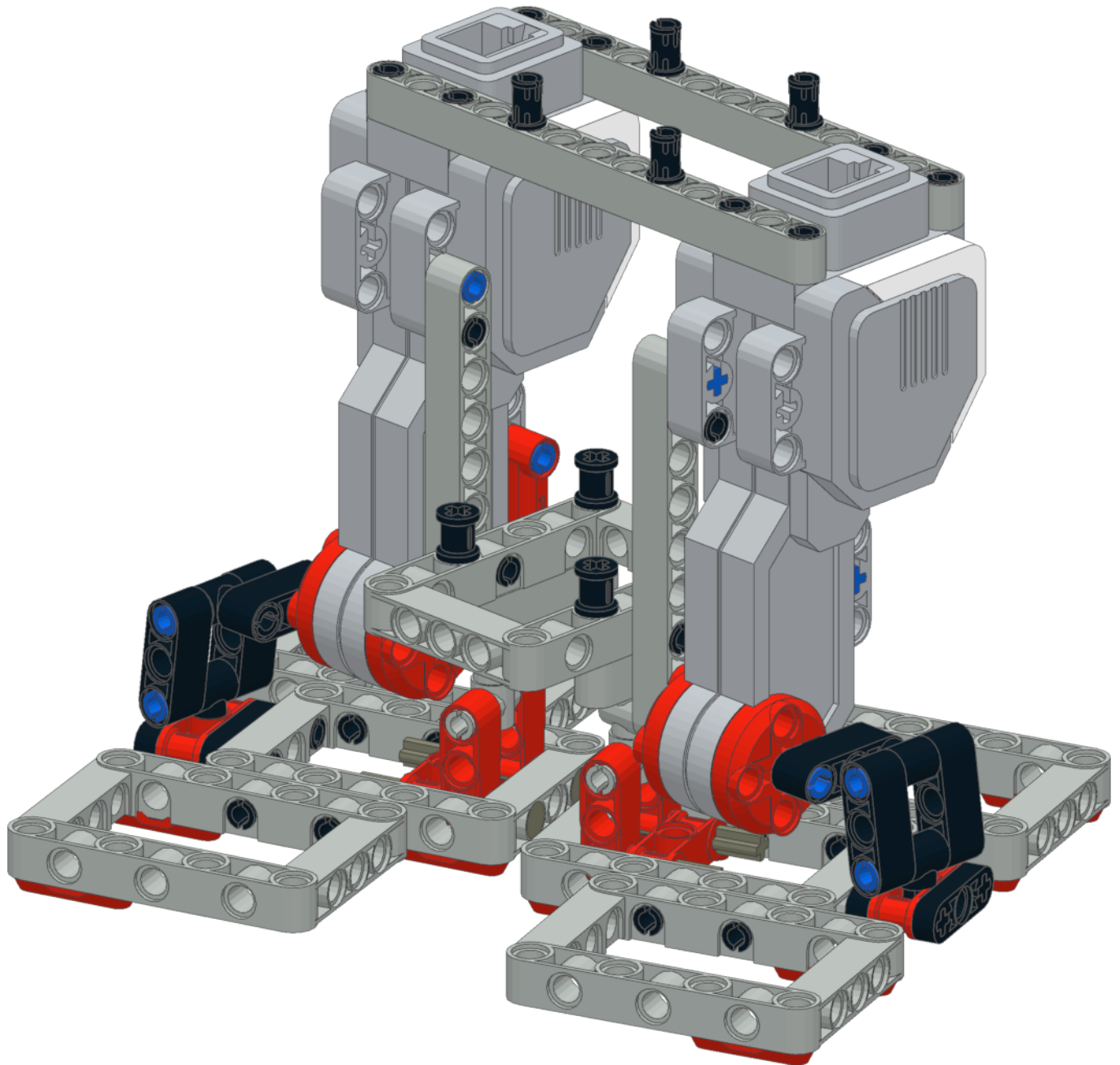
13



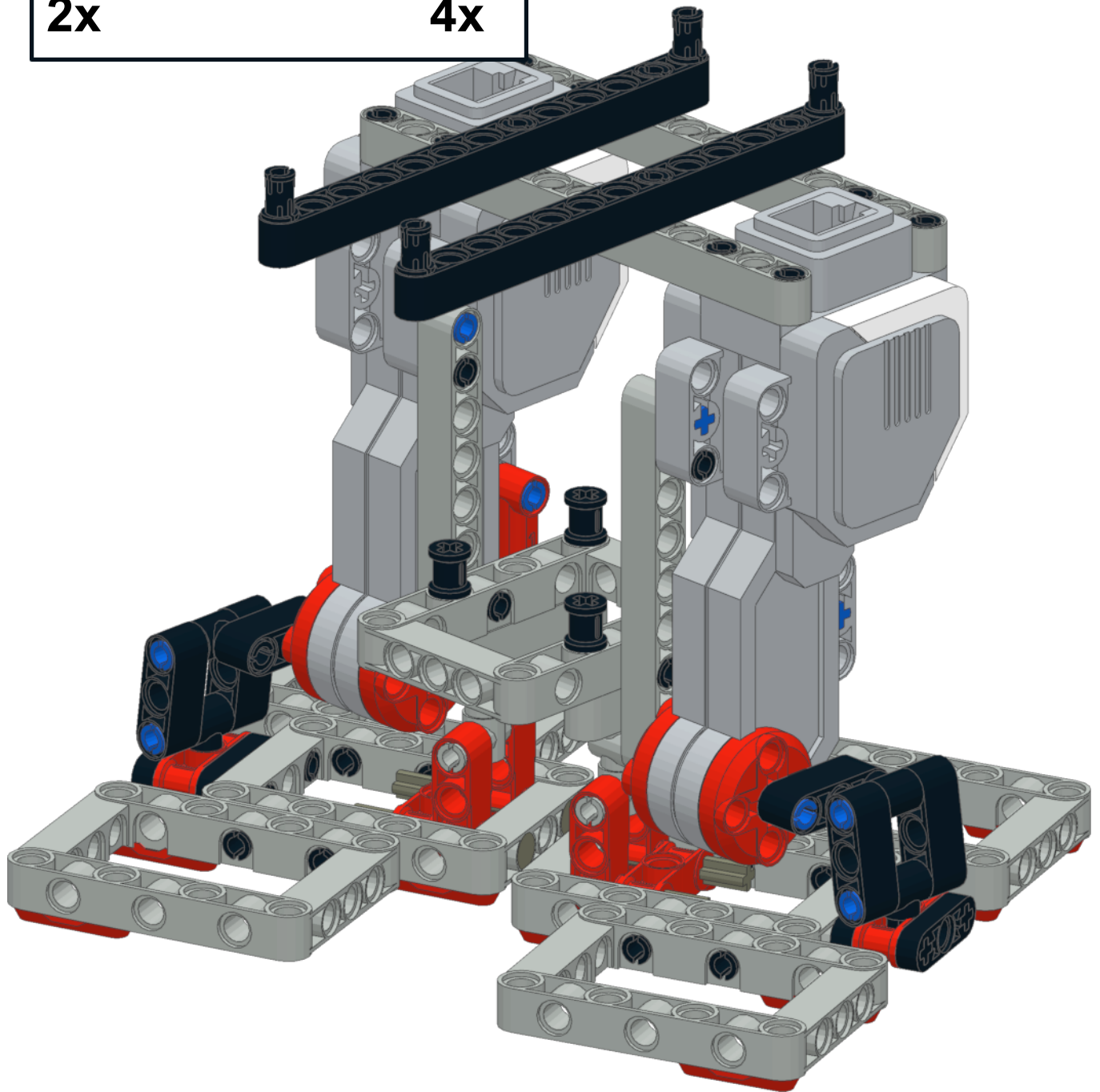
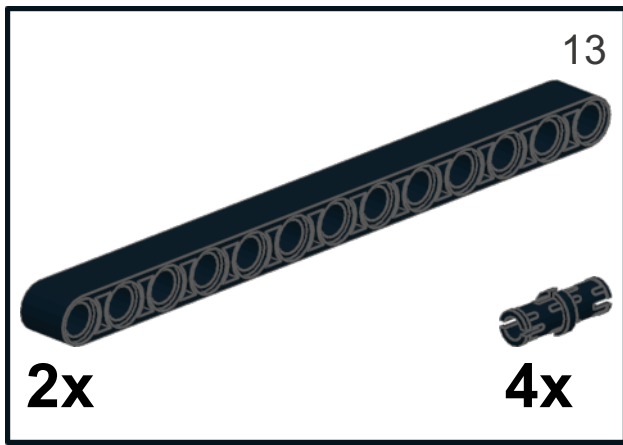
2x



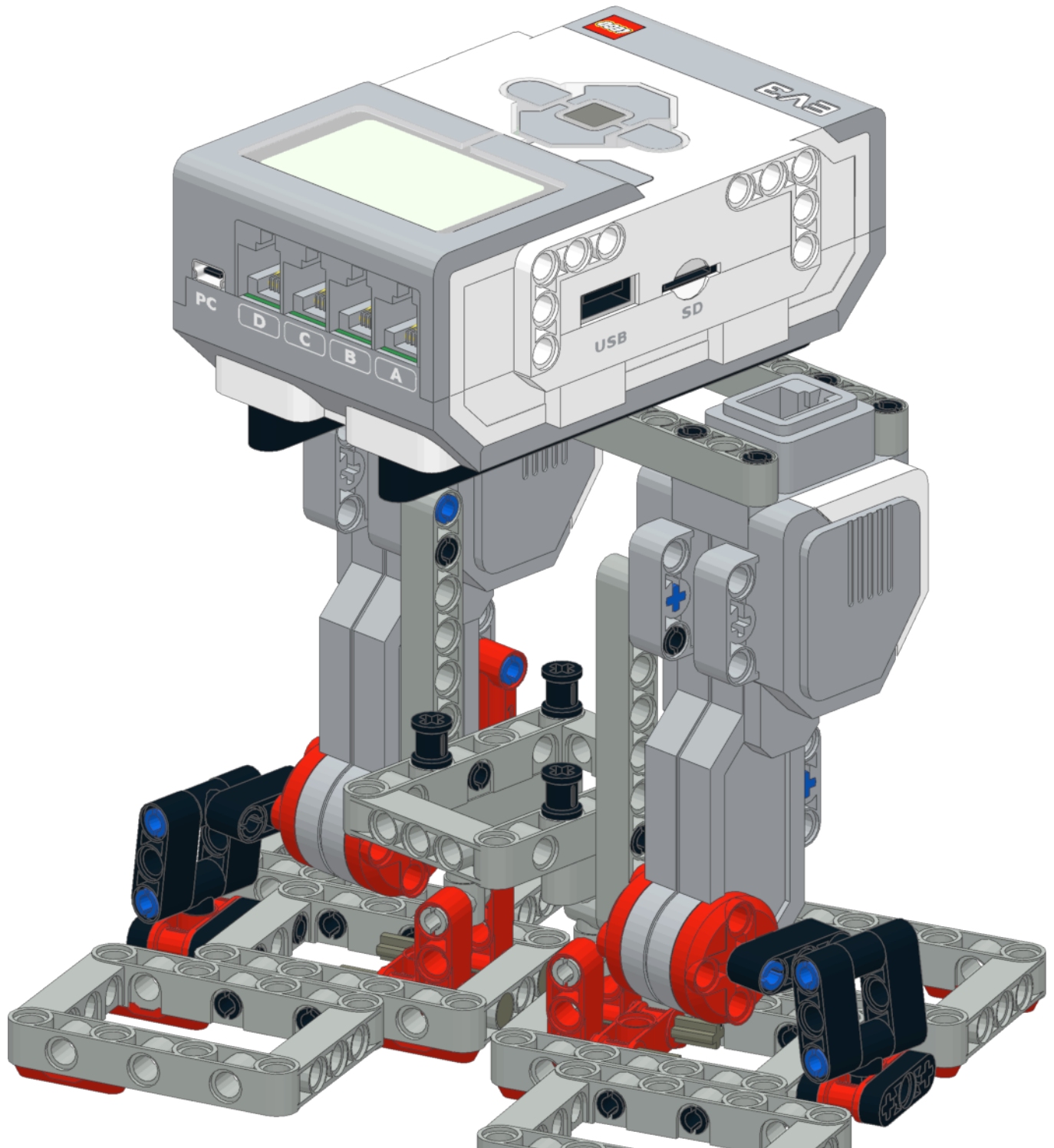
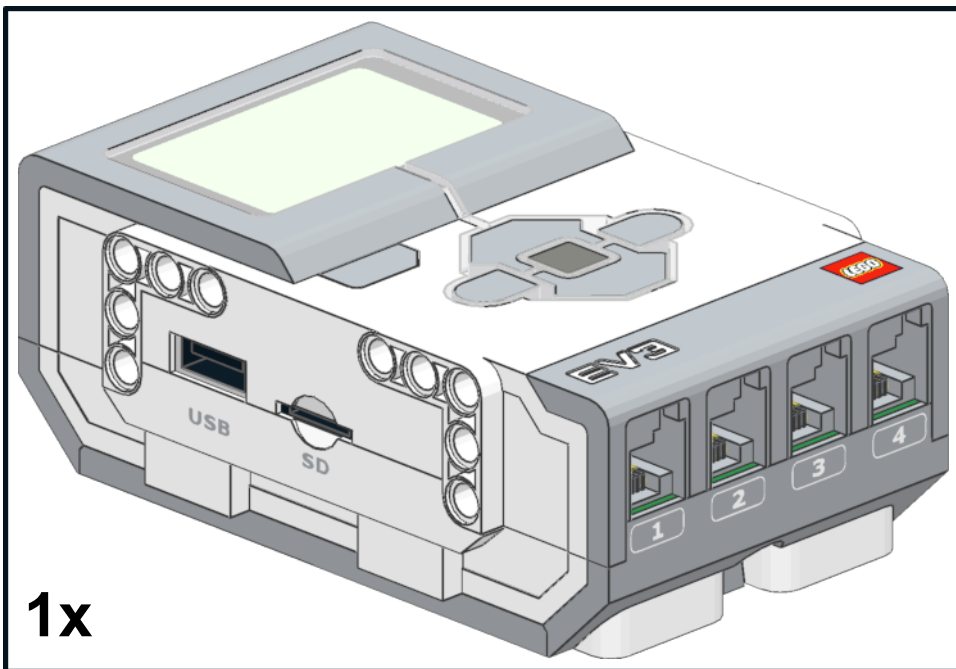
24



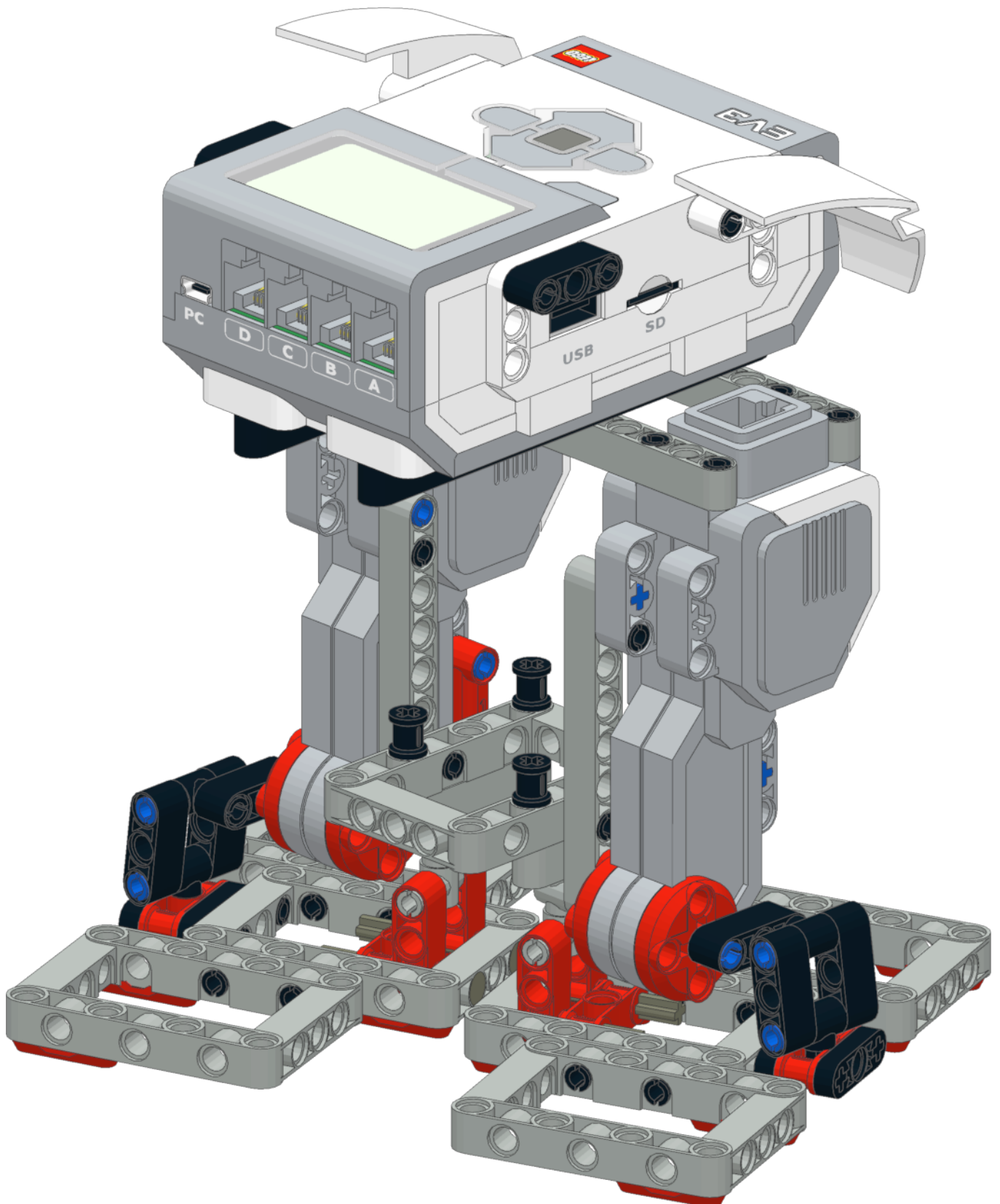
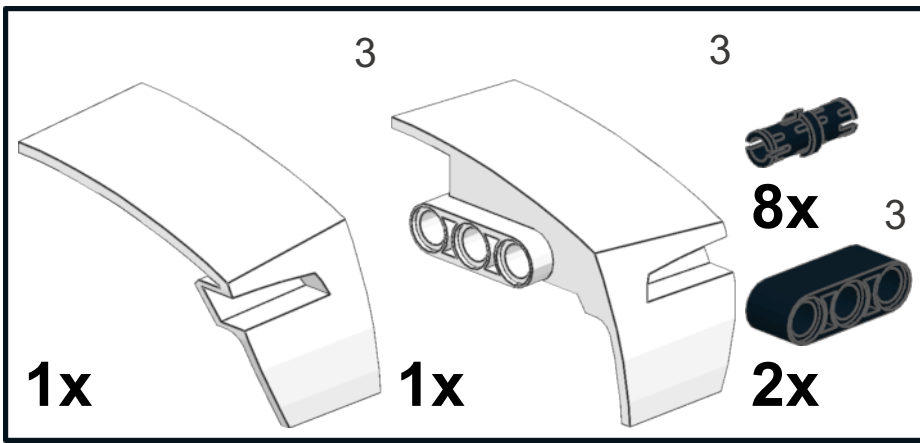
25



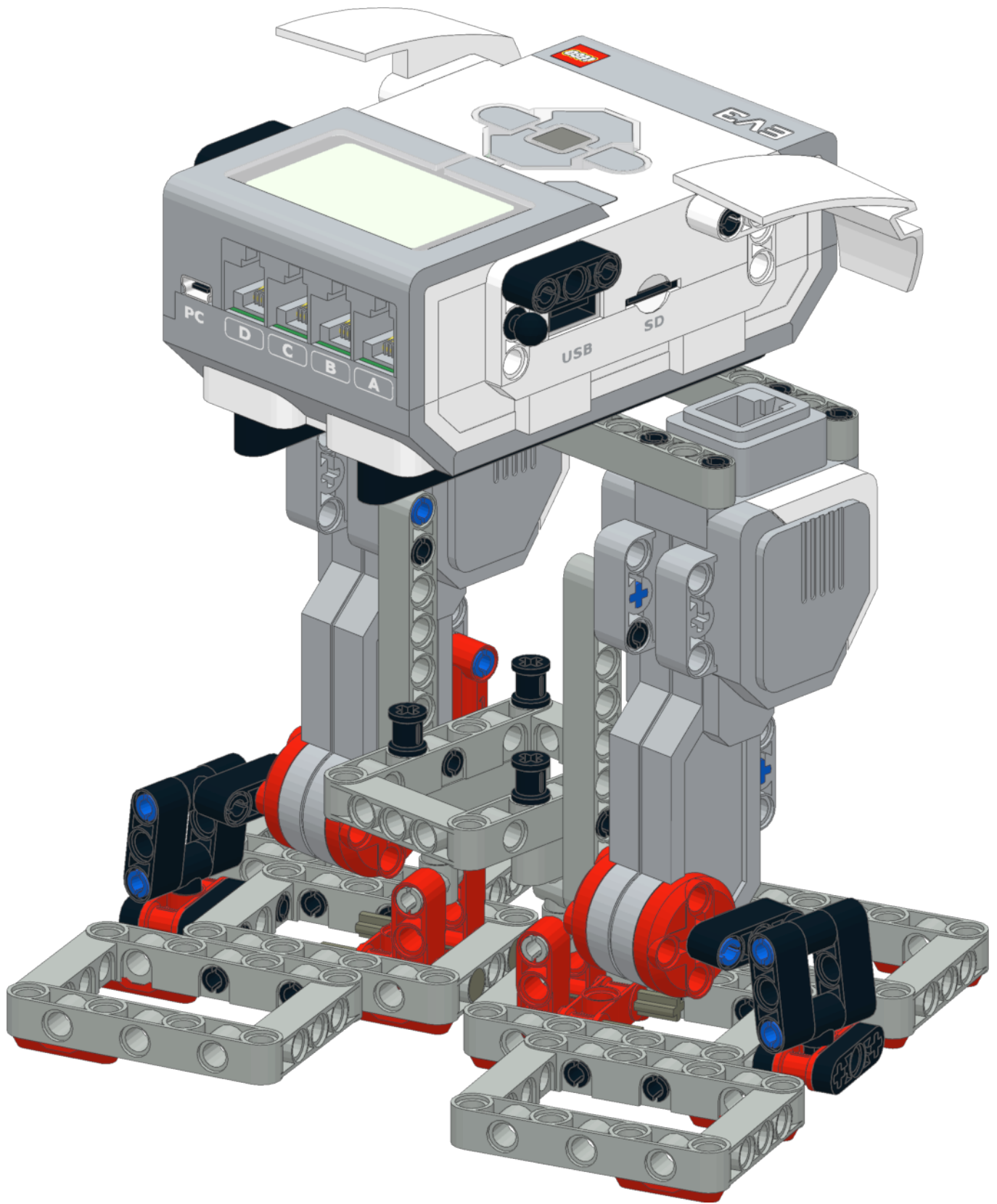
26



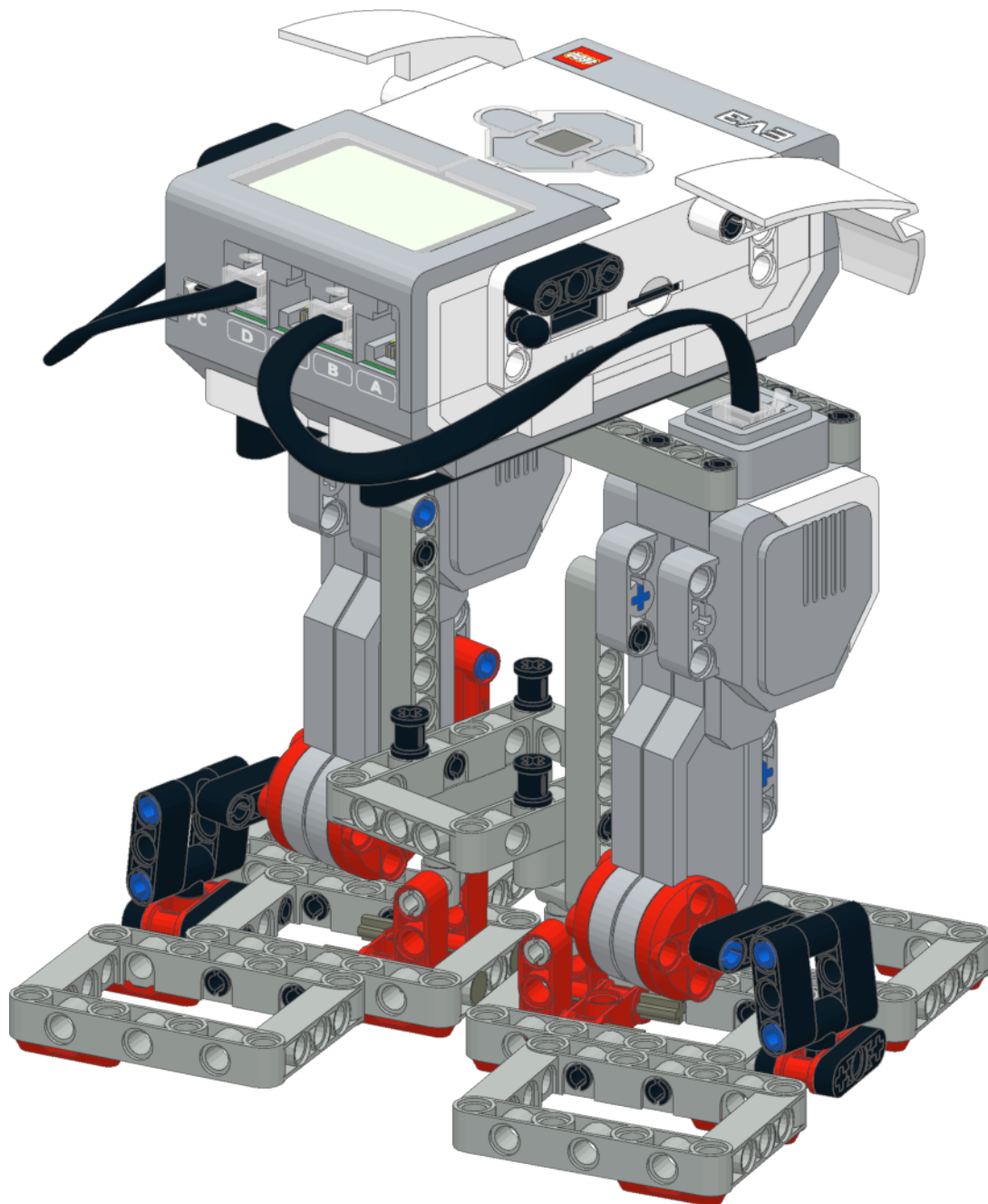
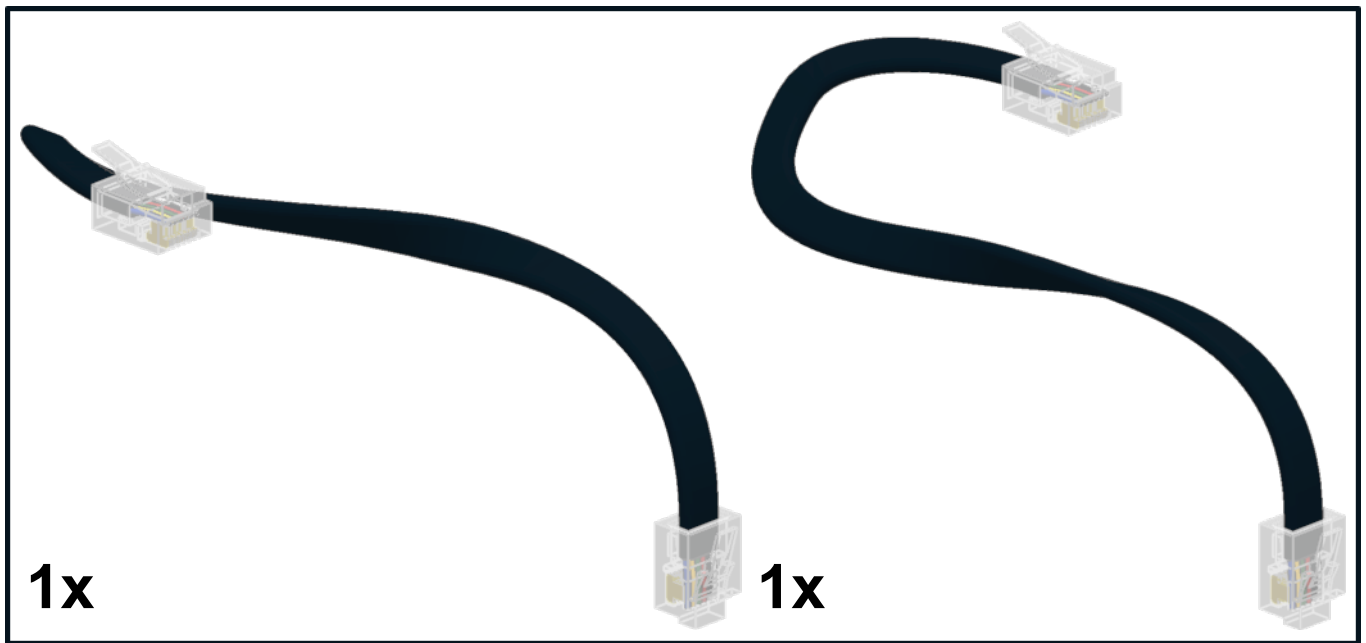
27



28



29



See photos for cable routing

