

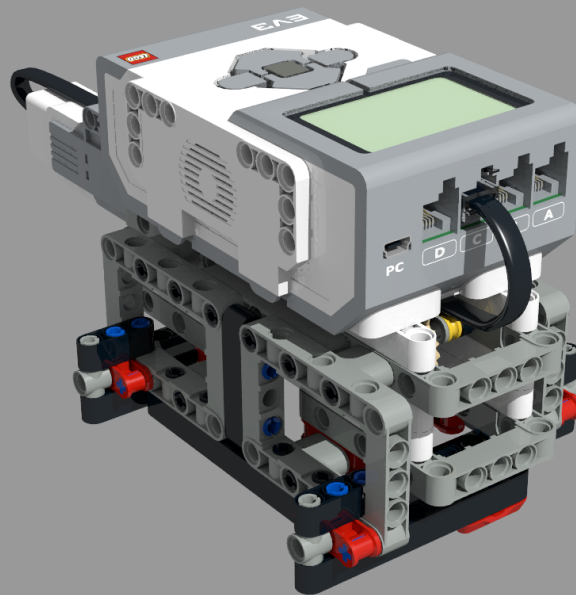
STOMP3R

A biped walker without weight shifting
using one medium motor

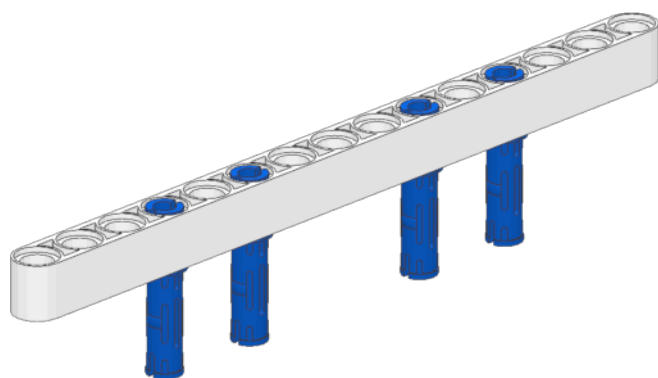
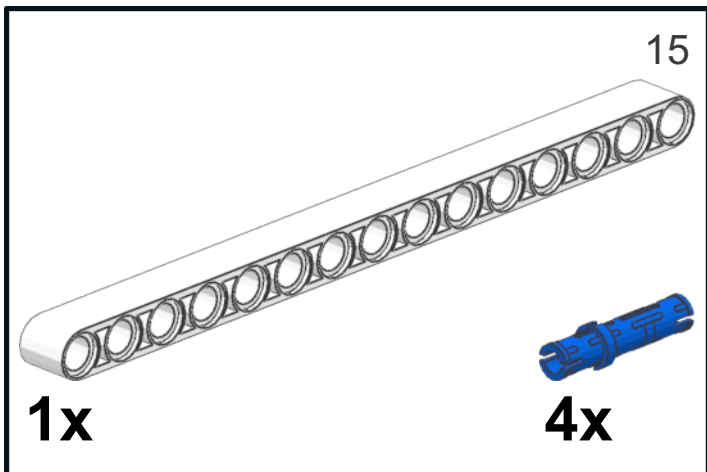
by

Stu Nicholls

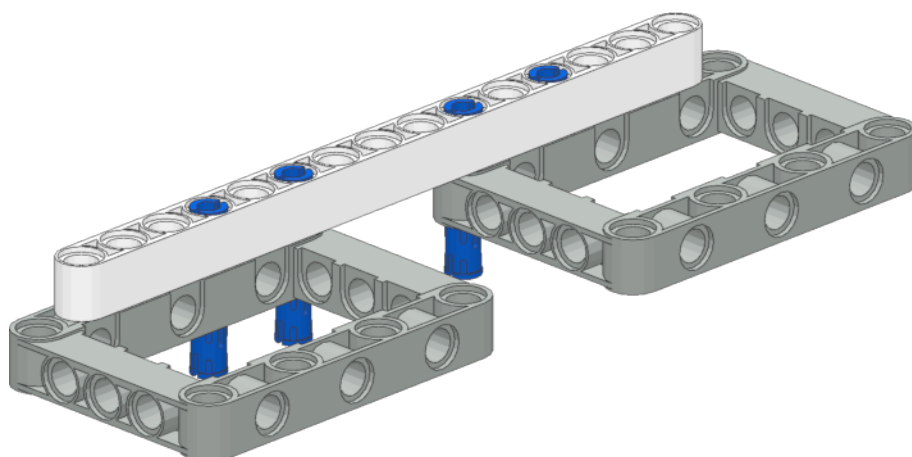
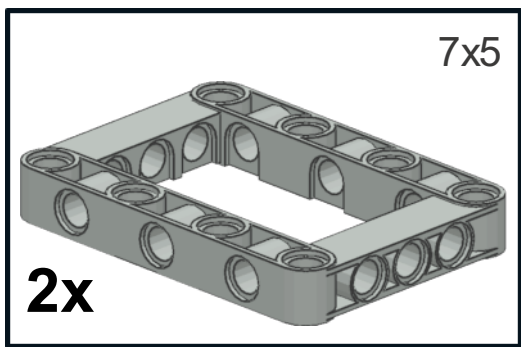
<http://www.stunicholls.com>



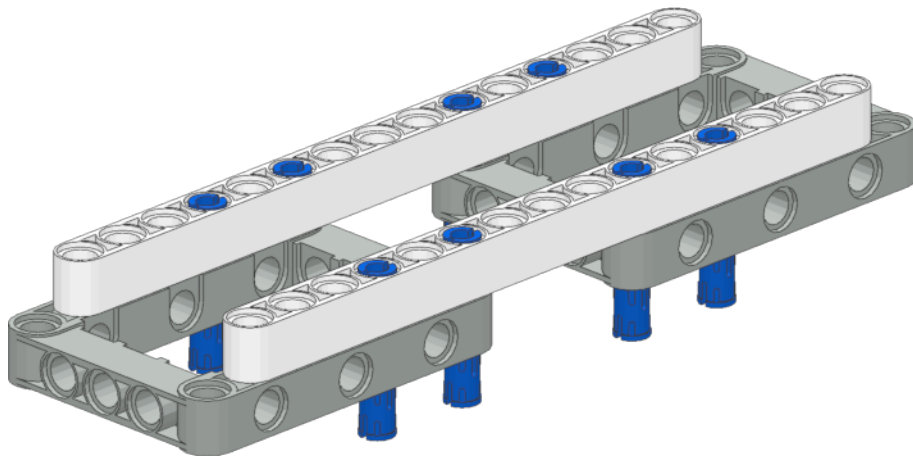
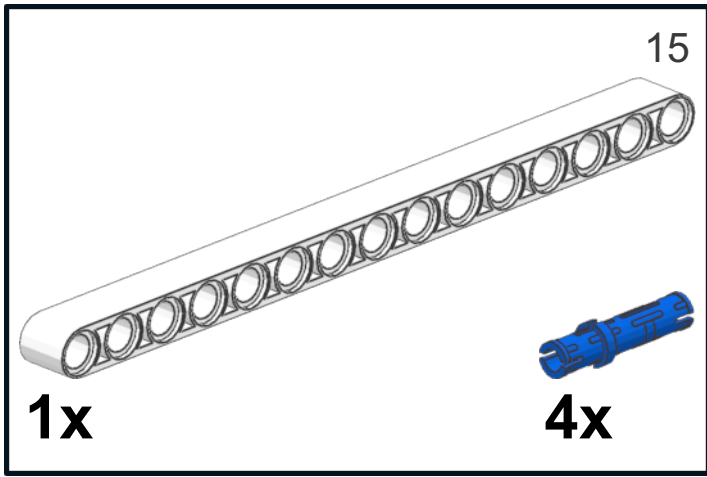
1



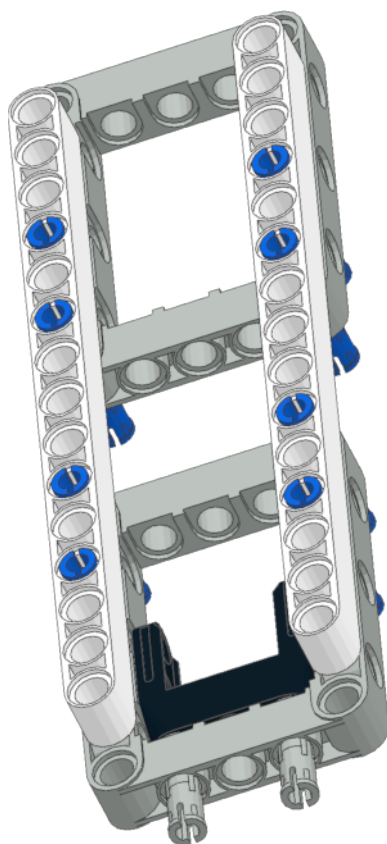
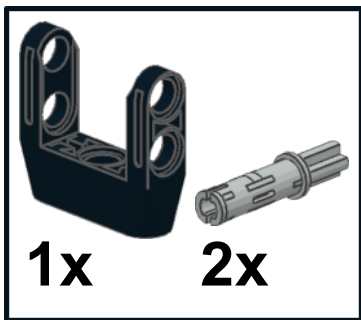
2



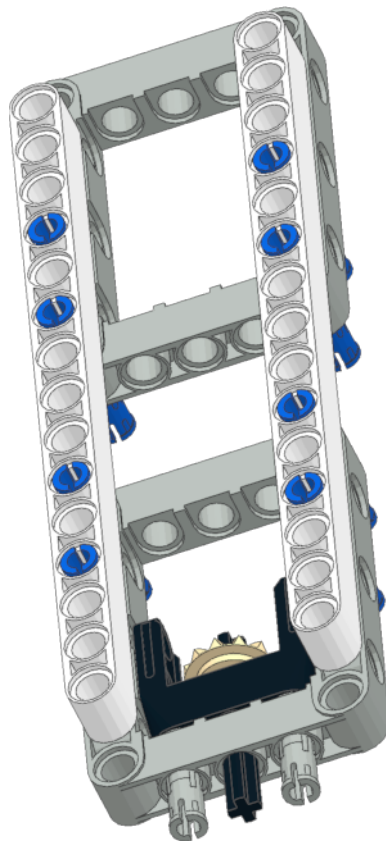
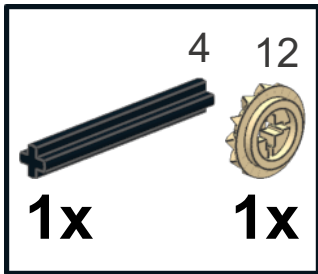
3



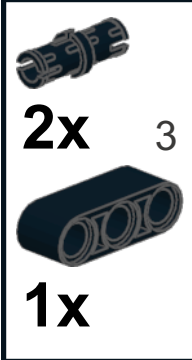
4



5

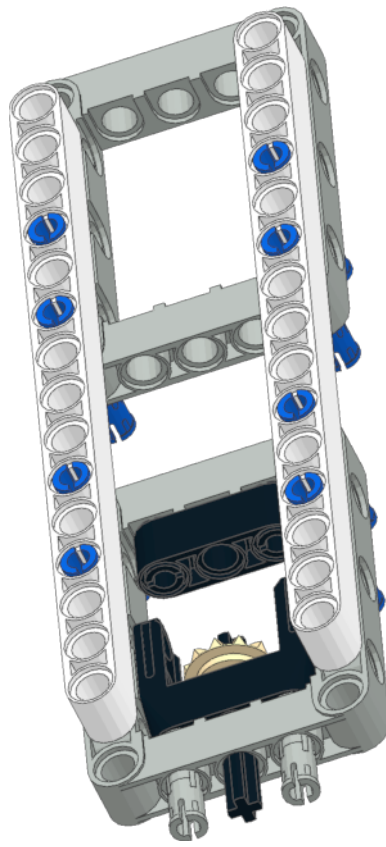


6

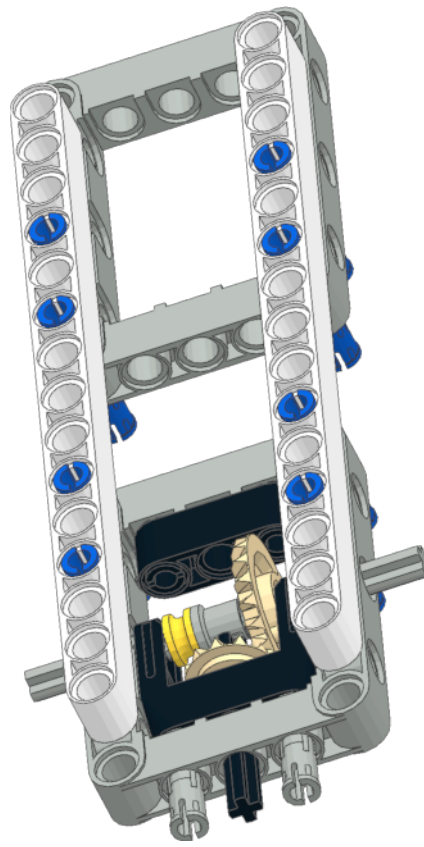
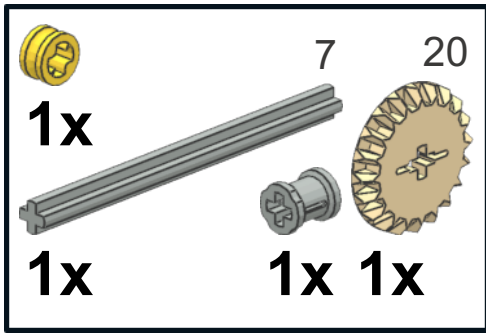


2x 3

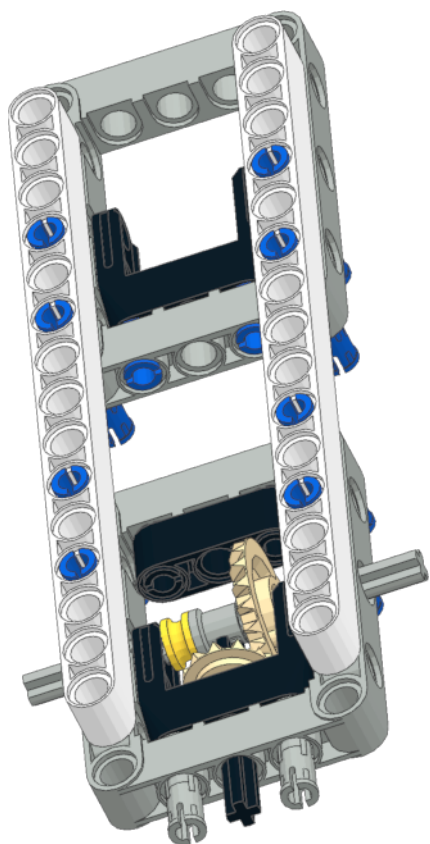
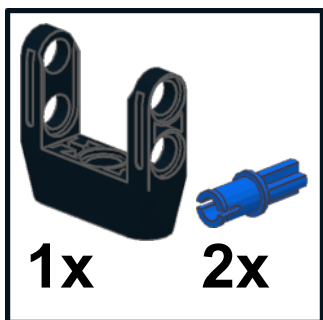
1x



7



8



9

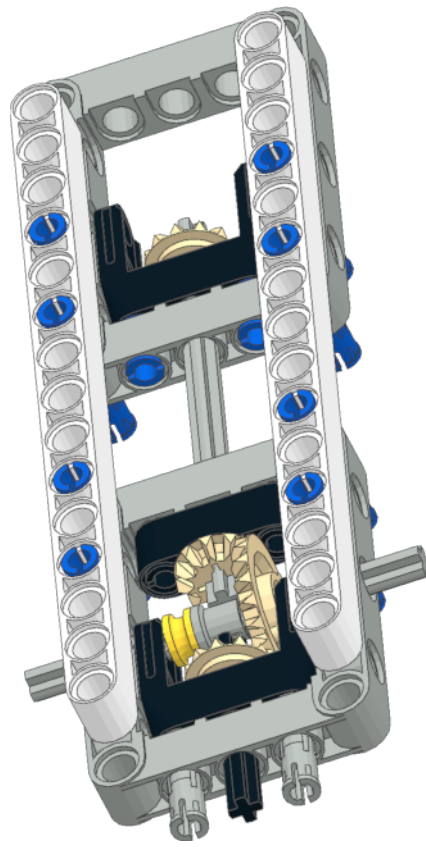
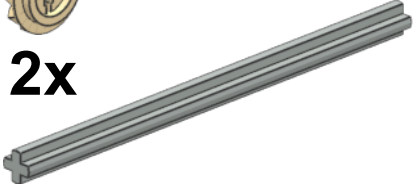


12

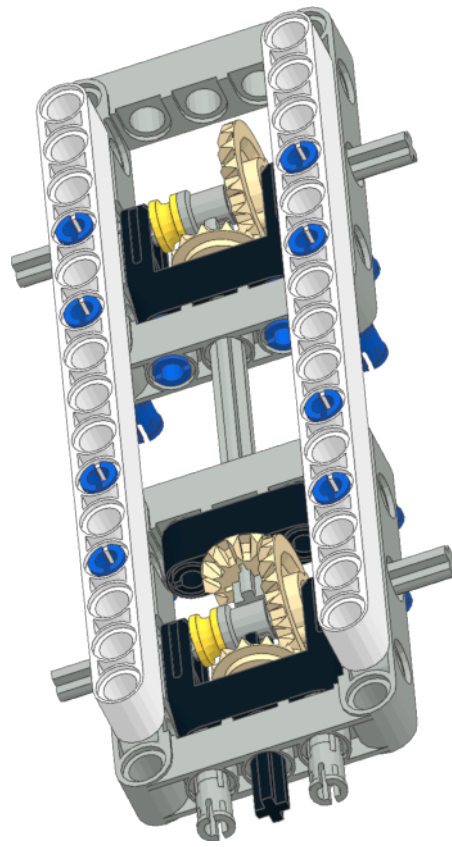
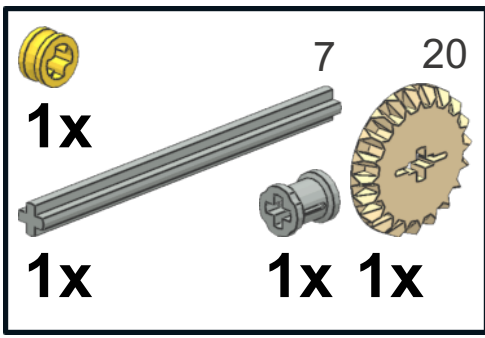
9

2x

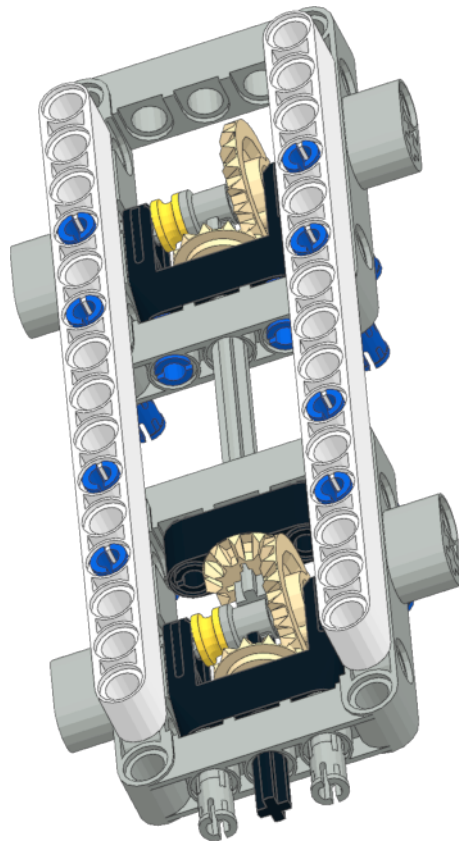
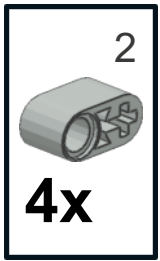
1x



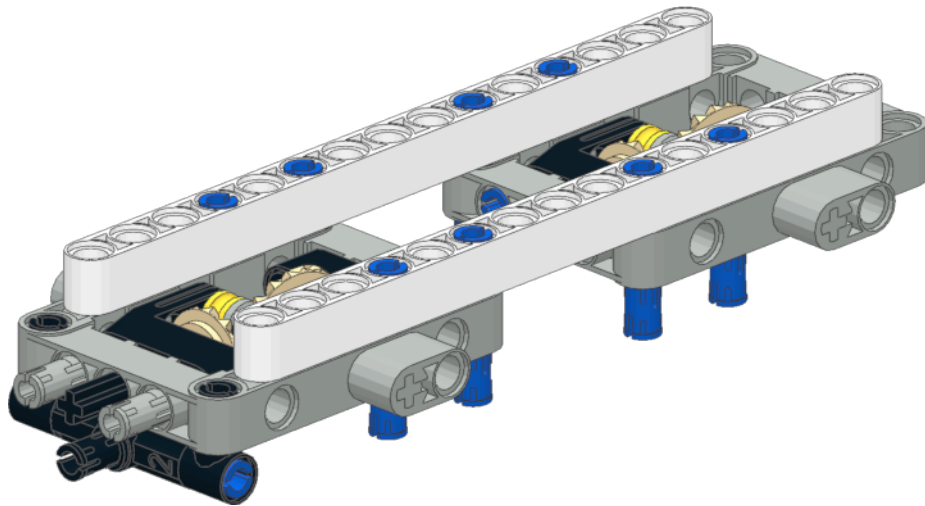
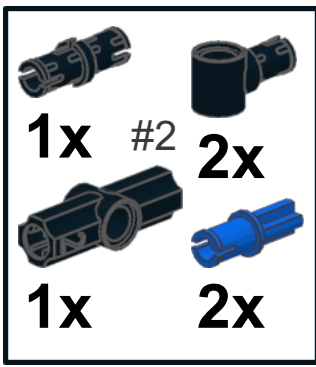
10



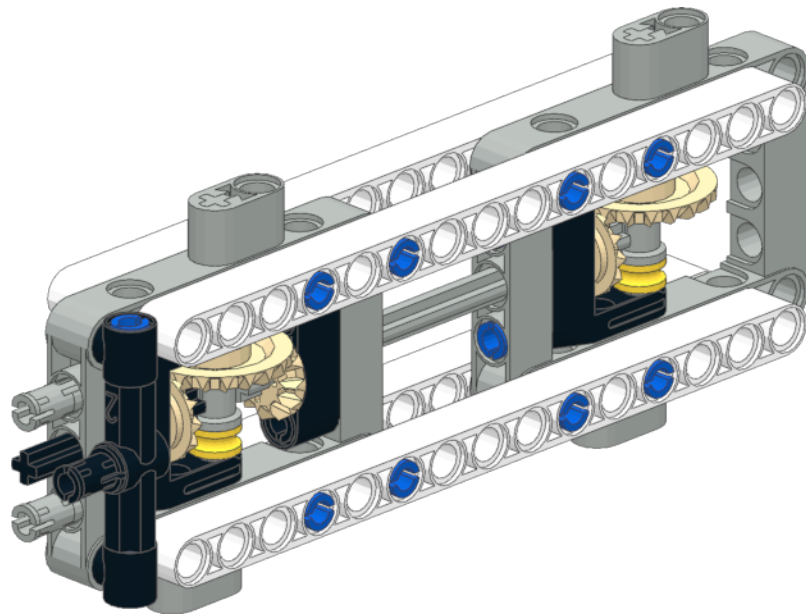
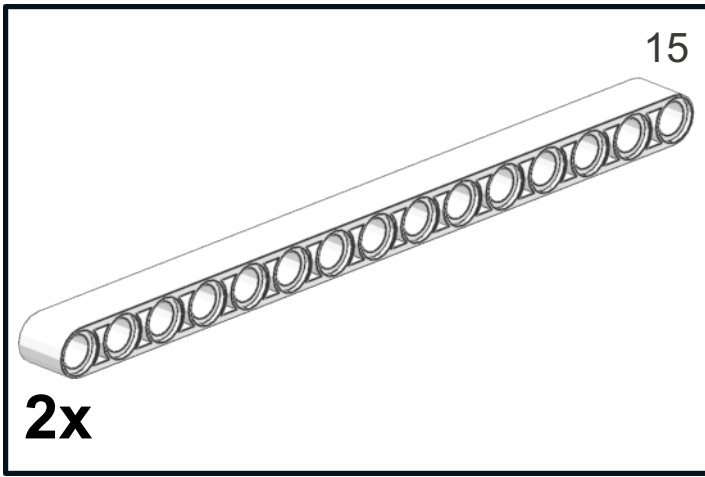
11



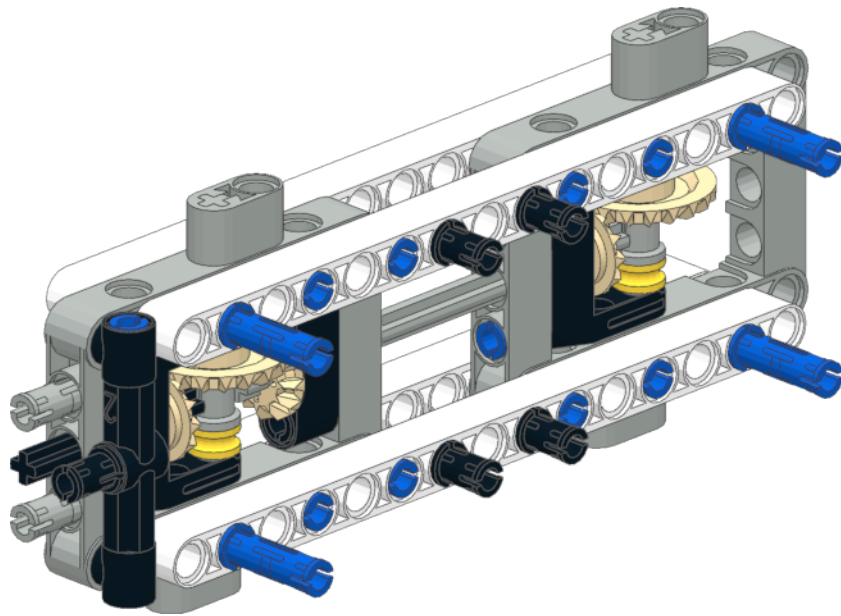
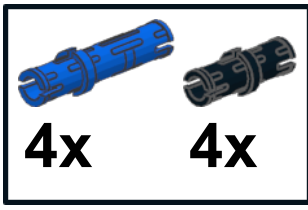
12



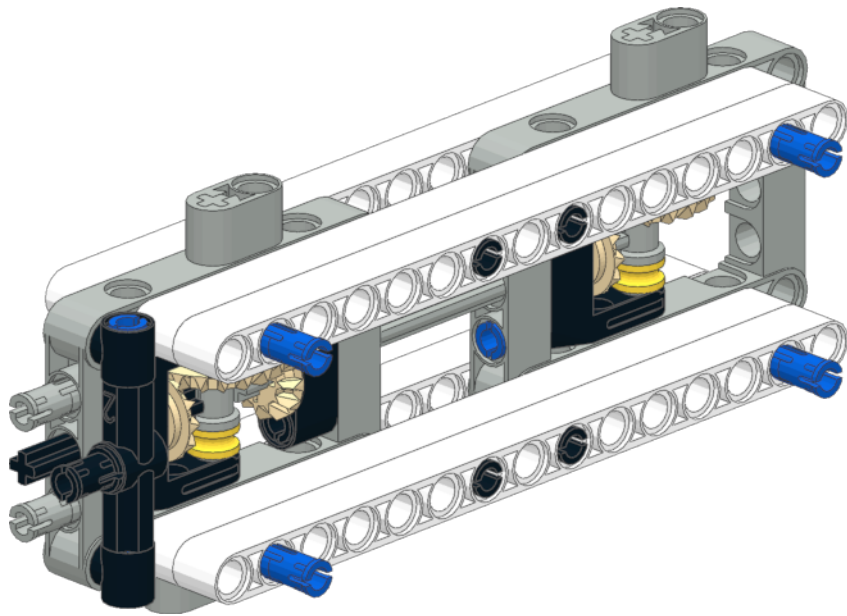
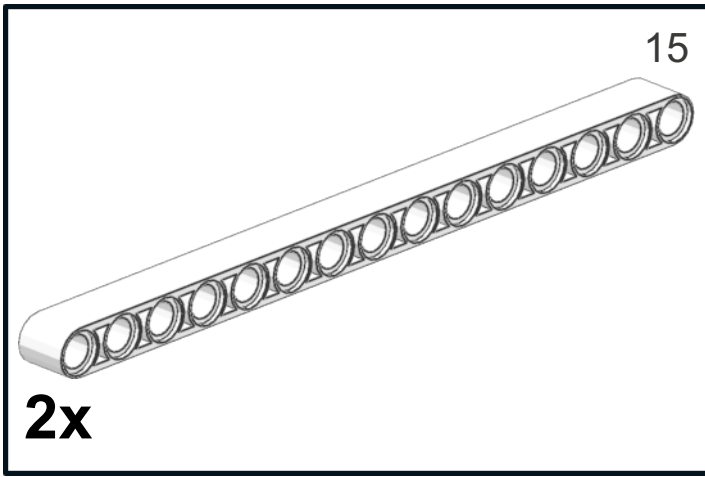
13



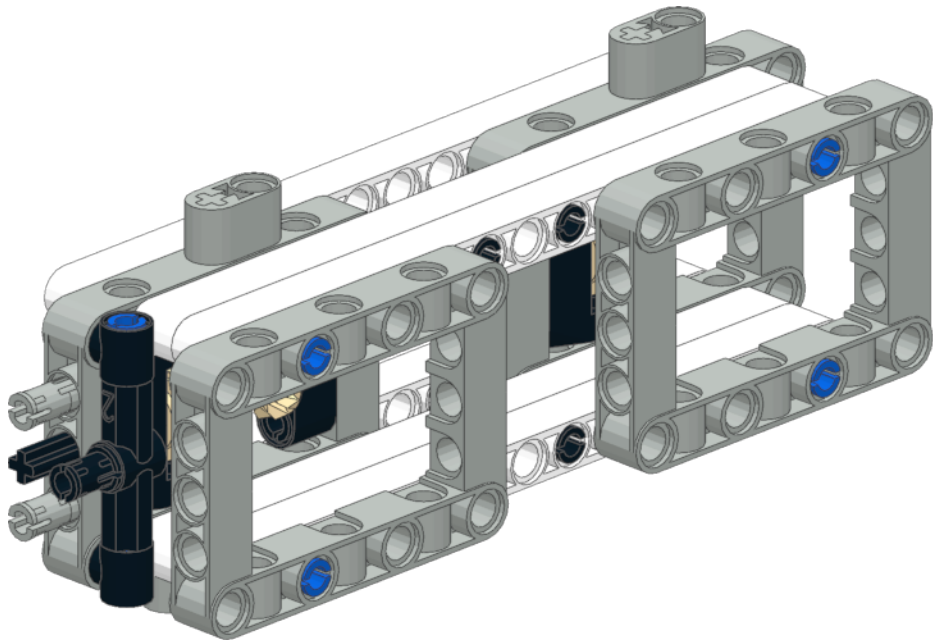
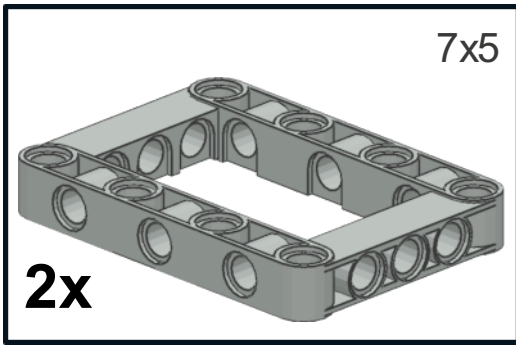
14



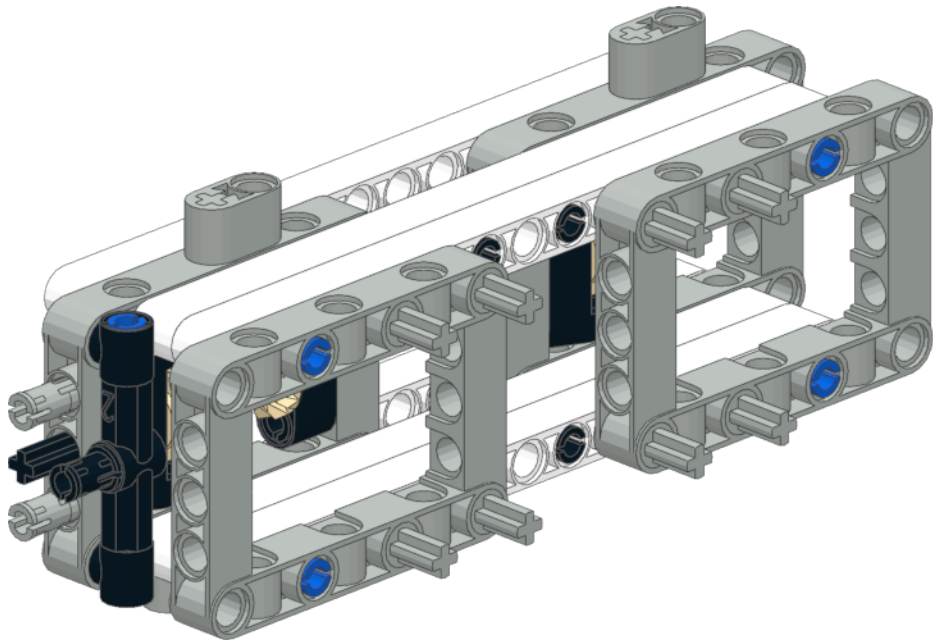
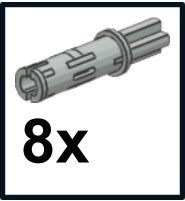
15



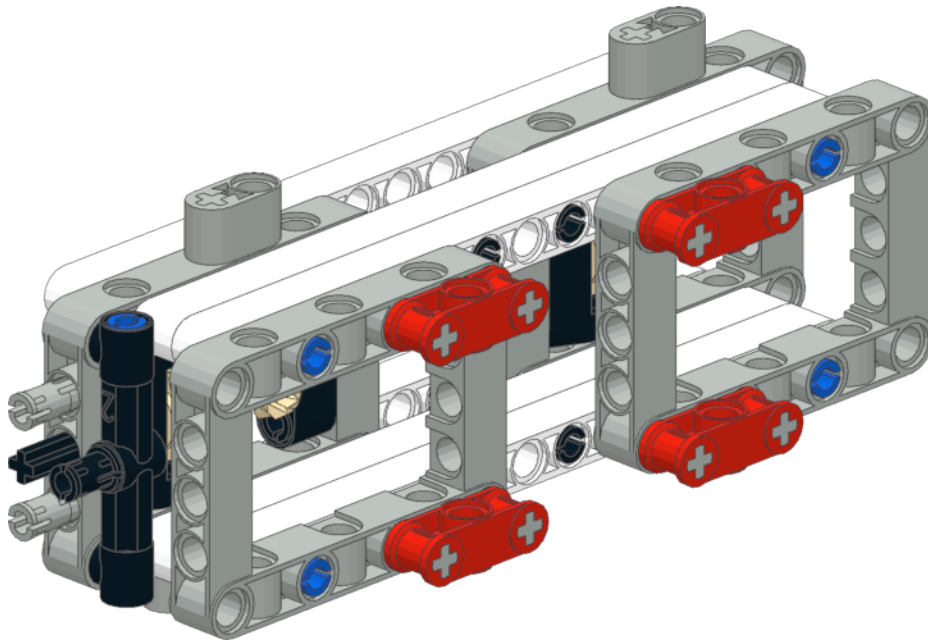
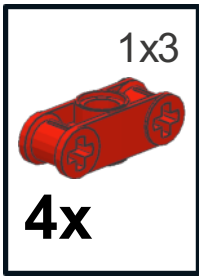
16



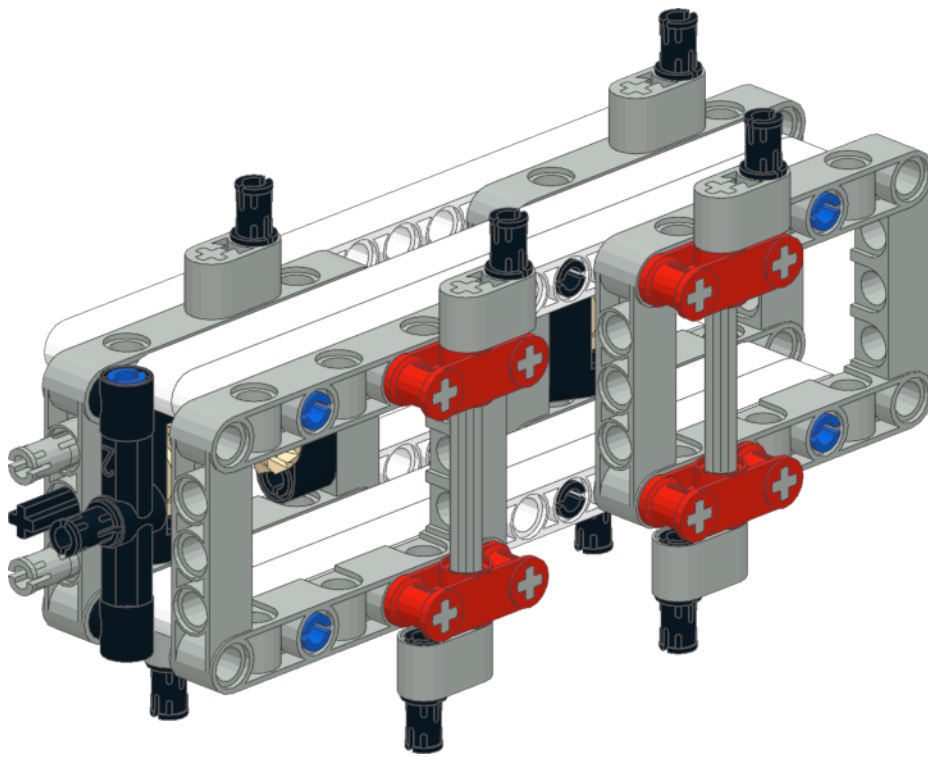
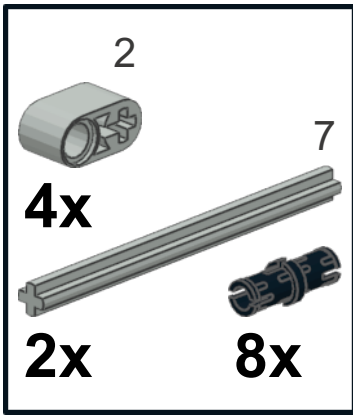
17



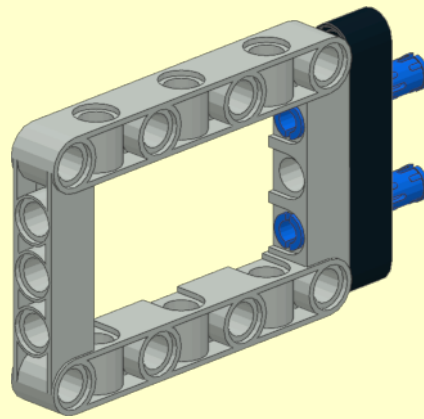
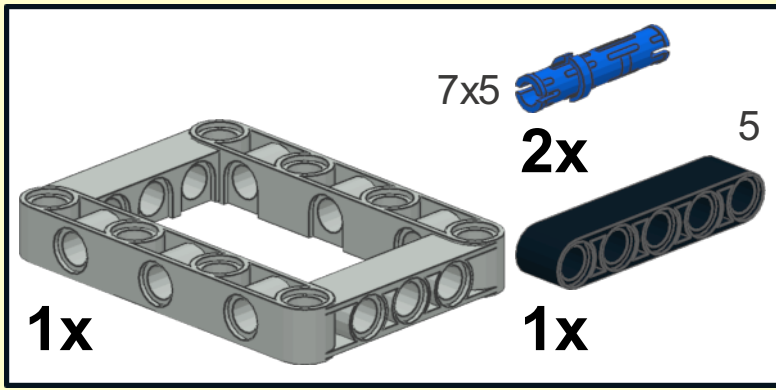
18



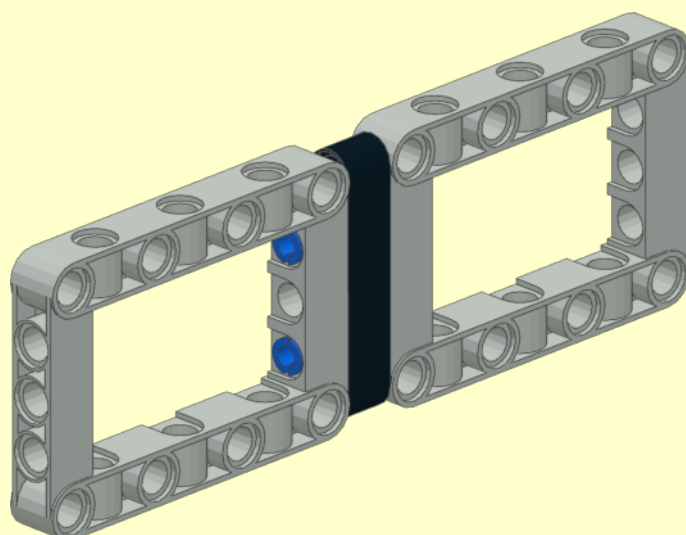
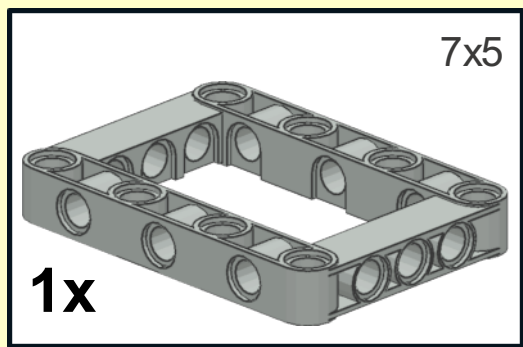
19



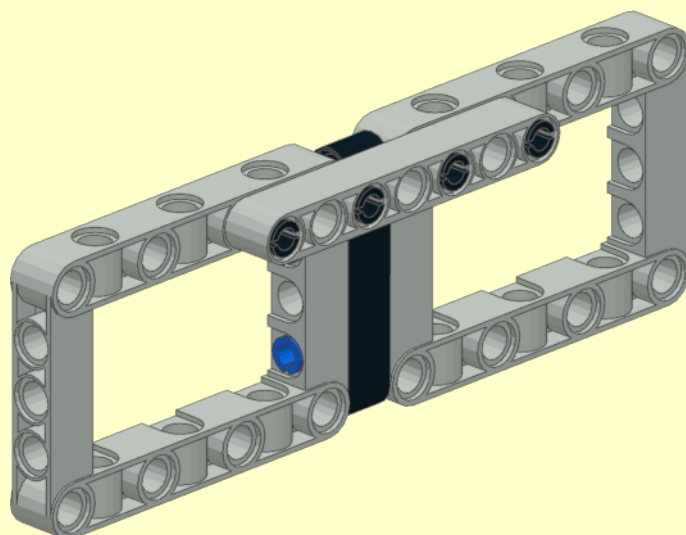
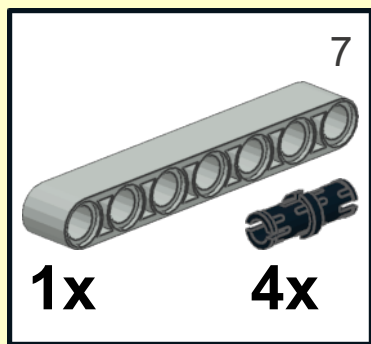
1



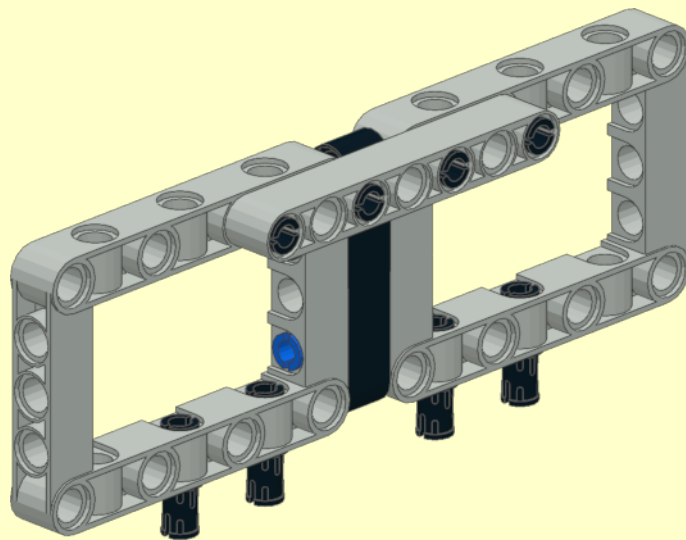
2



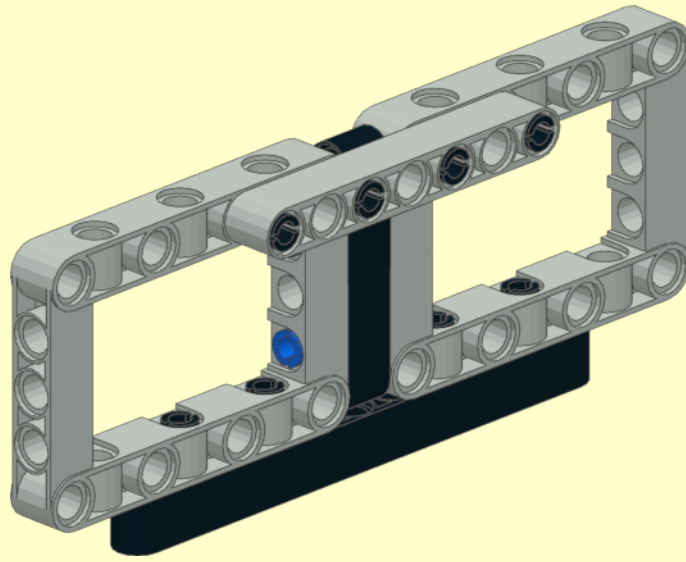
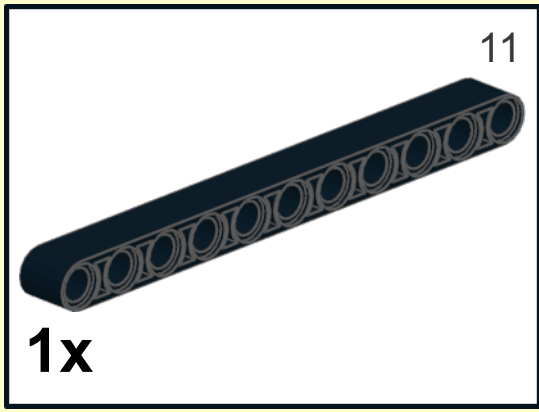
3



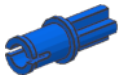
4
4x



5



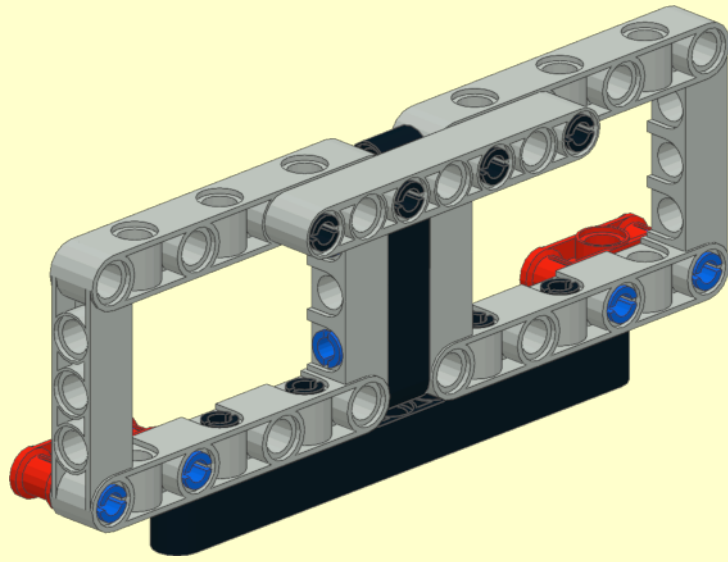
6



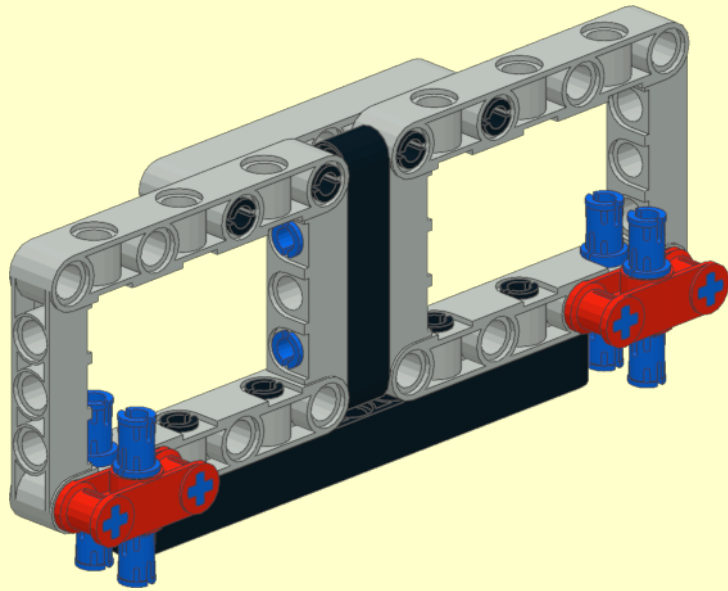
4x 1x3



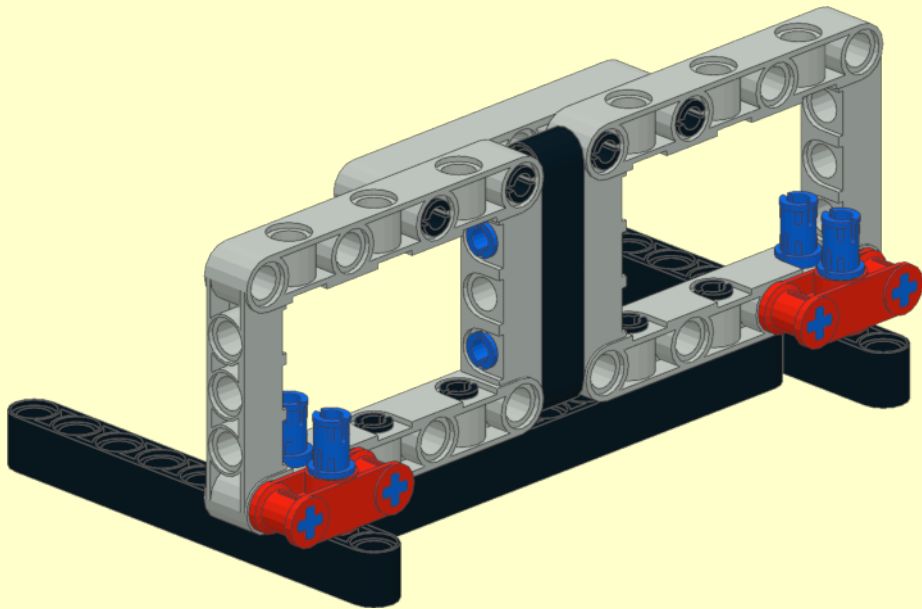
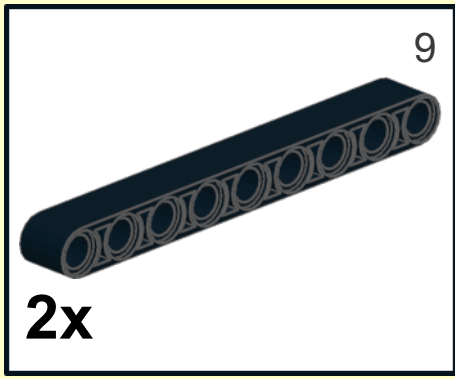
2x

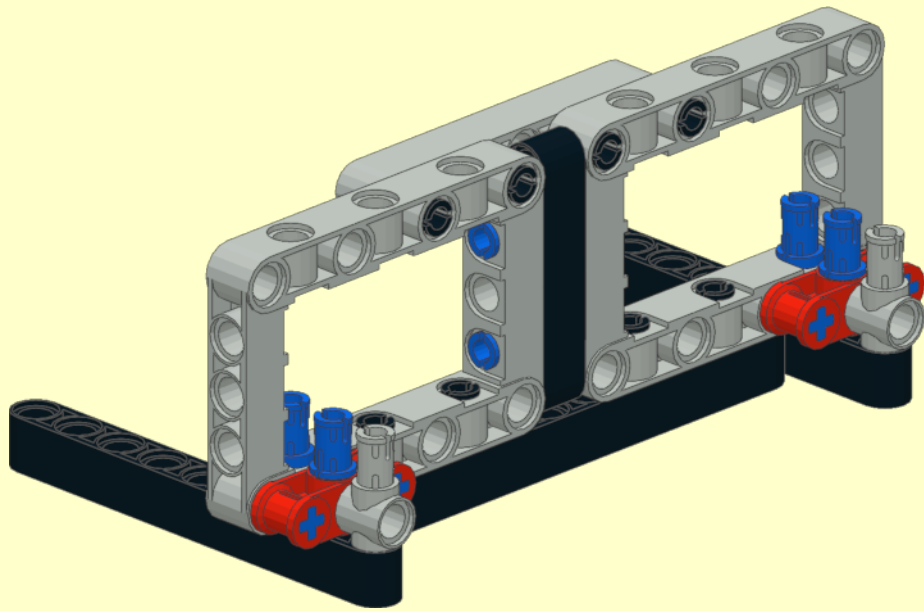
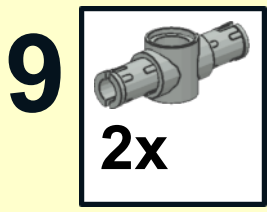


7
4x

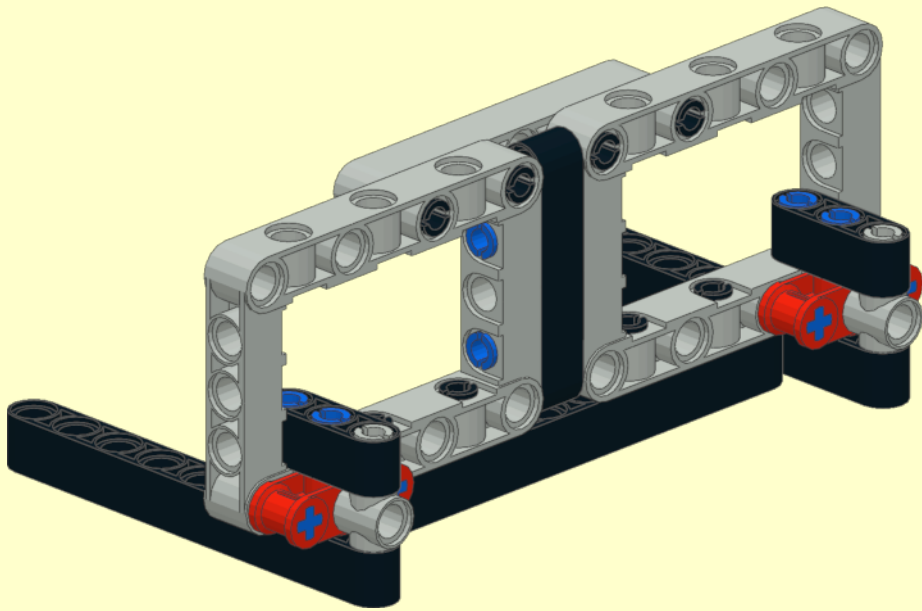


8

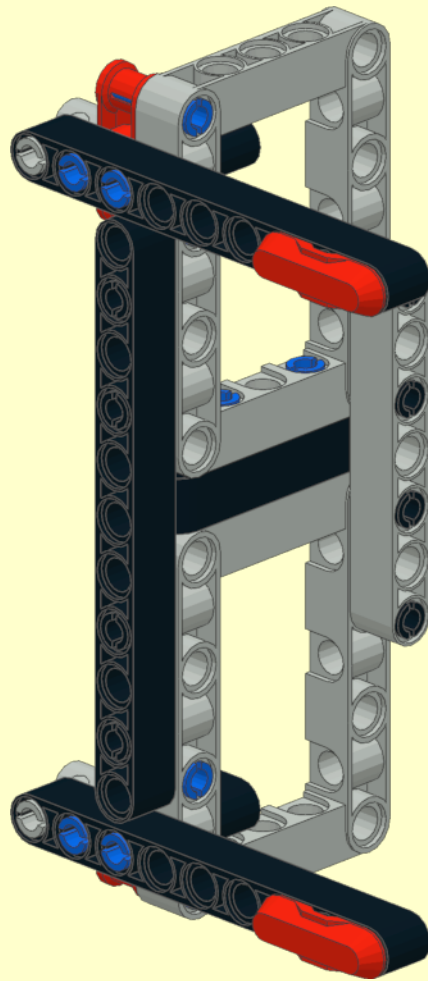




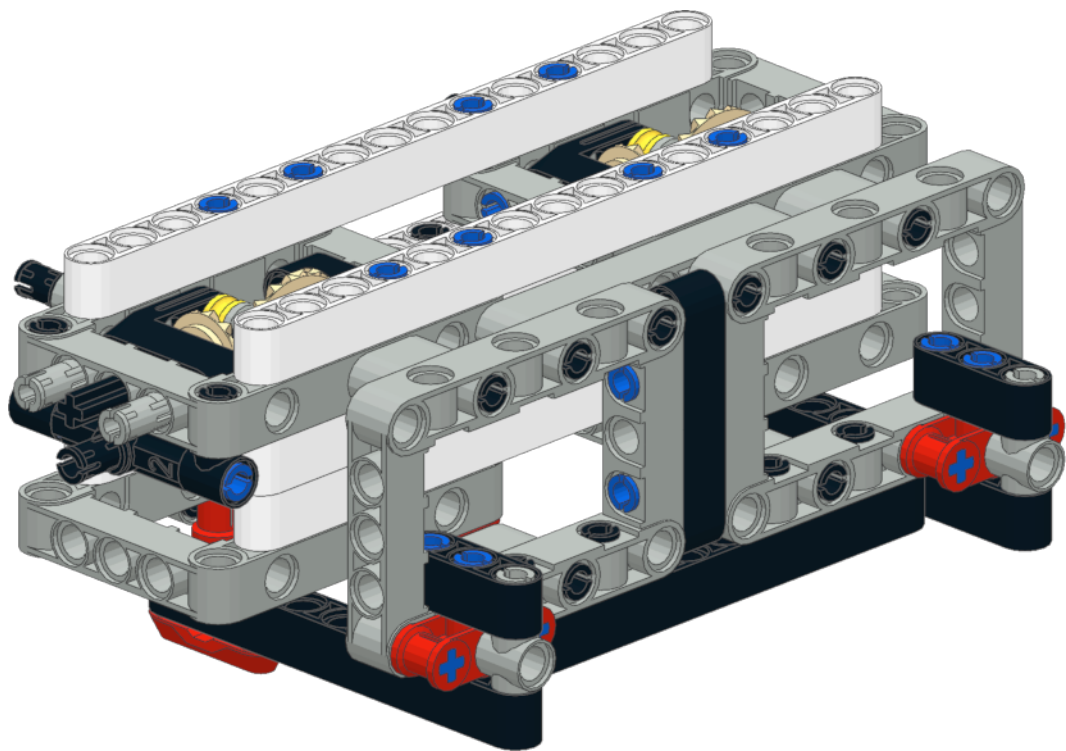
10

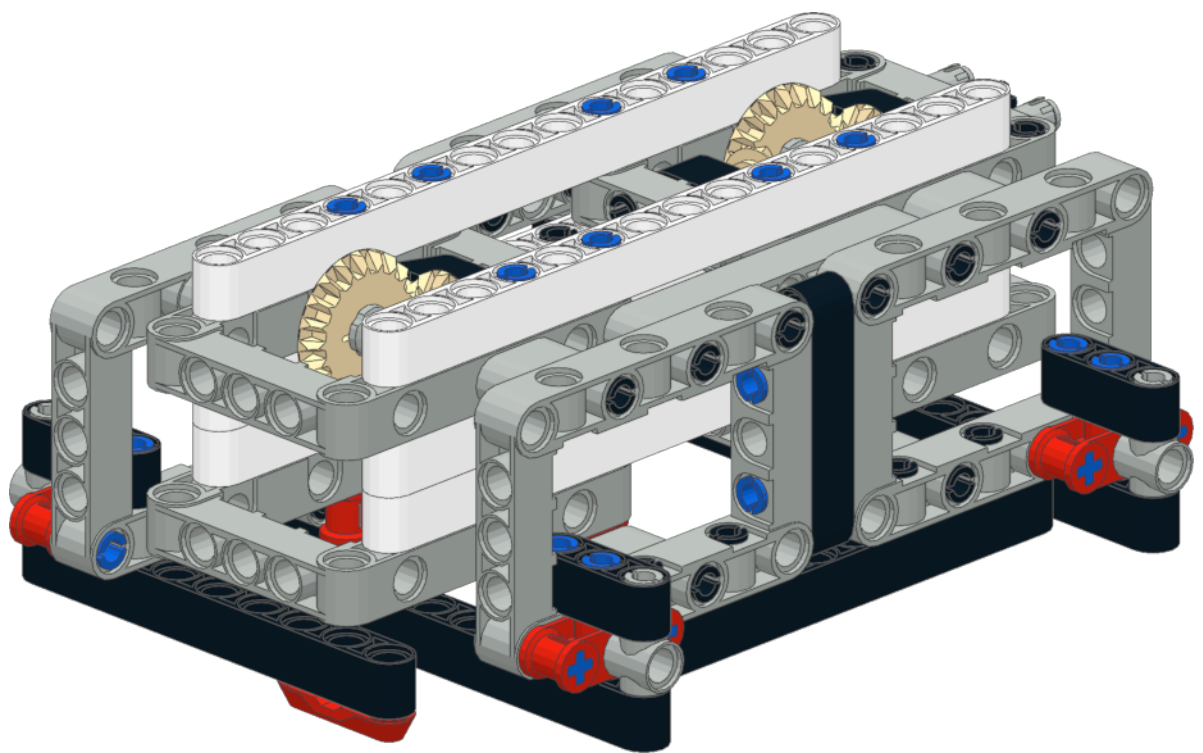


11



x2

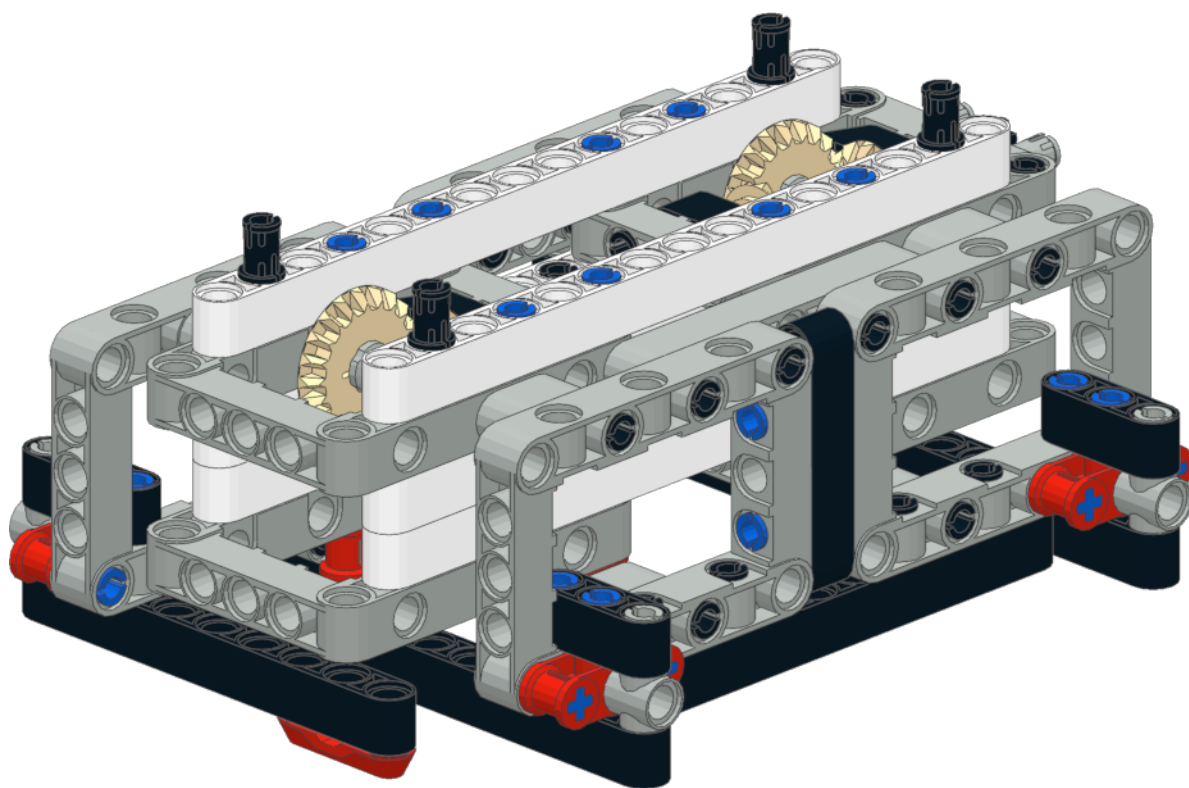




22



4x



23

