

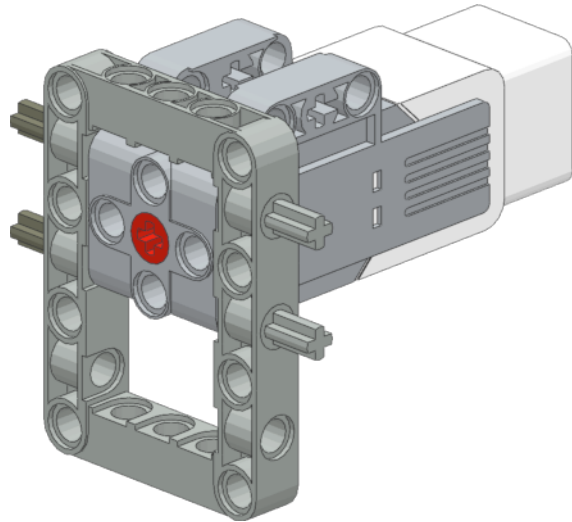
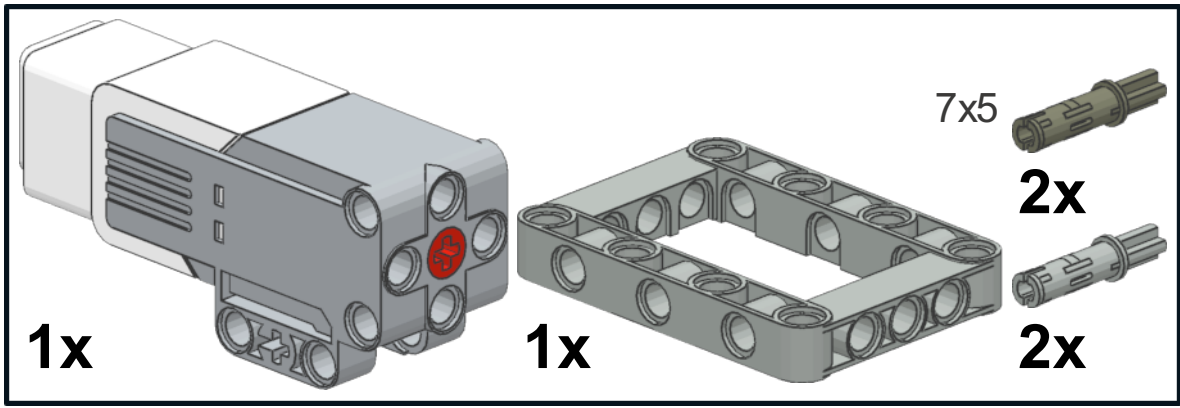
# LINE WALKING DUCK

by Stu Nicholls  
<http://www.stunicholls.com>

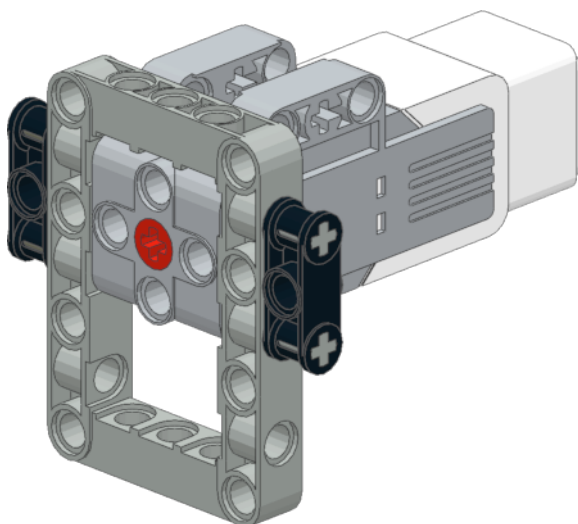
**A line walking biped using just one medium motor  
with nodding head and open/close beak**

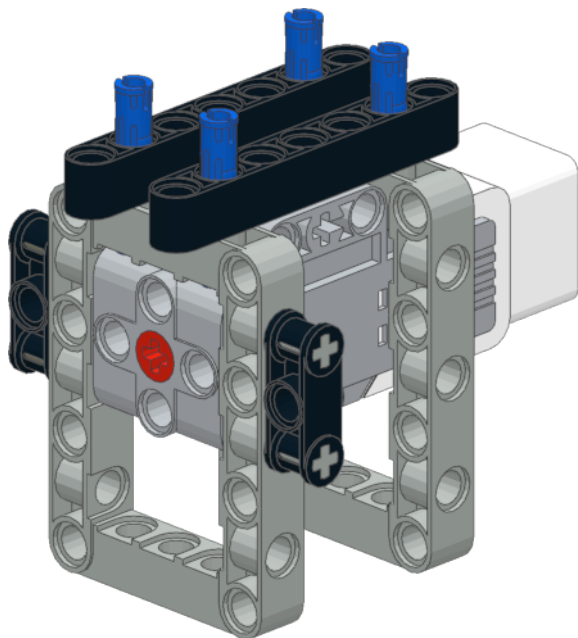
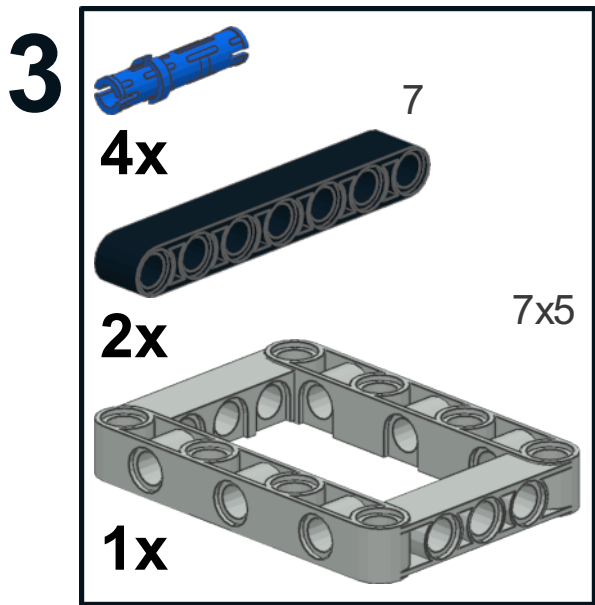


1



2





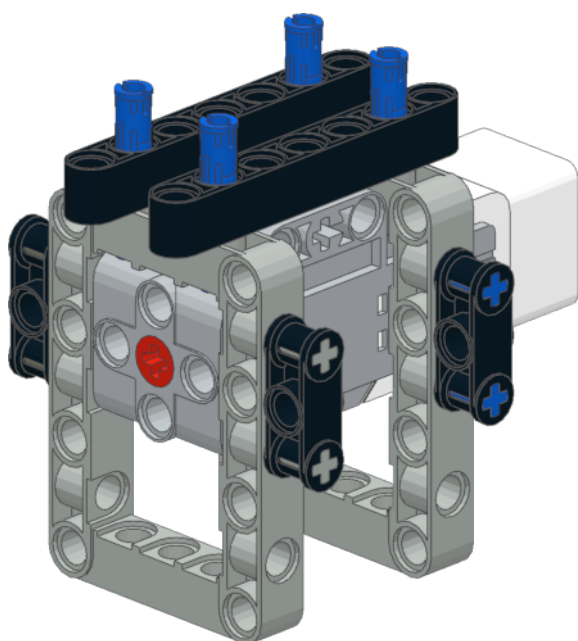
4




4x 1x3




2x



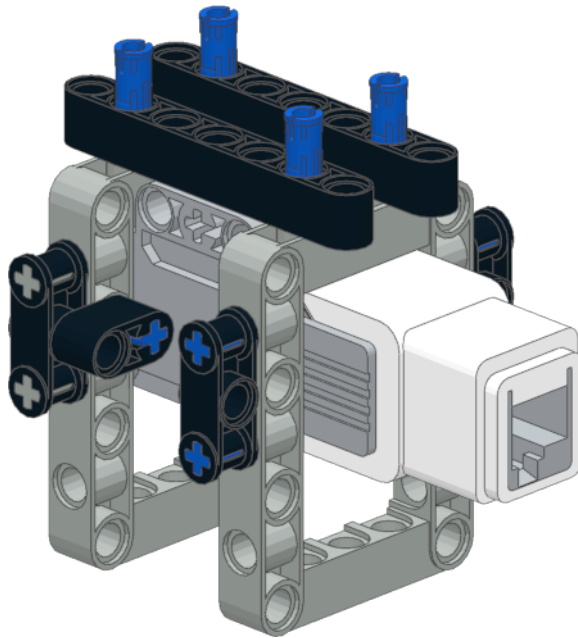
**5**




**2x** <sub>2</sub>



**2x**

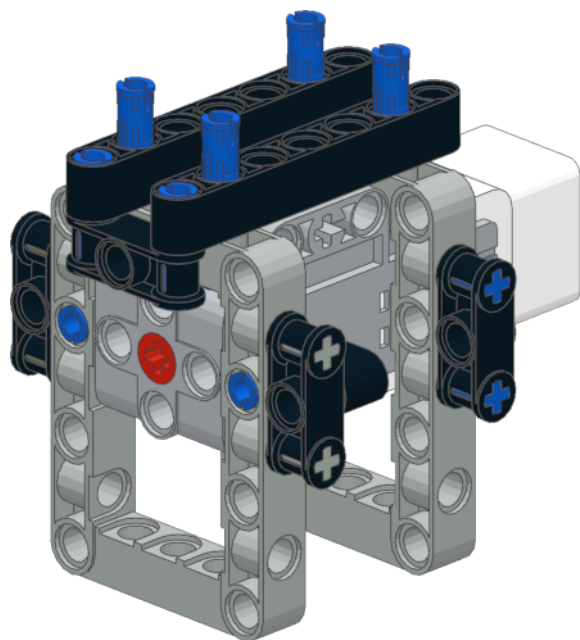


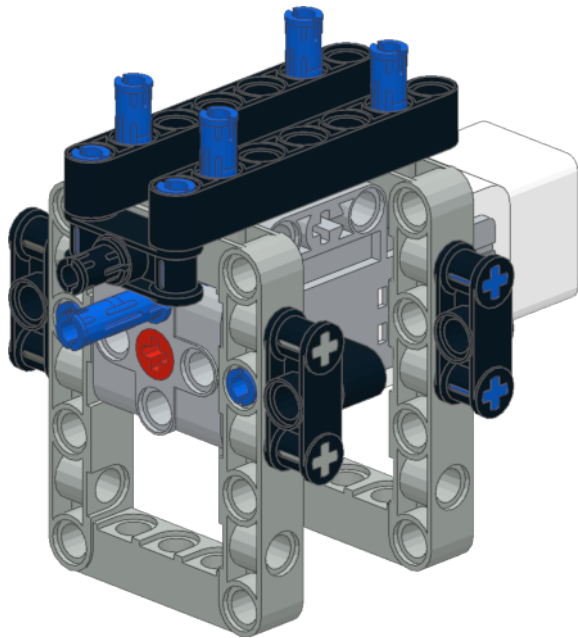
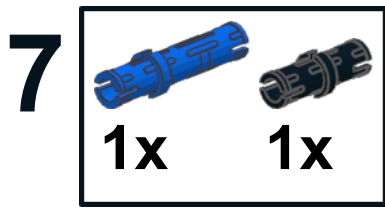
**6**



**2x** 1x3

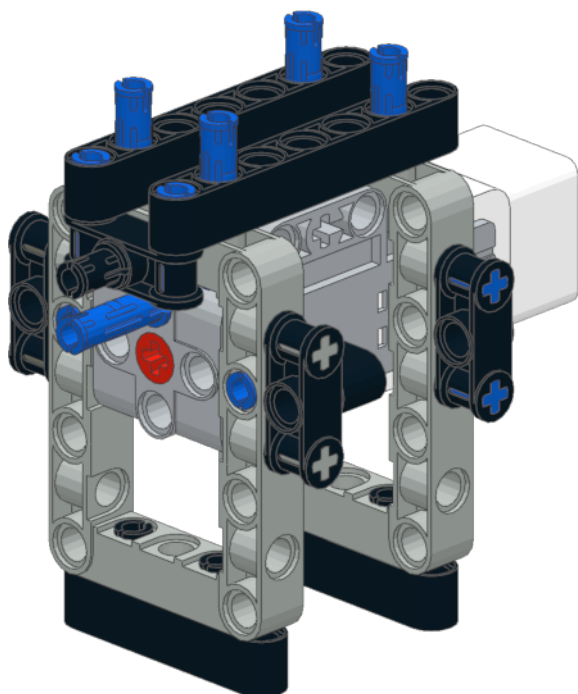
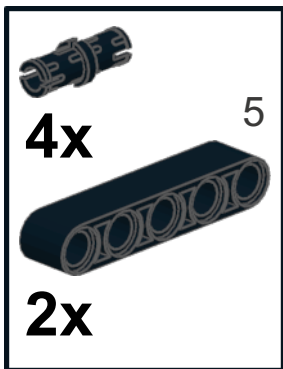
**1x**



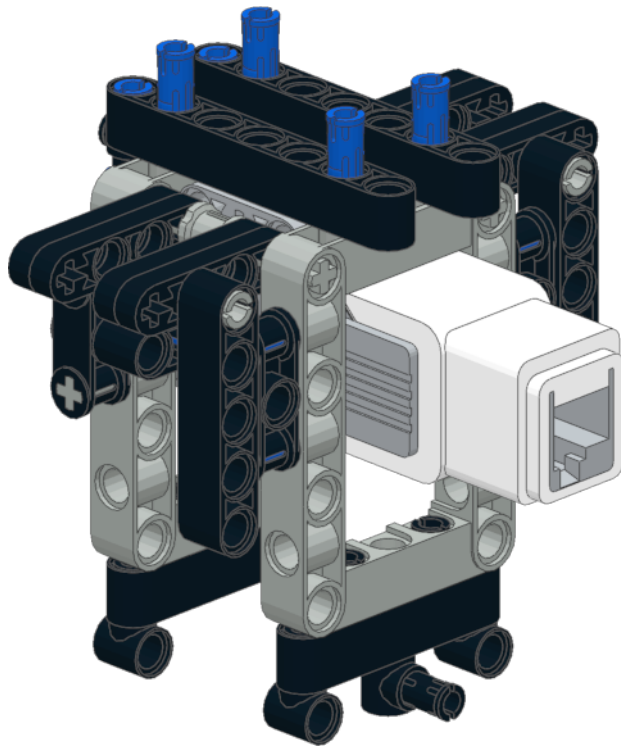
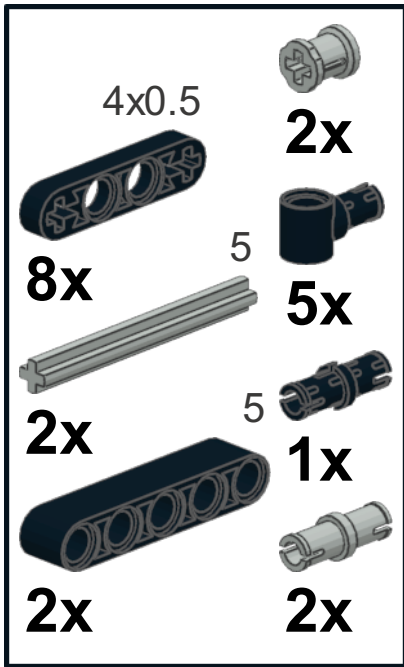




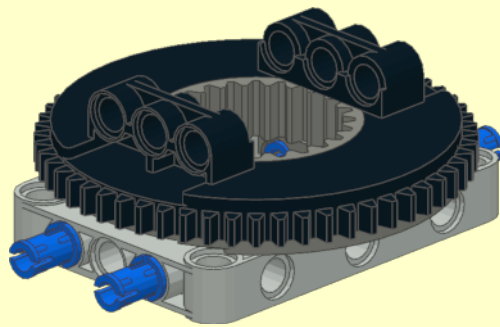
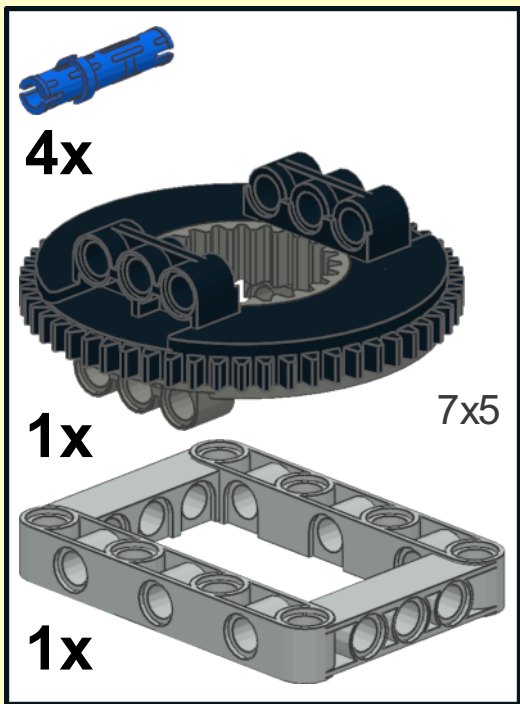
8



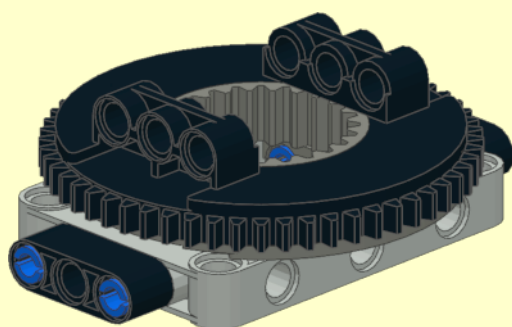
9



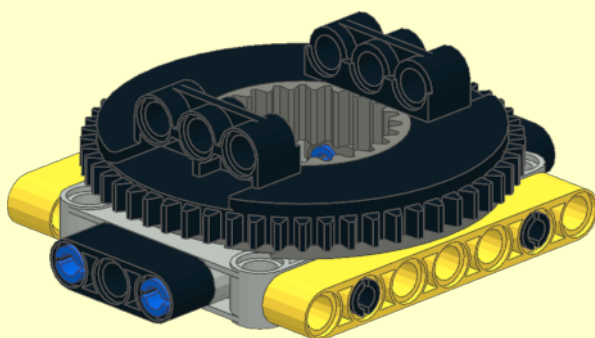
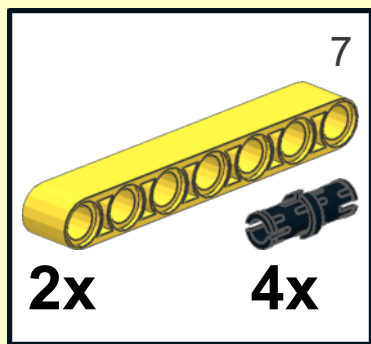
1



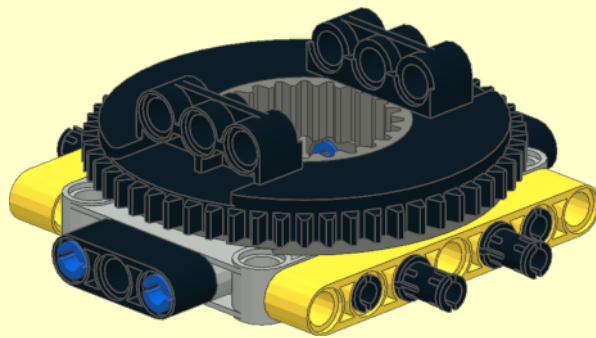
2



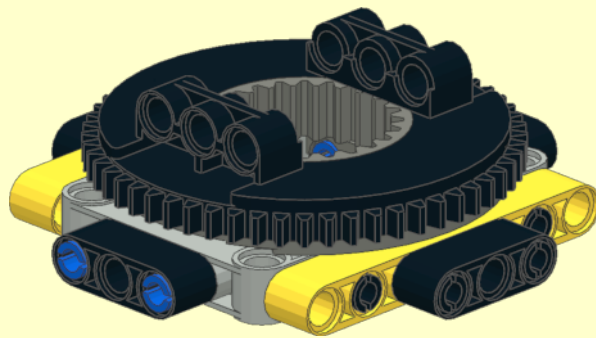
3




4  
4x



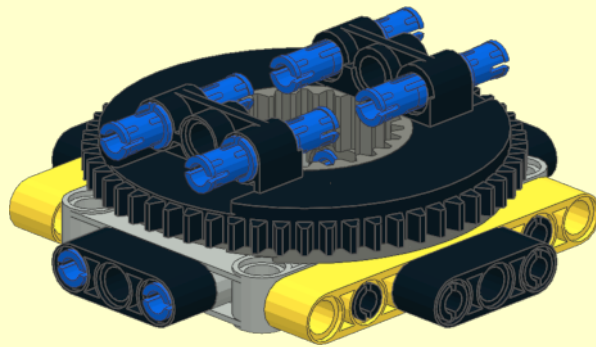
5



**6**

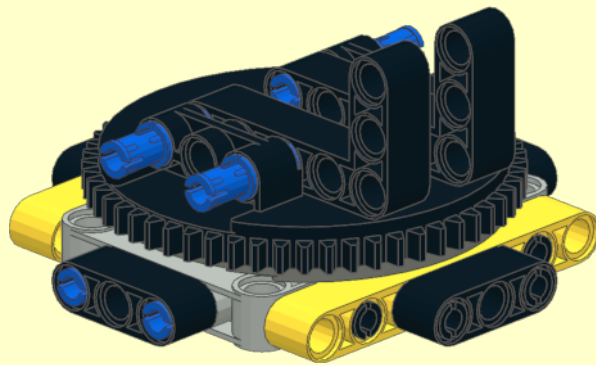
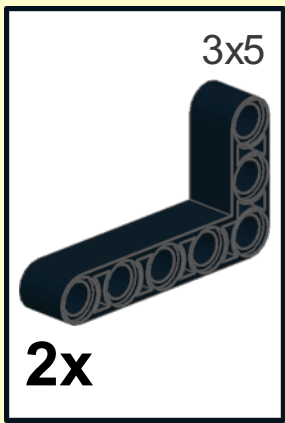


**4x**

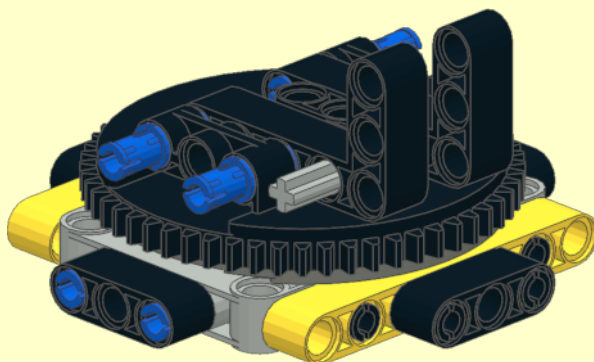
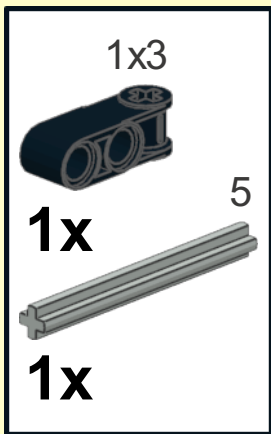





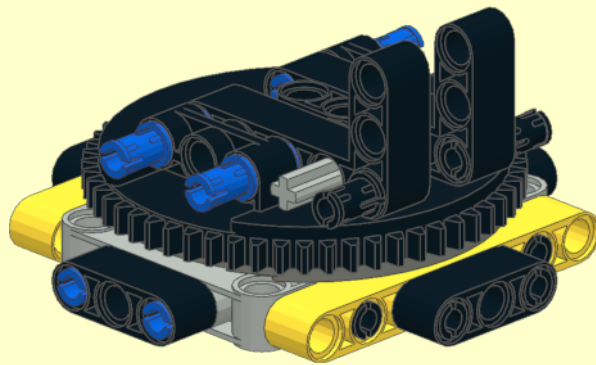
7



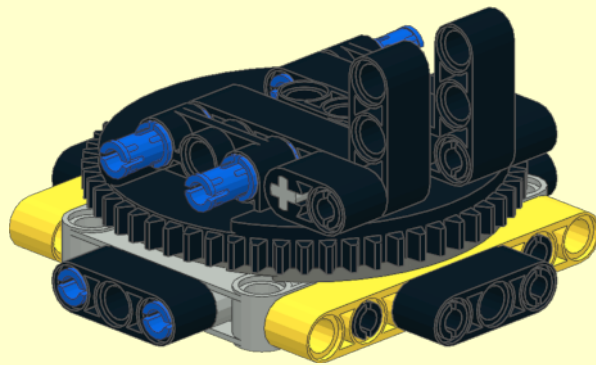
8



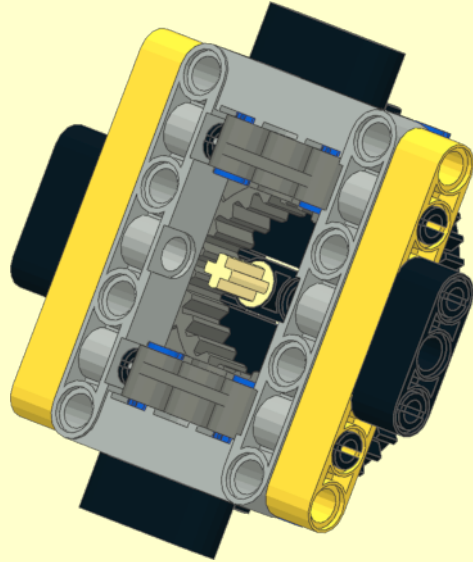
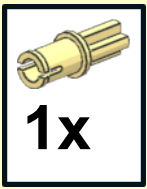
9   
2x



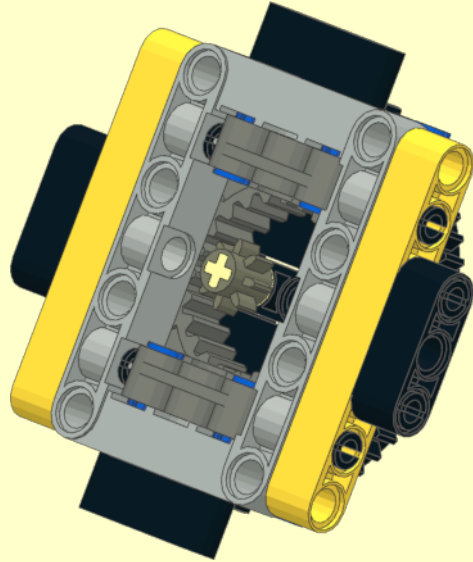
10



11

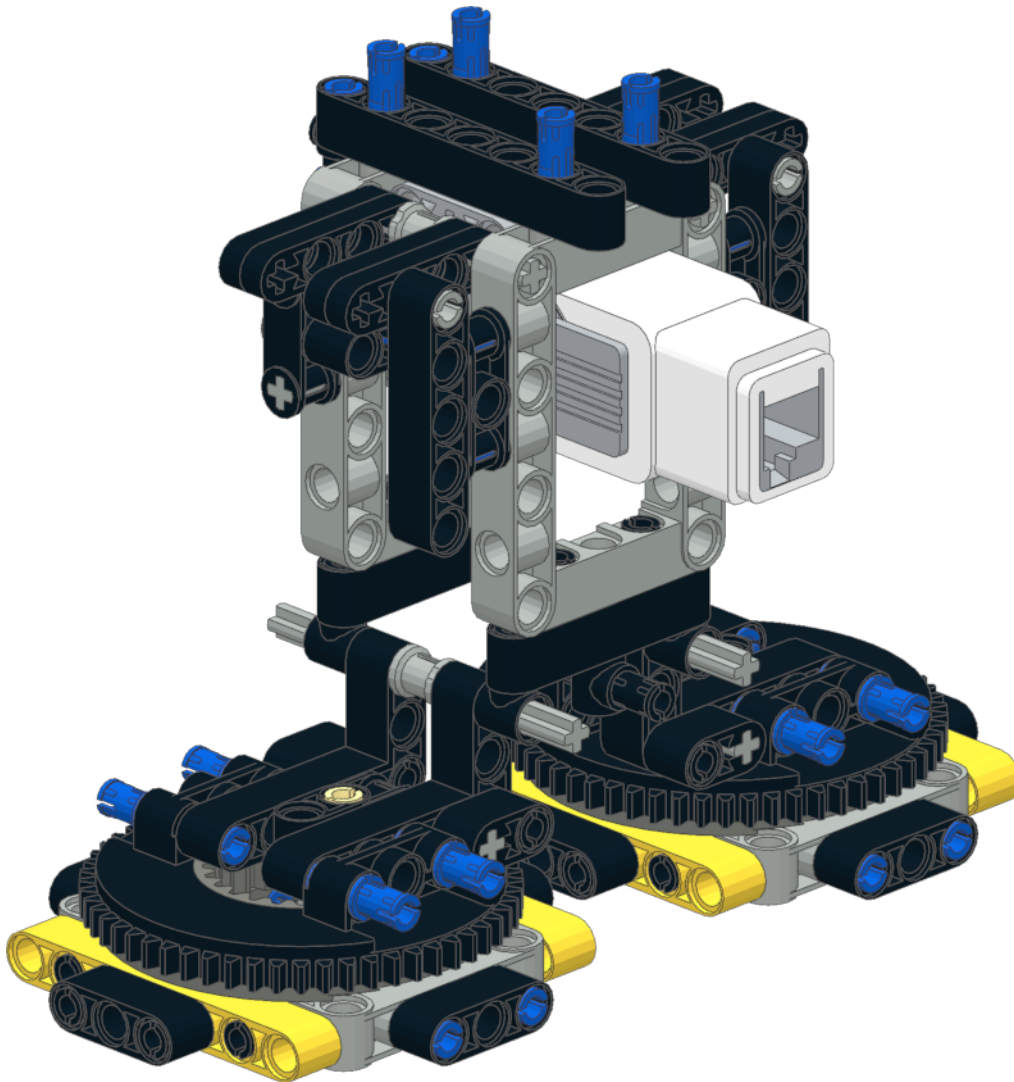
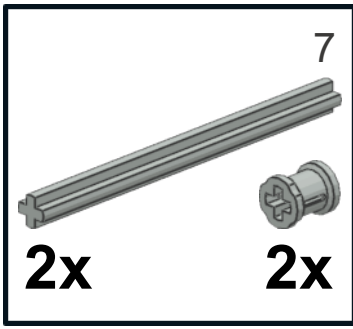


12

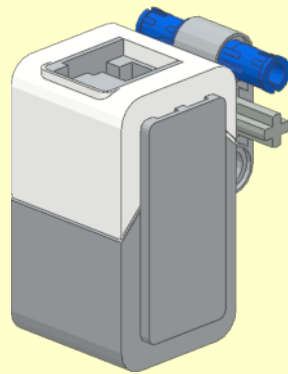
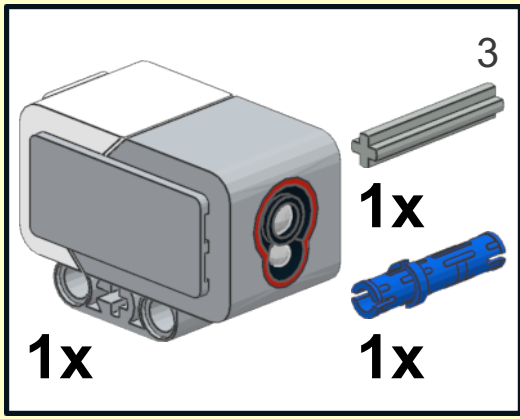


x2

10

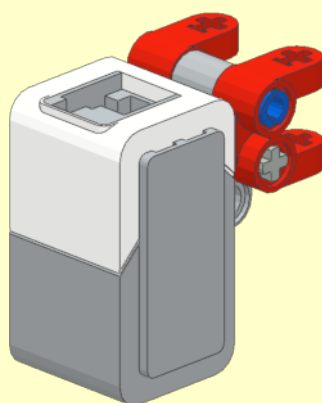


1

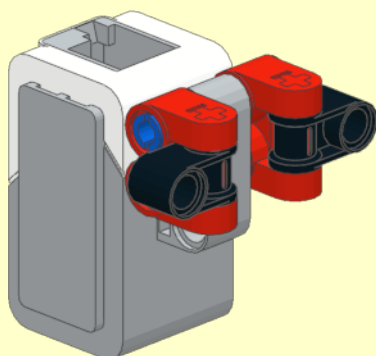
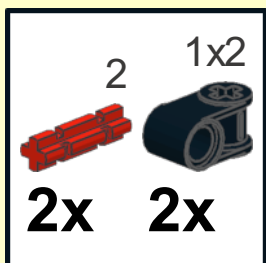




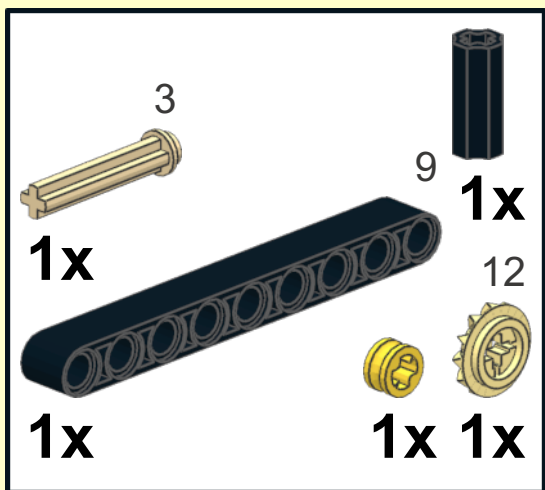
2



3



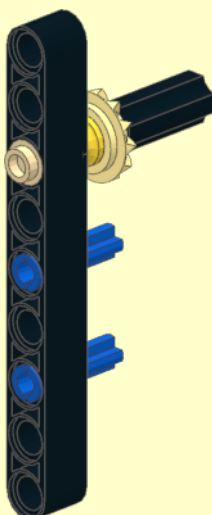
1



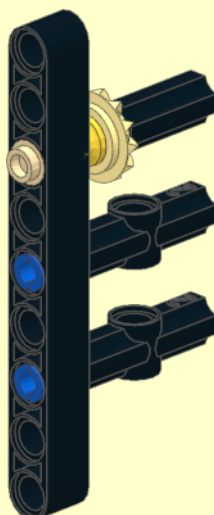
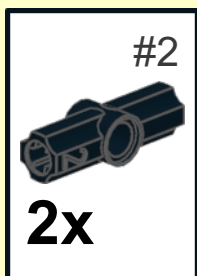
2



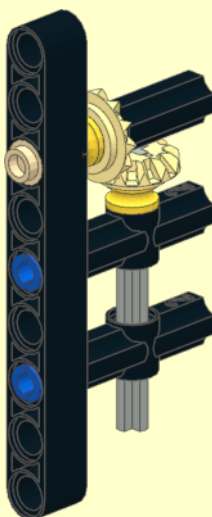
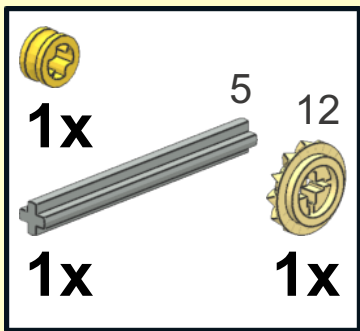
2x



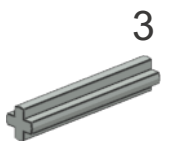
3



4



5

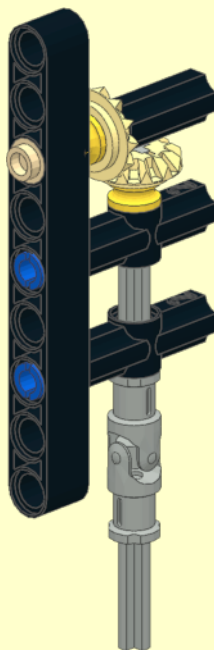


3

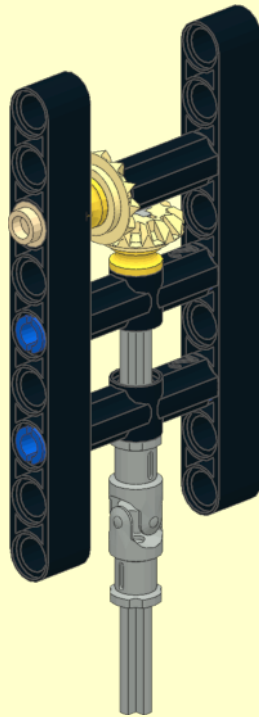
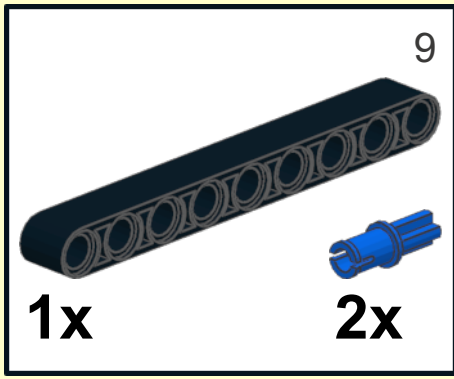
1x 3L



1x



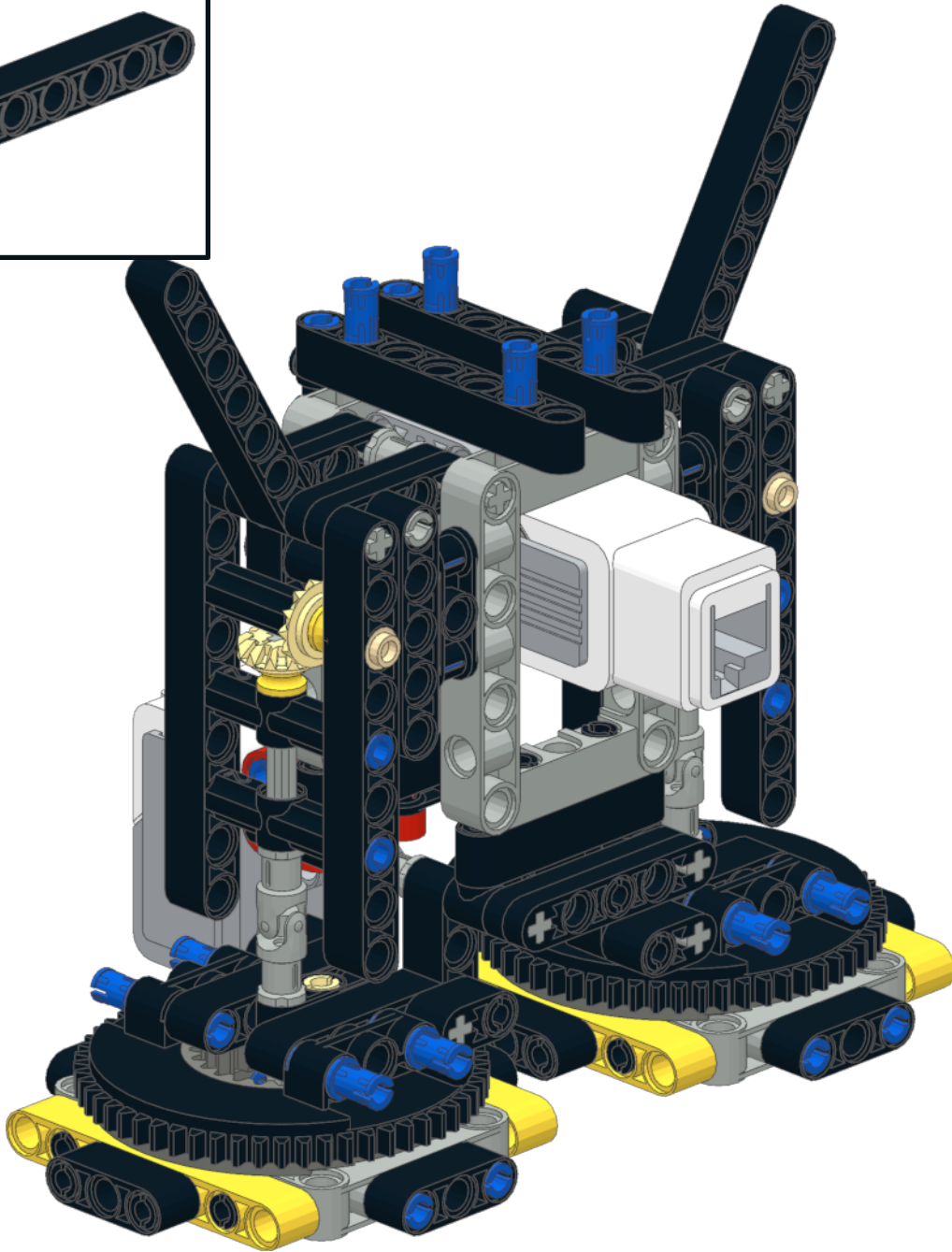
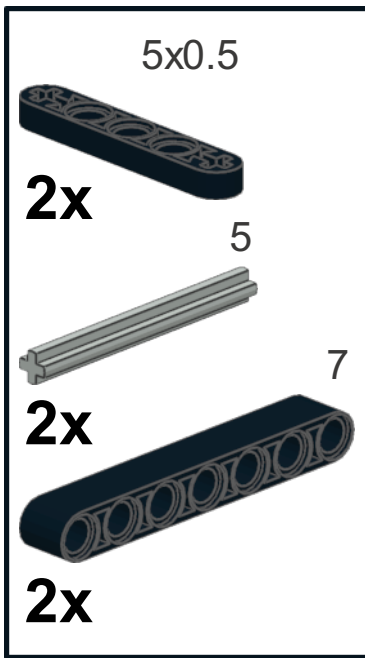
6



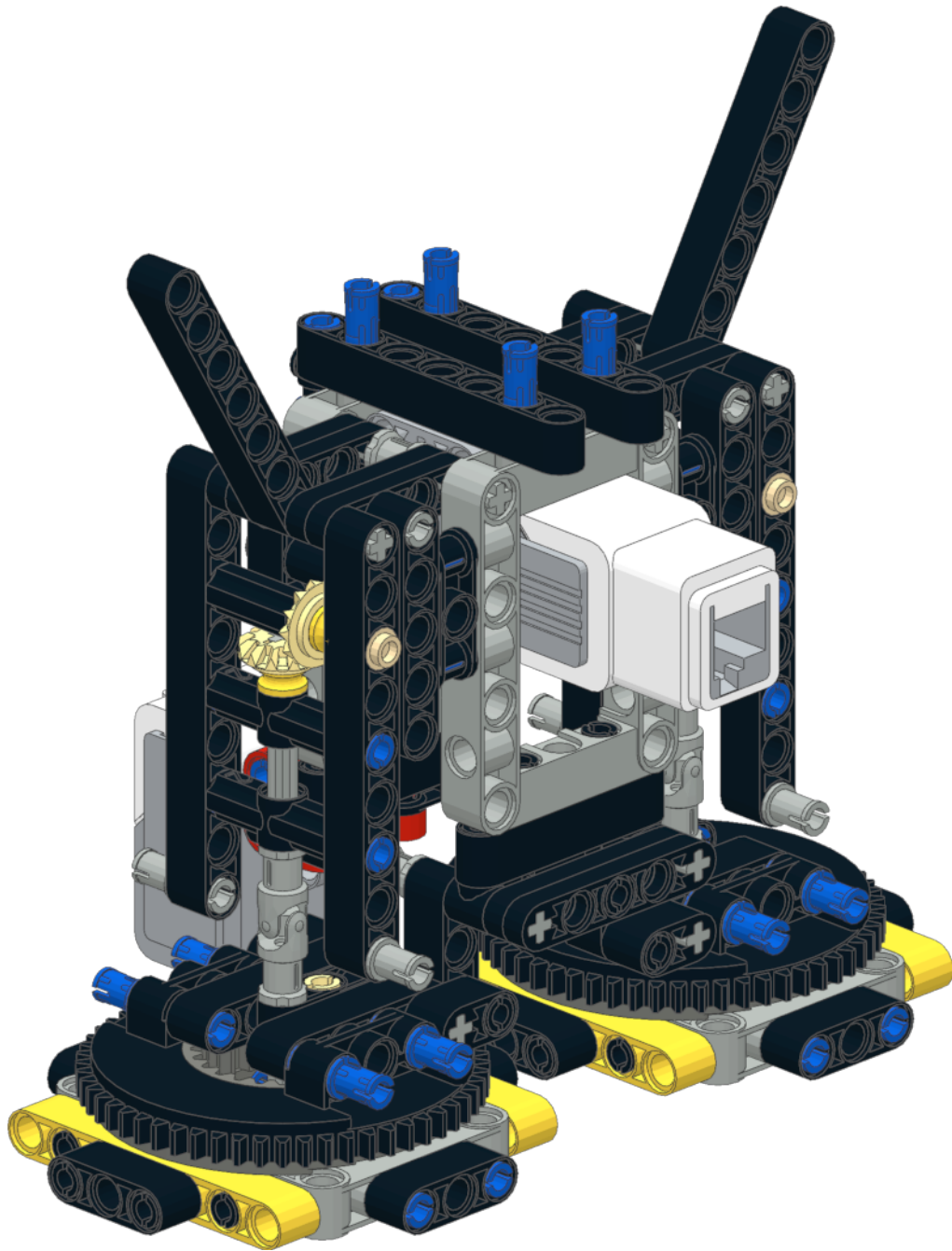
x2



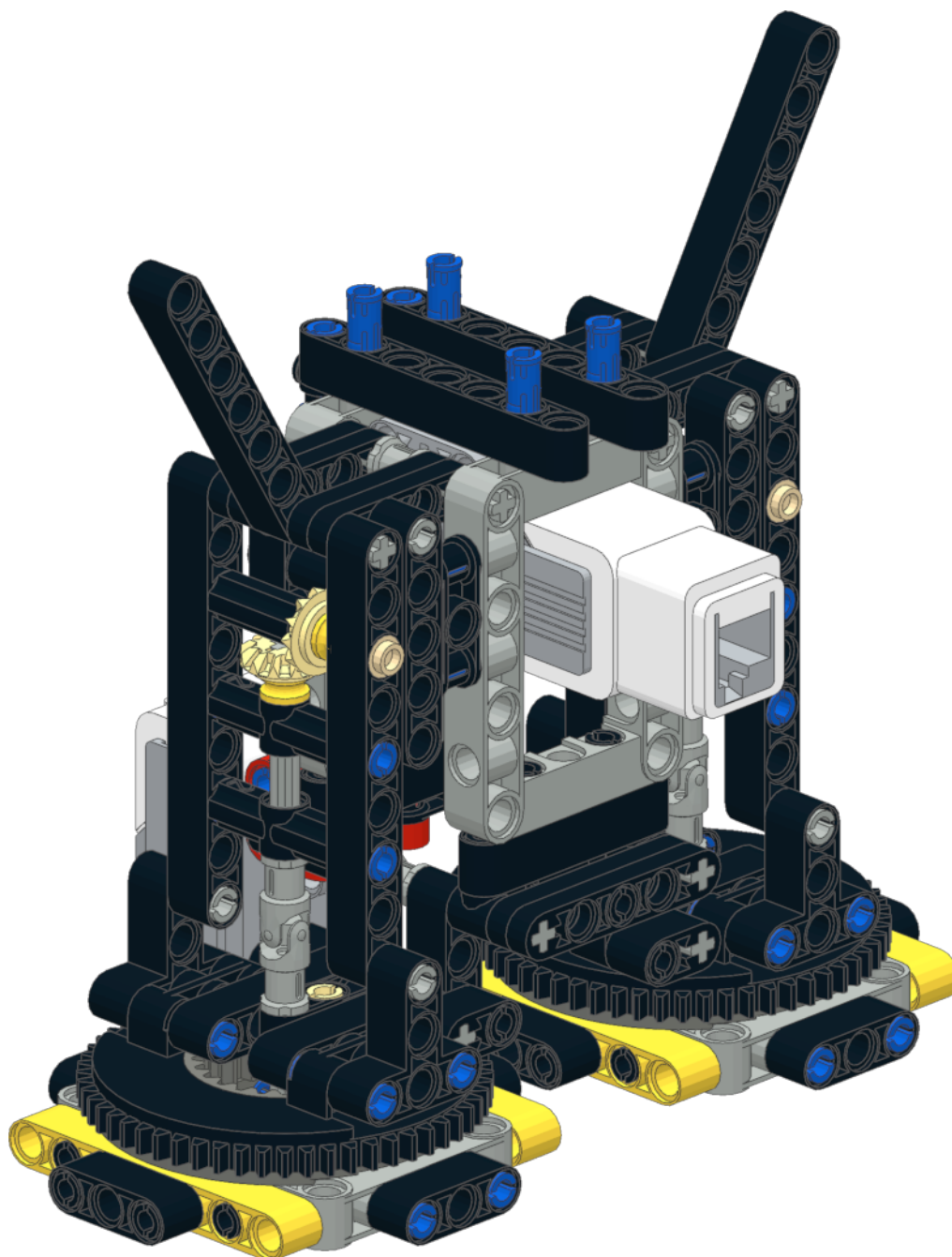
# 11



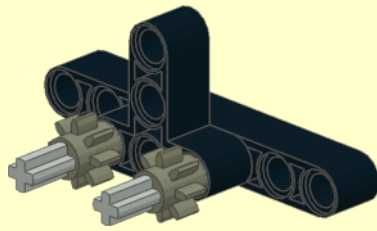
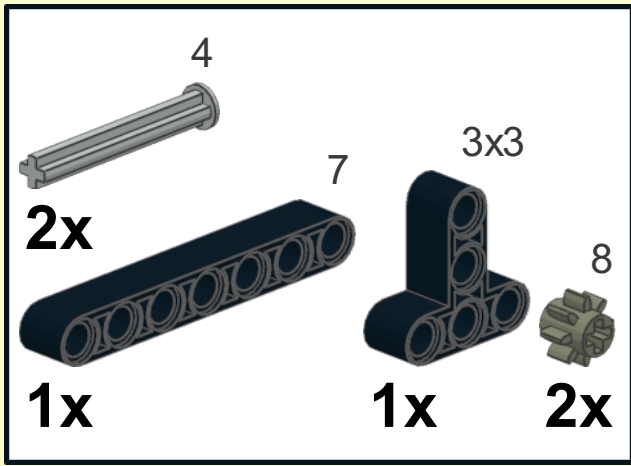
12



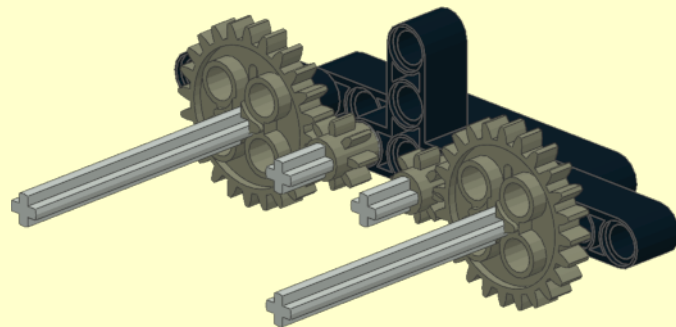
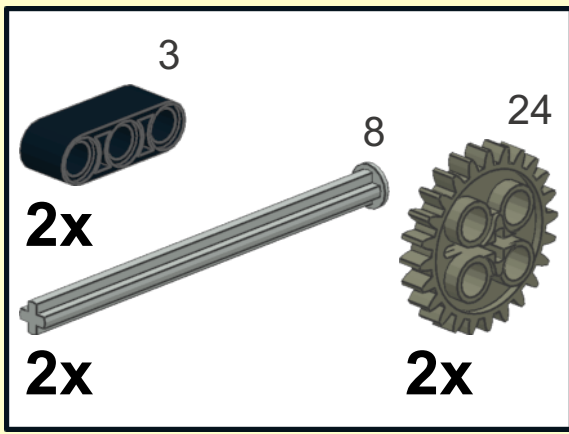
13



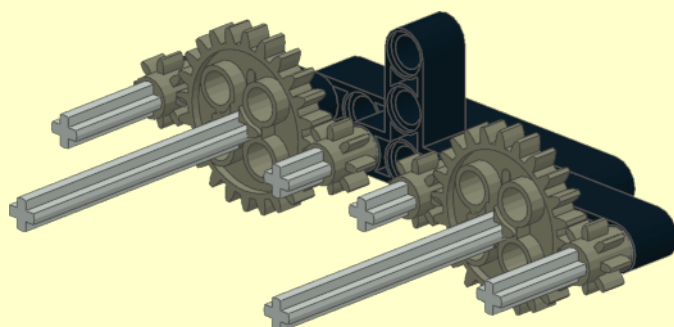
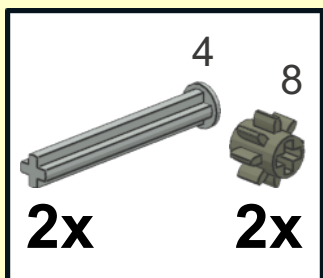
1



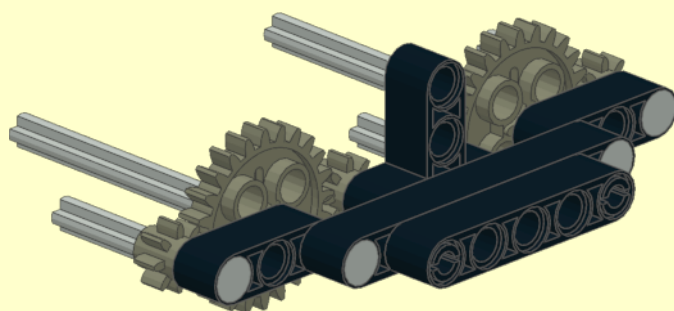
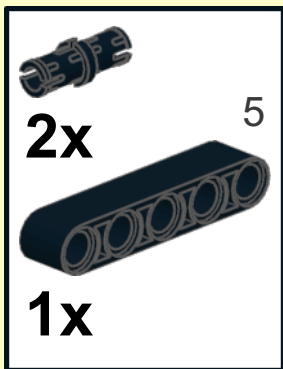
2



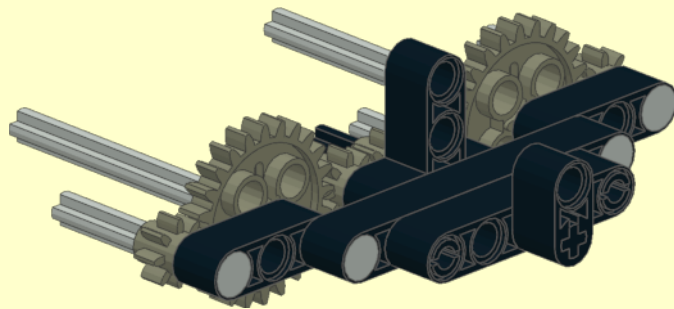
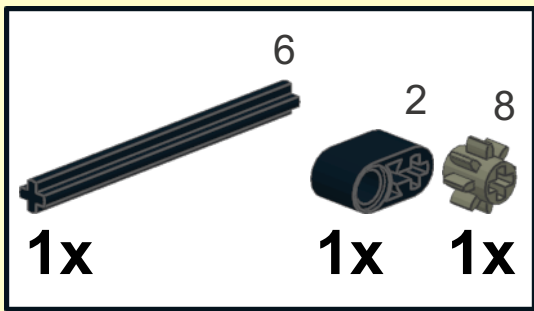
3



4

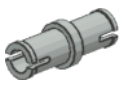


5

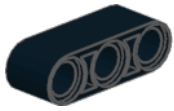




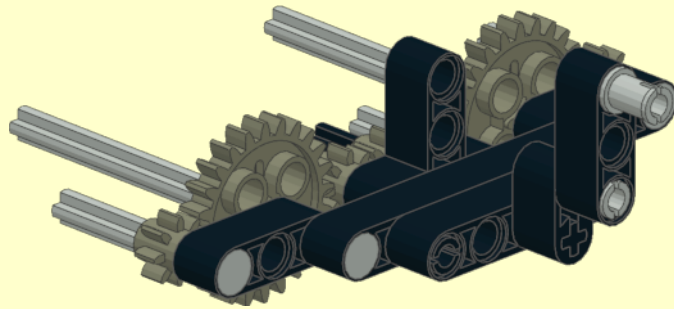
6



2x 3

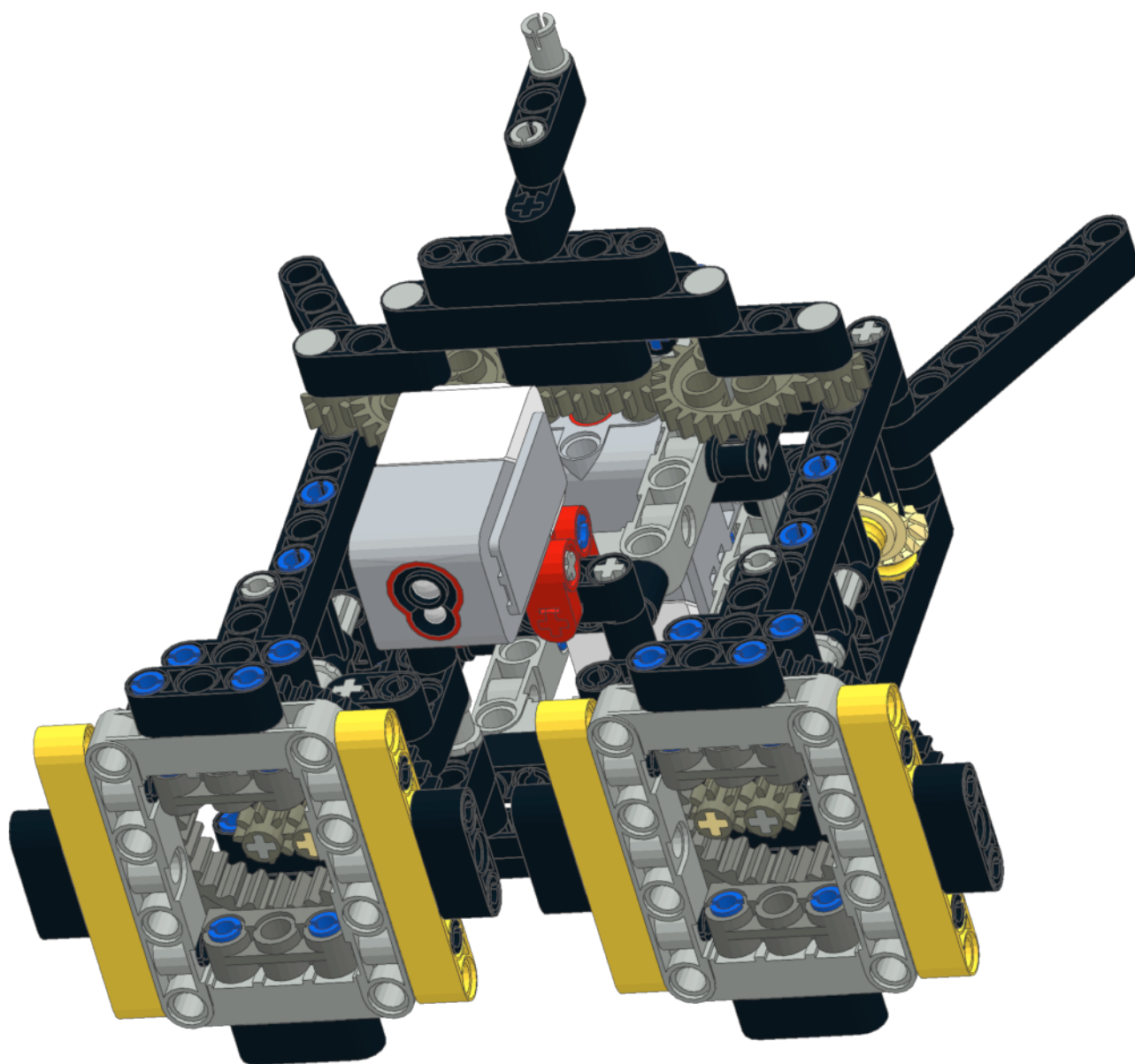


1x

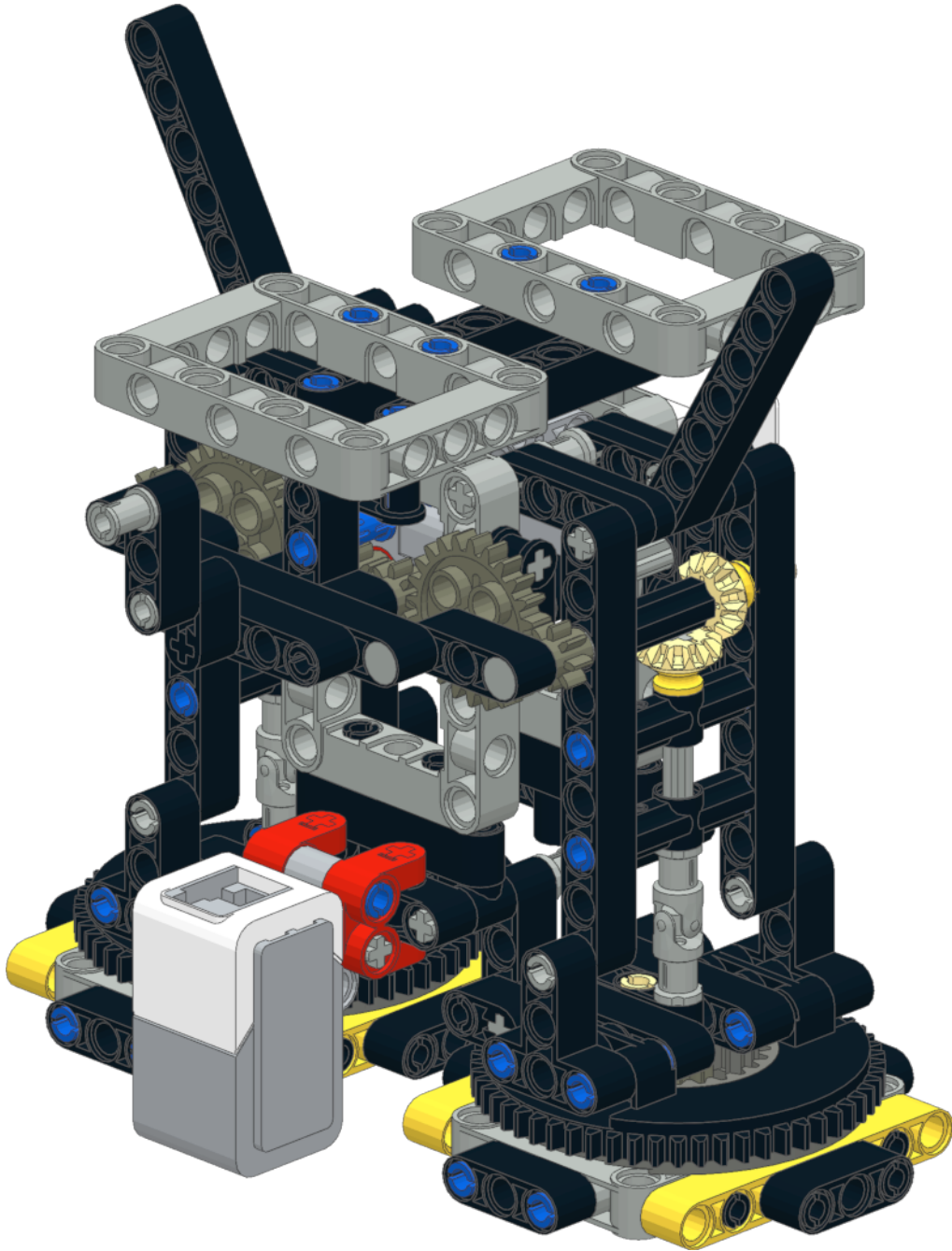
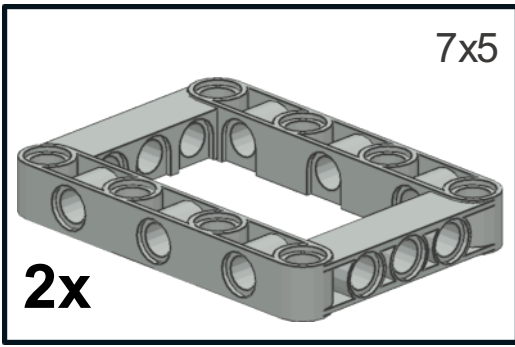


14

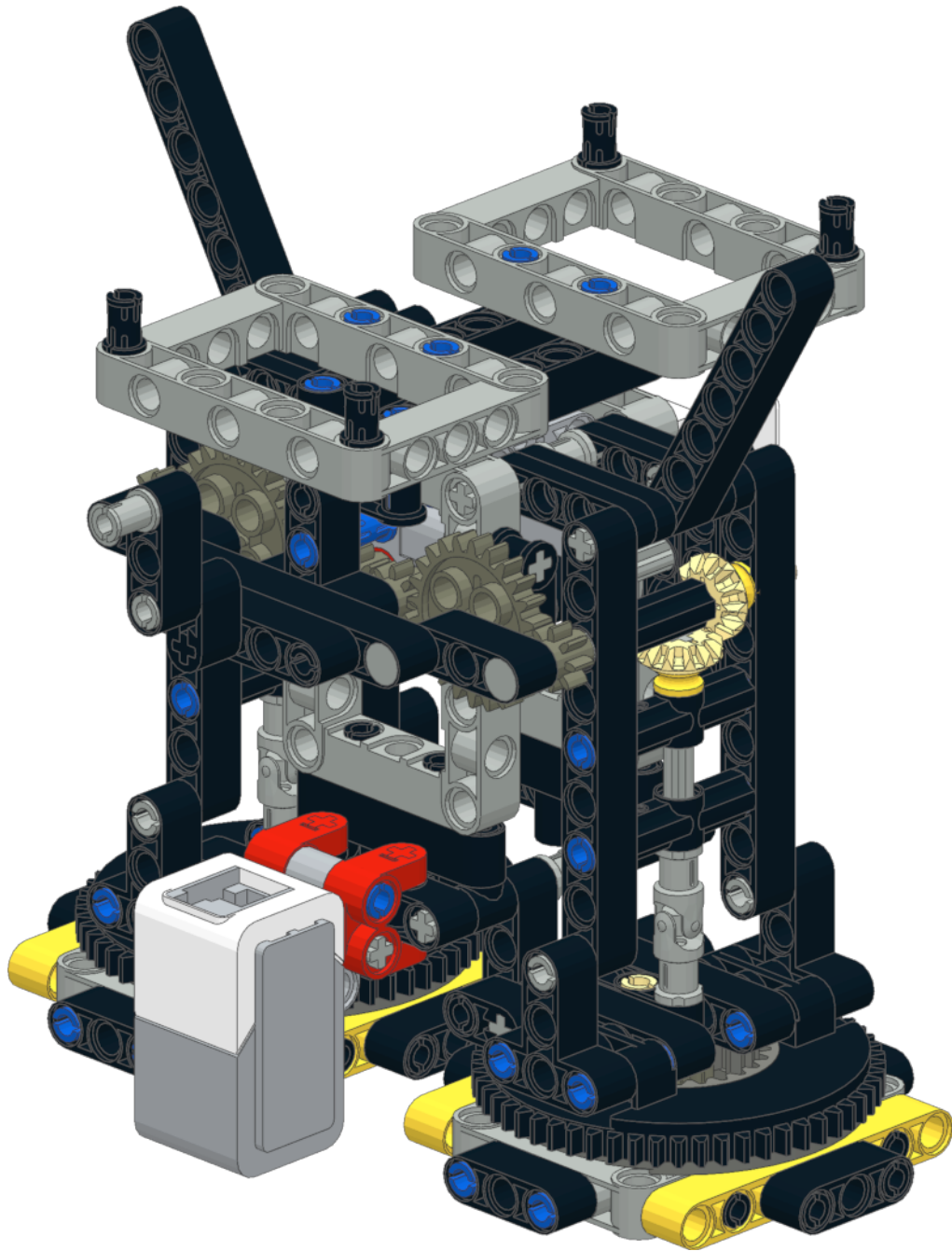
8  
  
2x

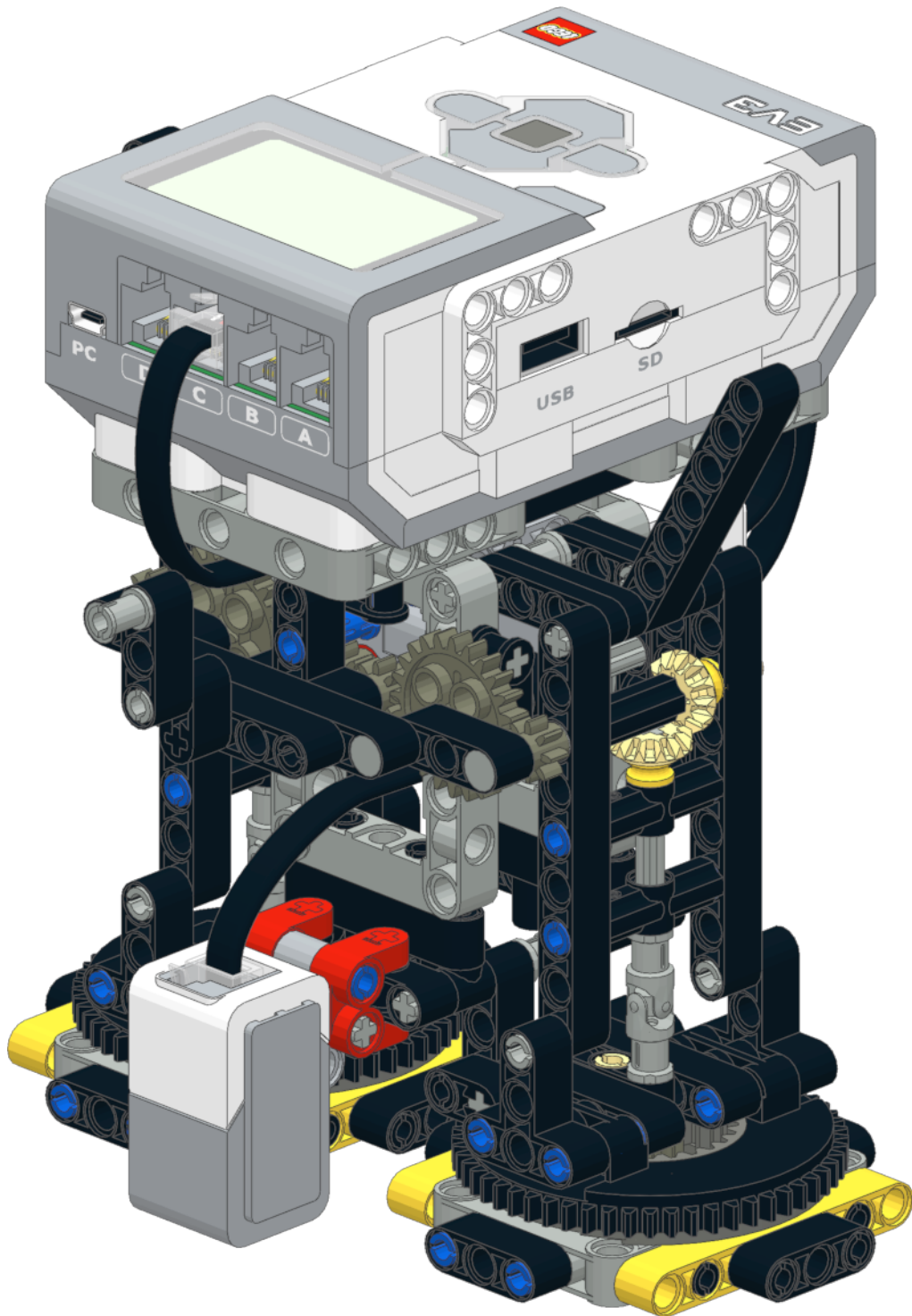


15

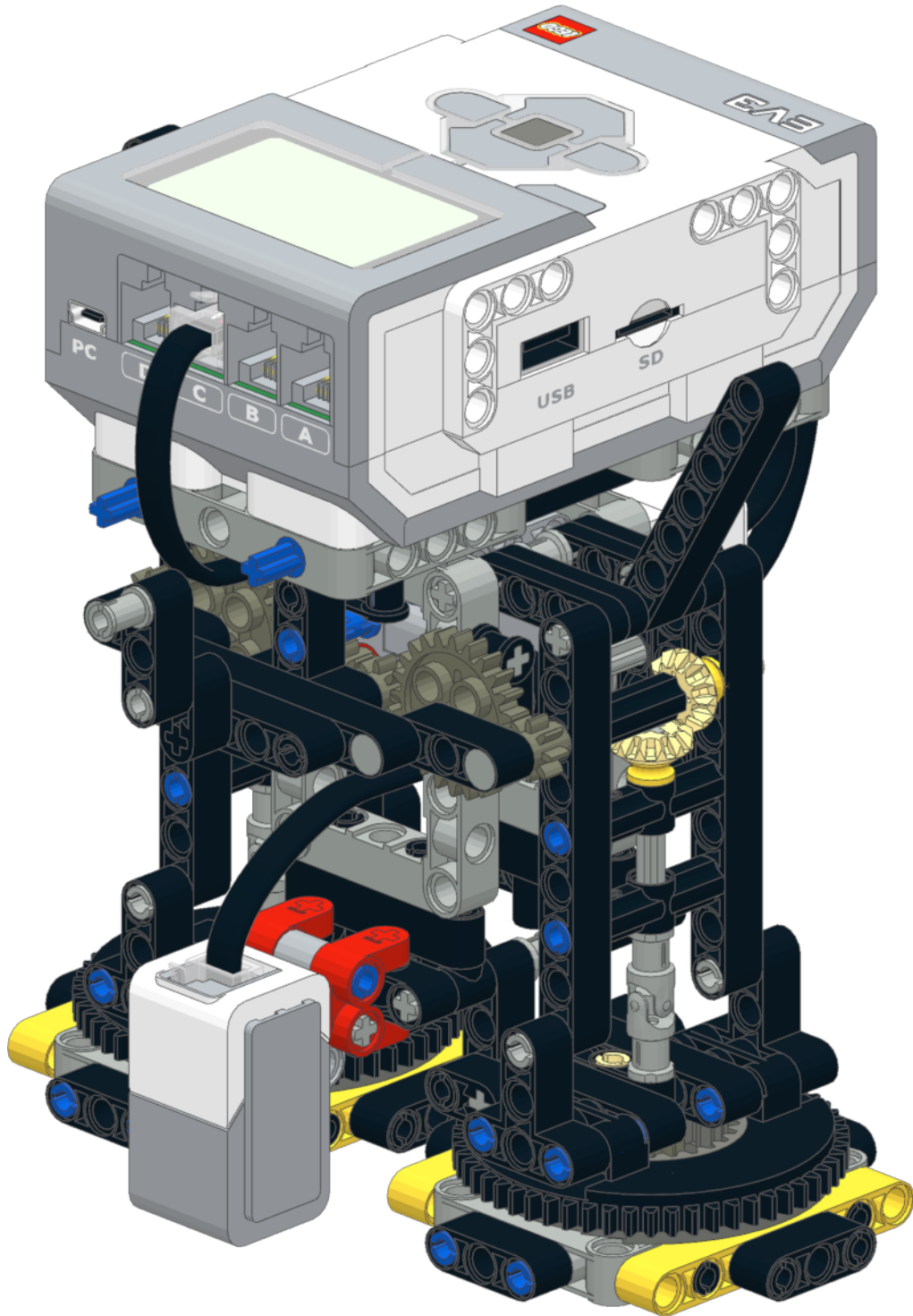


16

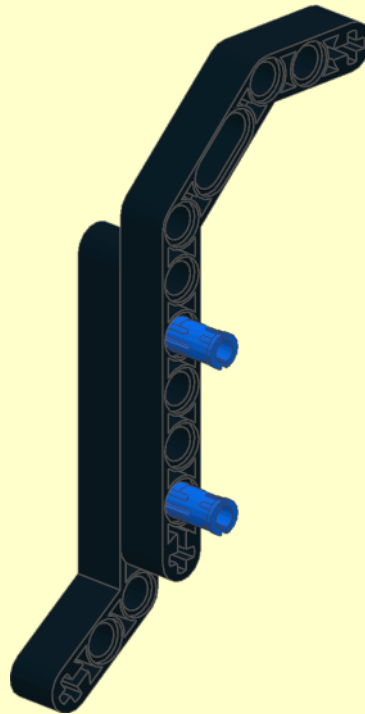
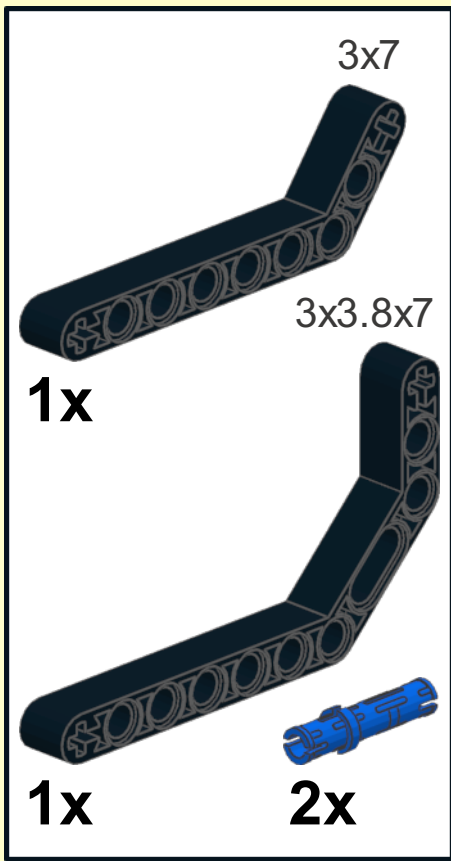




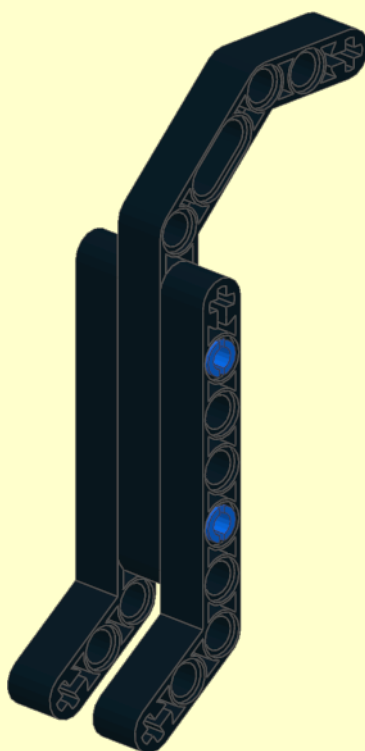
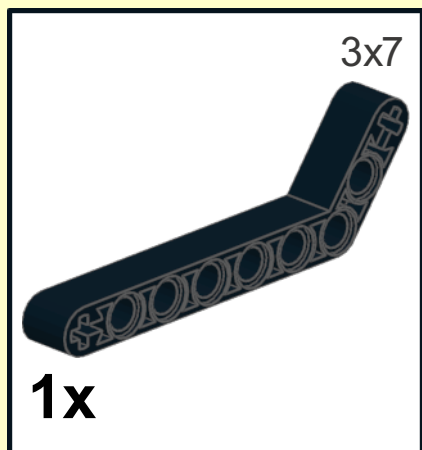
18



1

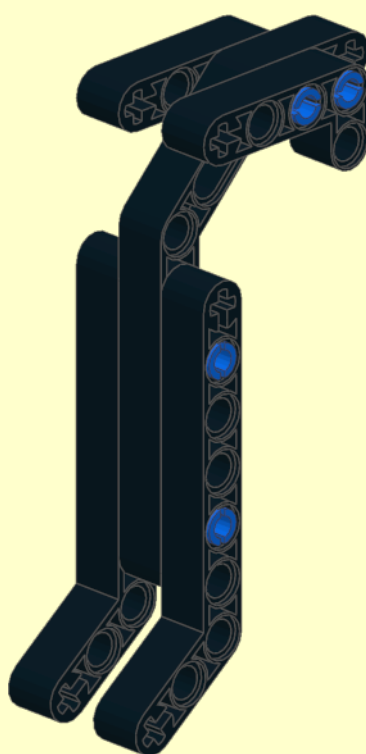
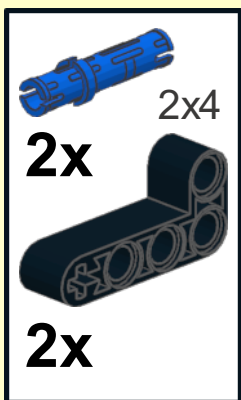


2

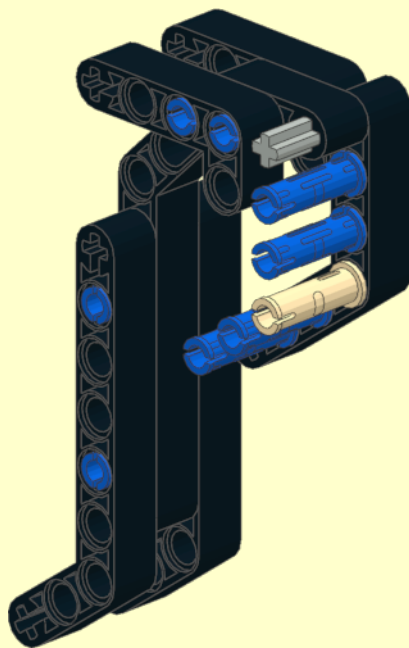
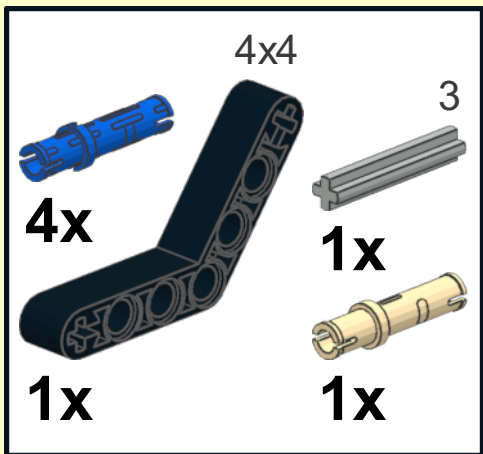




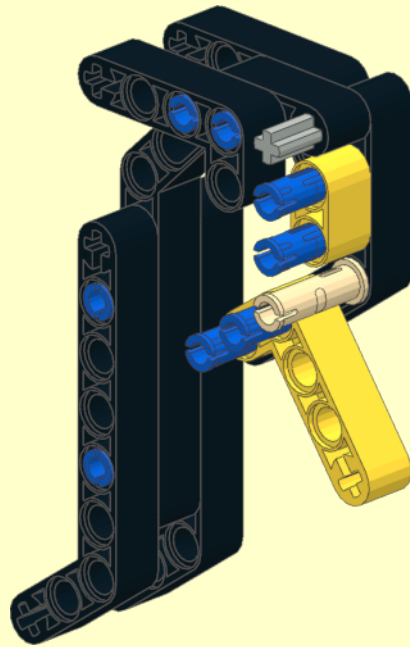
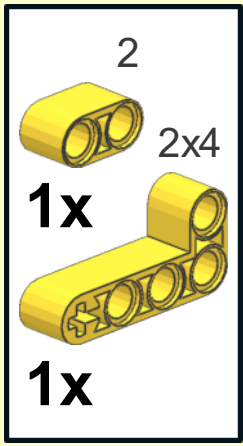
3



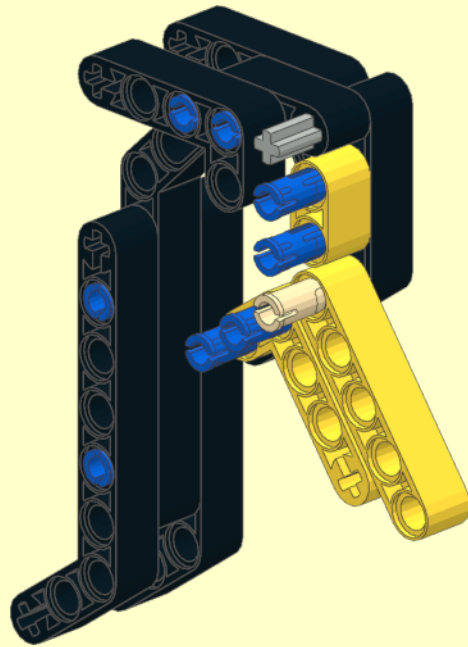
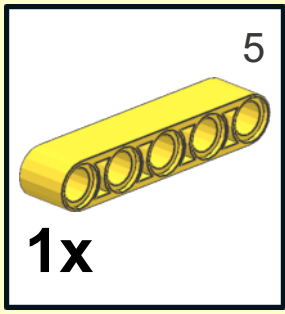
4



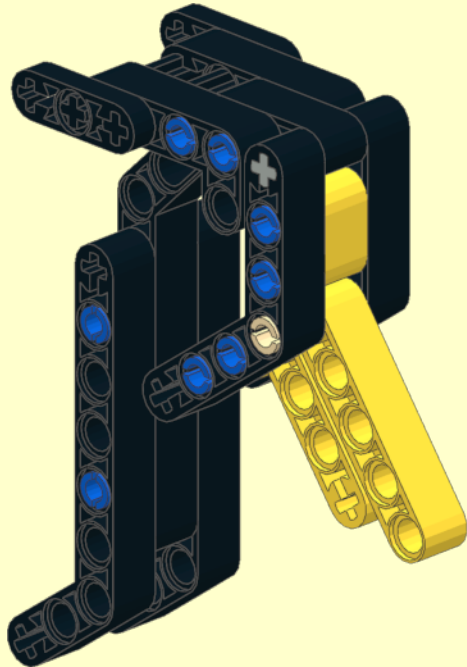
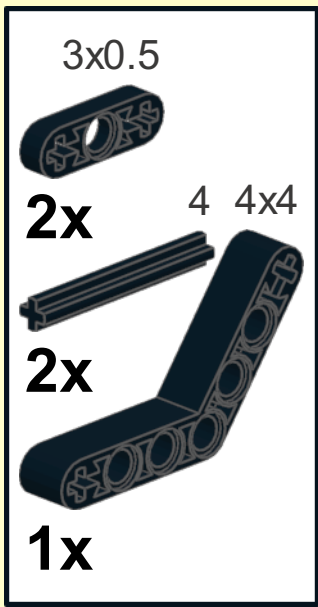
5



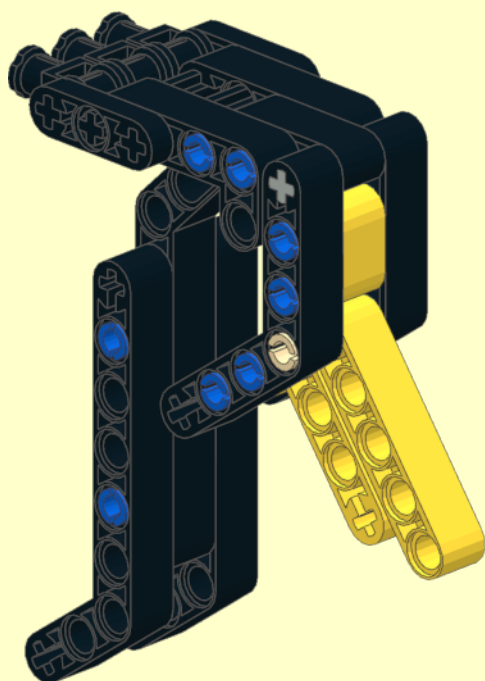
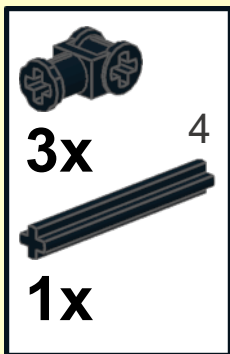
6



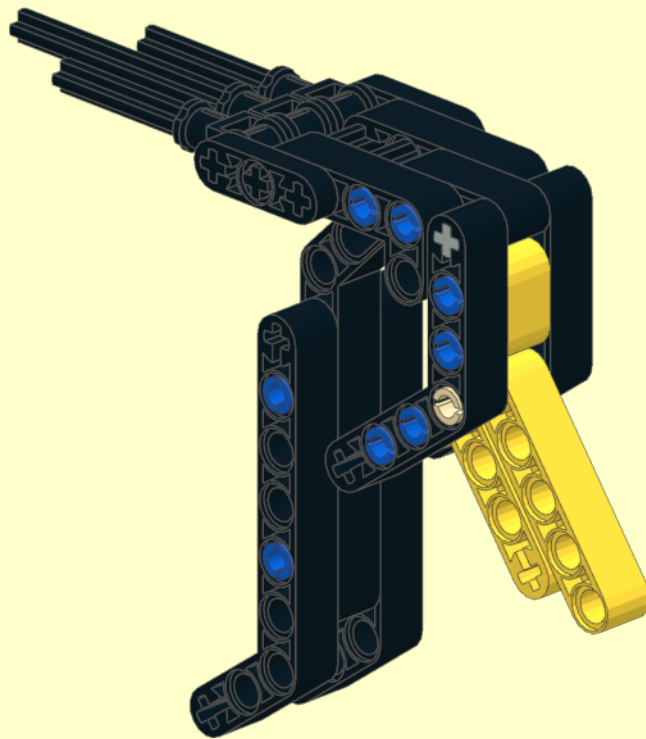
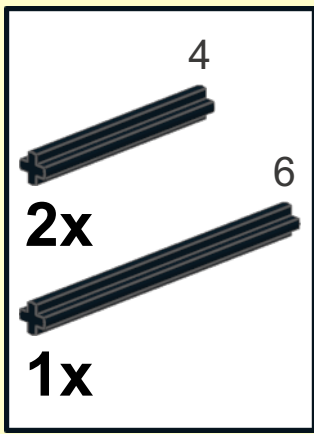
7



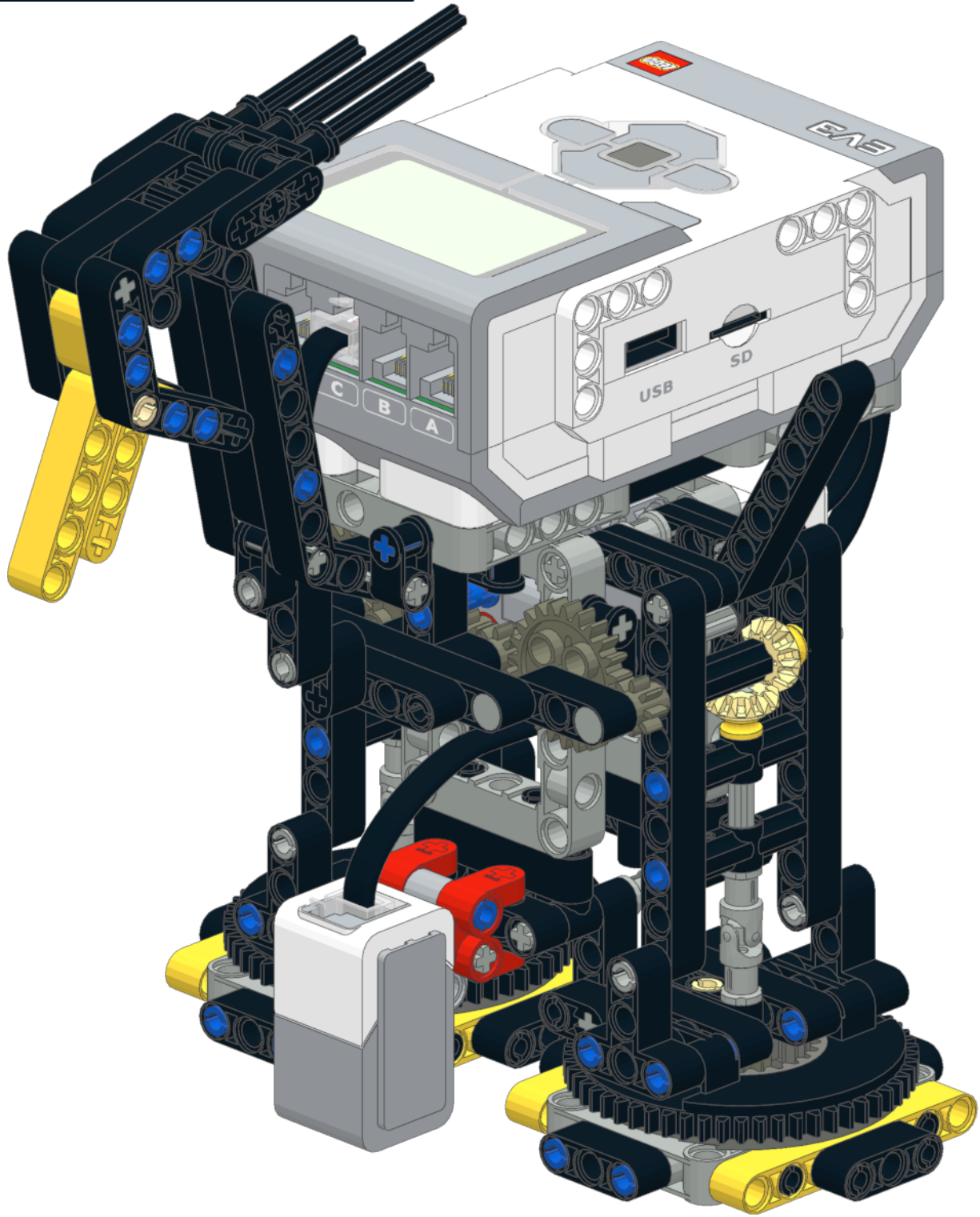
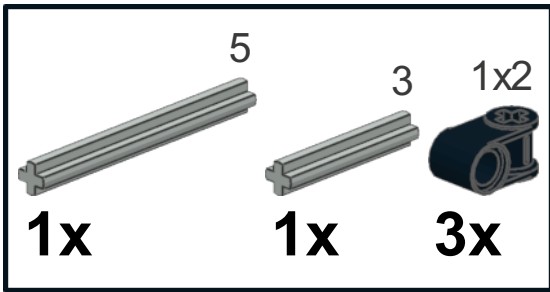
8



9

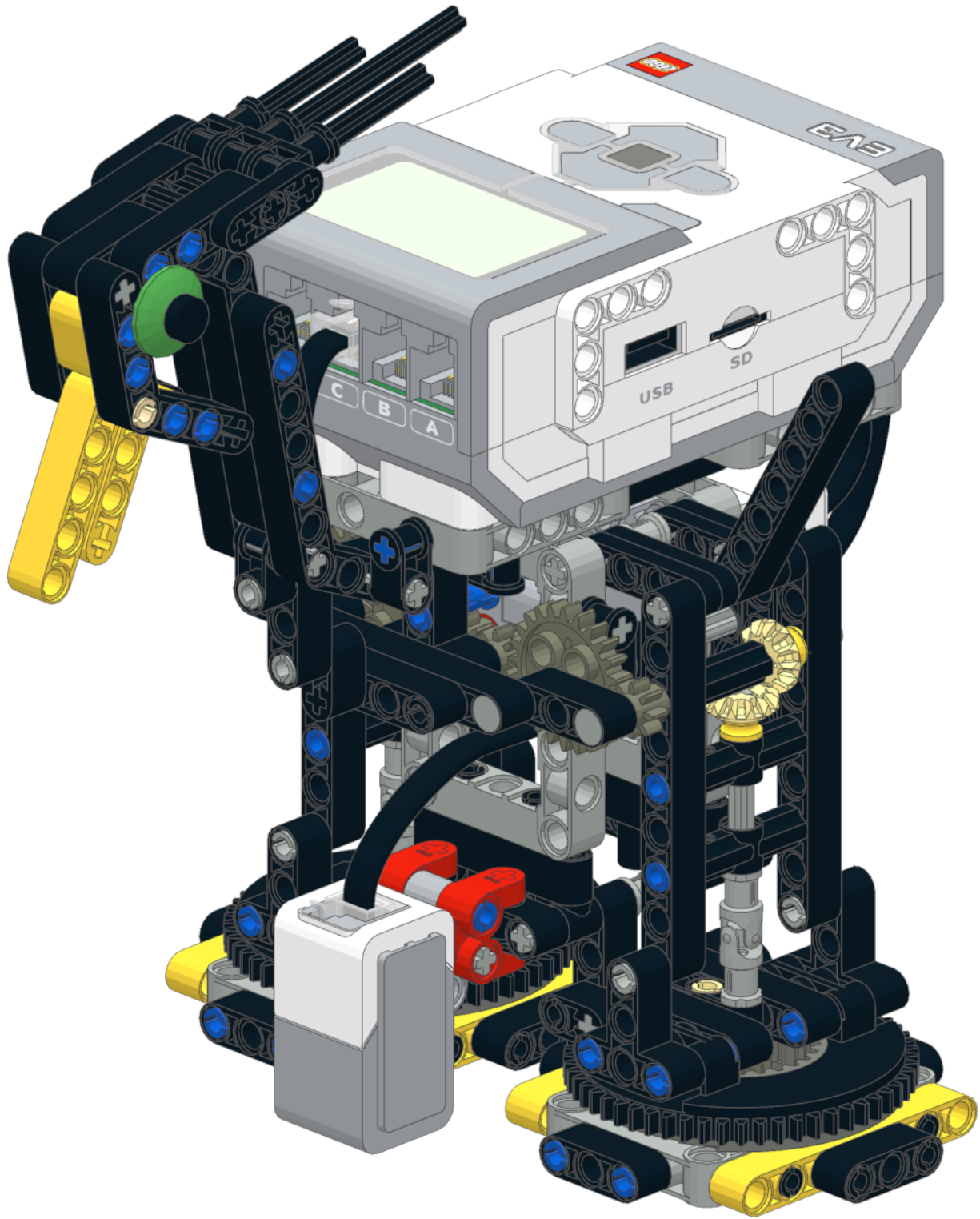
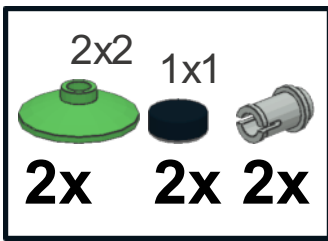


# 19

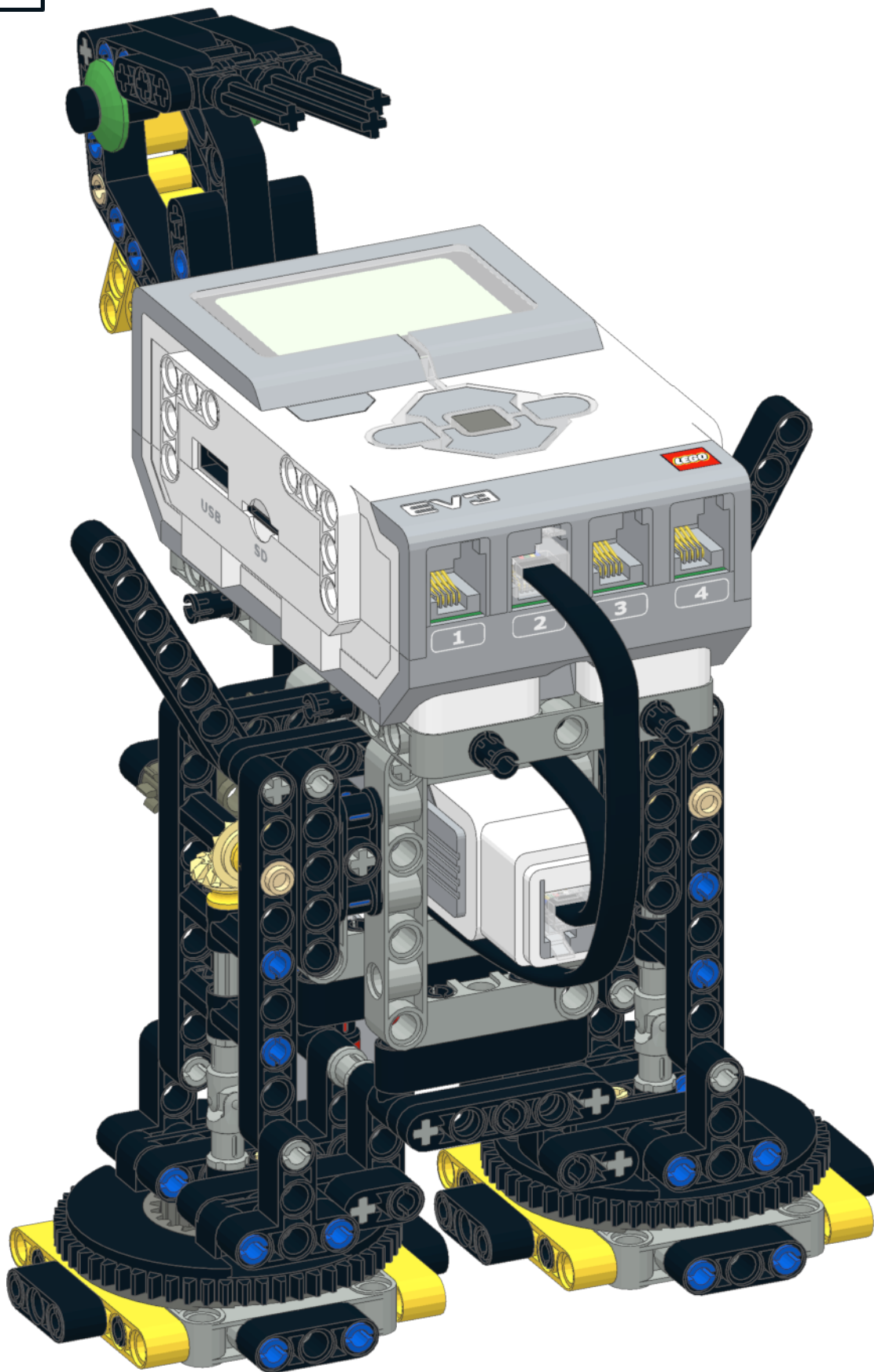




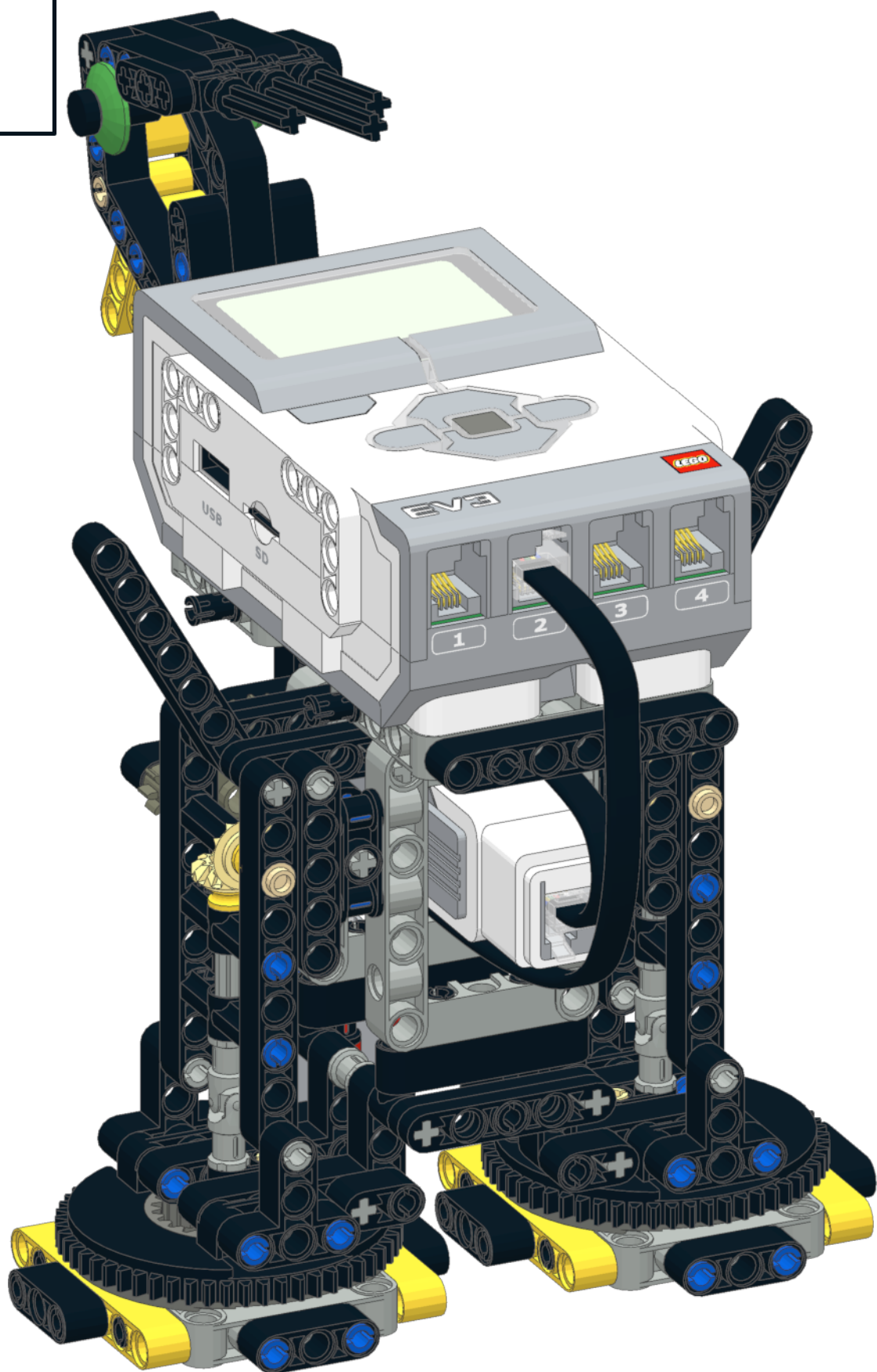
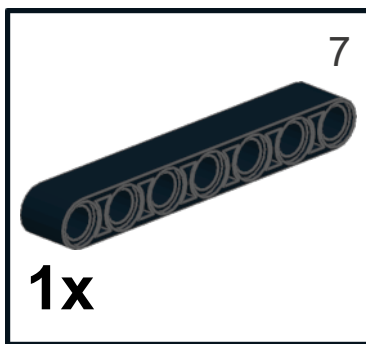
20

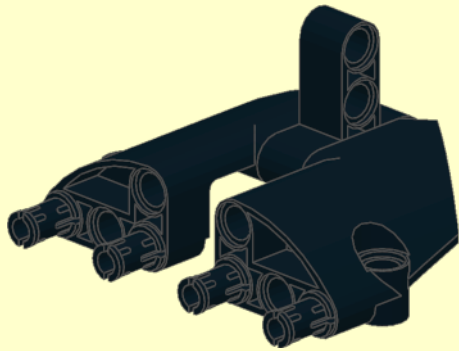
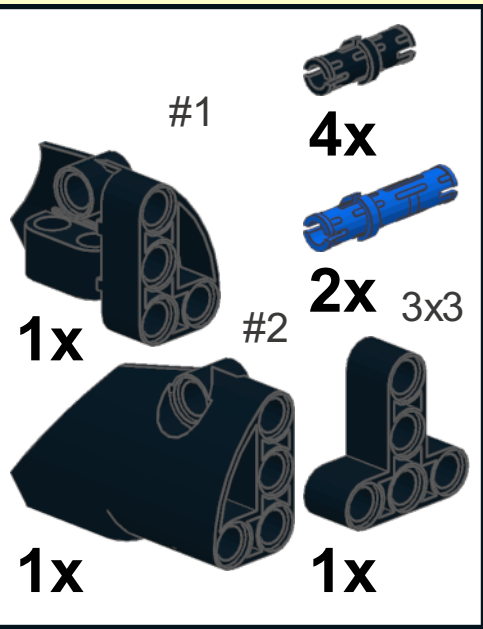


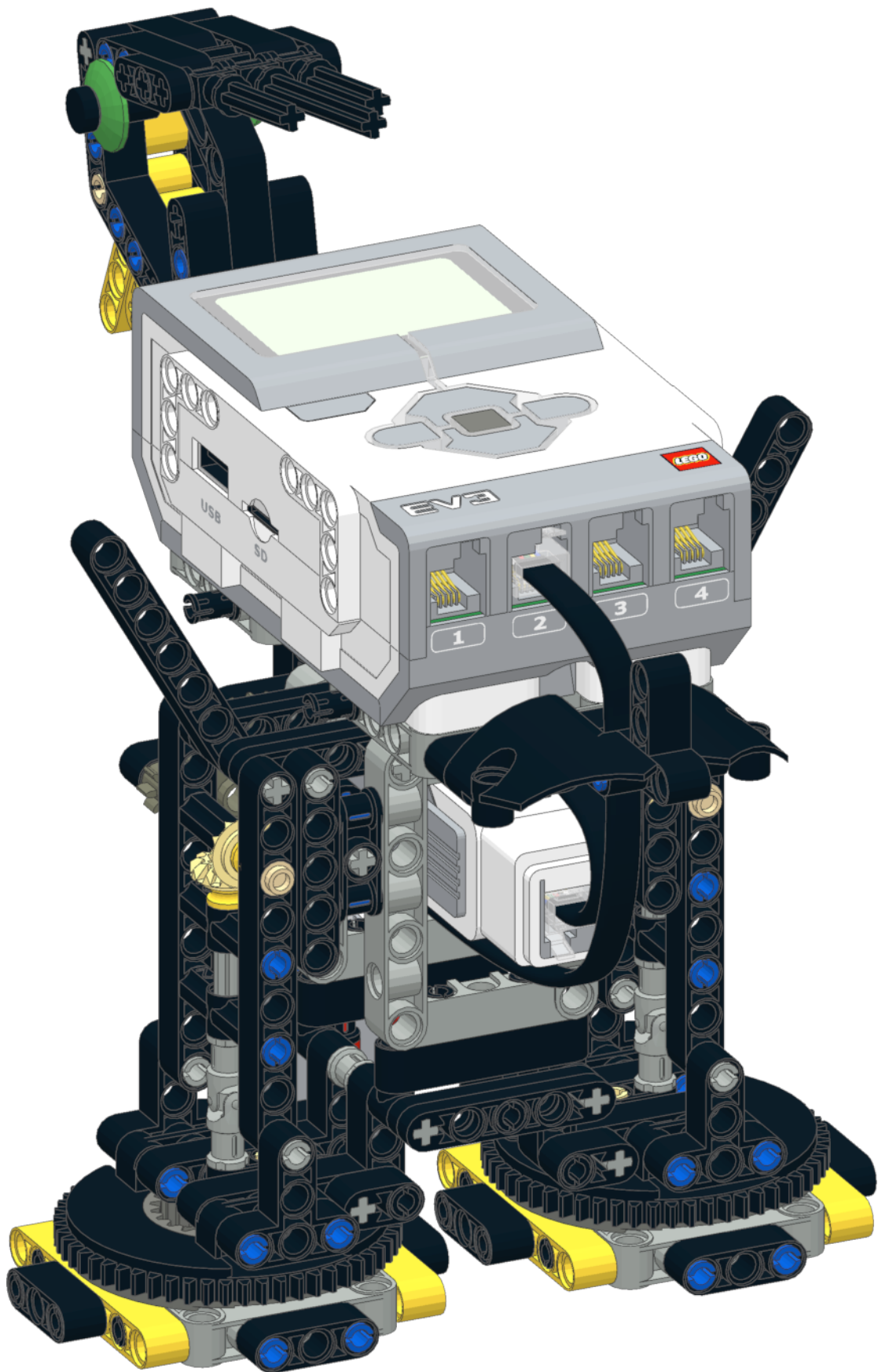
21



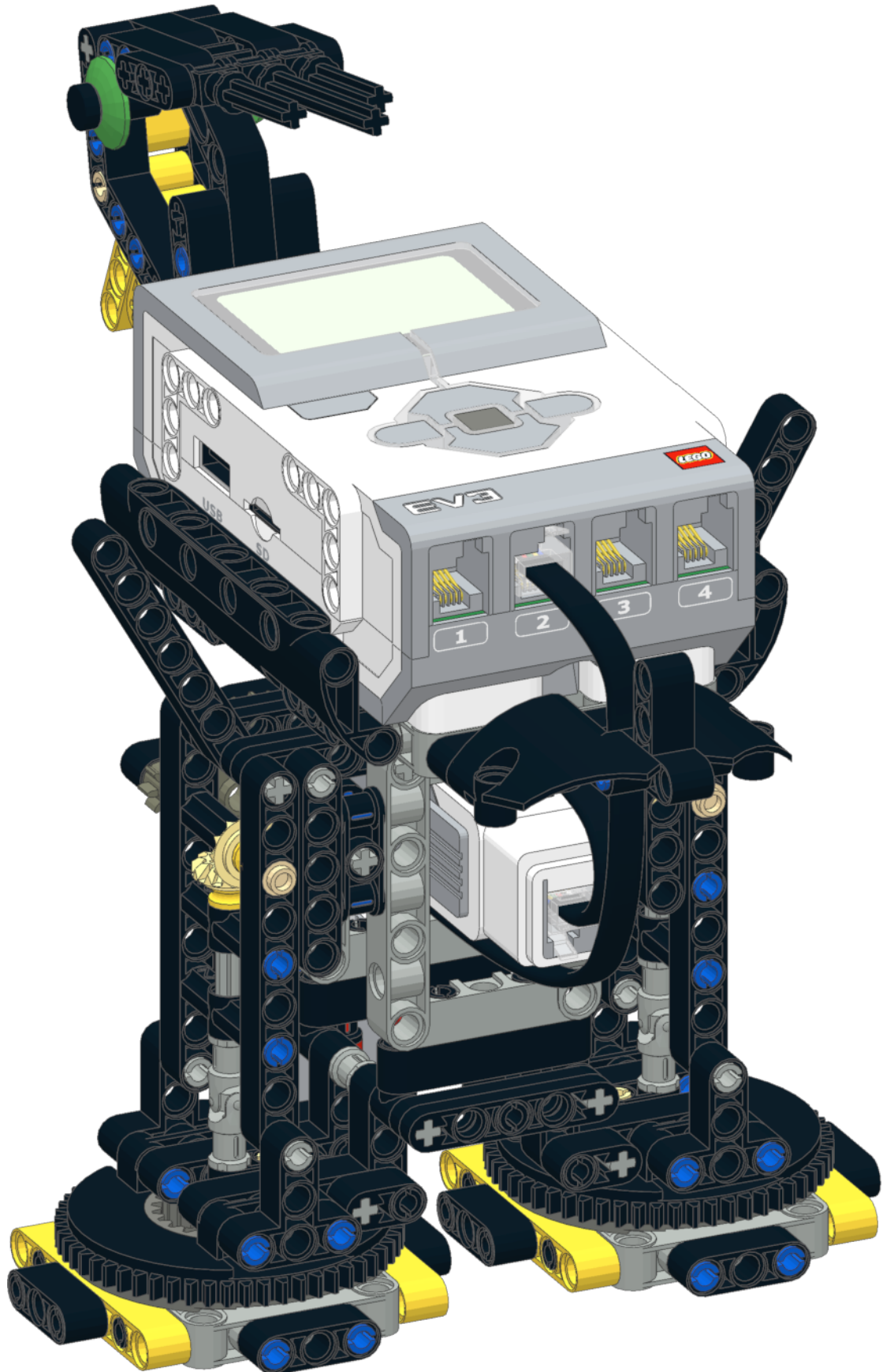
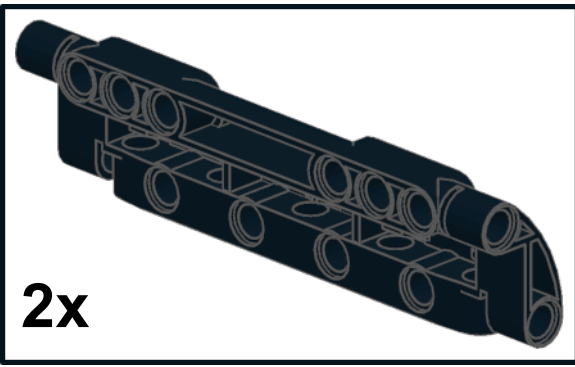
22



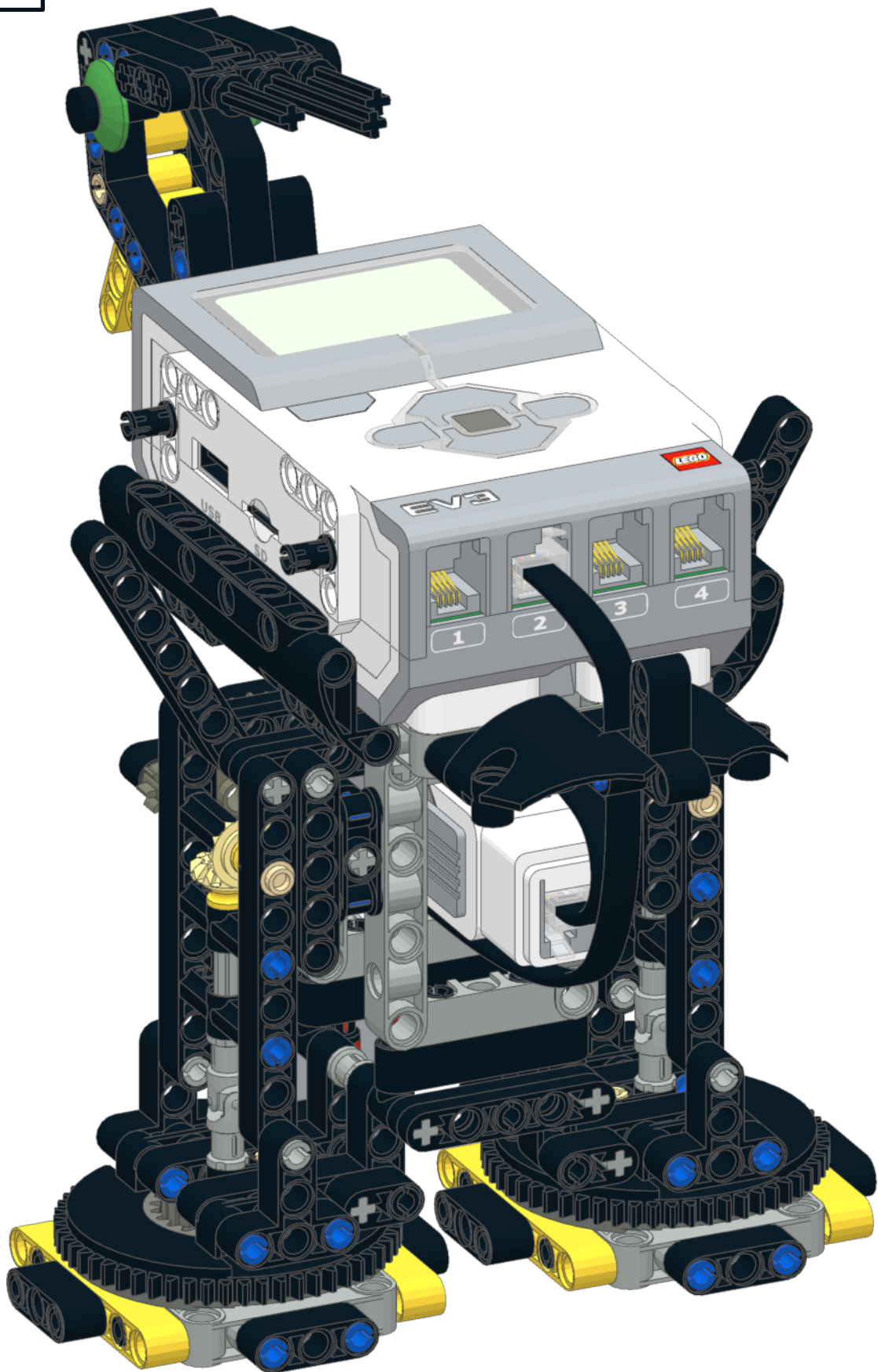


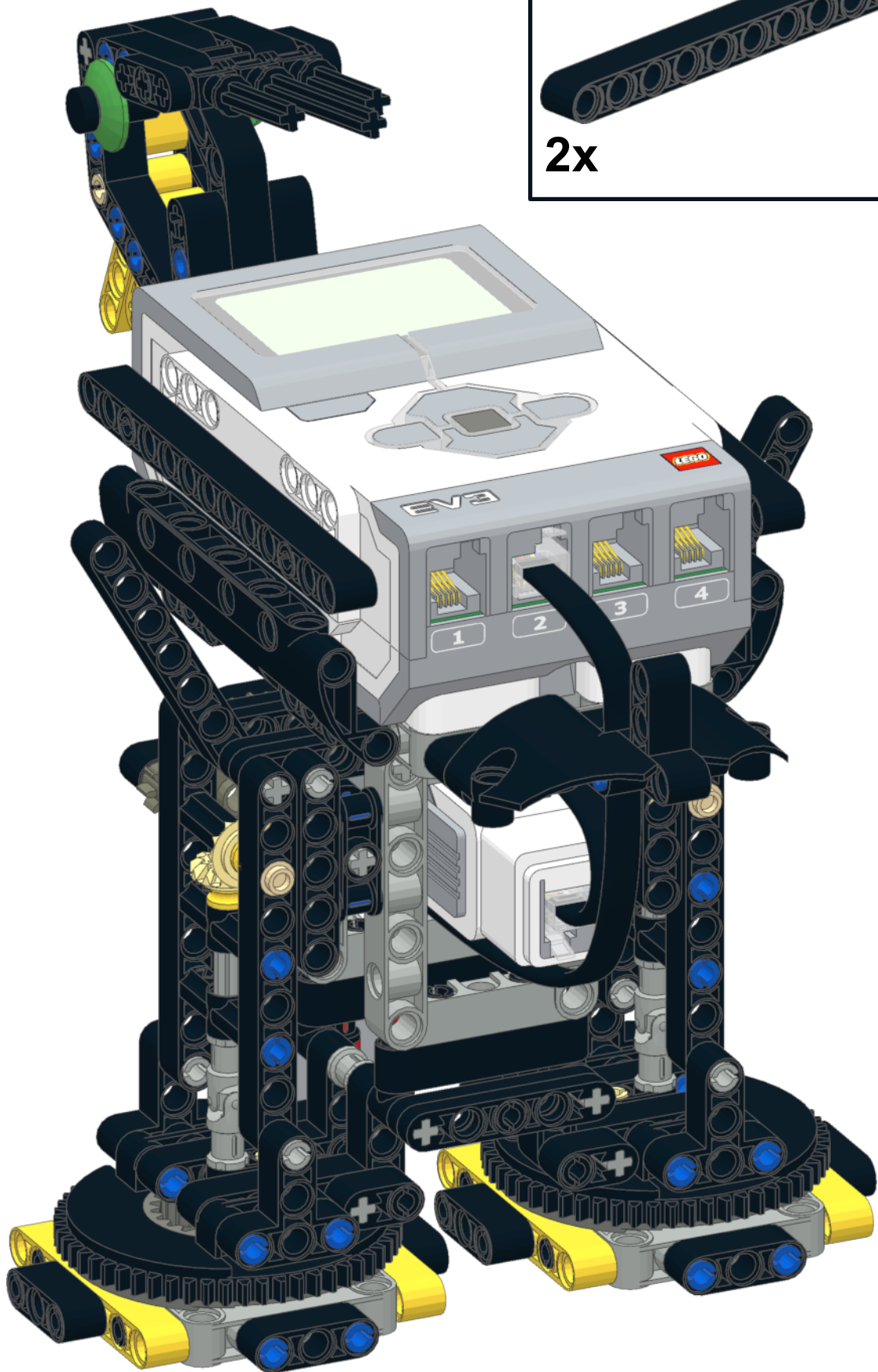


24



25

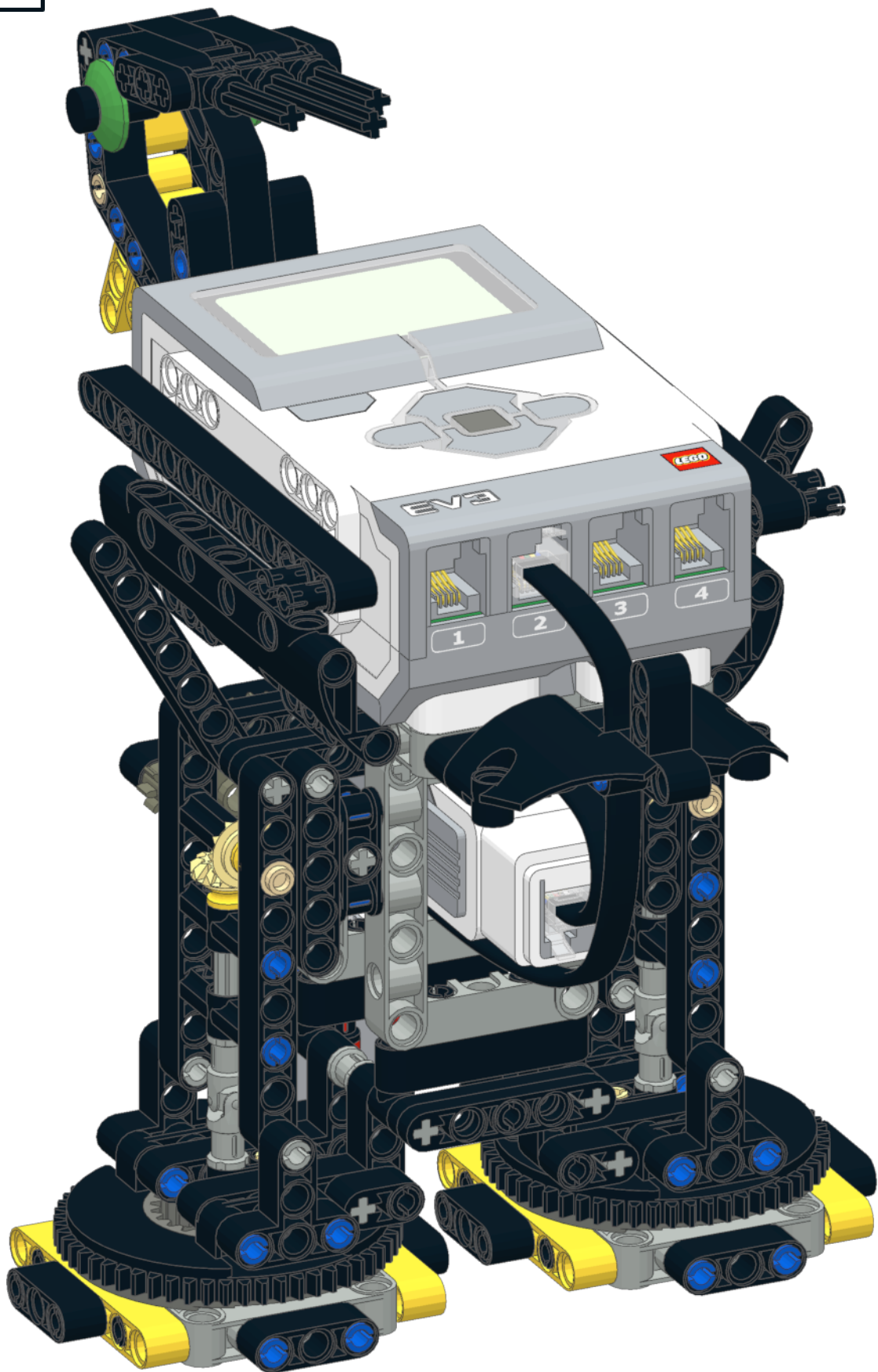


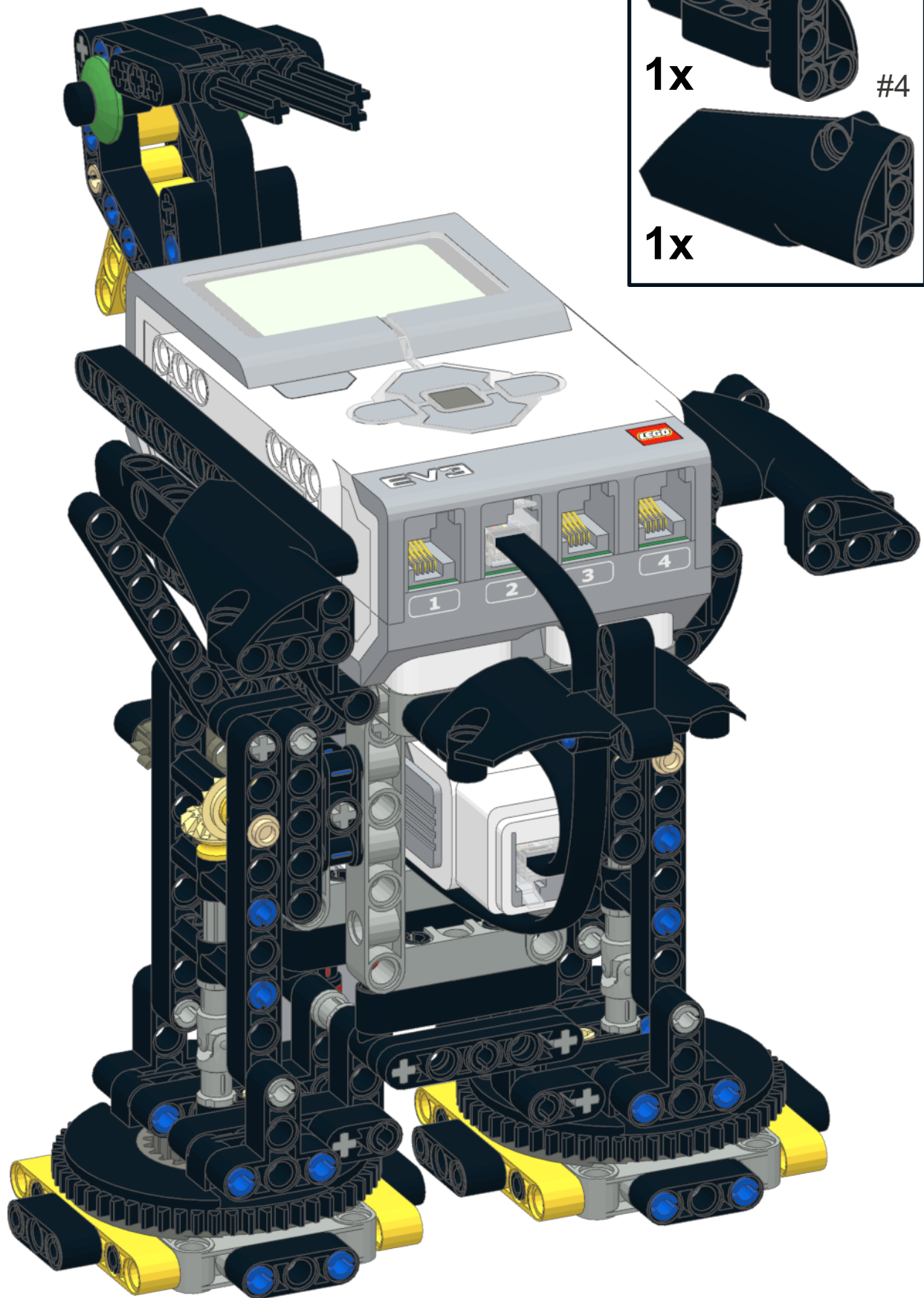


2x

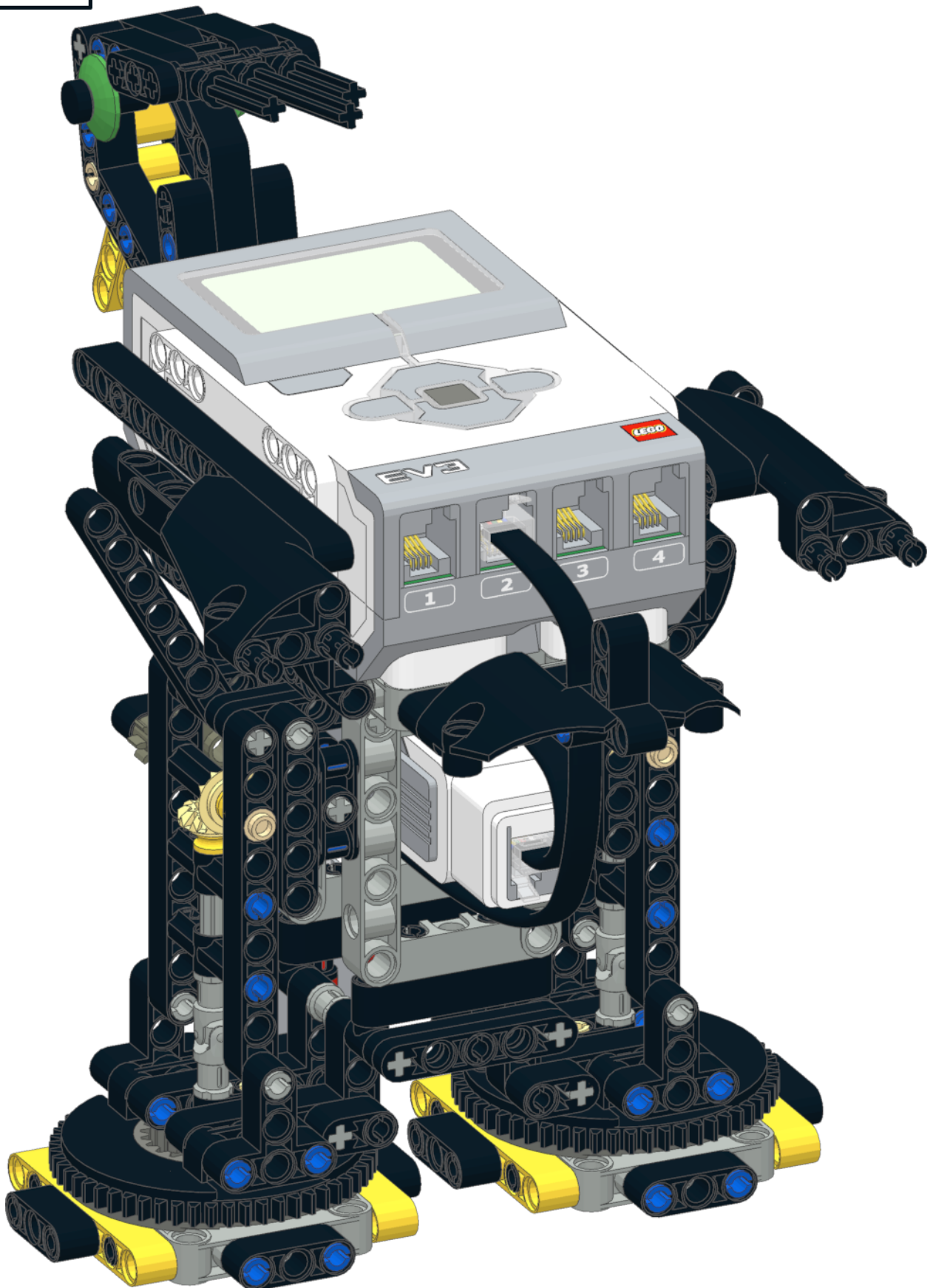


27

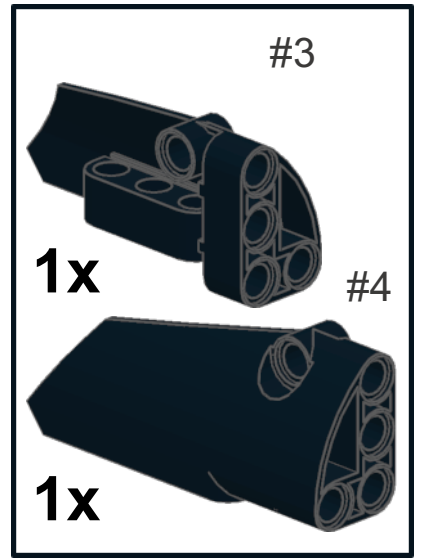
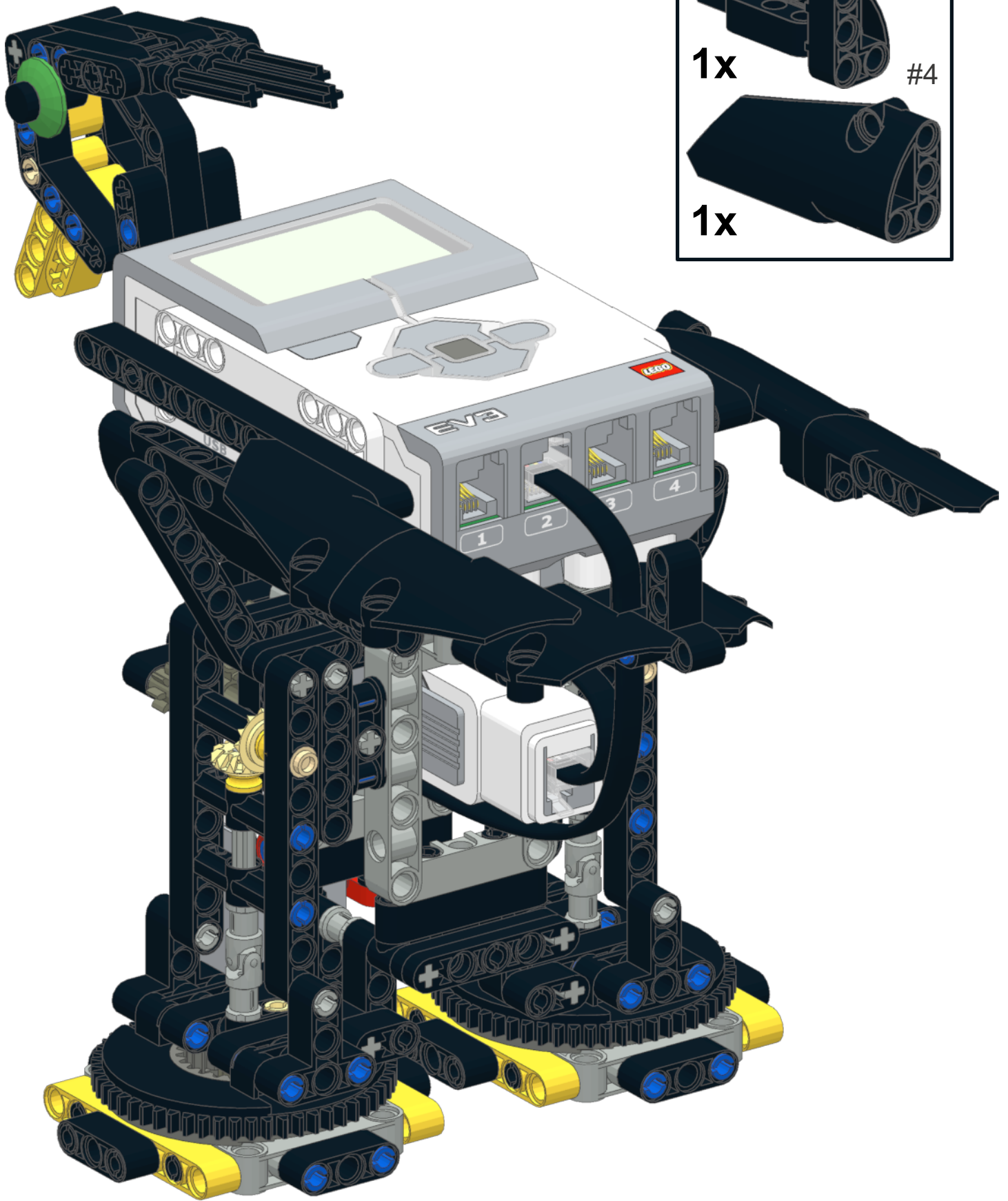




29



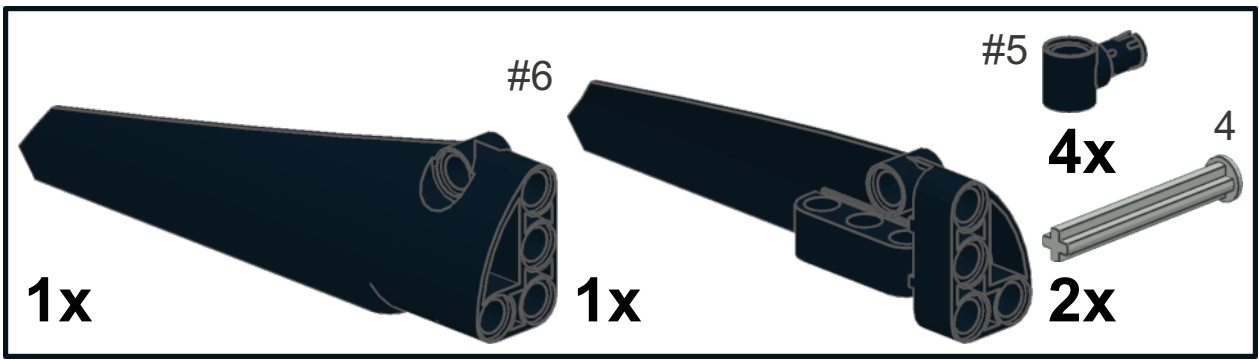
30



31



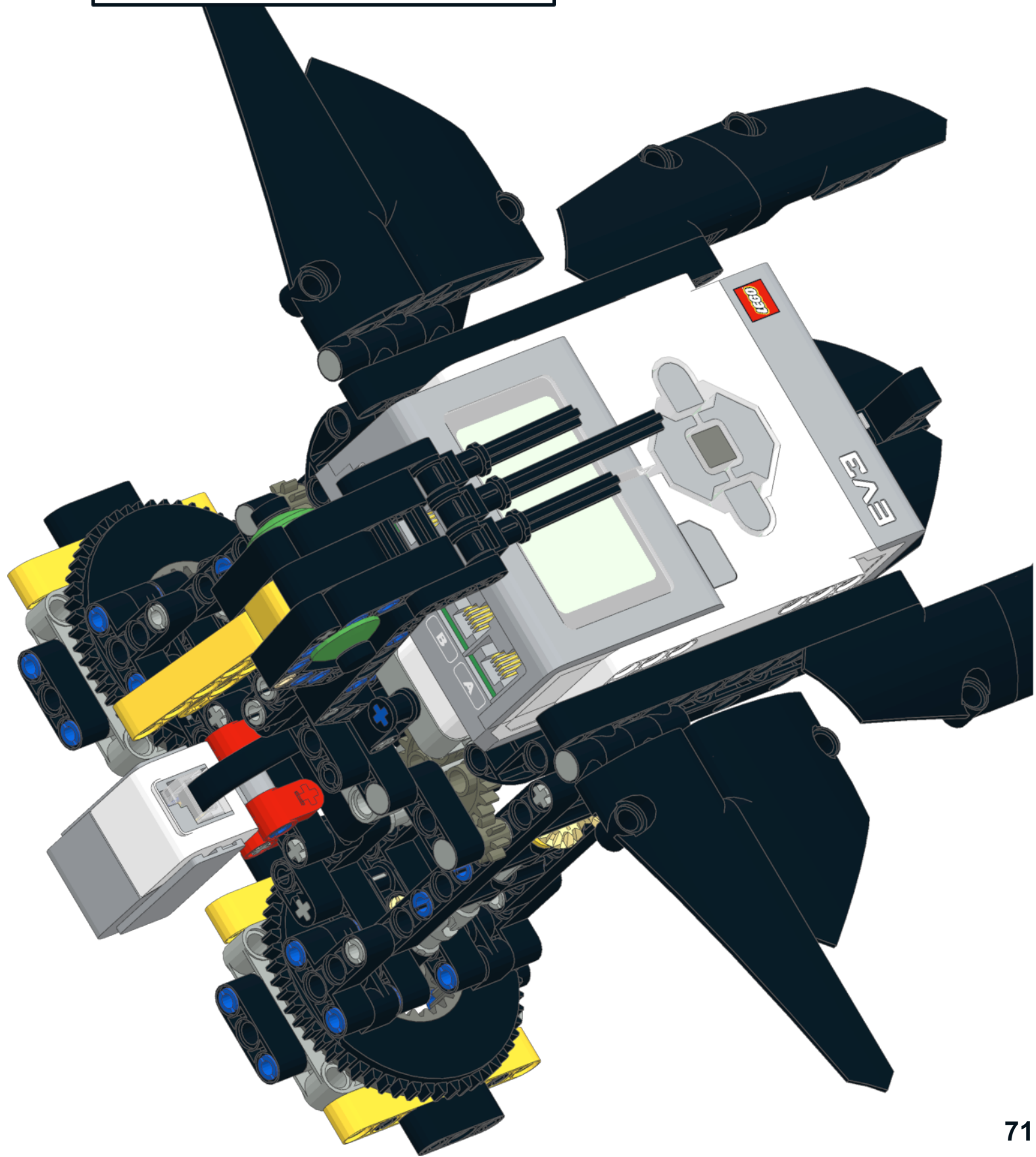
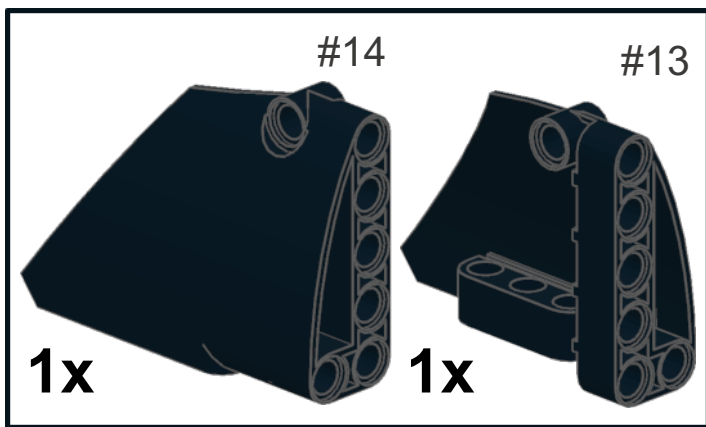
# 32



33



# 34

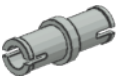




35



2x



2x

