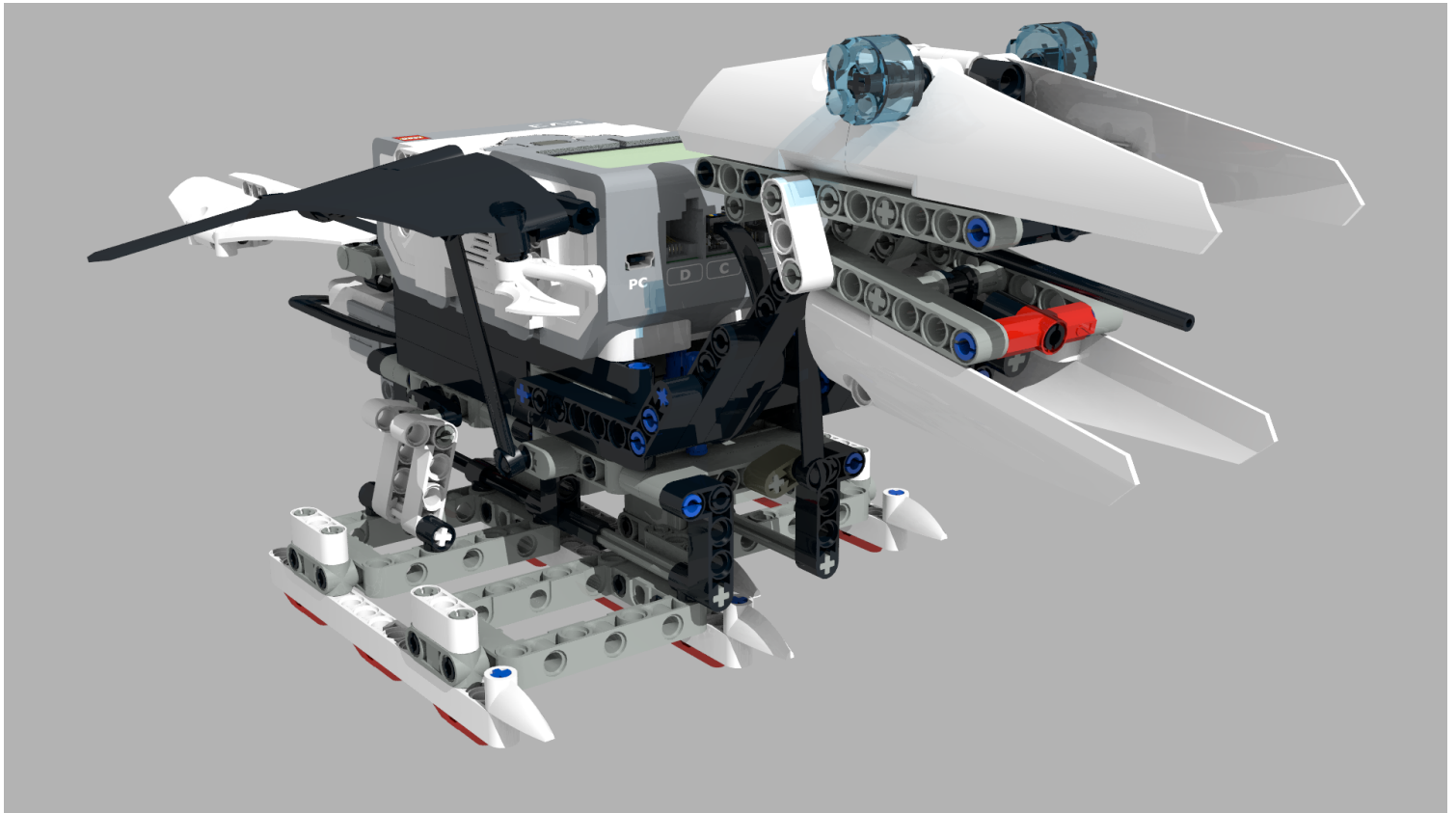


# PT3ROSAUR

Biped walker using one medium motor

by  
Stu Nicholls

<http://www.stunicholls.com>



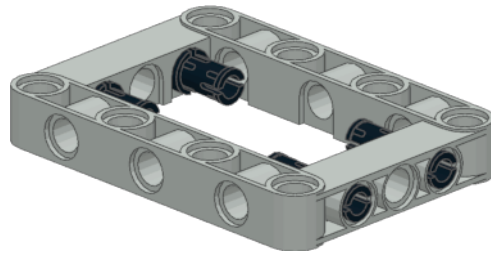
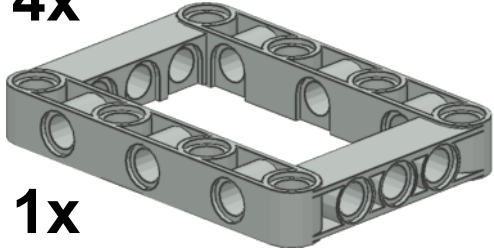
1



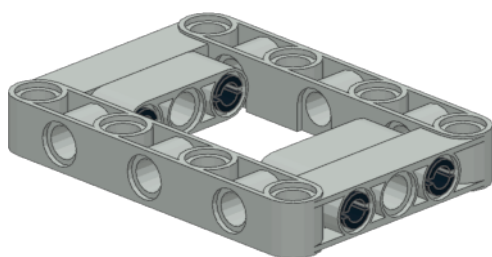
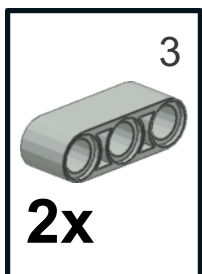
4x

7x5

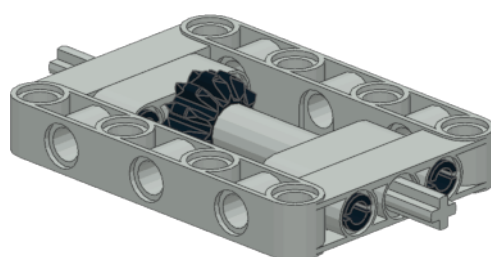
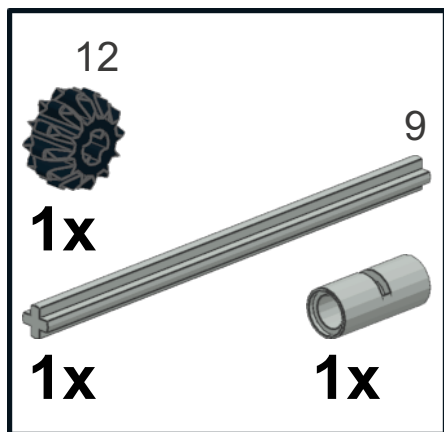
1x



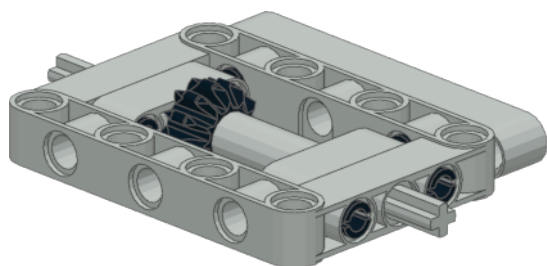
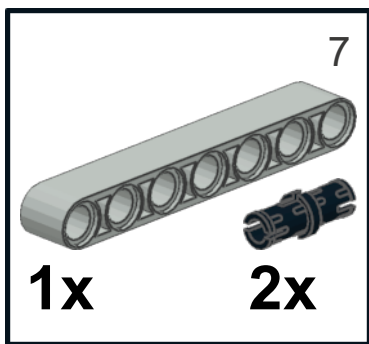
2



**3**



4

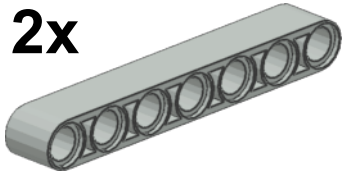


5

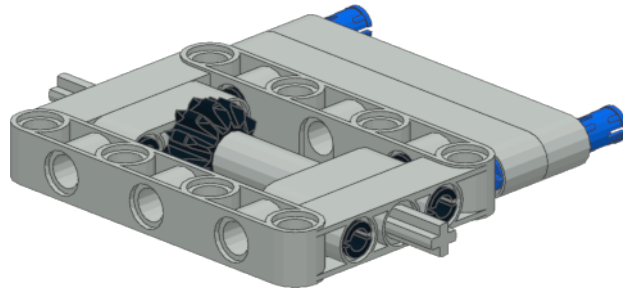


7

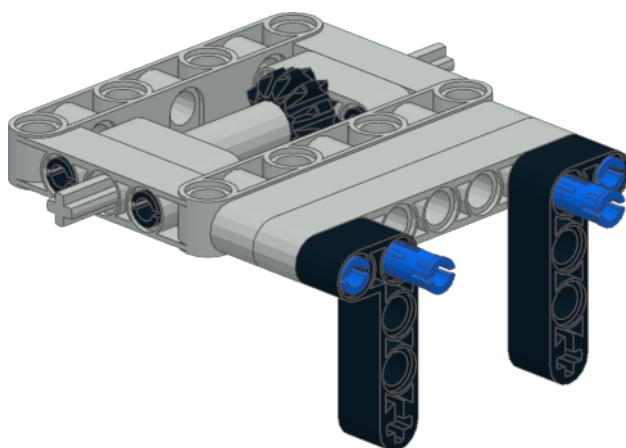
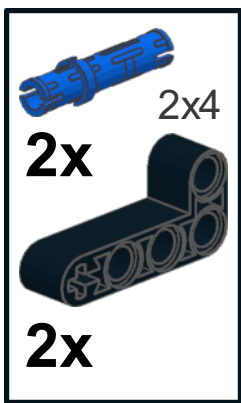
2x



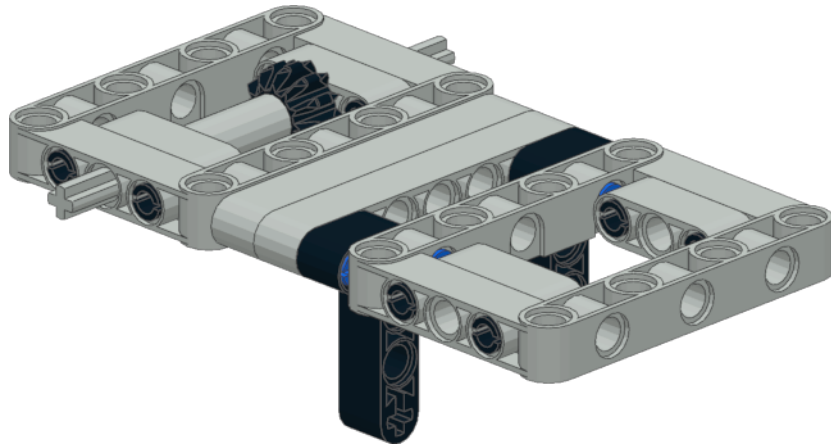
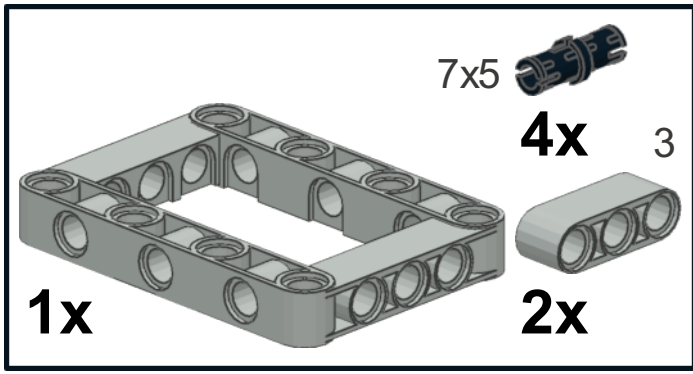
1x



6

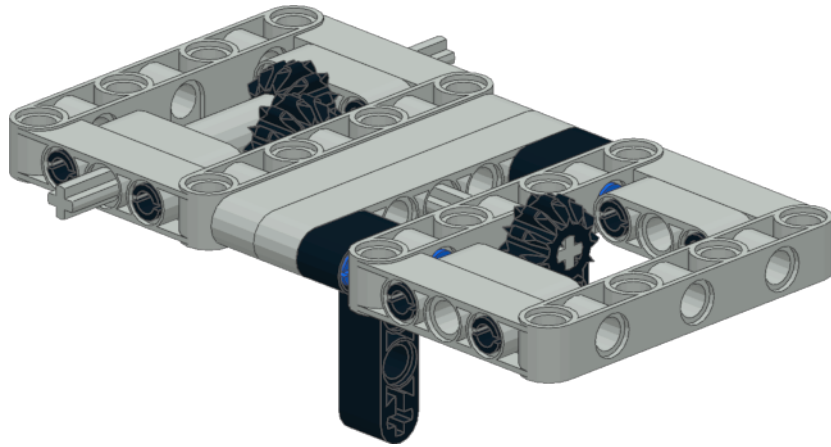
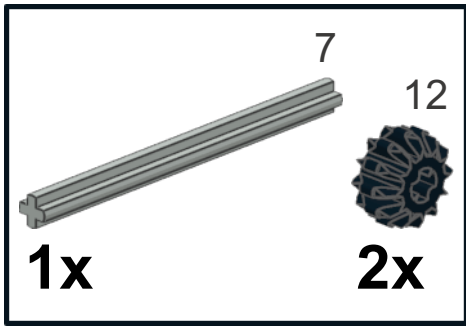


7

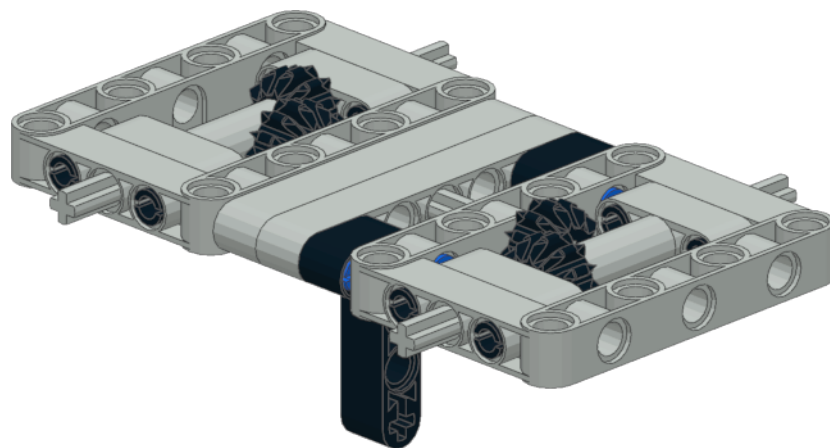
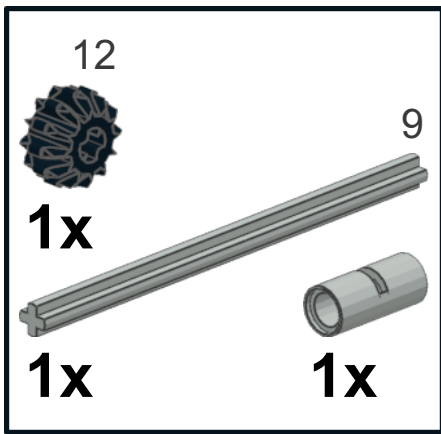




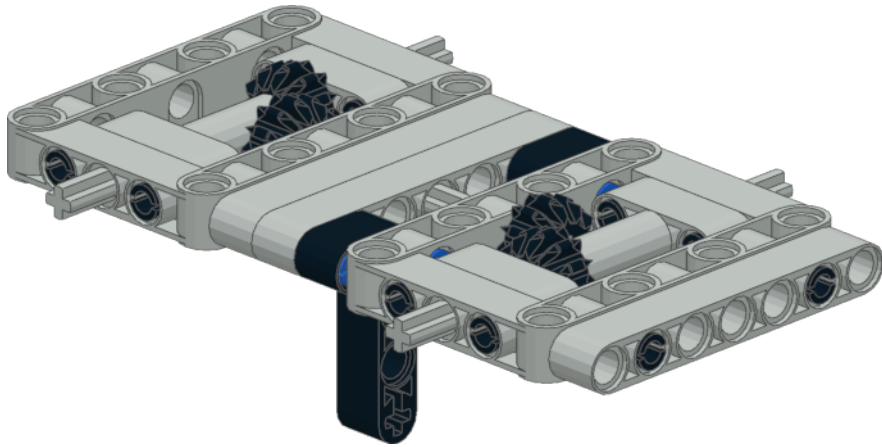
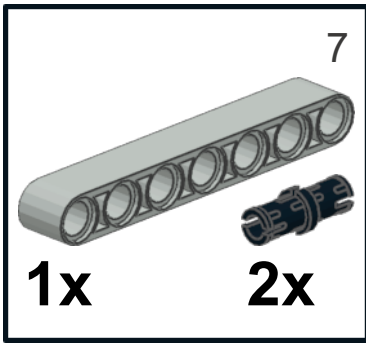
8



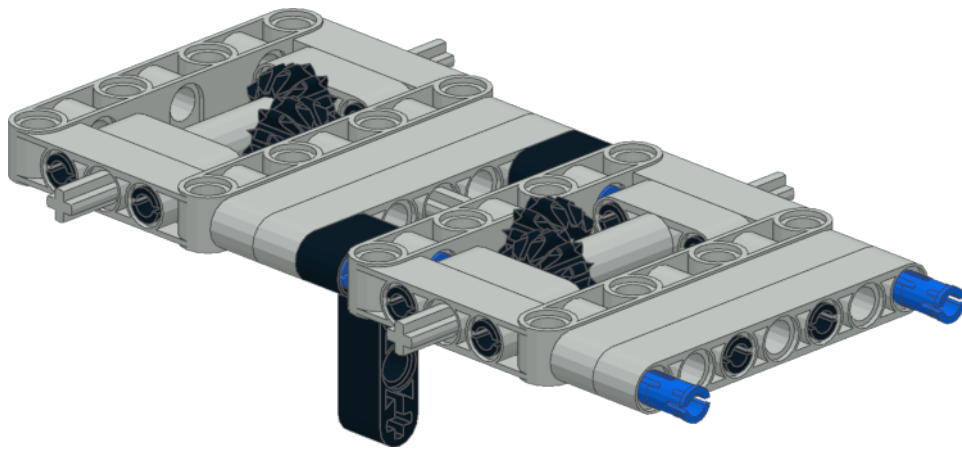
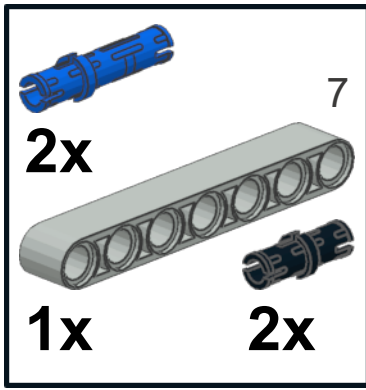
9



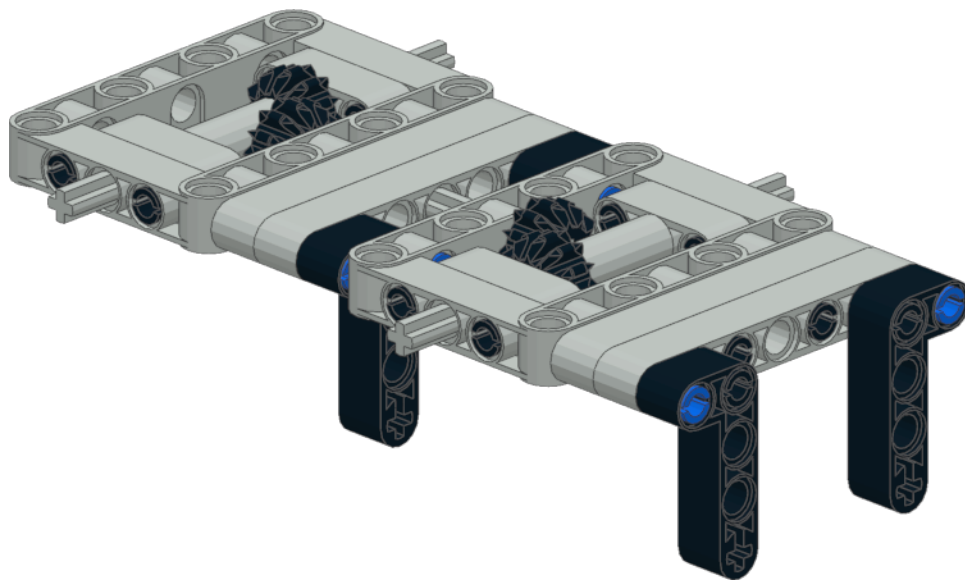
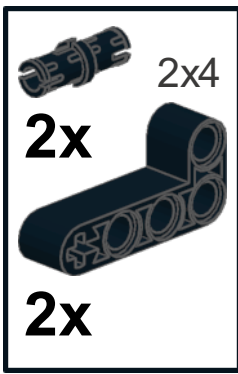
10



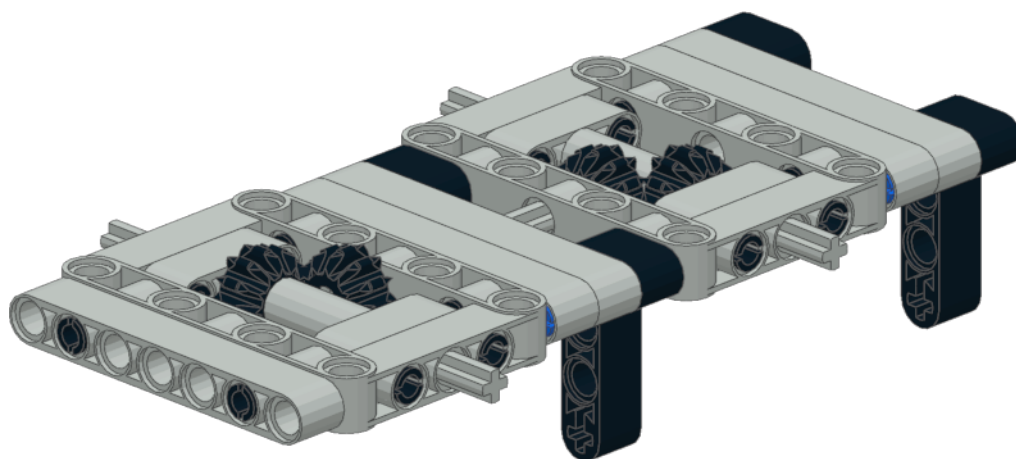
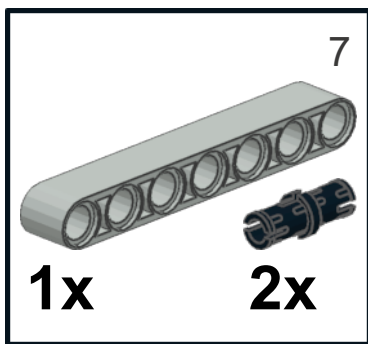
# 11



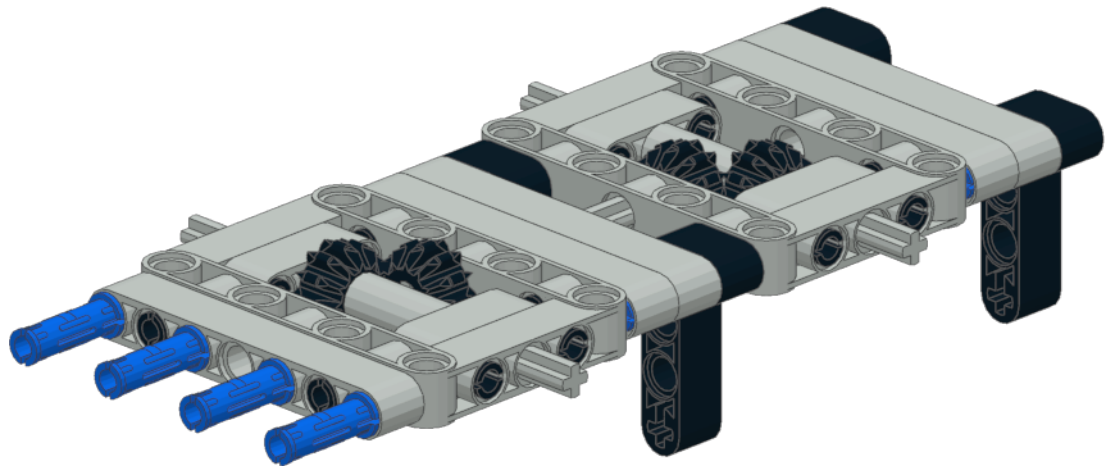
12



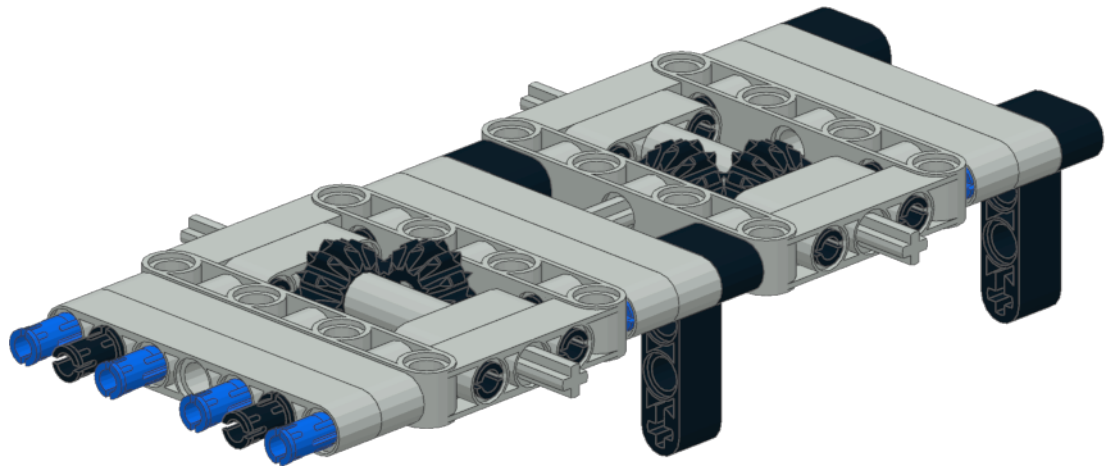
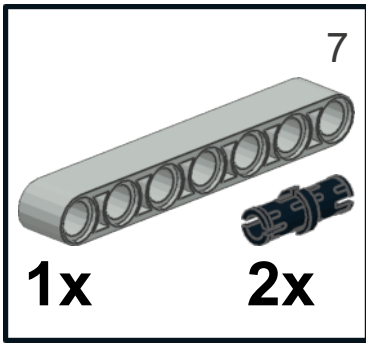
# 13



14



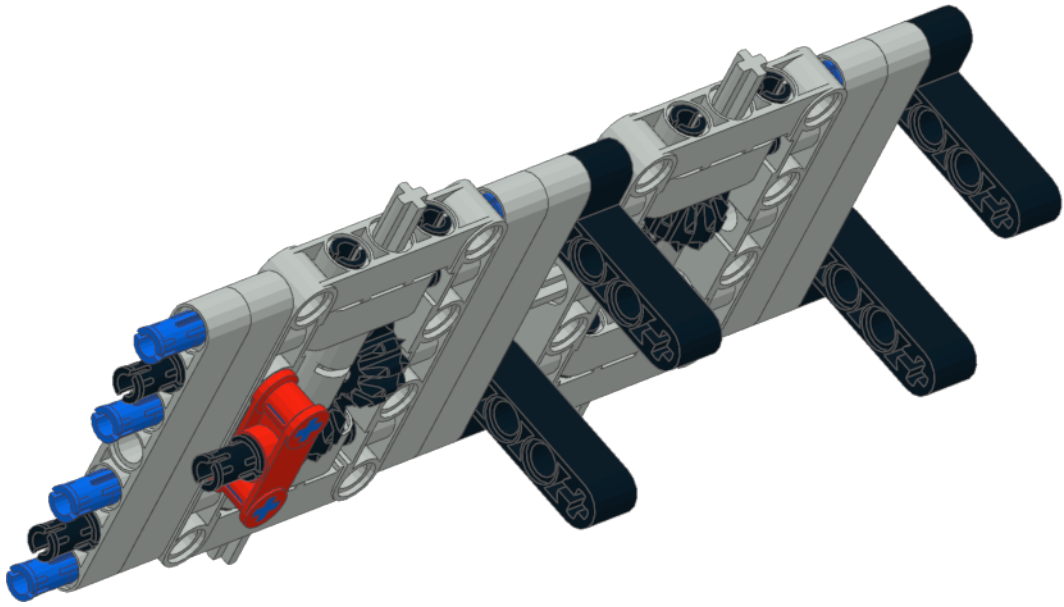
15



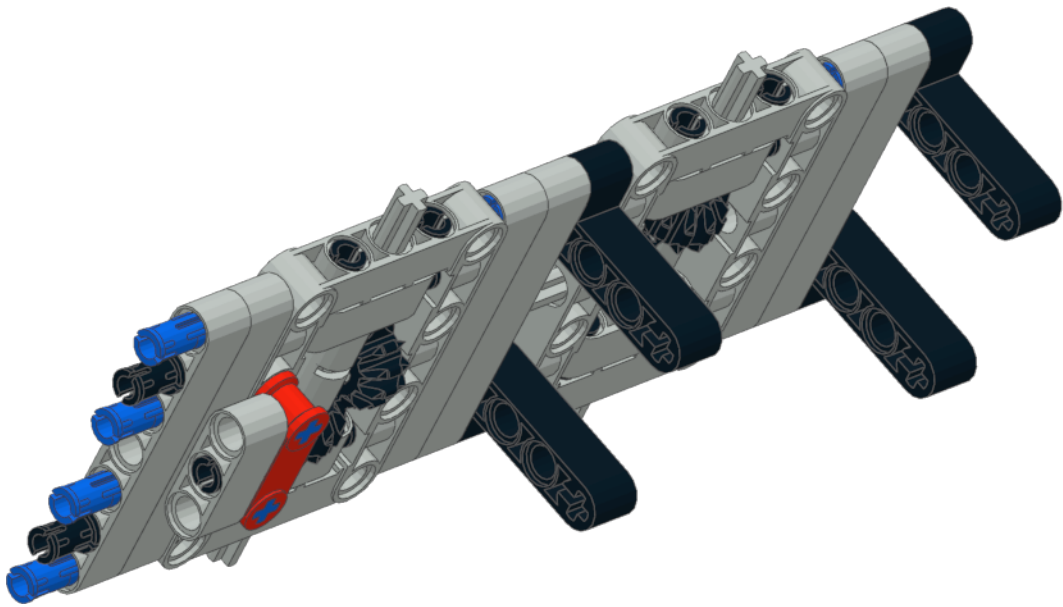
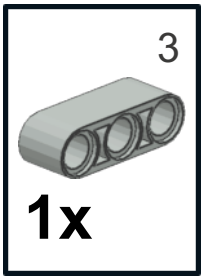


16

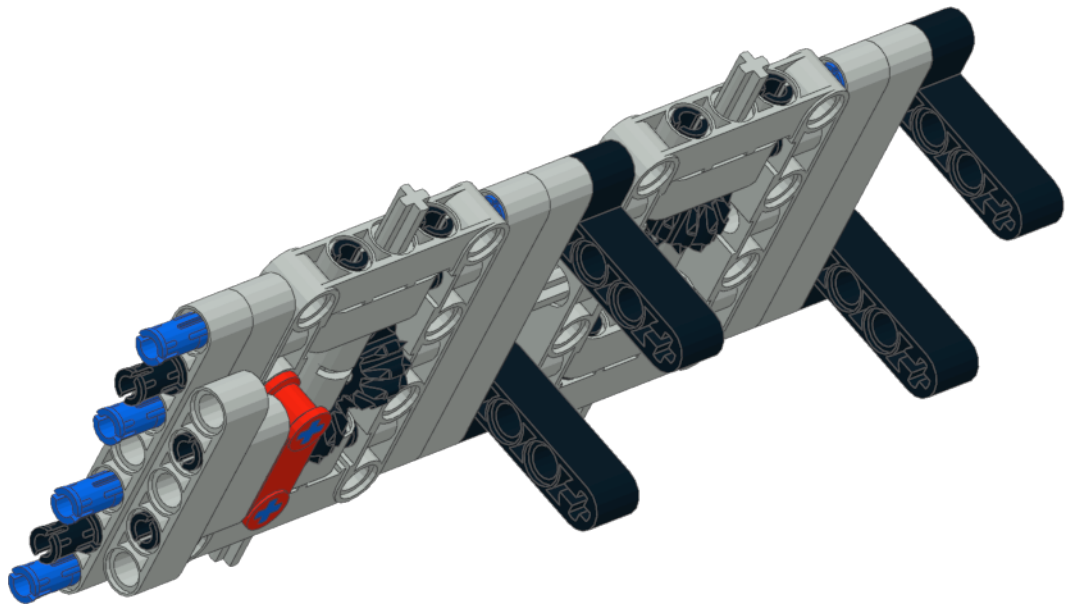
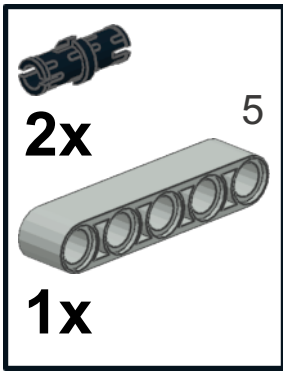
-  2x
-  1x 1x3
-  1x



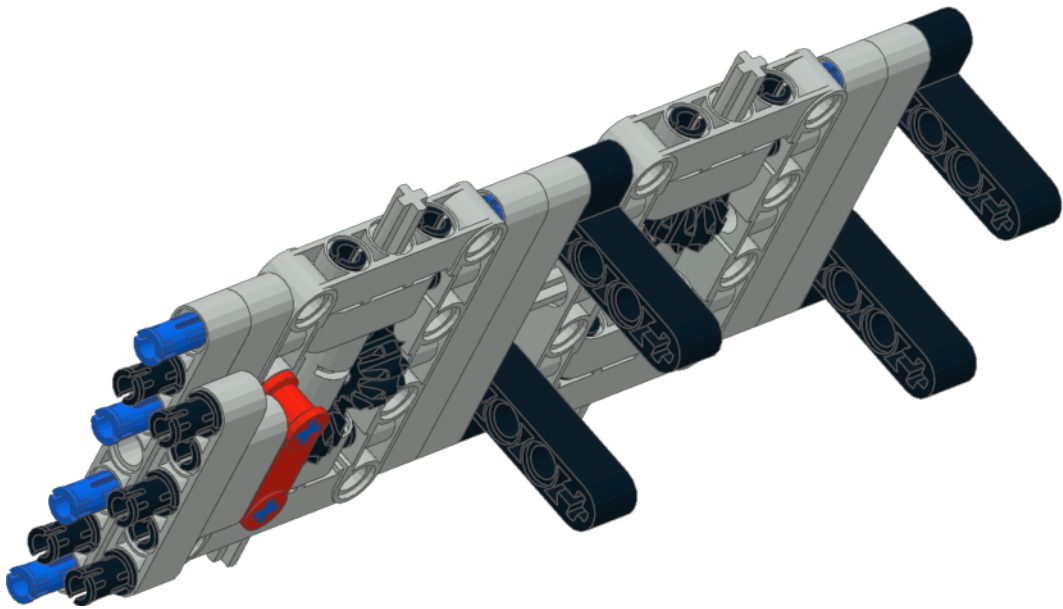
17



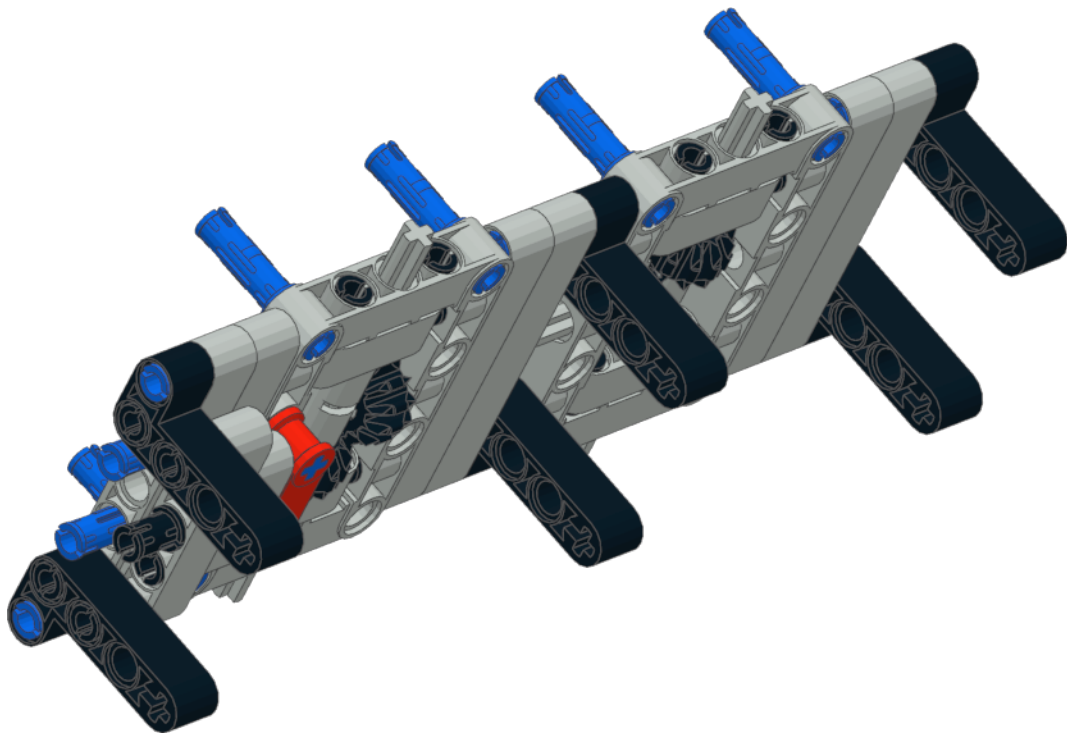
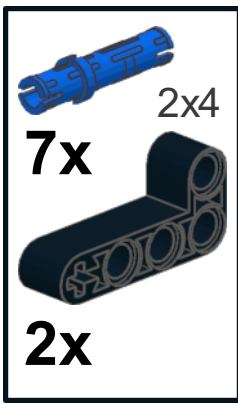
18



19



20

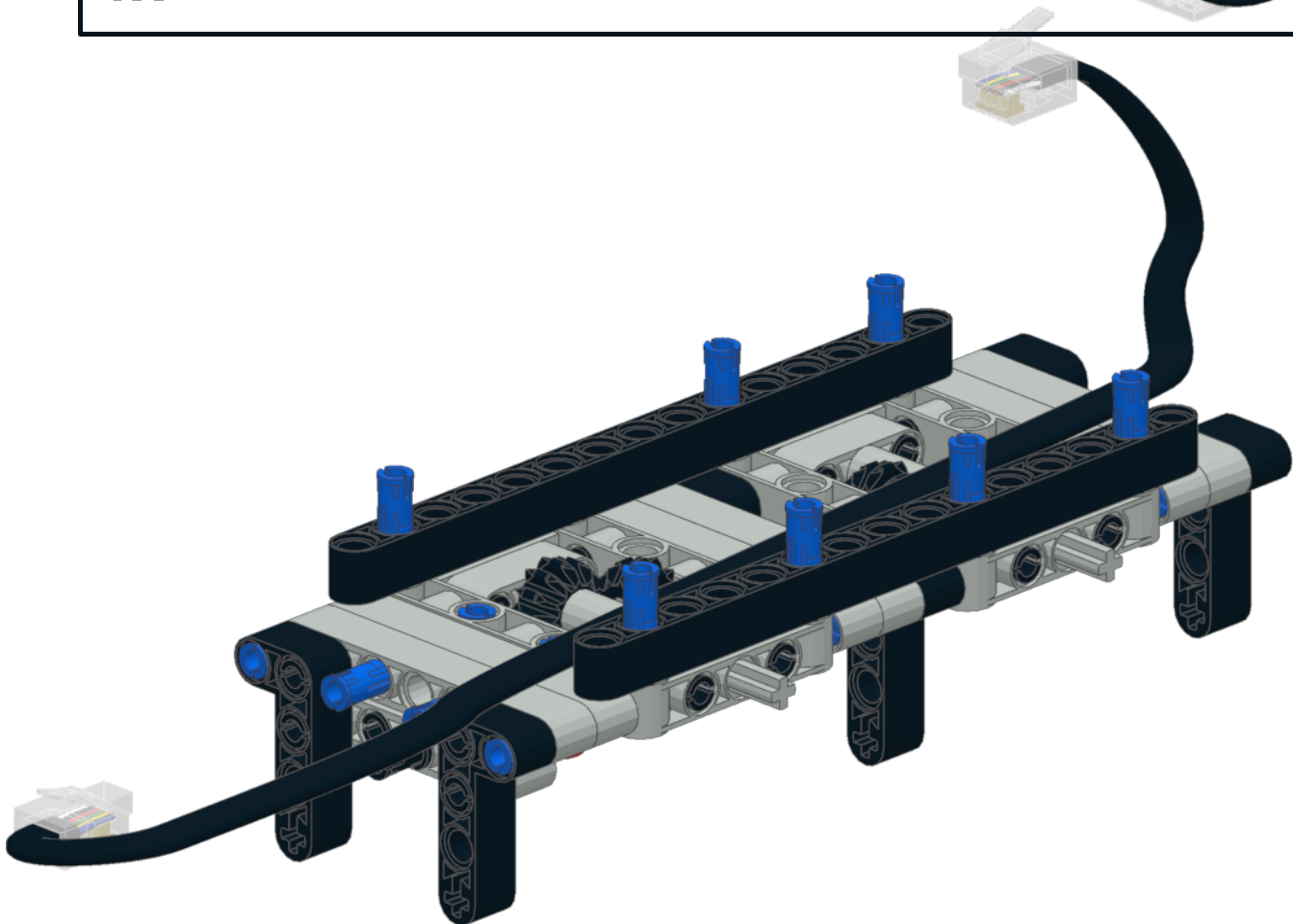


21

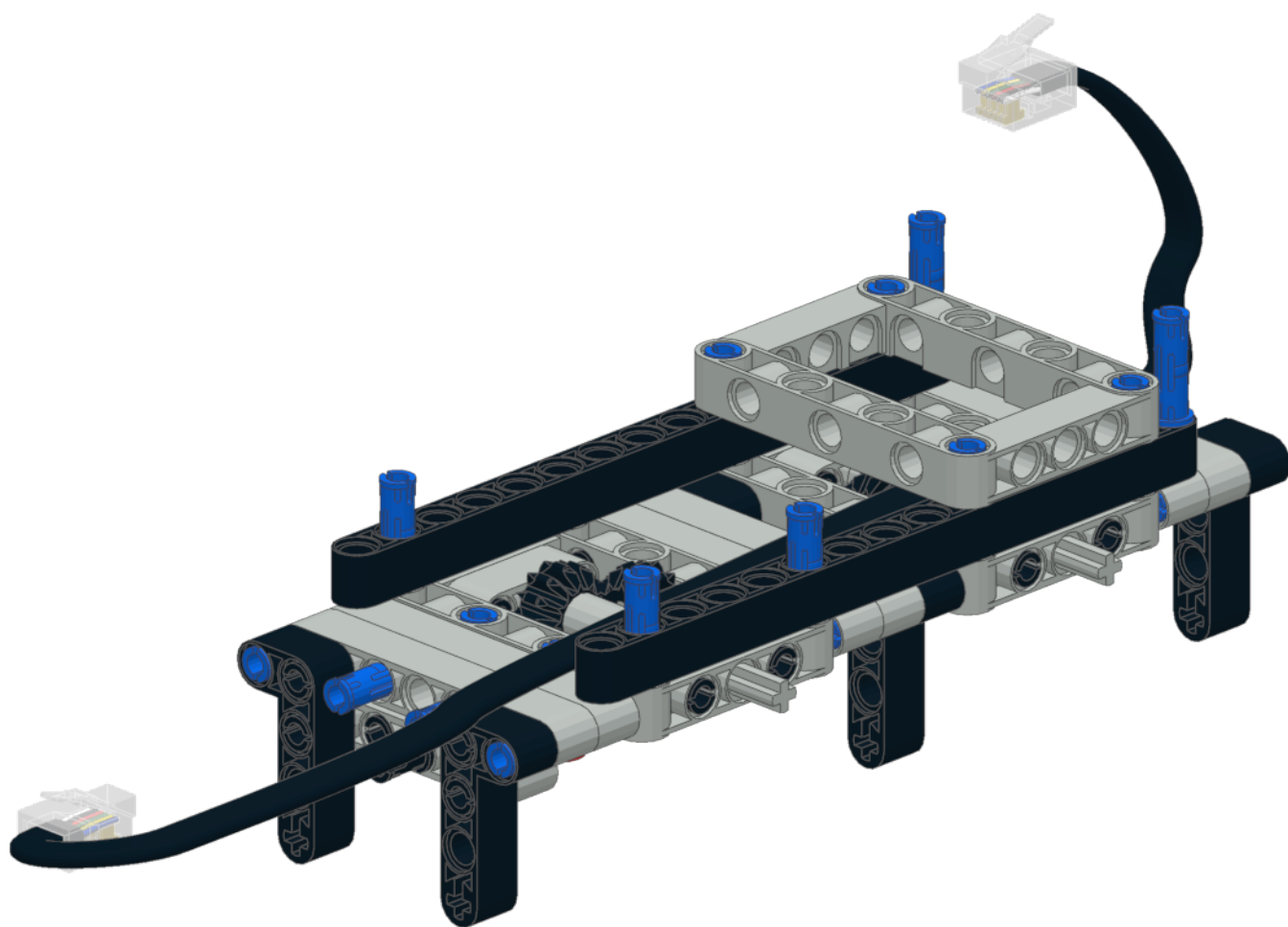
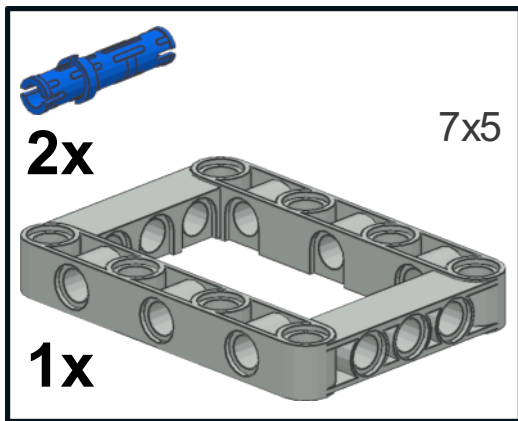
15

2x

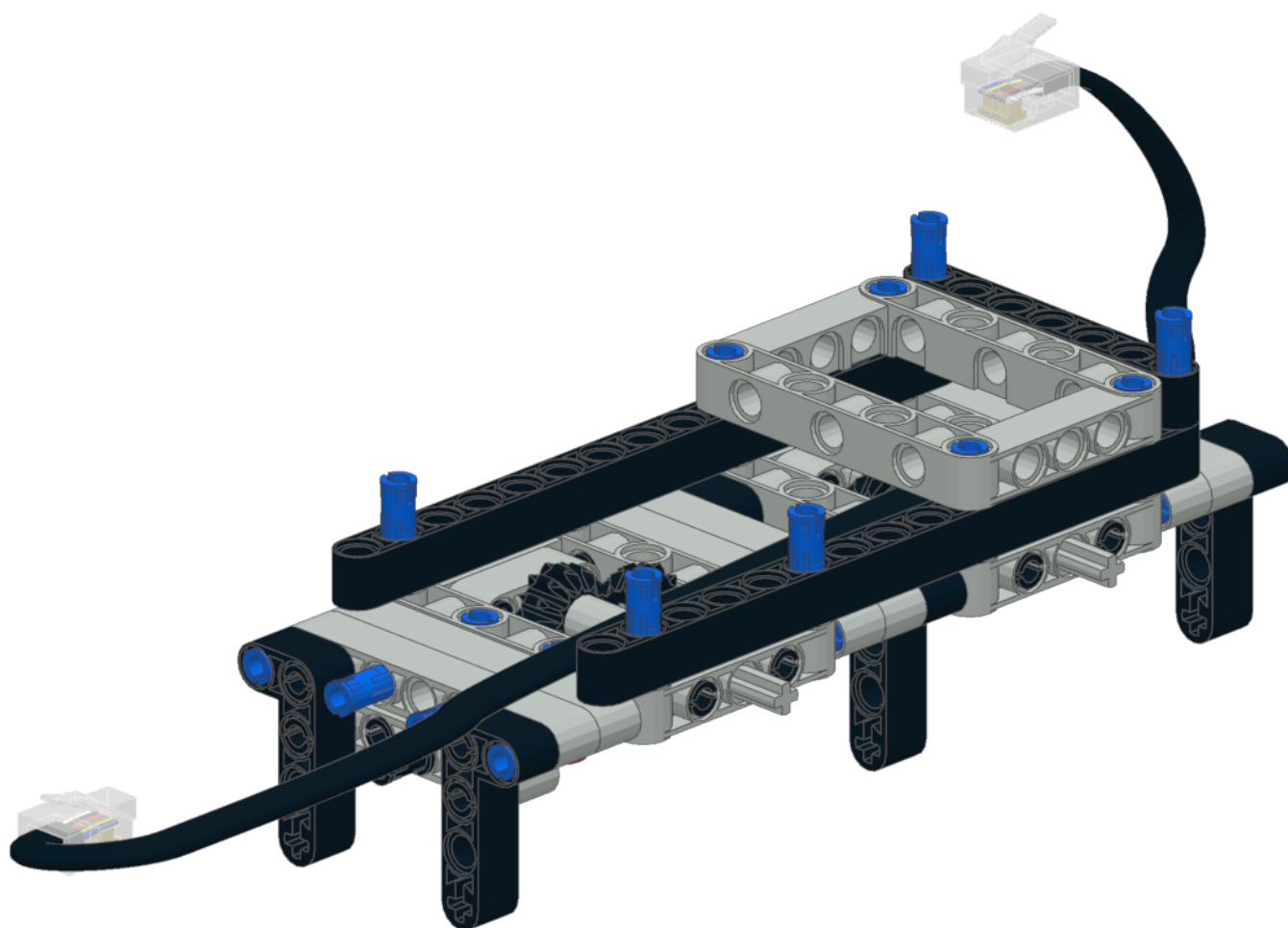
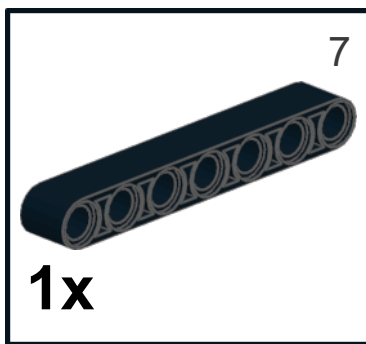
1x



22

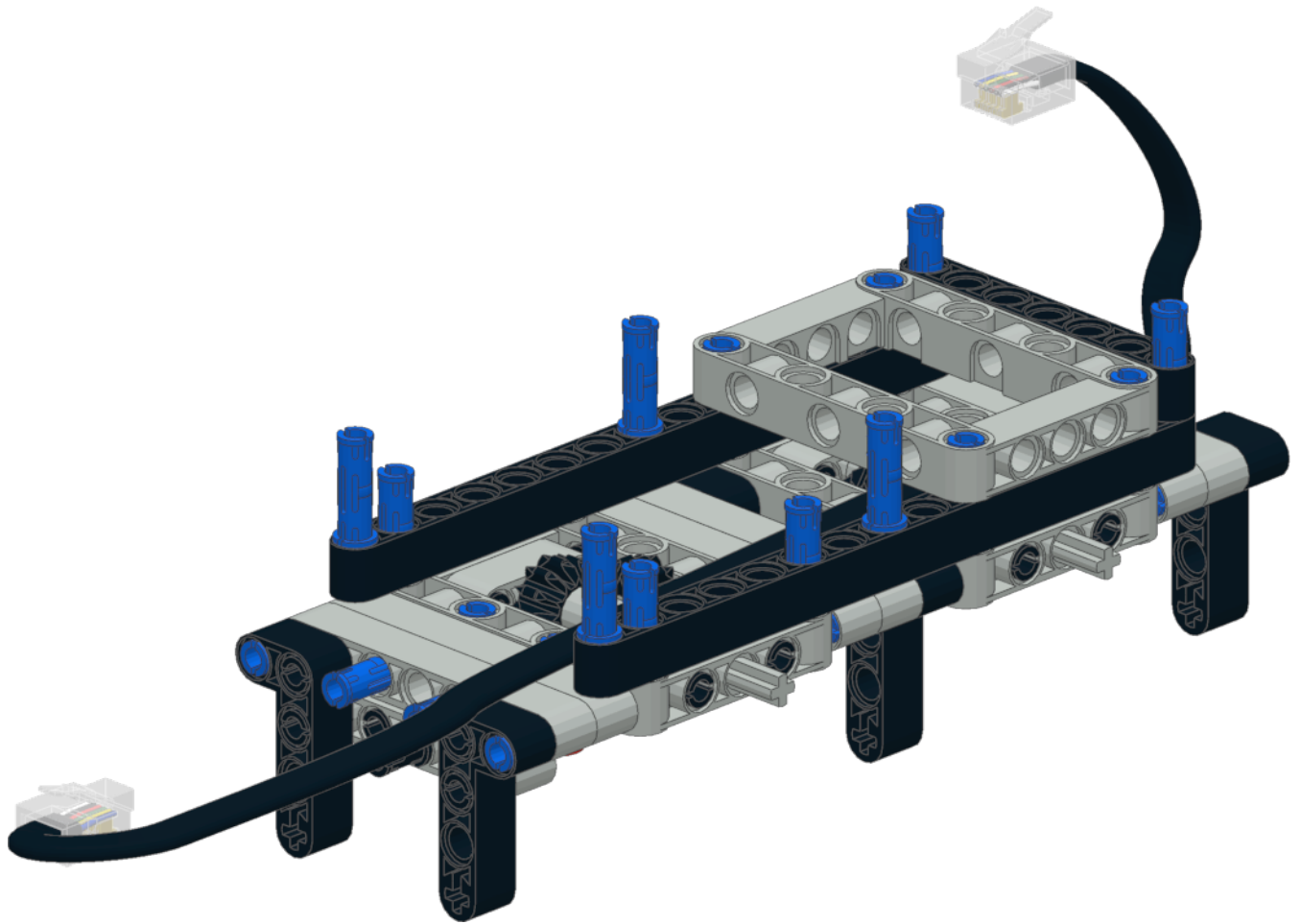


23

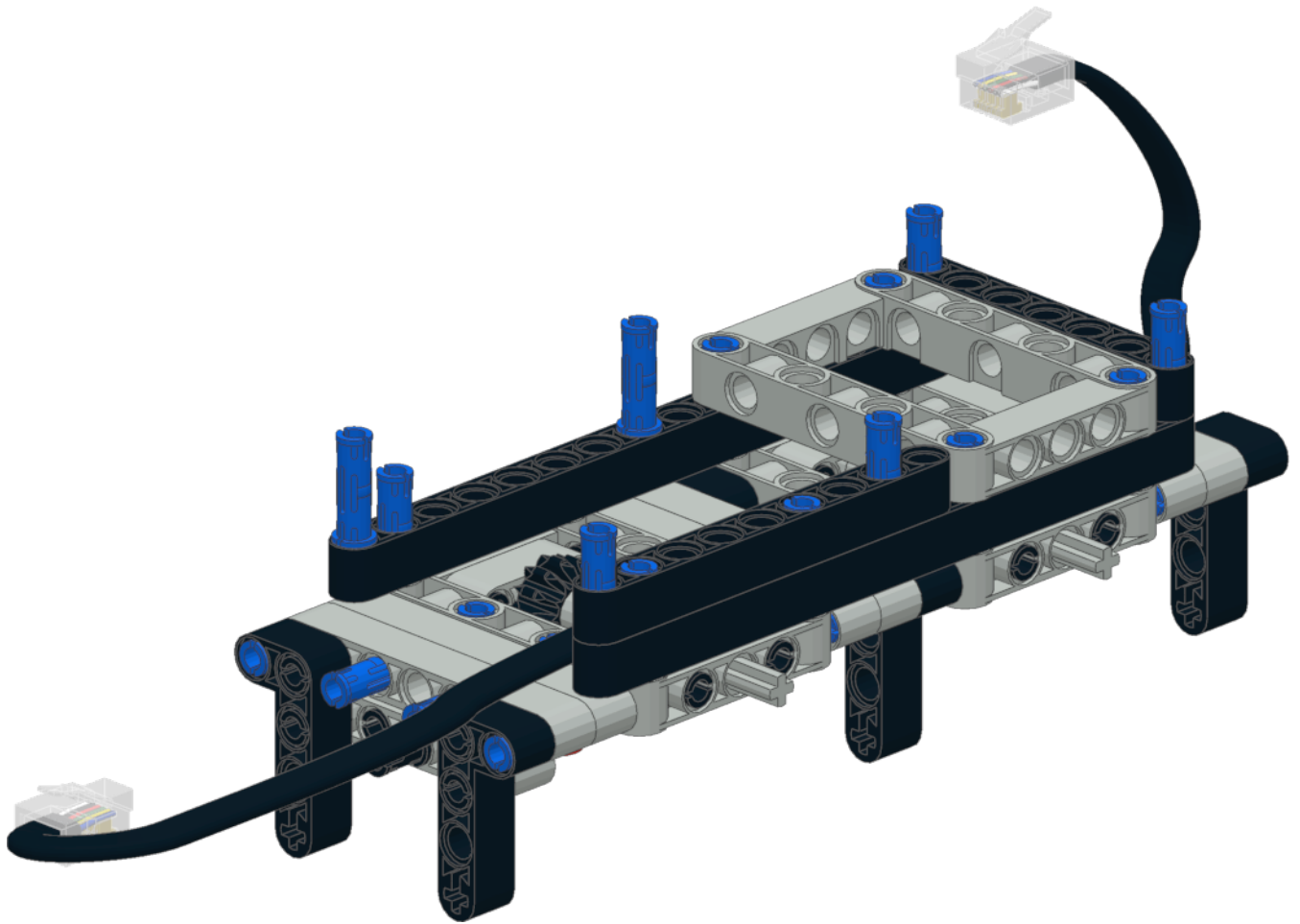
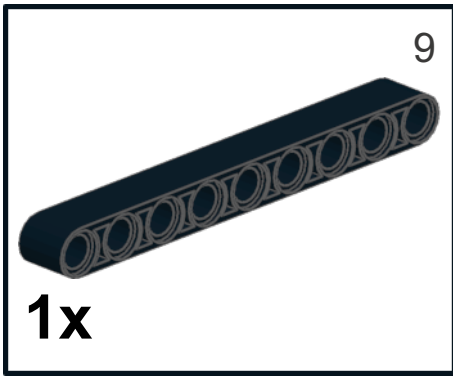




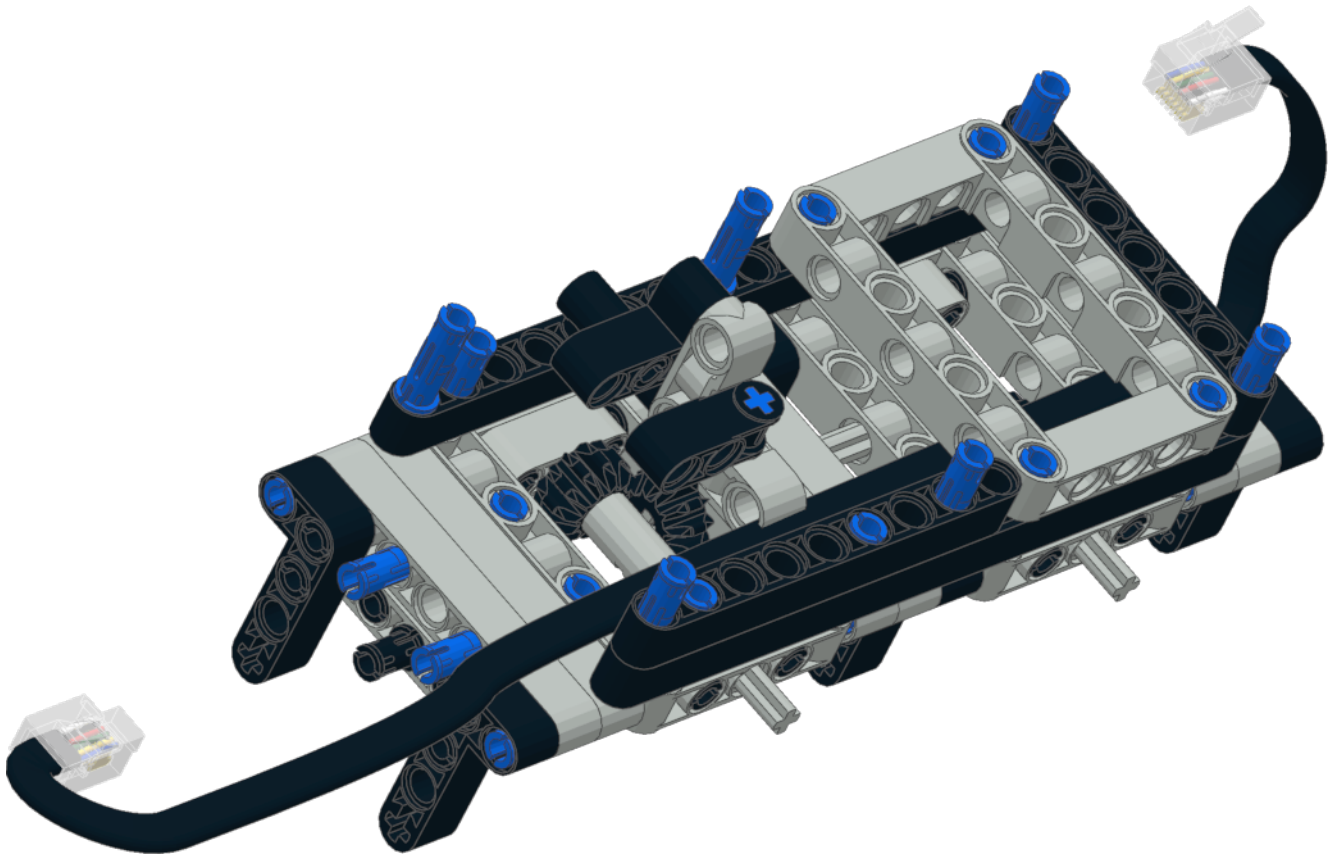
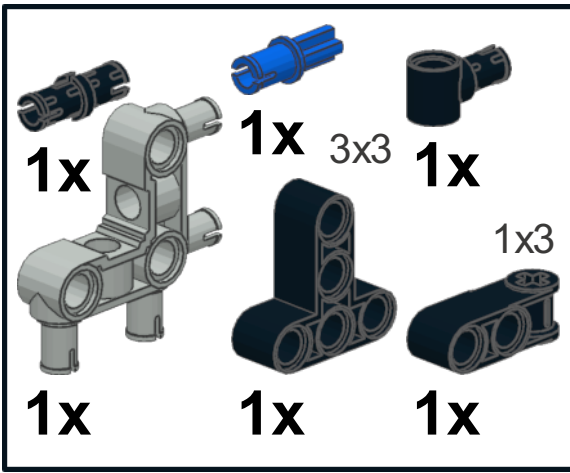
24



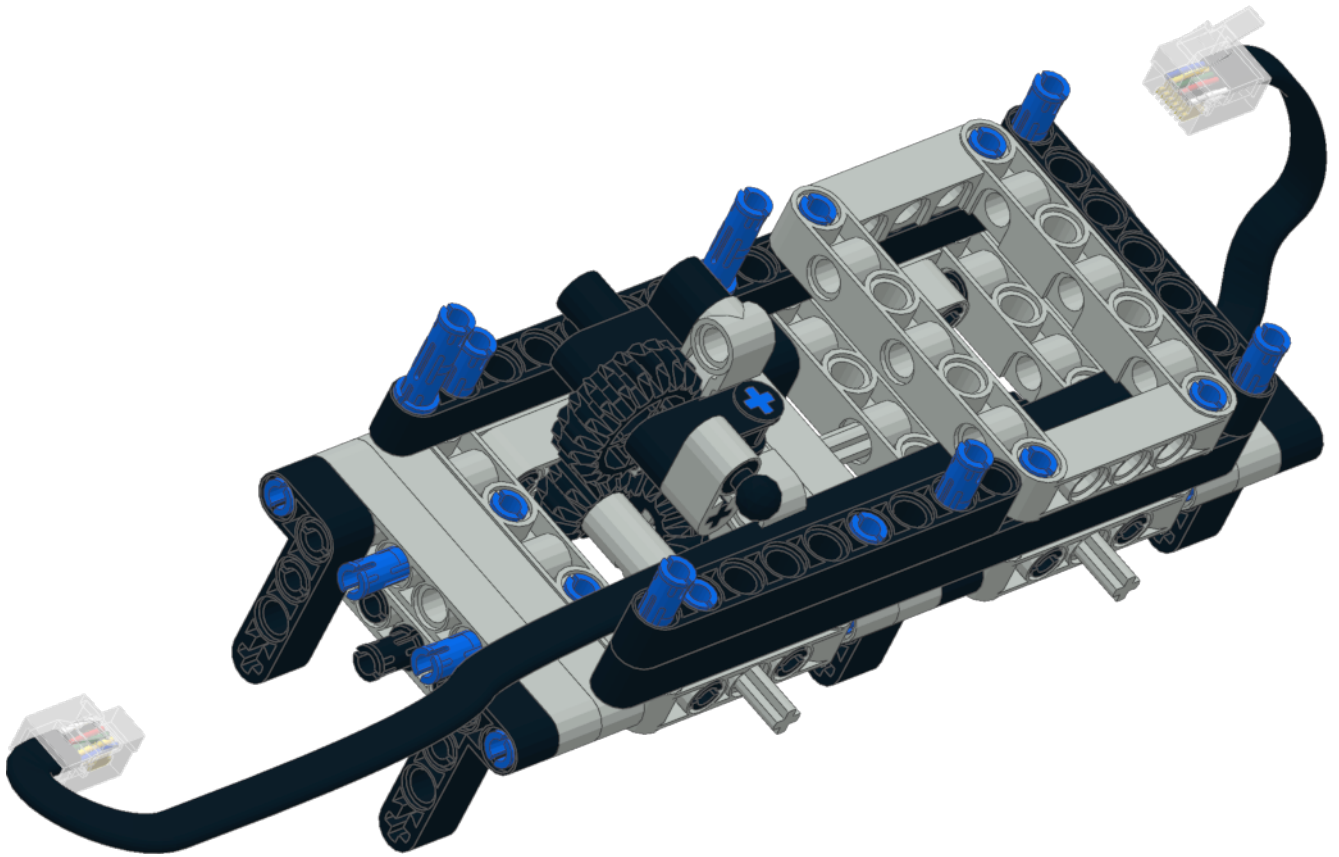
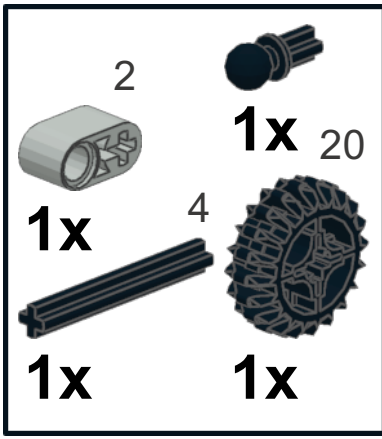
25



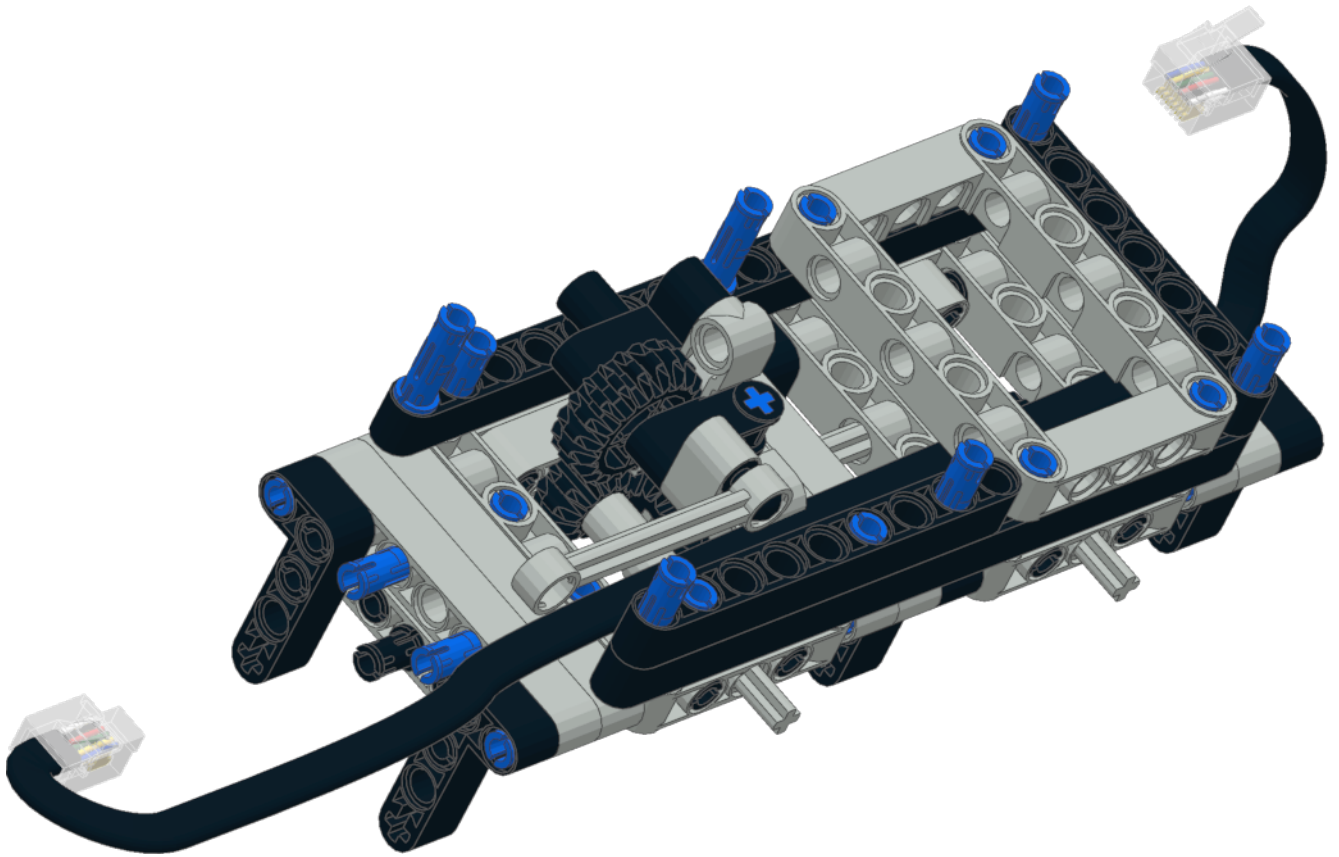
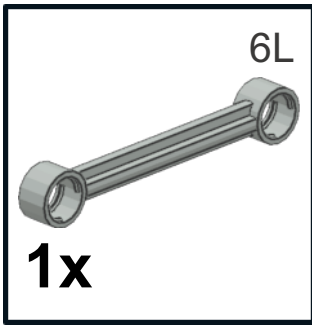
# 26



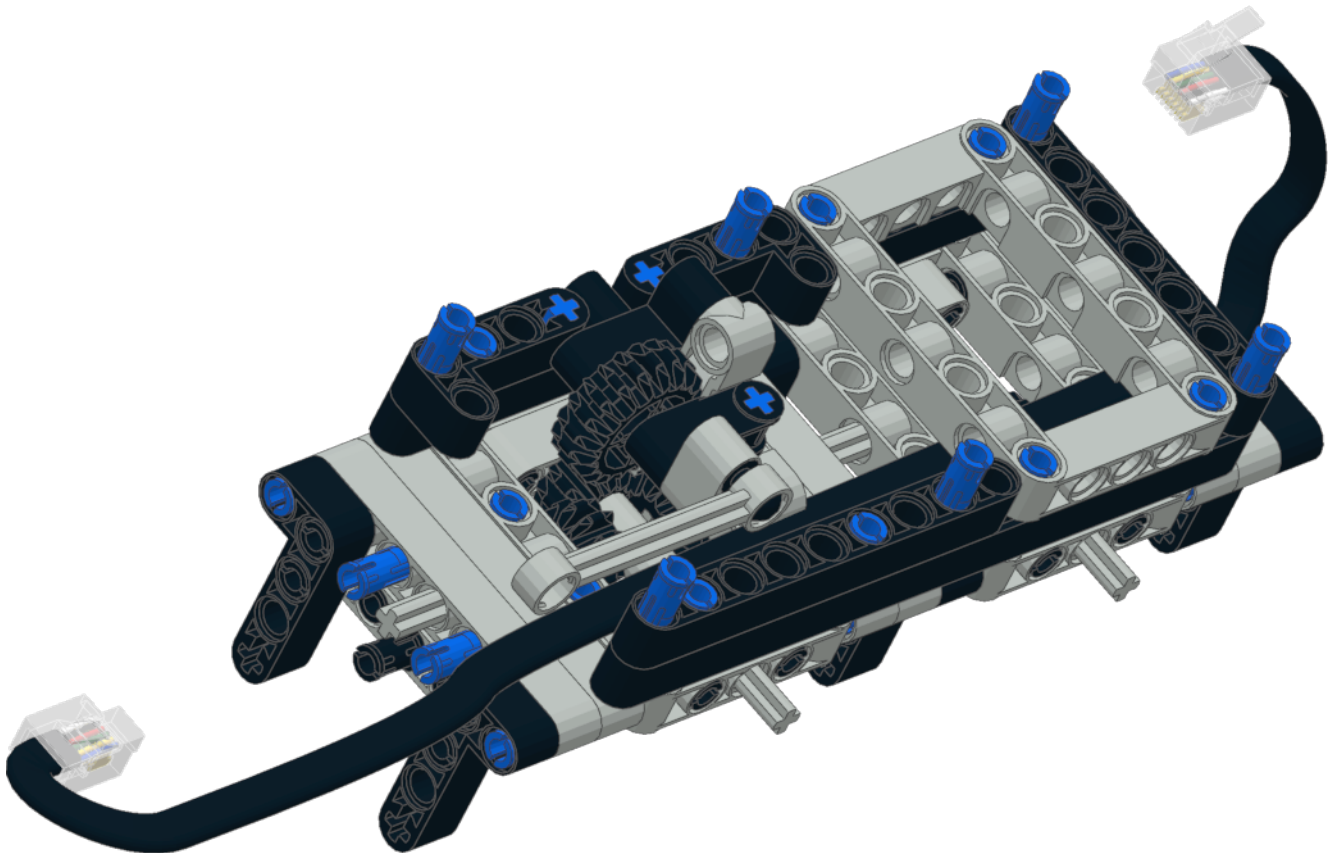
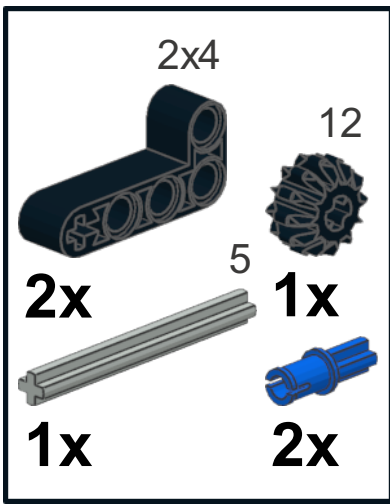
# 27



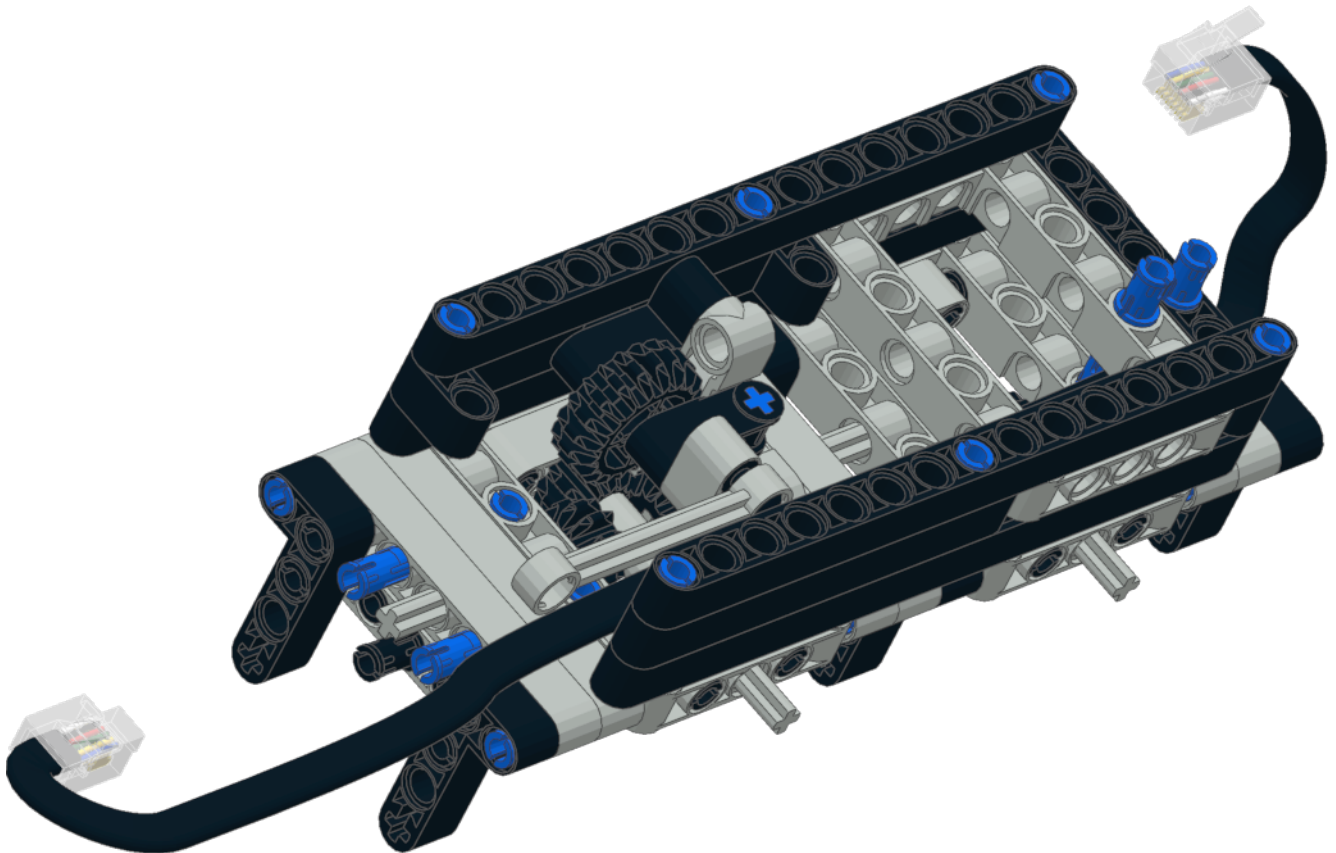
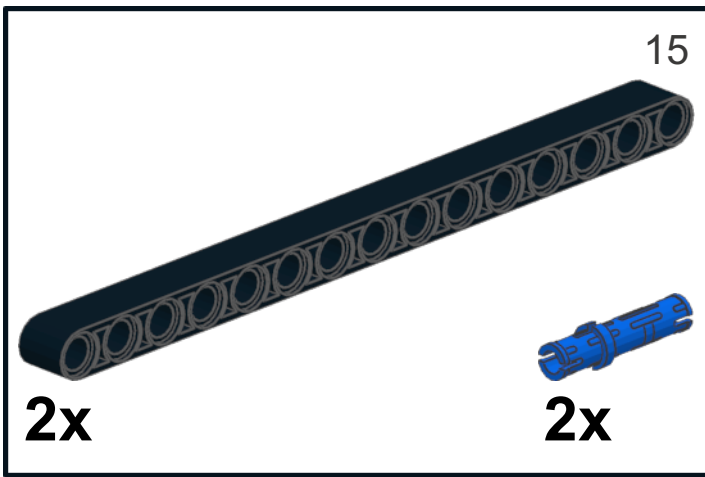
28



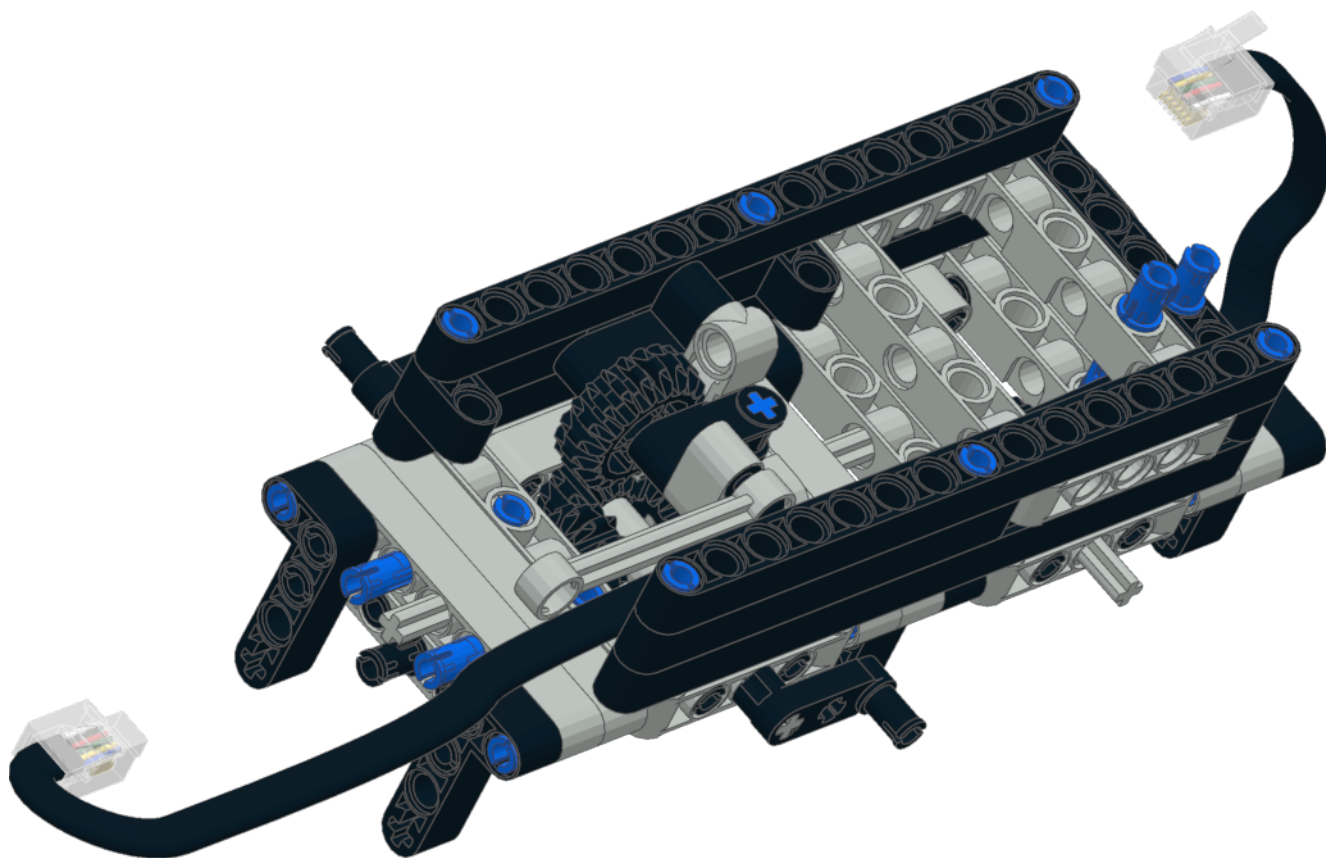
# 29



30

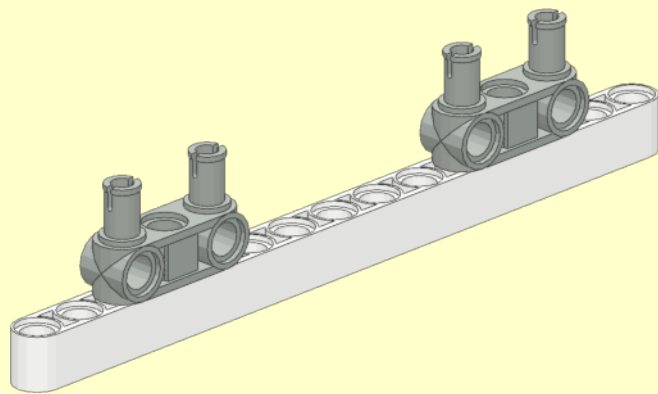
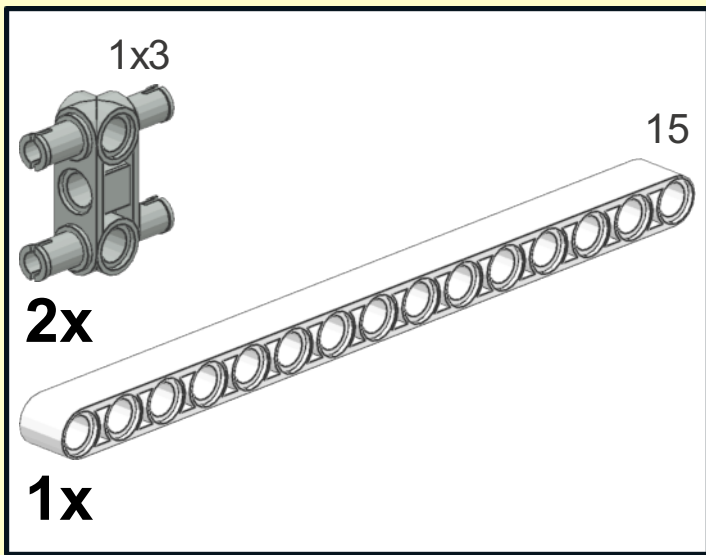


31





1



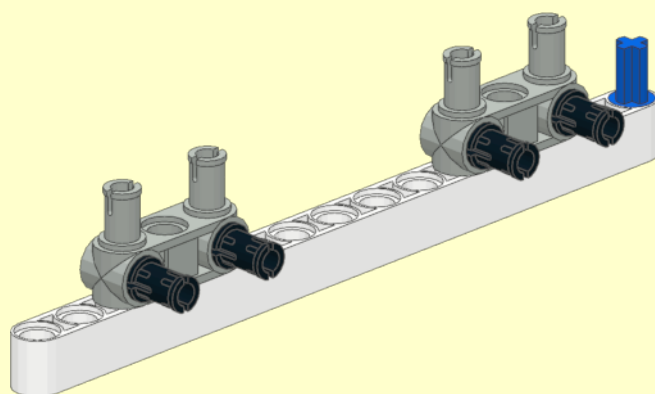
2



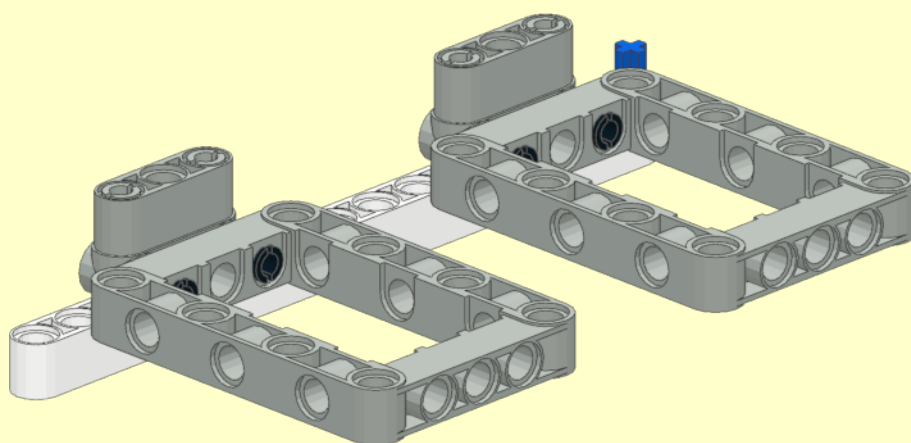
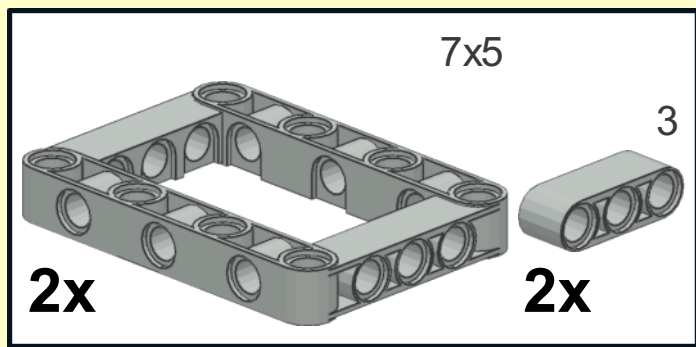
1x



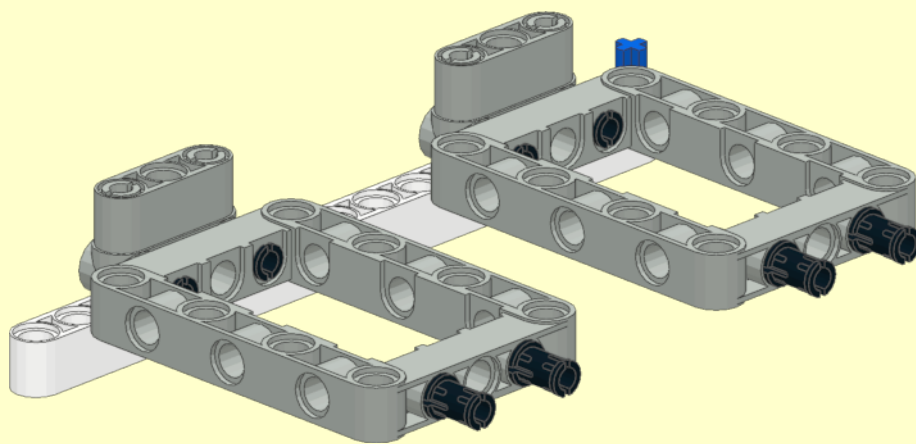
4x



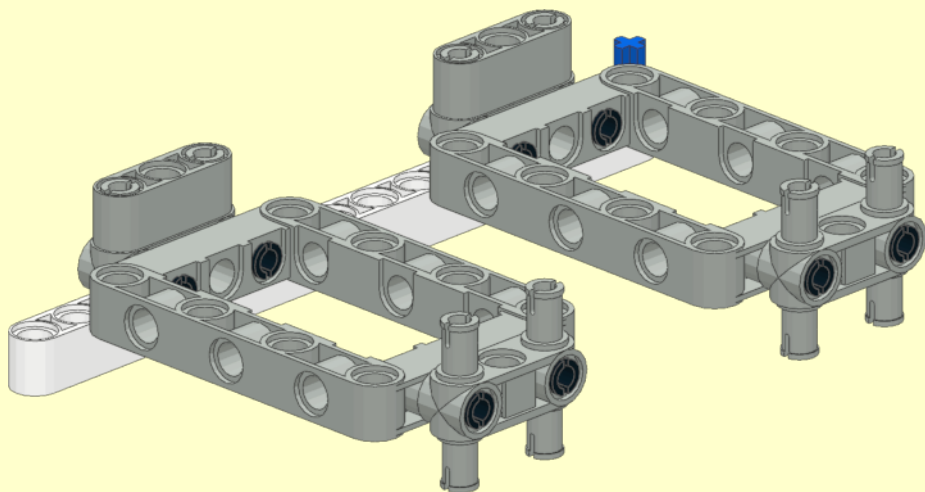
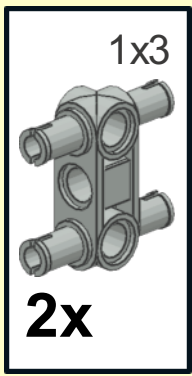
3



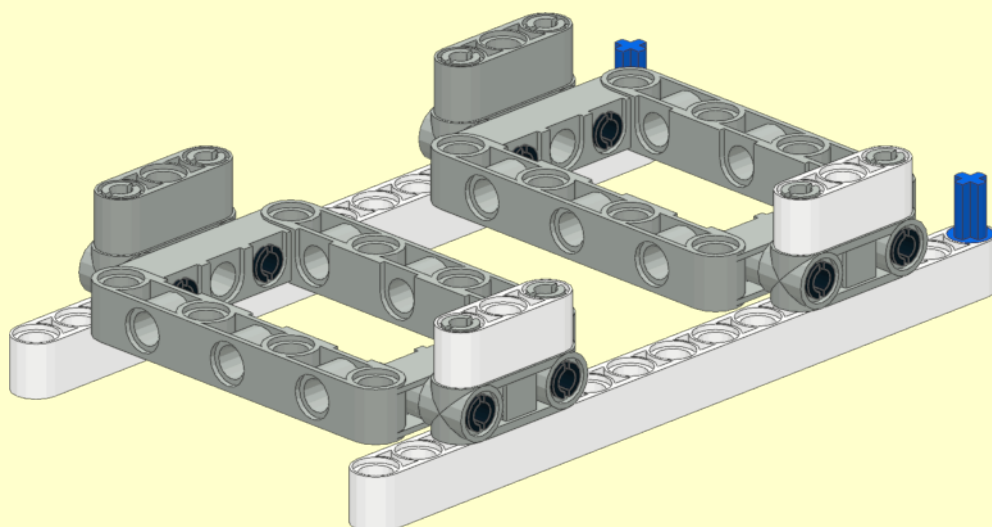
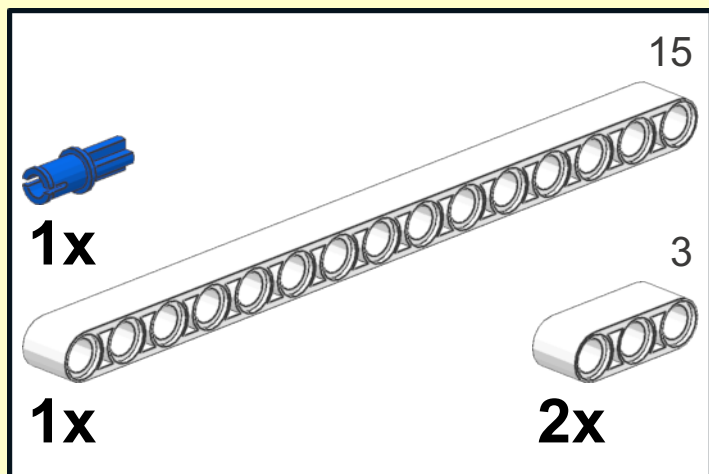
4  
4x




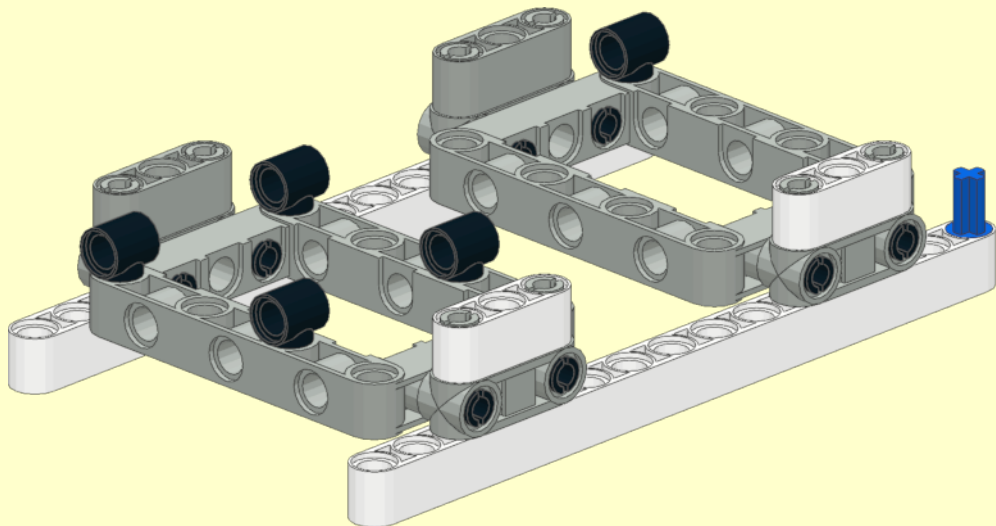
5



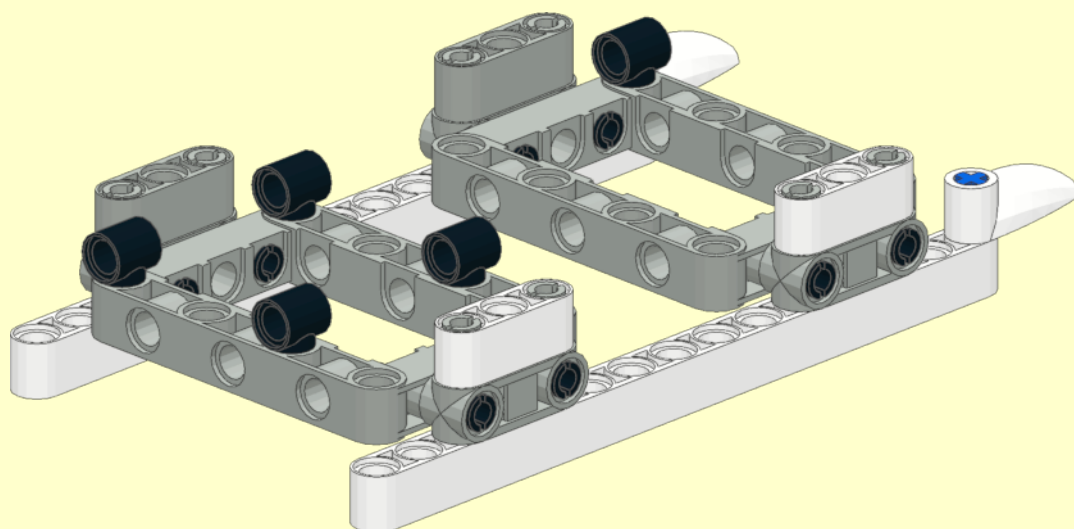
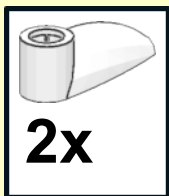
6



7   
5x

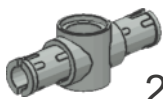


8



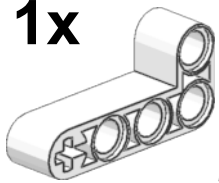


9



2x4

1x

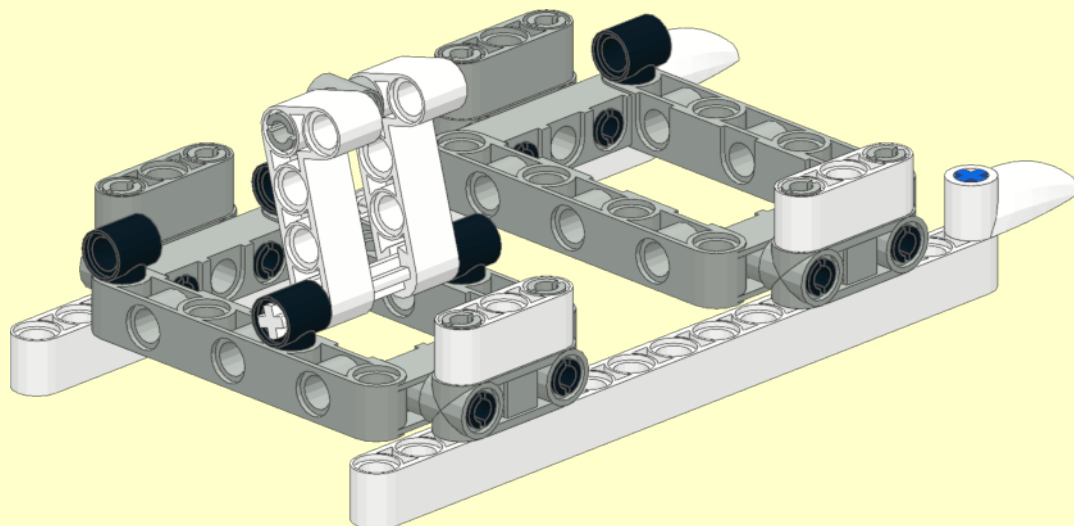


5

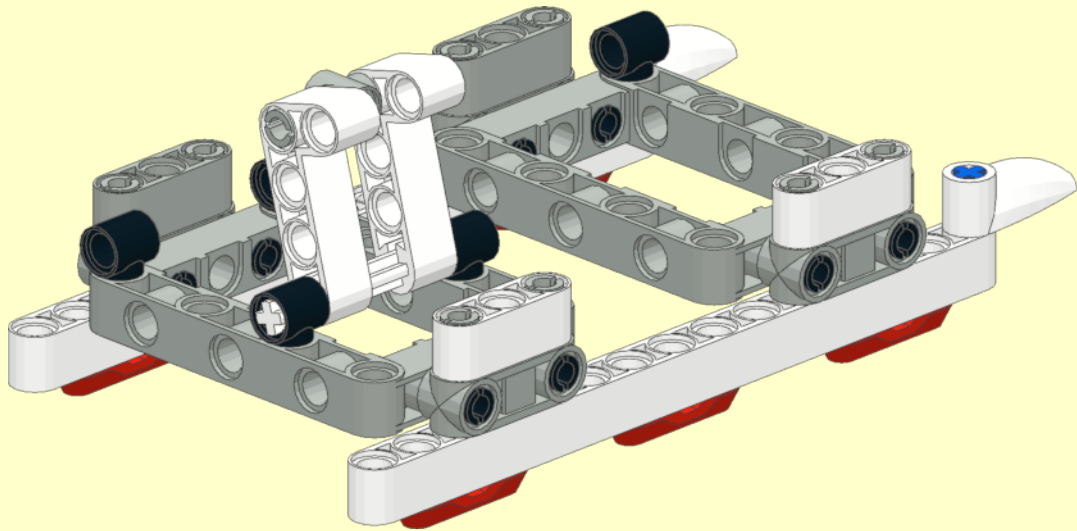
2x



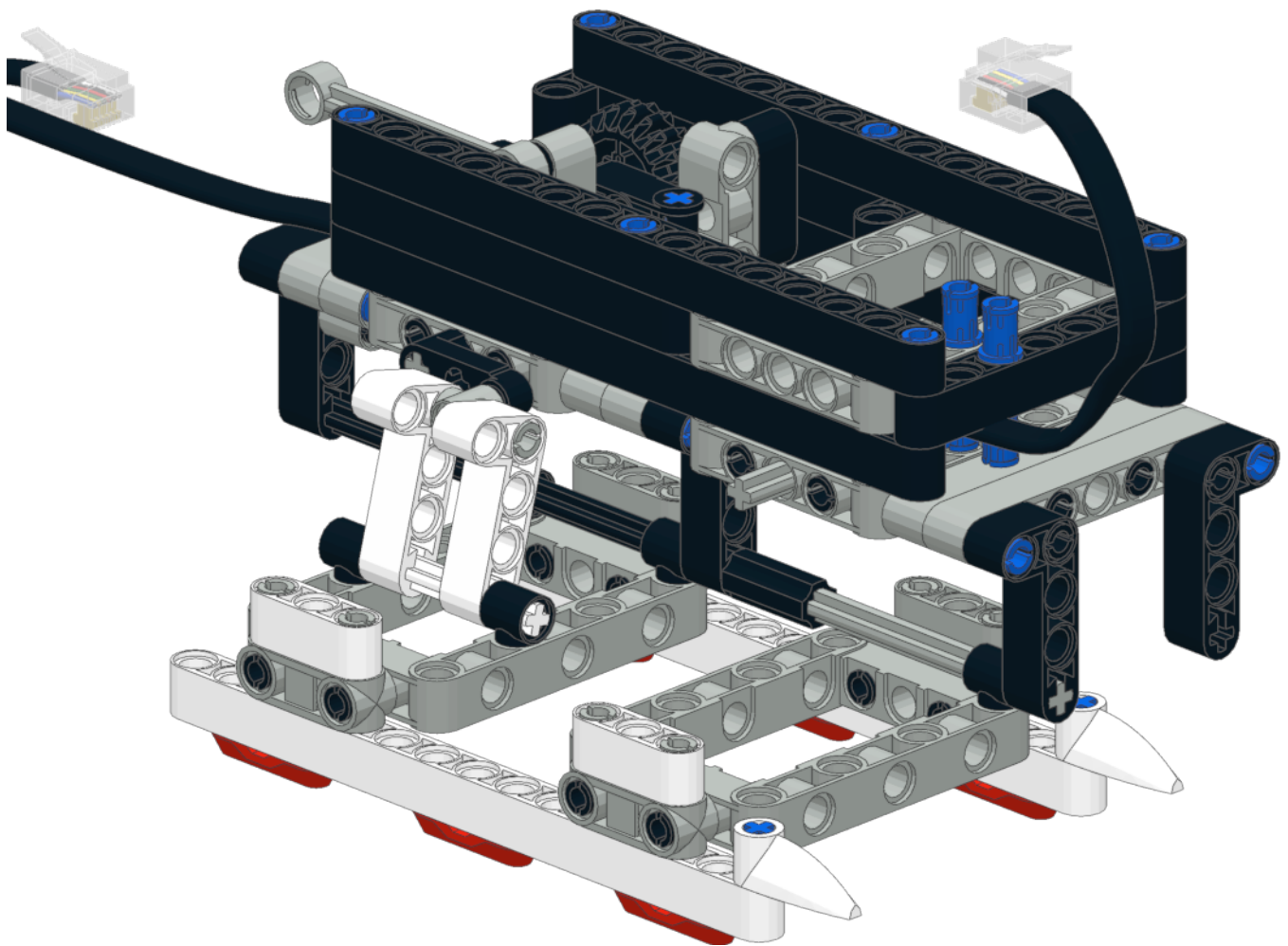
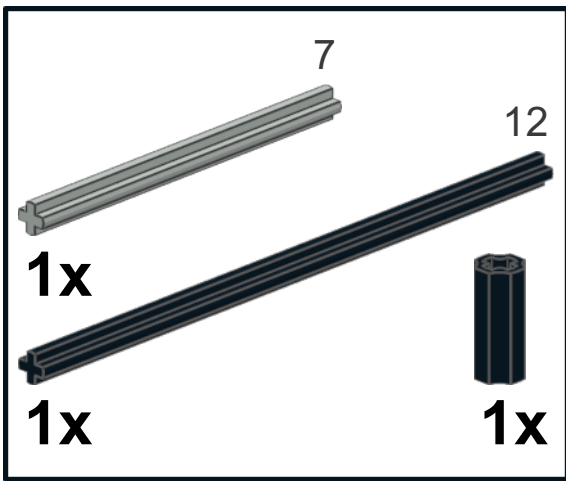
1x



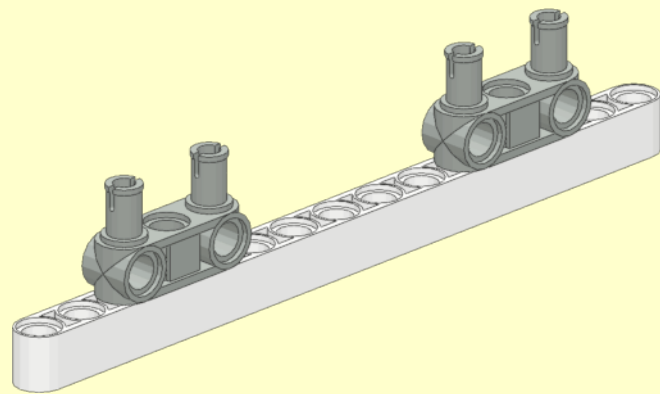
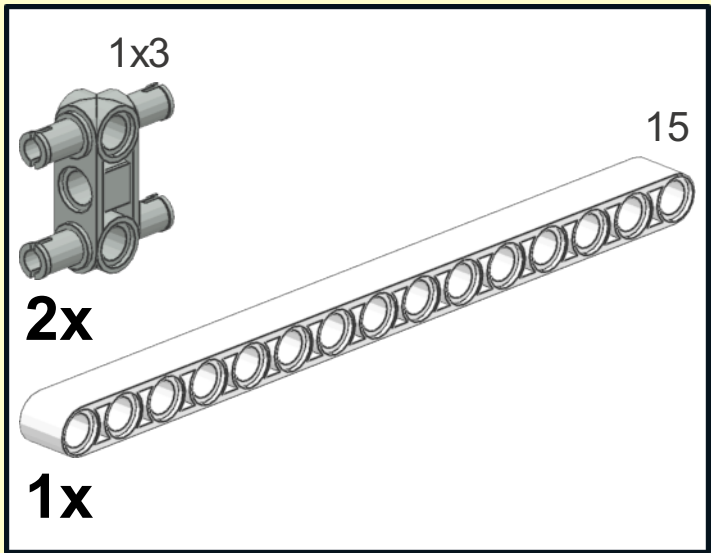
10




# 32



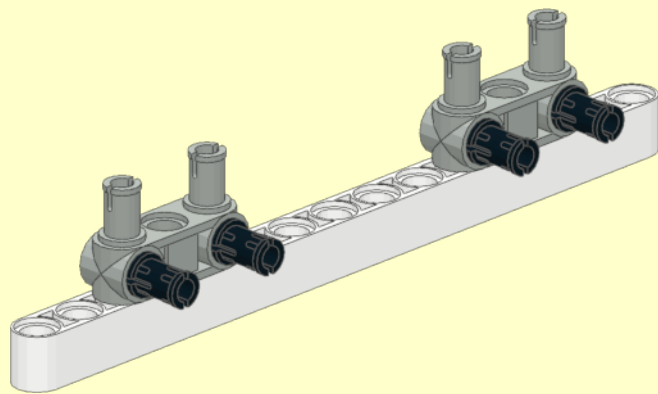
1



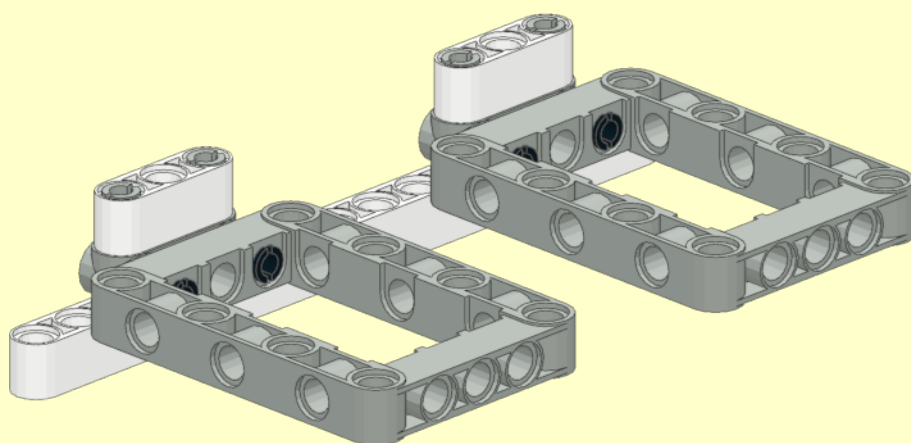
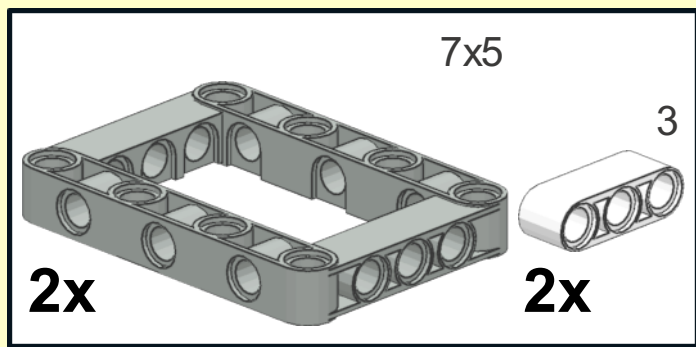
**2**



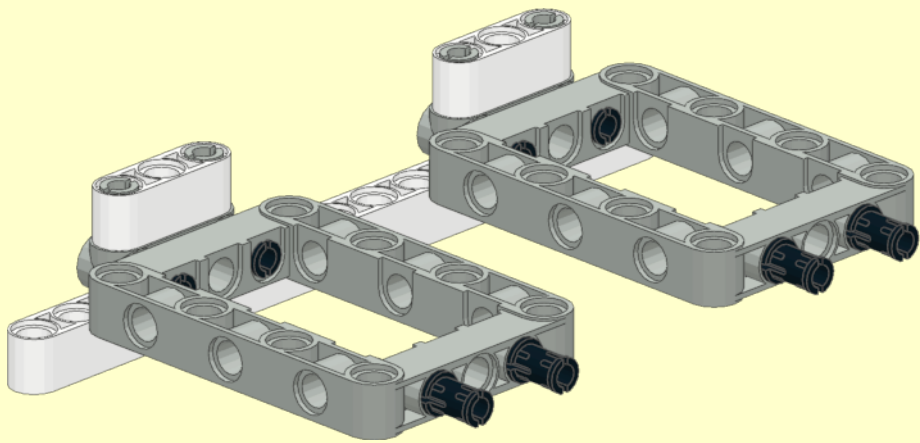
**4x**



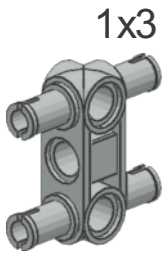
3



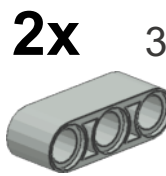
4  
4x



5



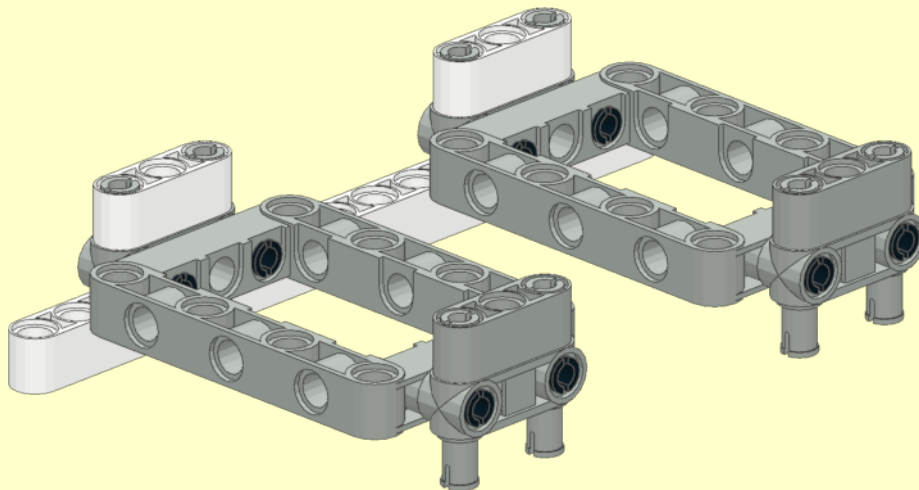
1x3



2x

3

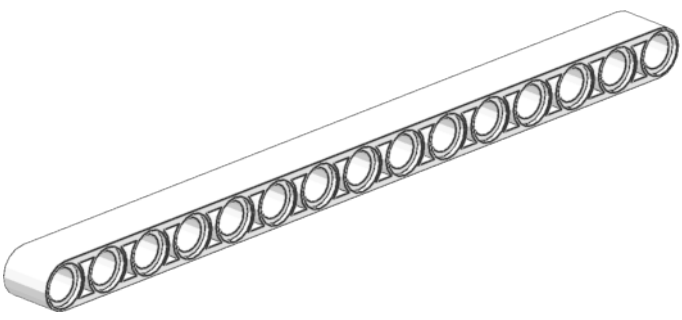
2x



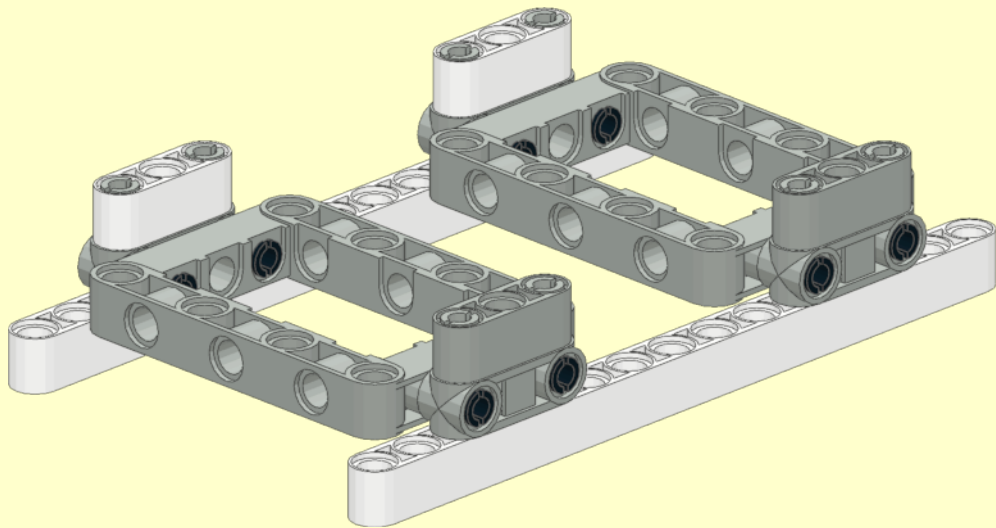



6

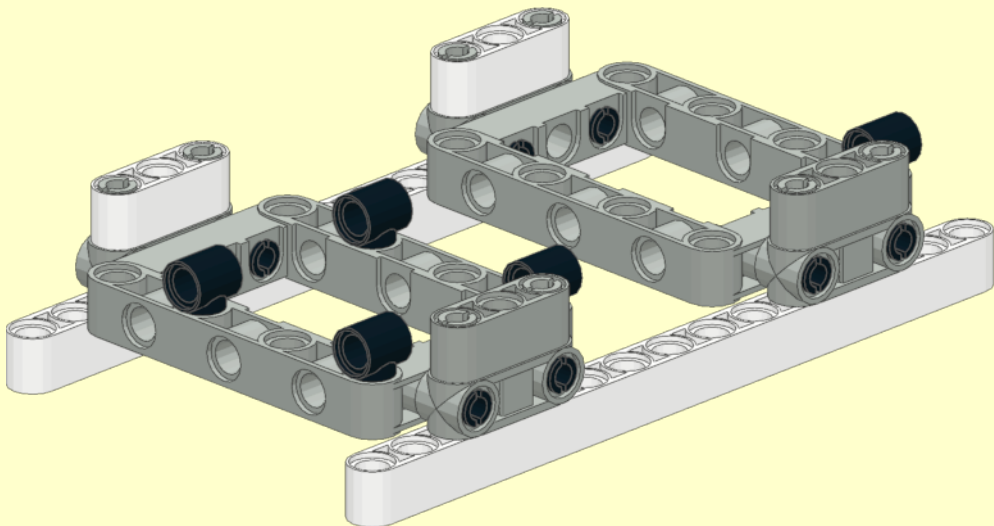
15



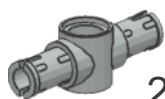
1x



7   
5x

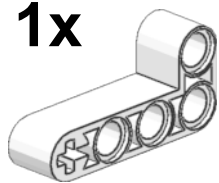


8



2x4

1x

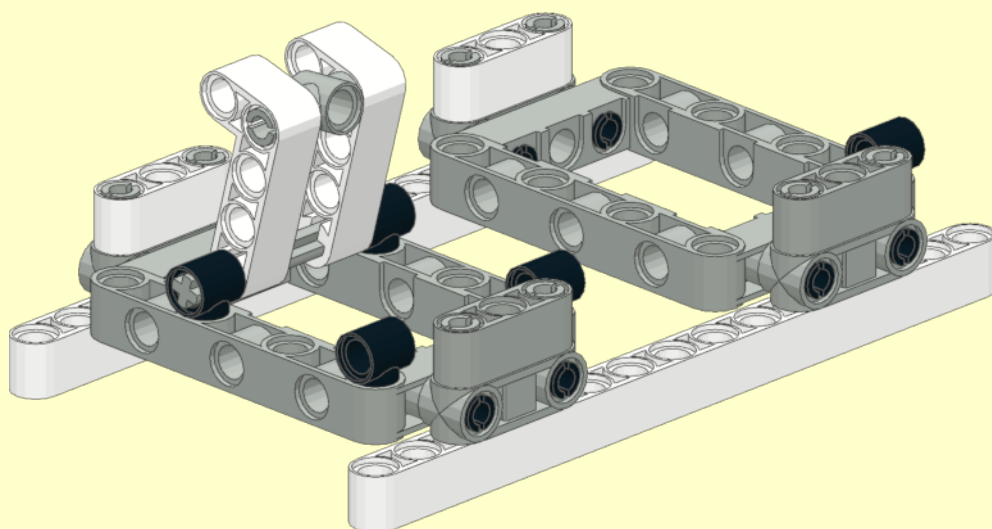


2x

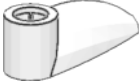

5

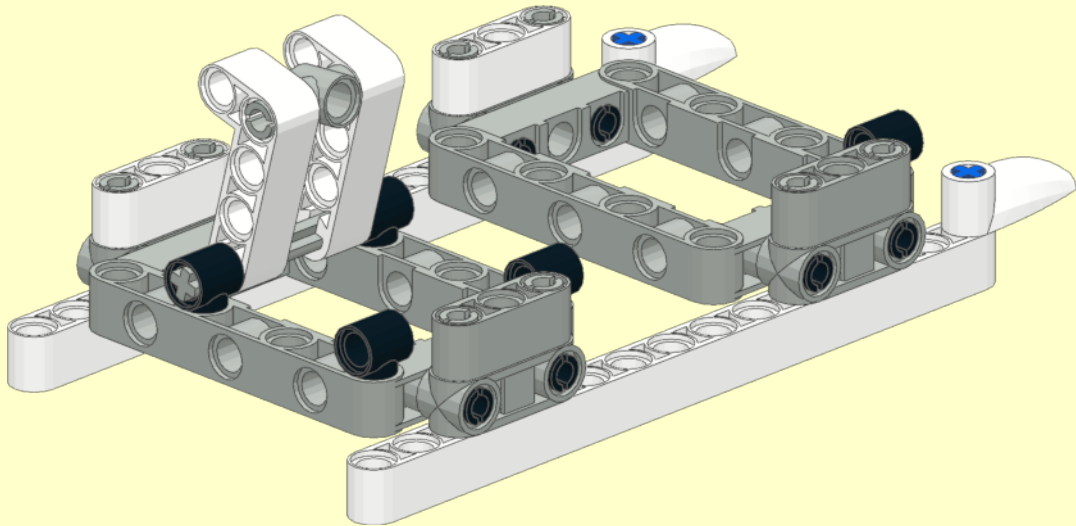


1x

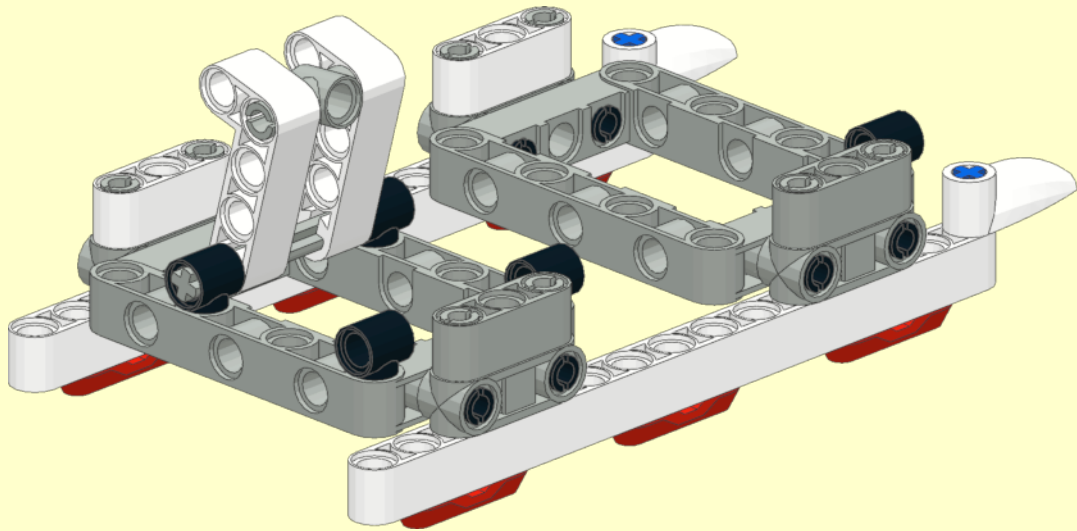


**9**

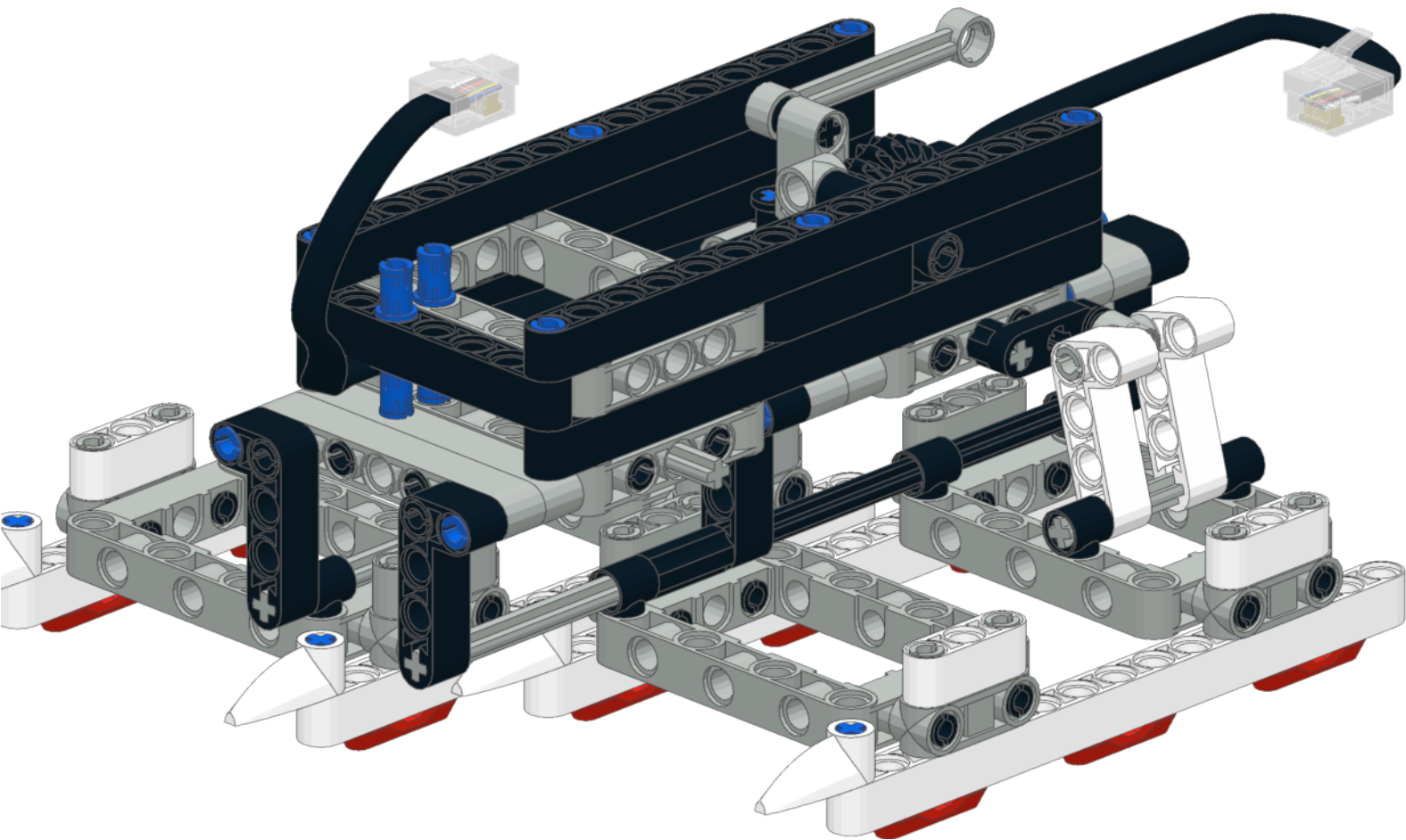
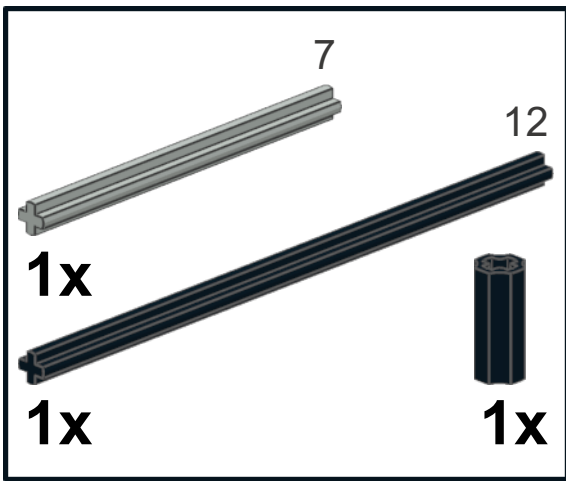
	
<b>2x</b>	<b>2x</b>



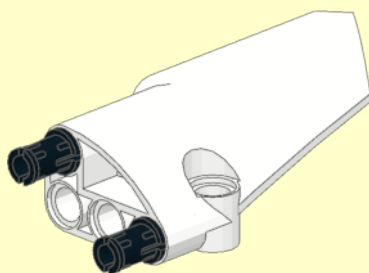
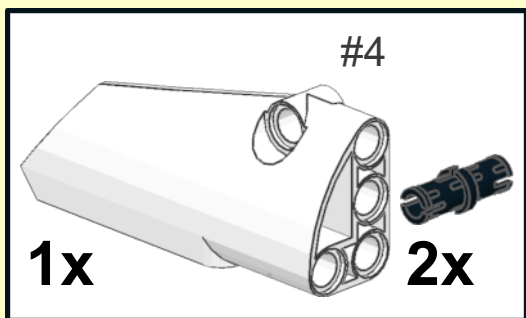
10



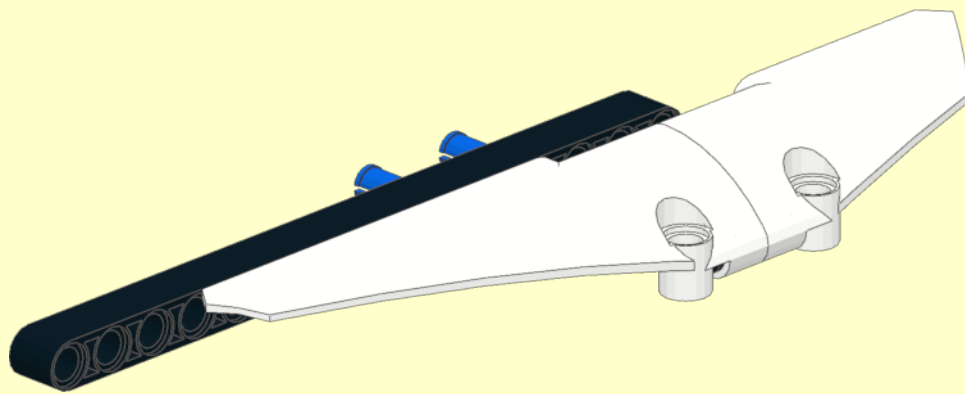
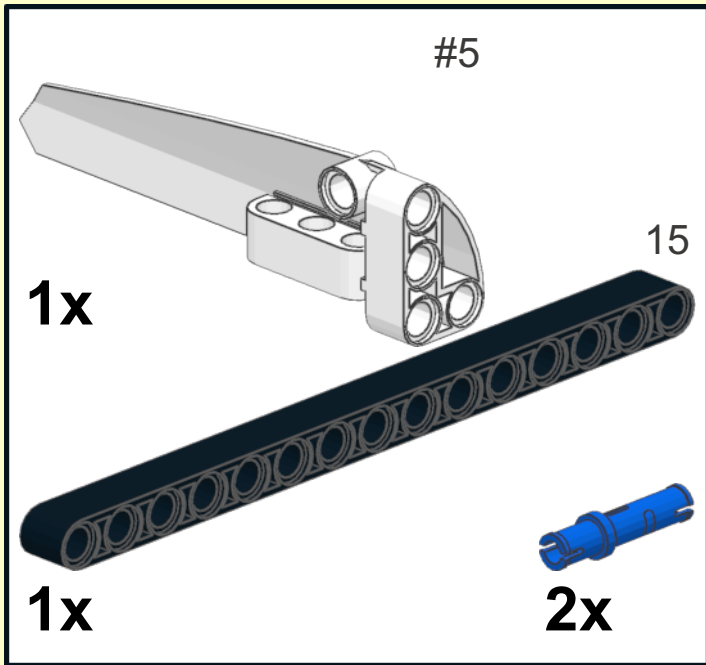
# 33



1



2



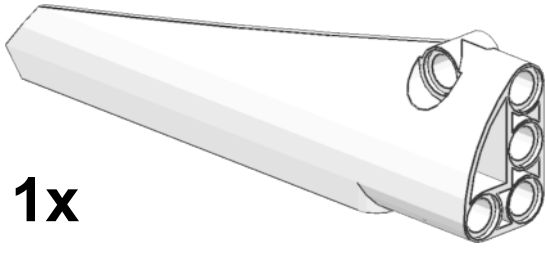


**3**

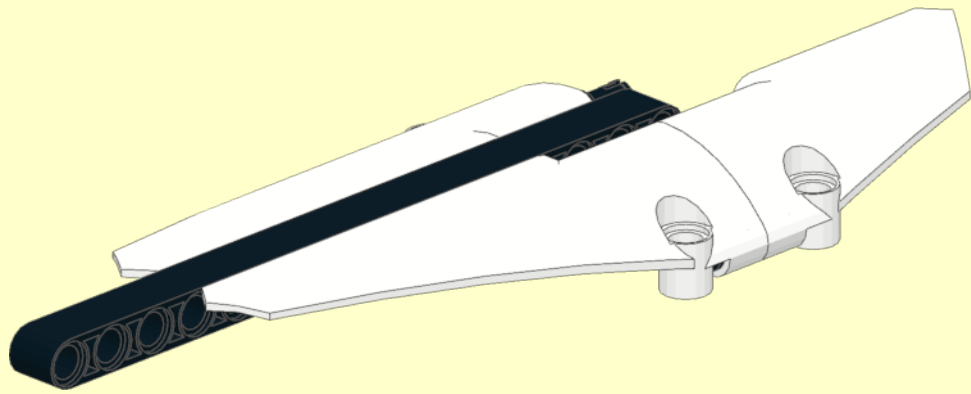


**2x**

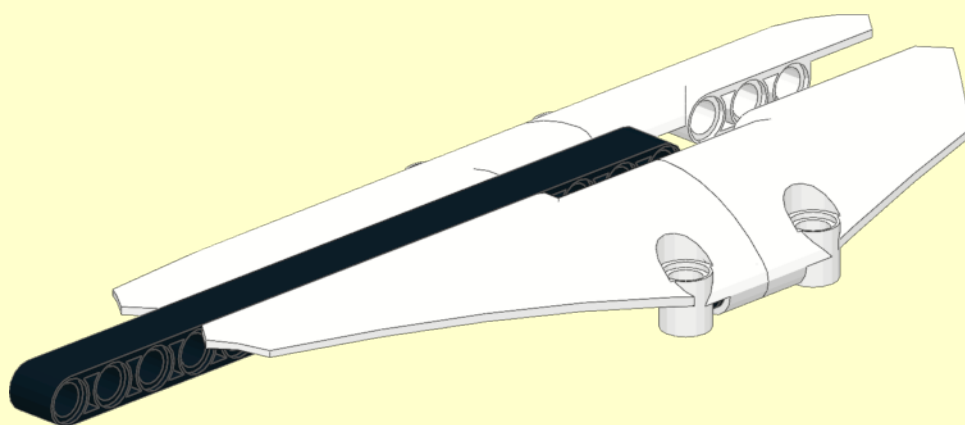
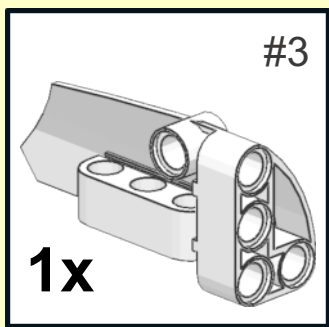
#6



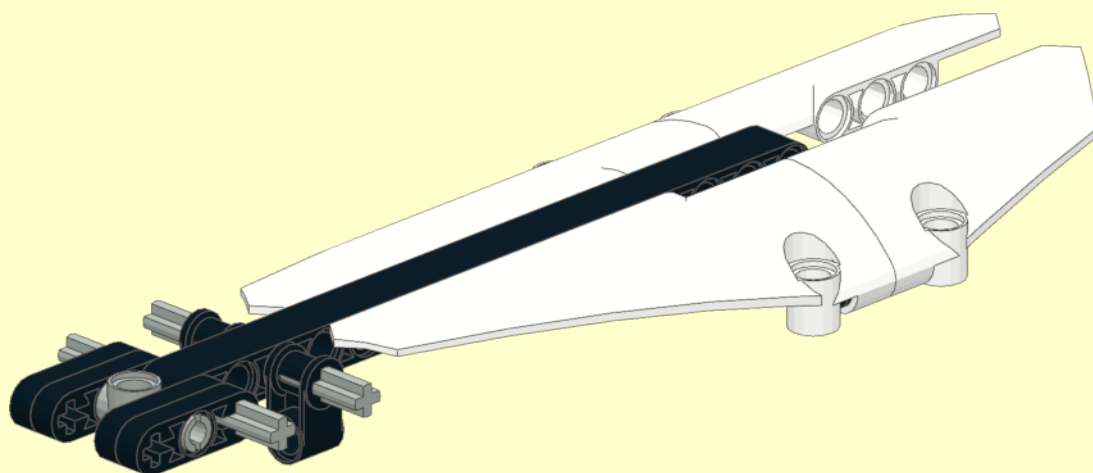
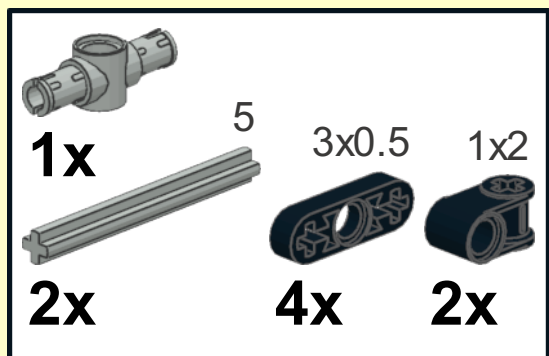
**1x**



4

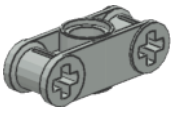


5

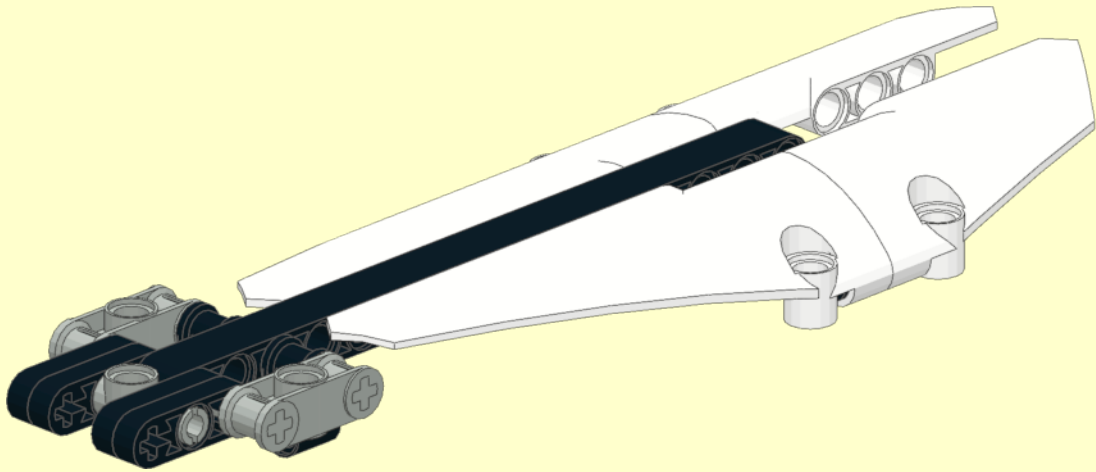


6

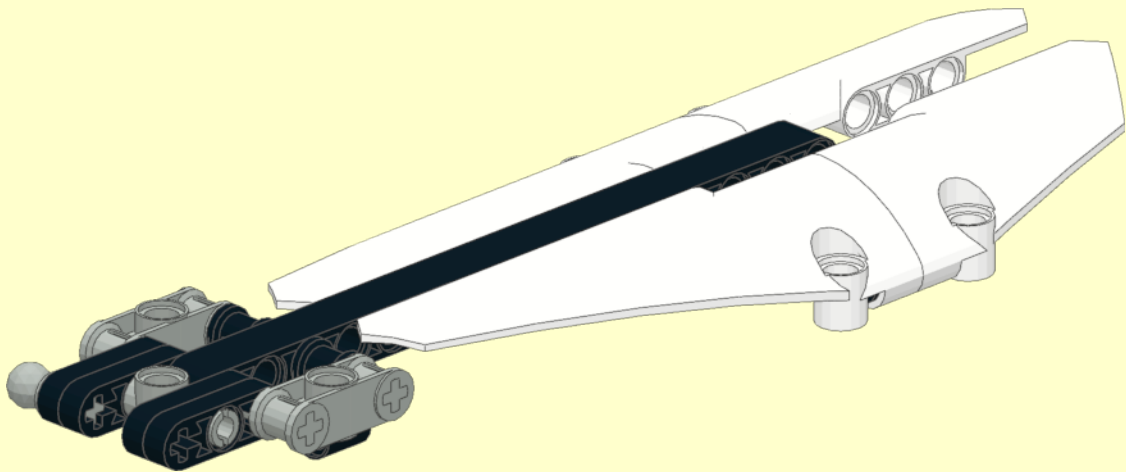
1x3



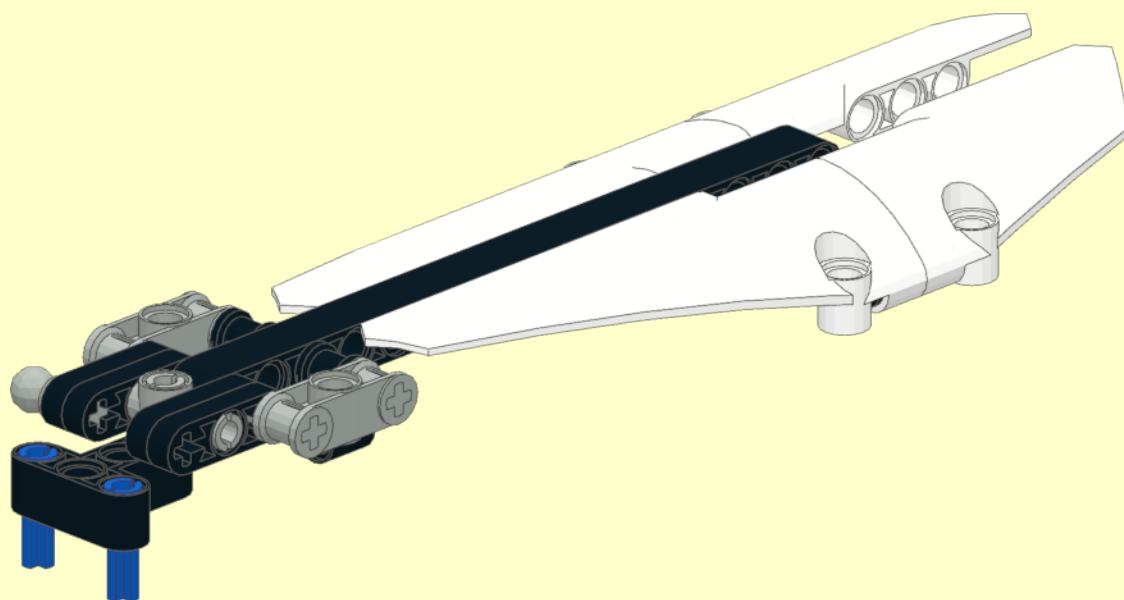
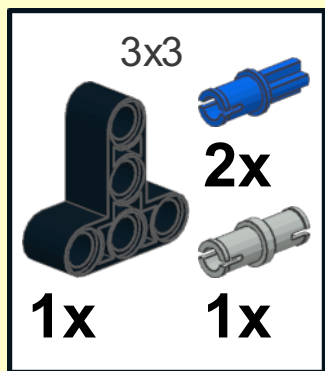
2x



7



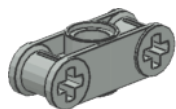
8



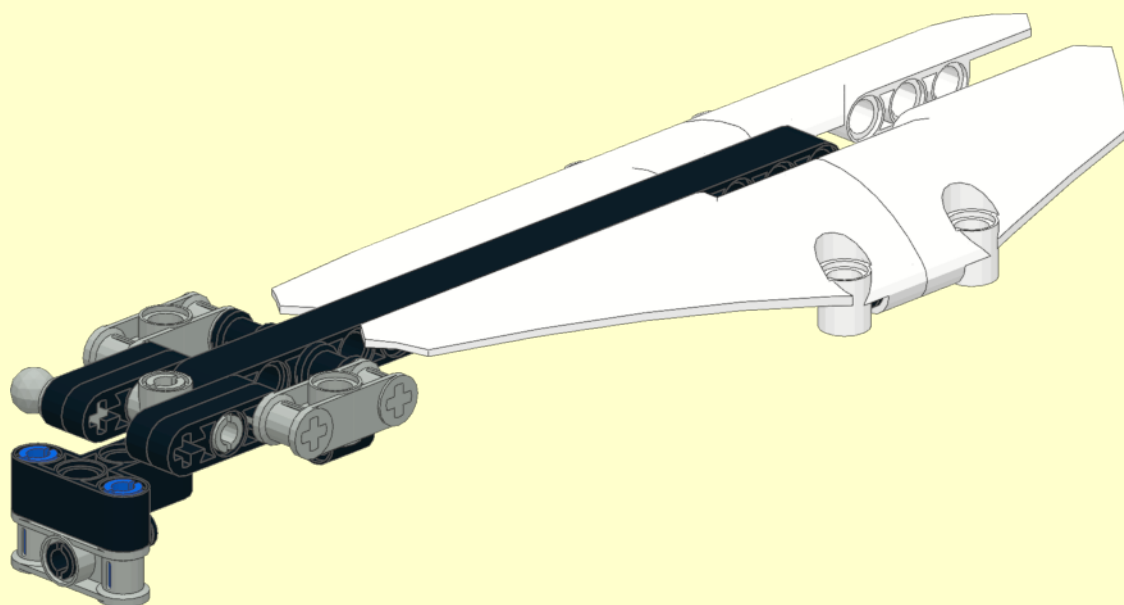
9

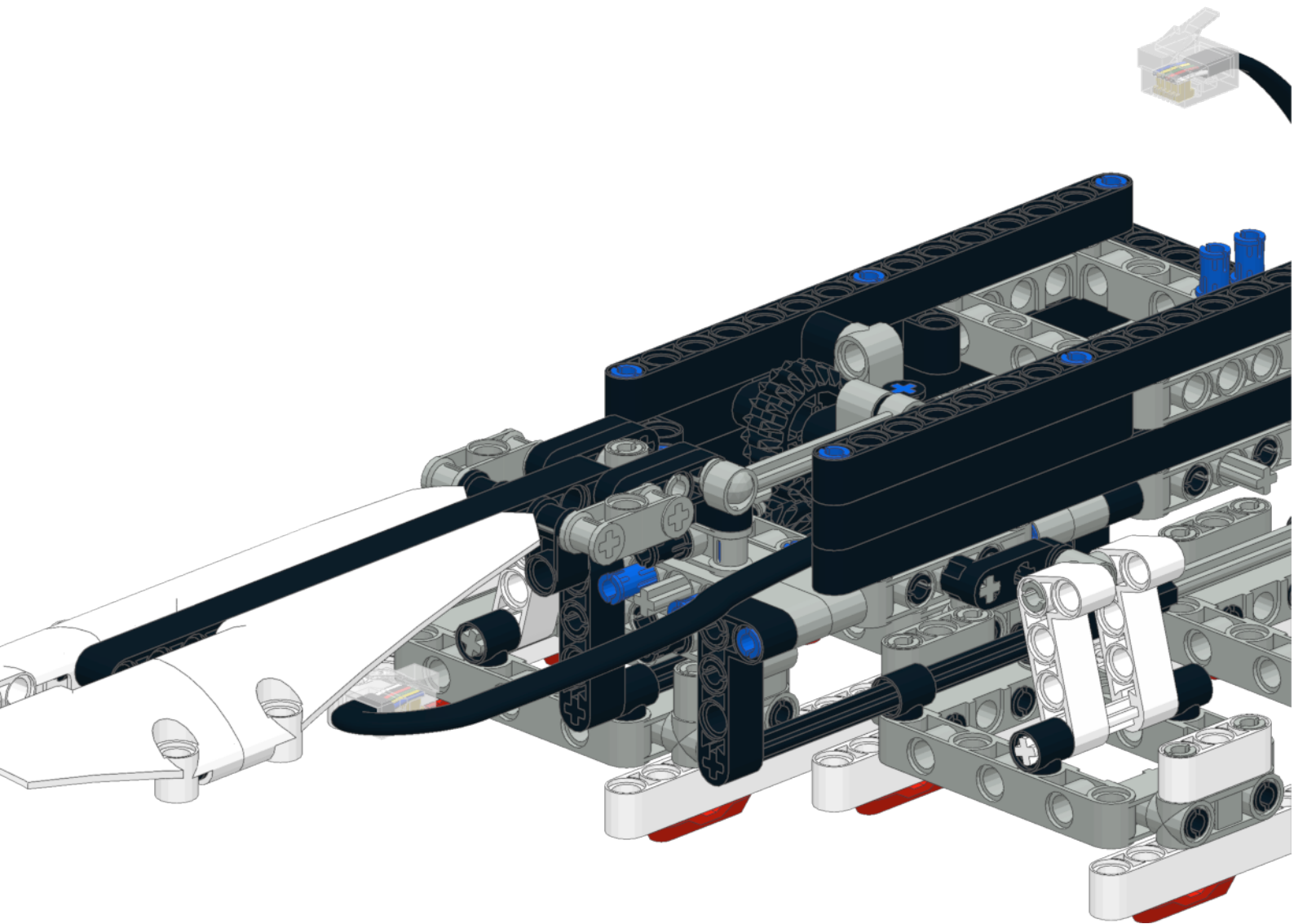


1x 1x3



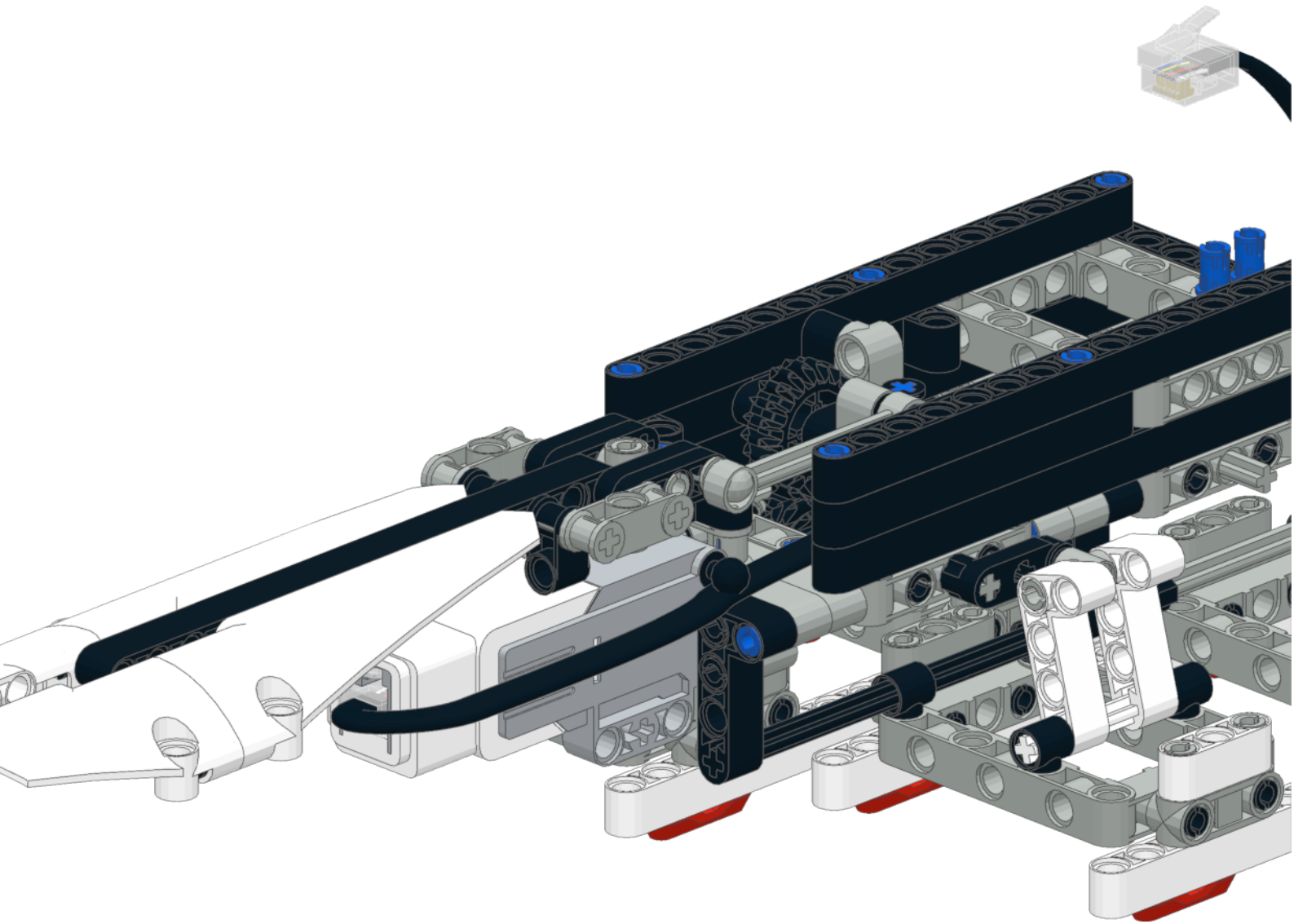
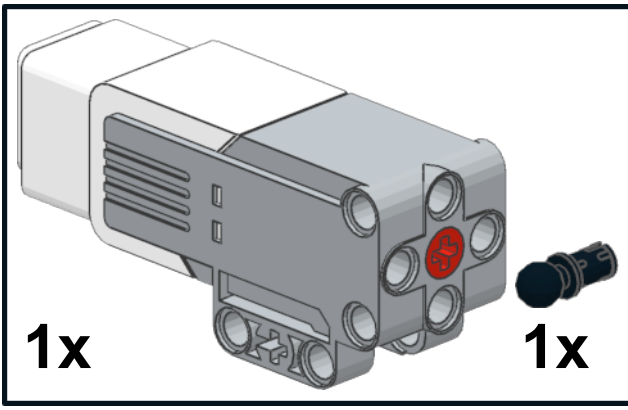
1x







35



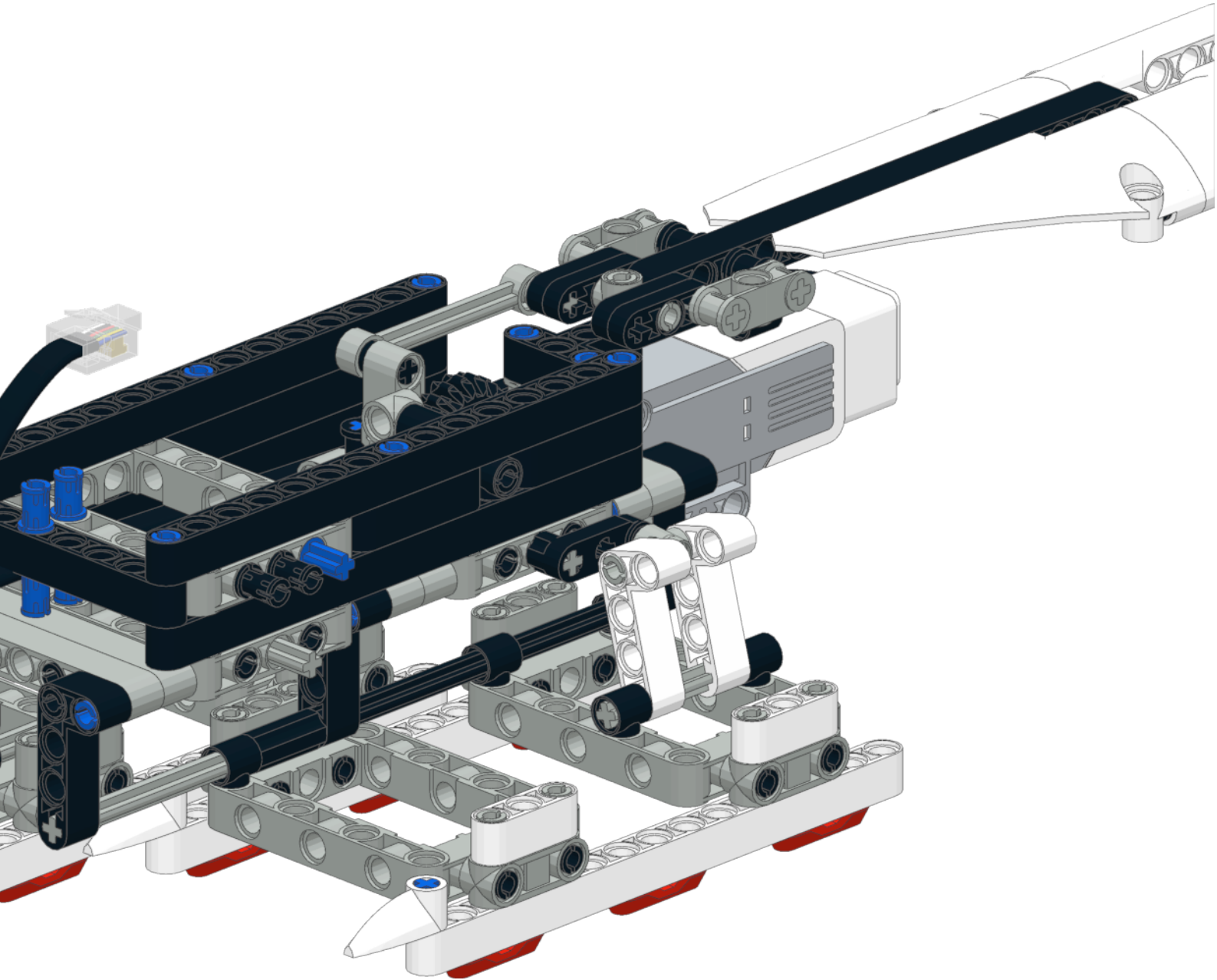
36



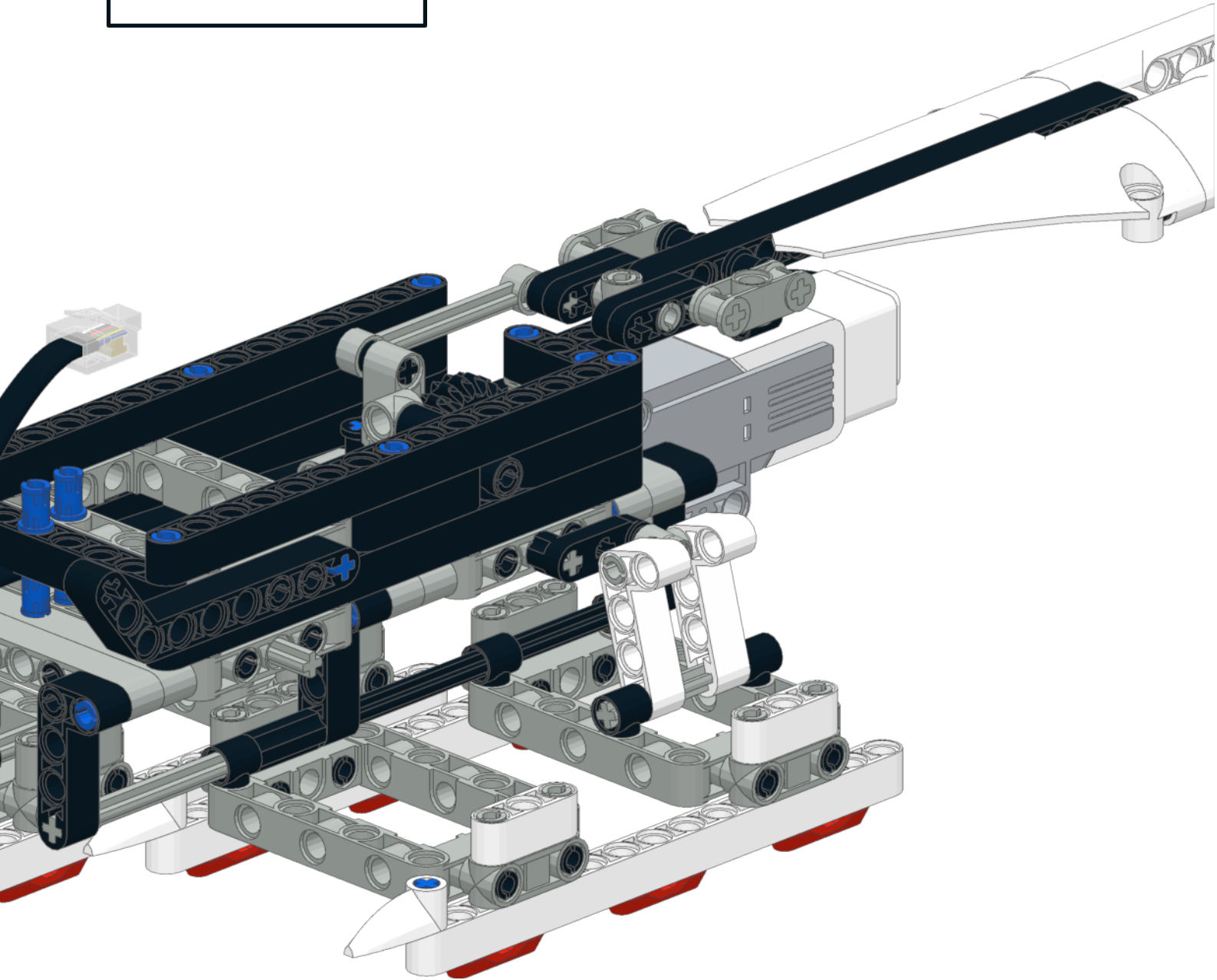
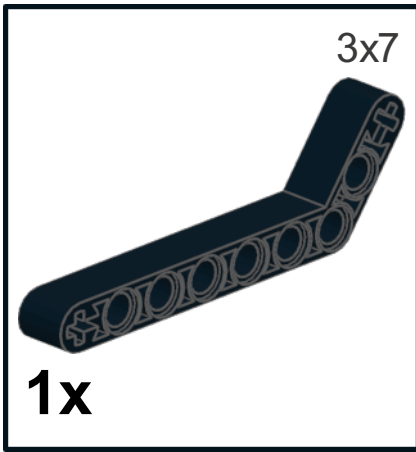
1x



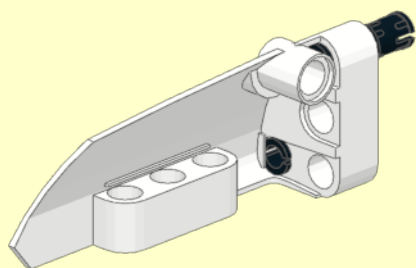
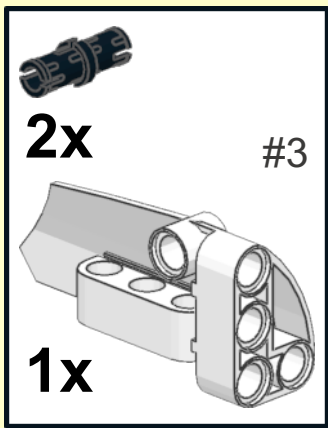
2x



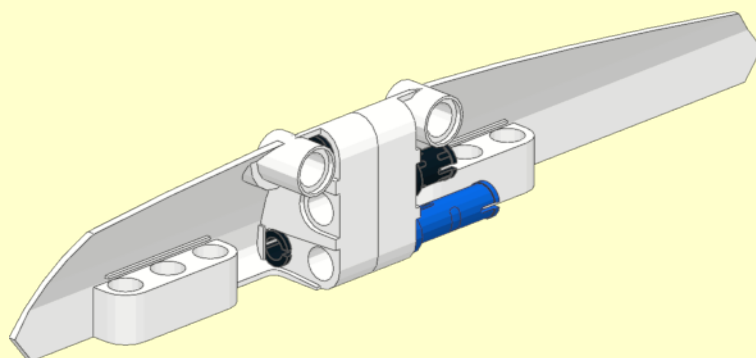
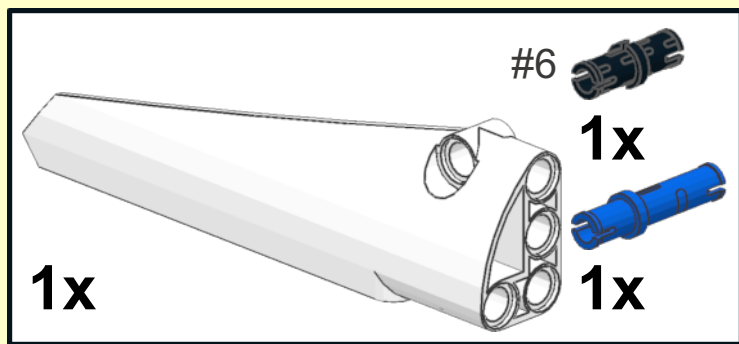
37



1



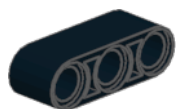
2



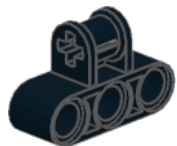
3



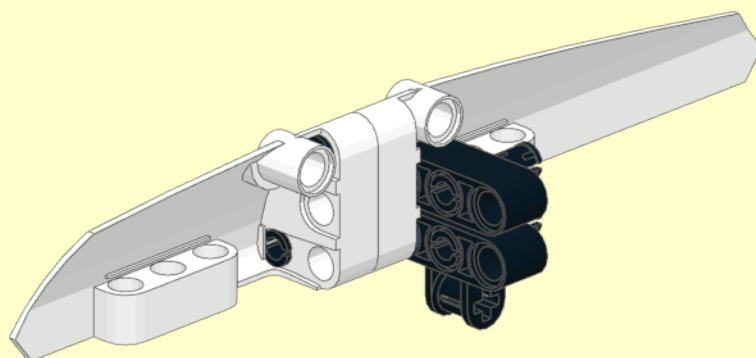
2x 3



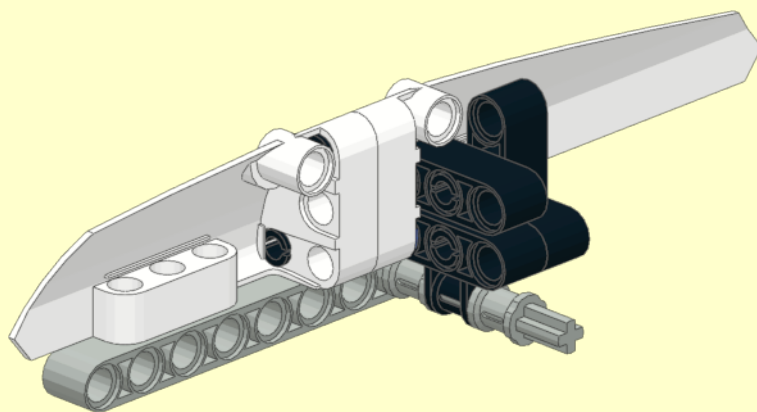
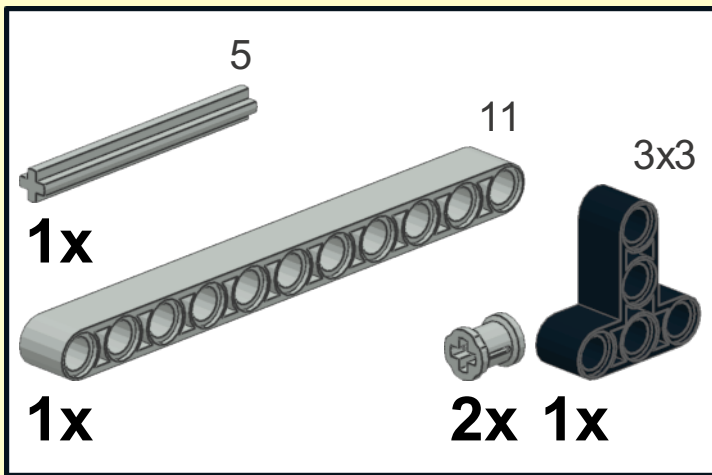
1x 3x2




1x

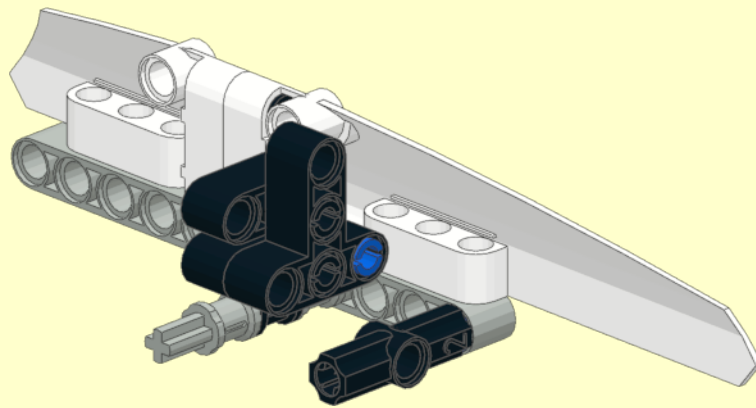


4



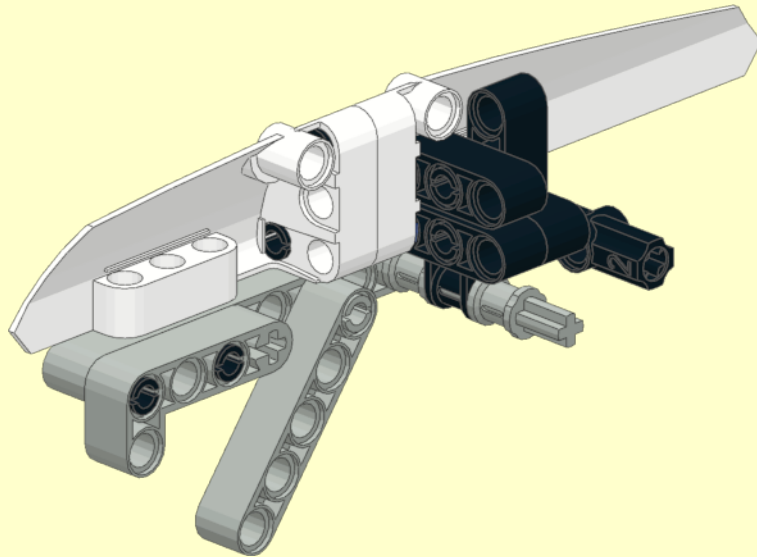
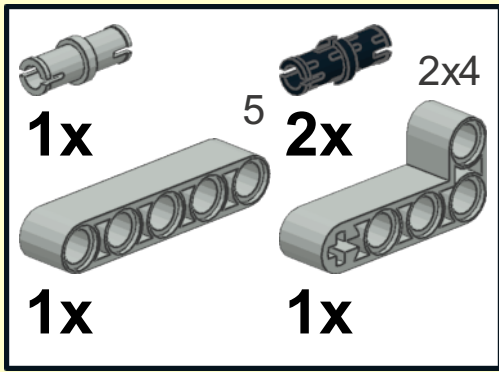
**5**

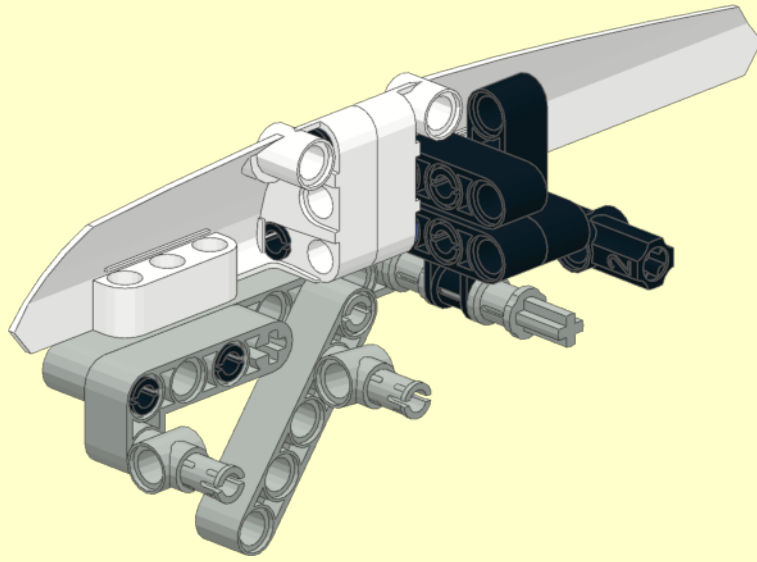
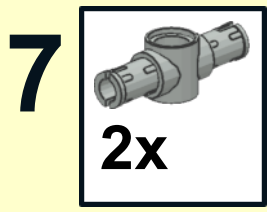
	#2
<b>1x</b>	<b>1x</b>



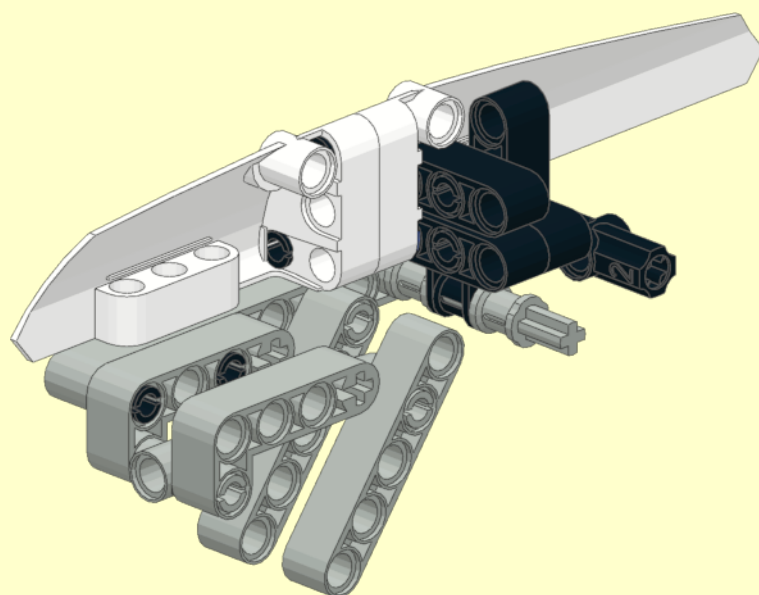
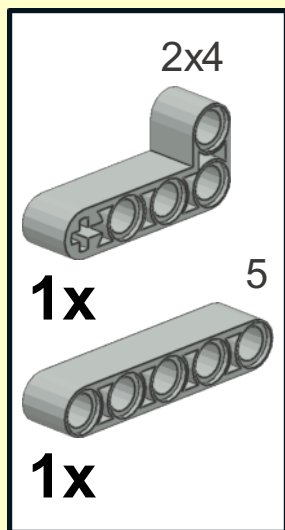


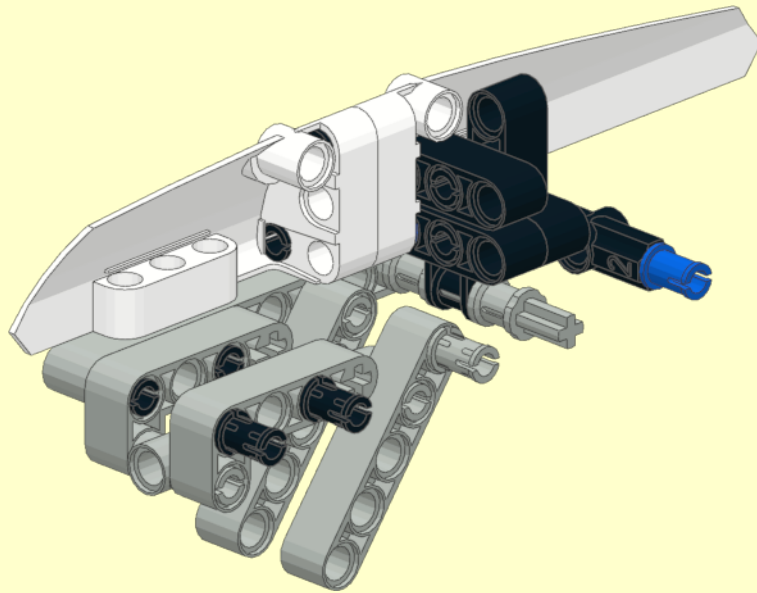
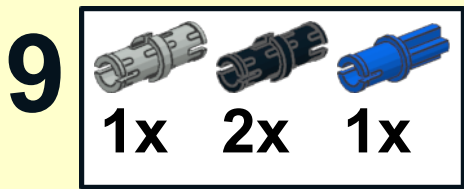
6



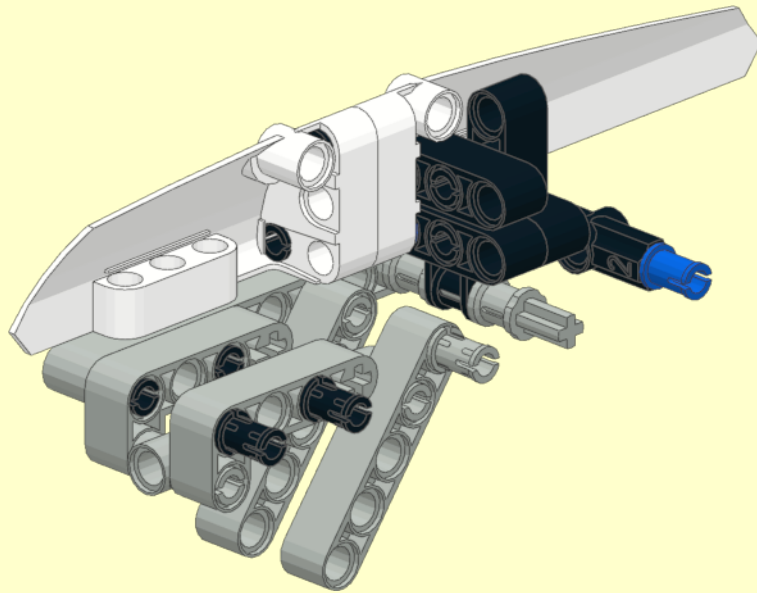


8

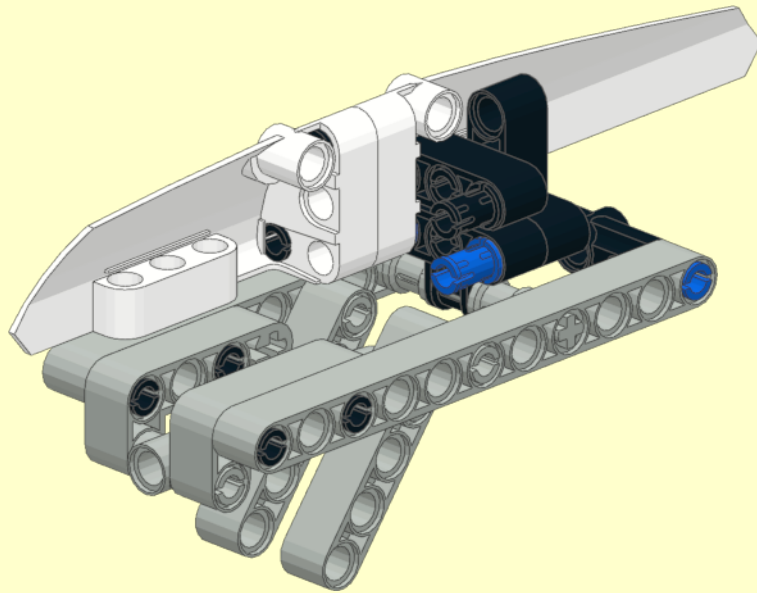
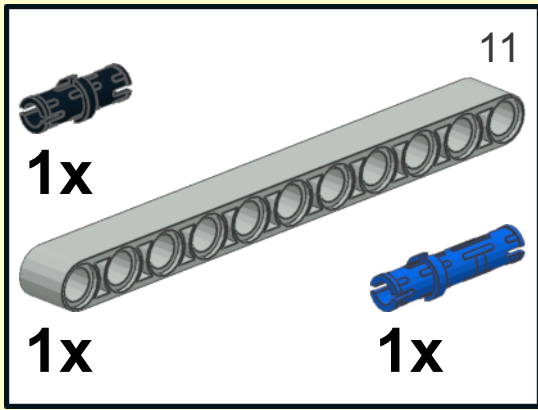




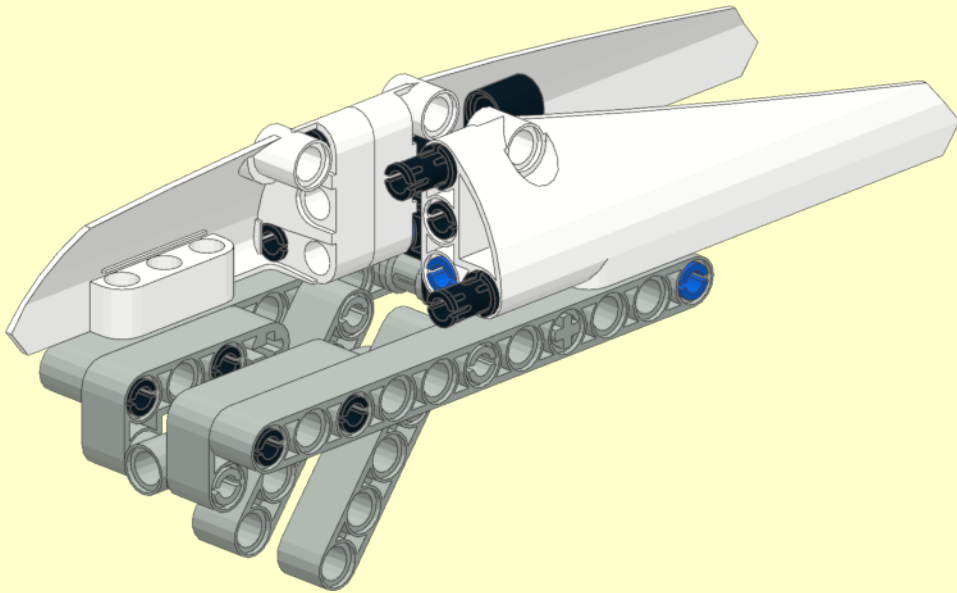
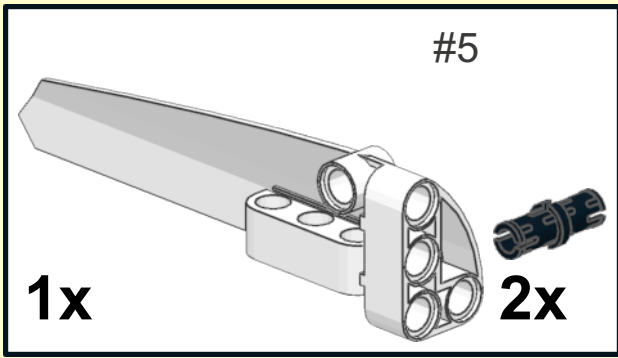
10



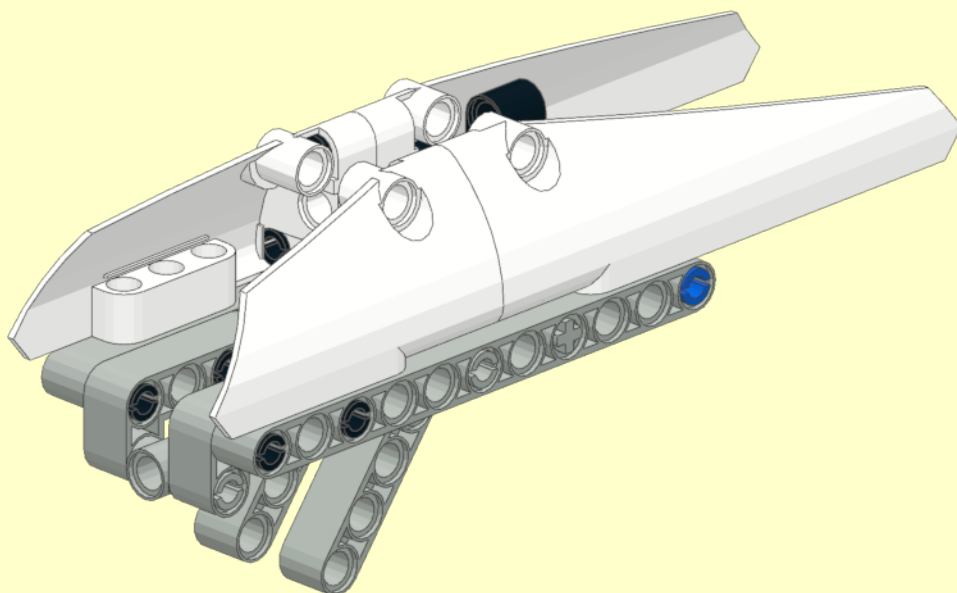
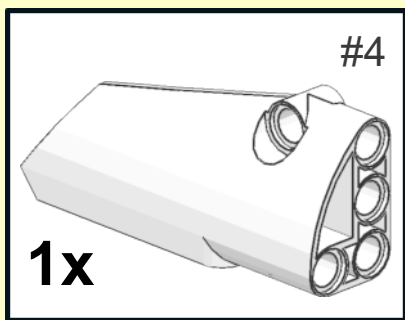
# 11



12

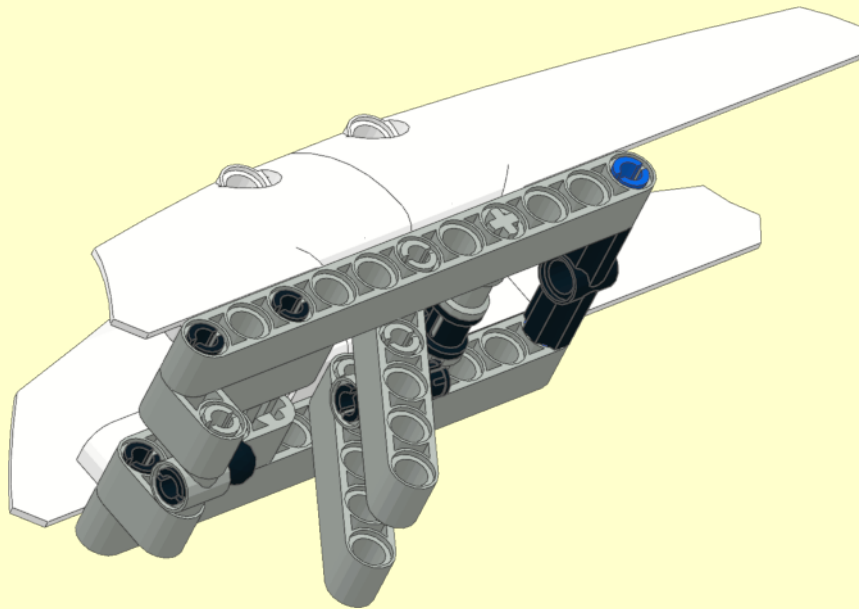


13

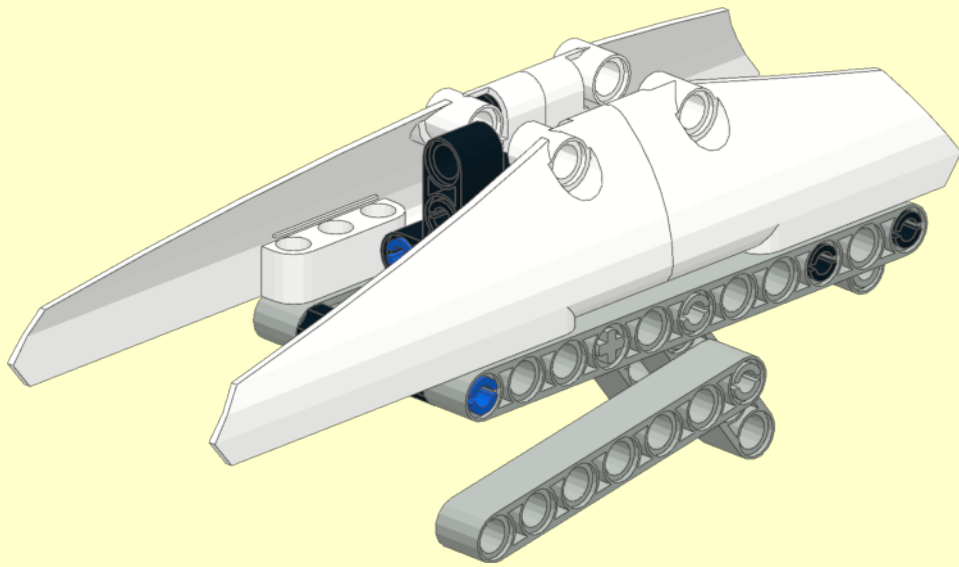
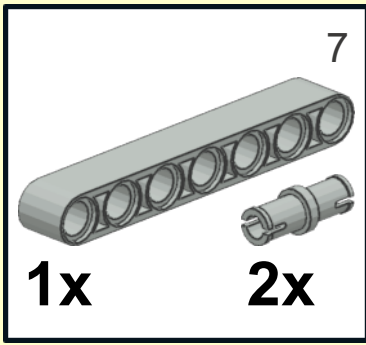




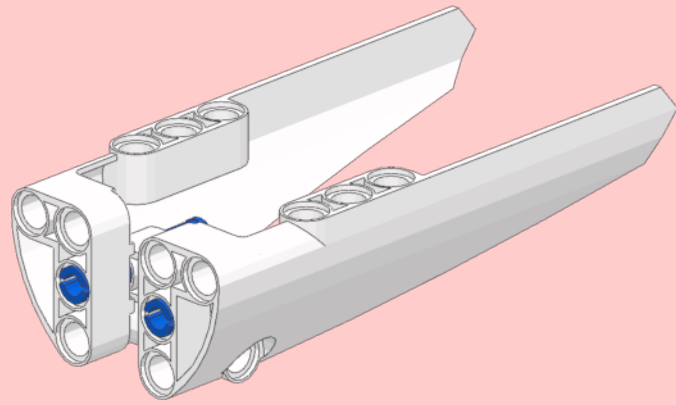
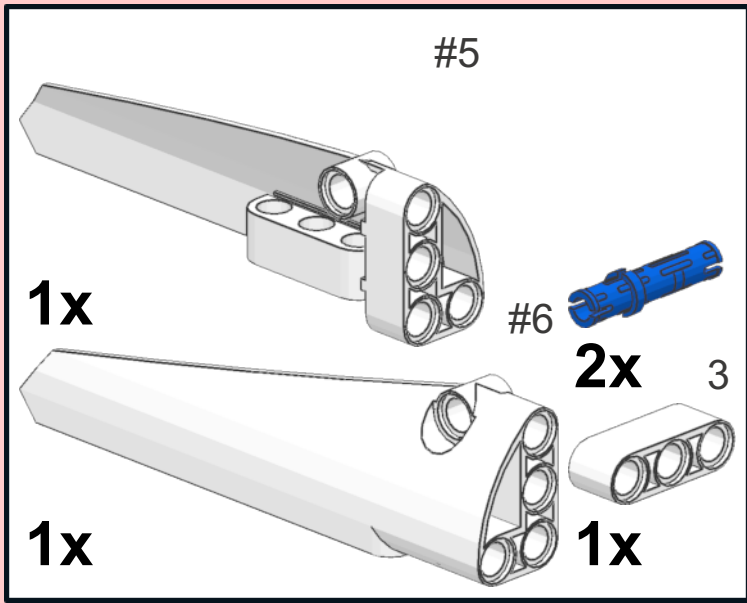
14



15



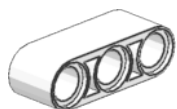
1



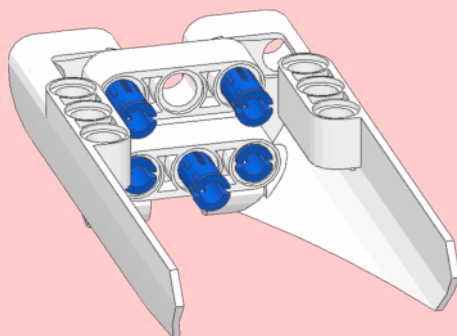
2



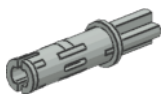
3x 3



2x



3



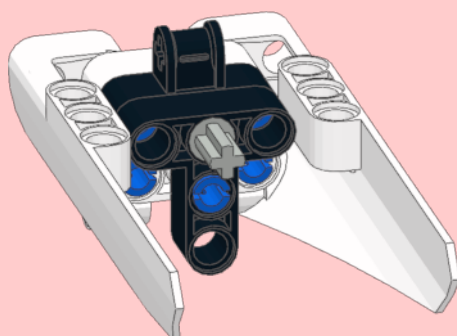
1x 3x2



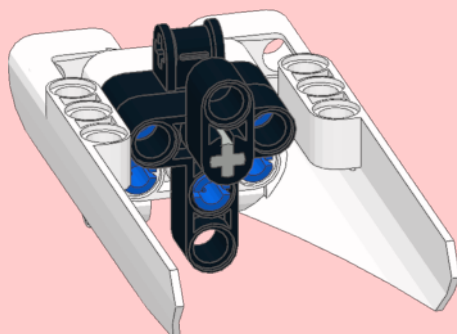
1x 3x3



1x



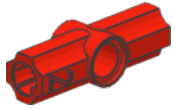
4



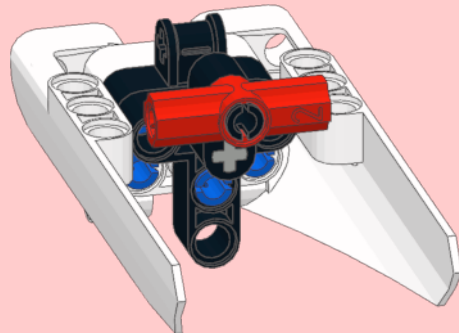
5

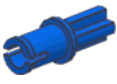


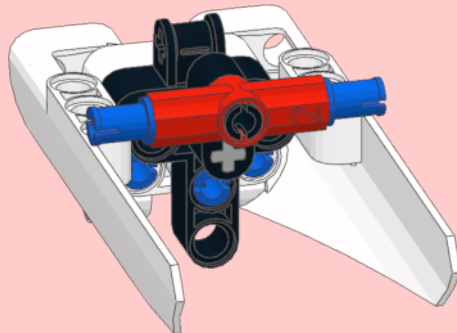
1x #2



1x

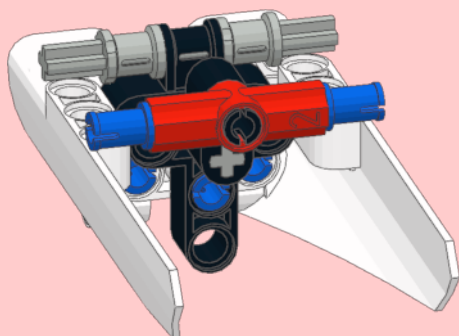
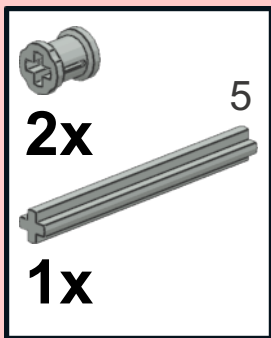


6   
2x



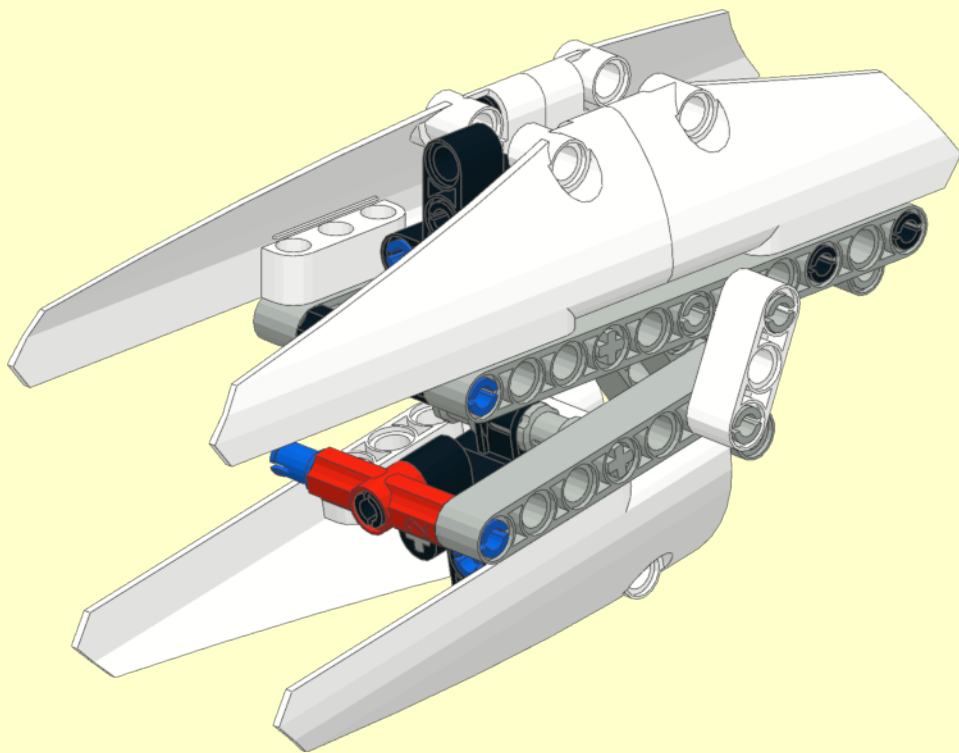


7

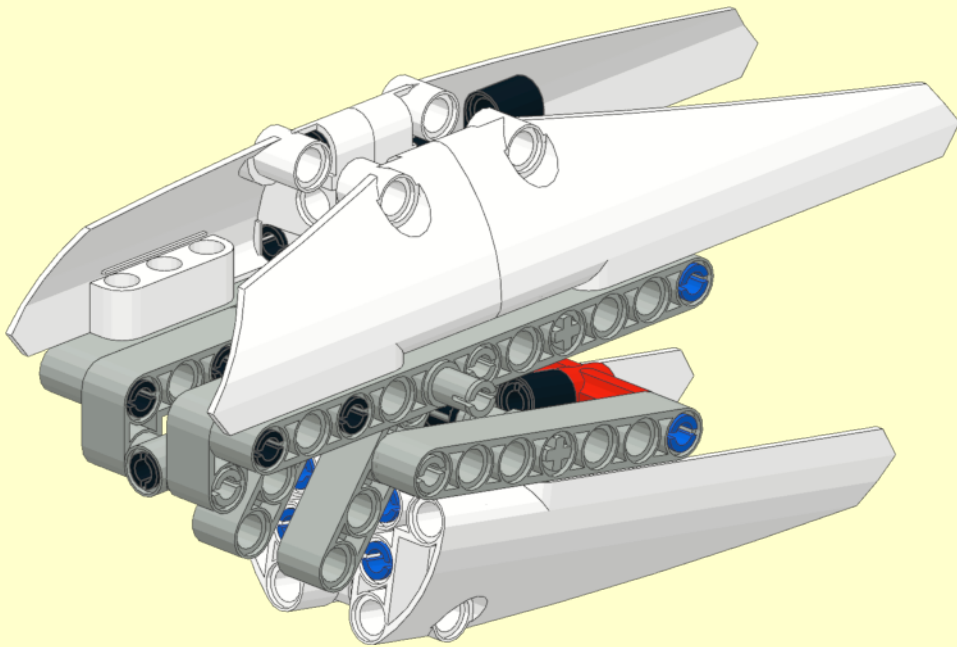
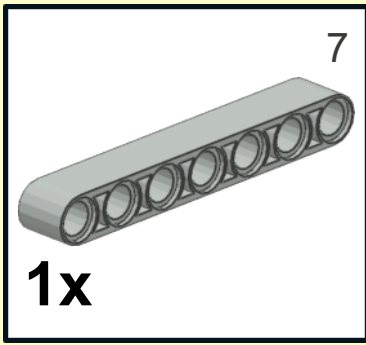


16

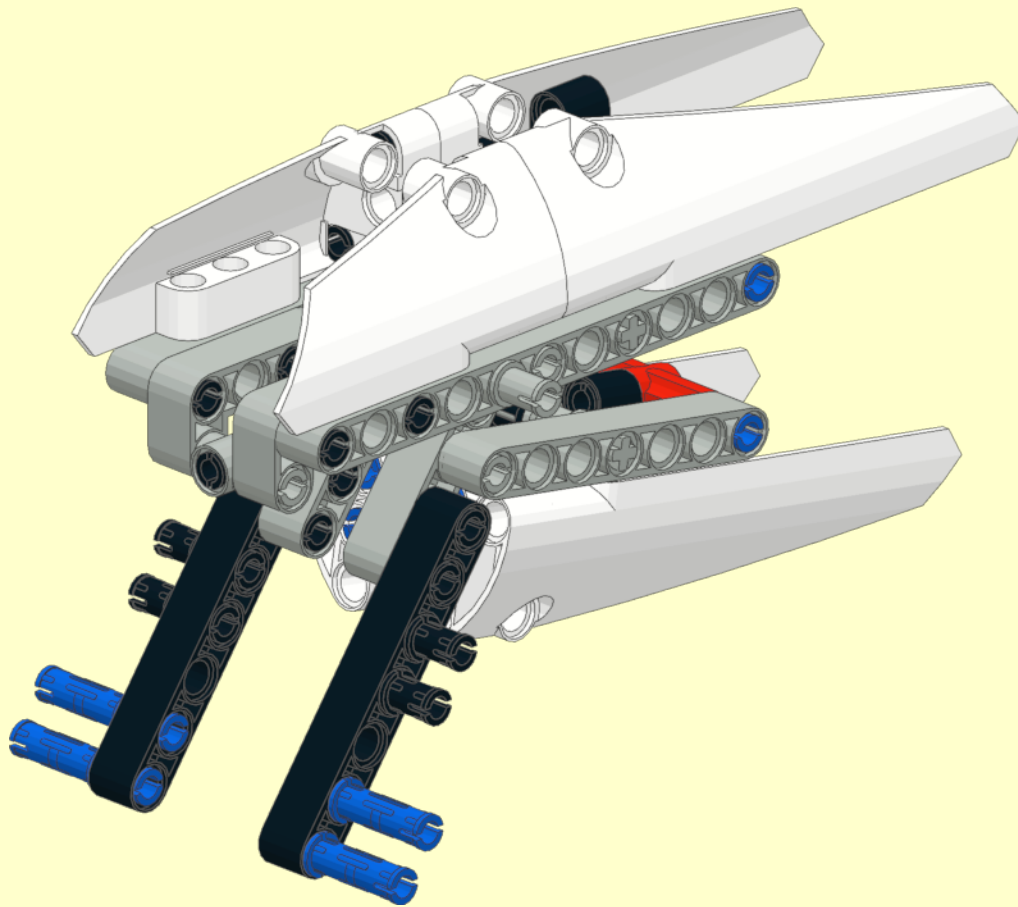
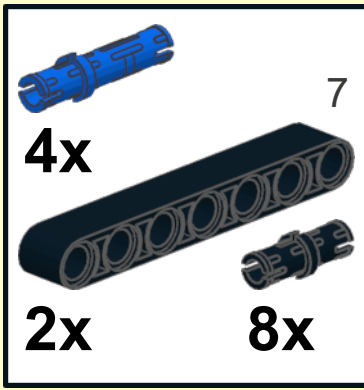
3x 3  
1x



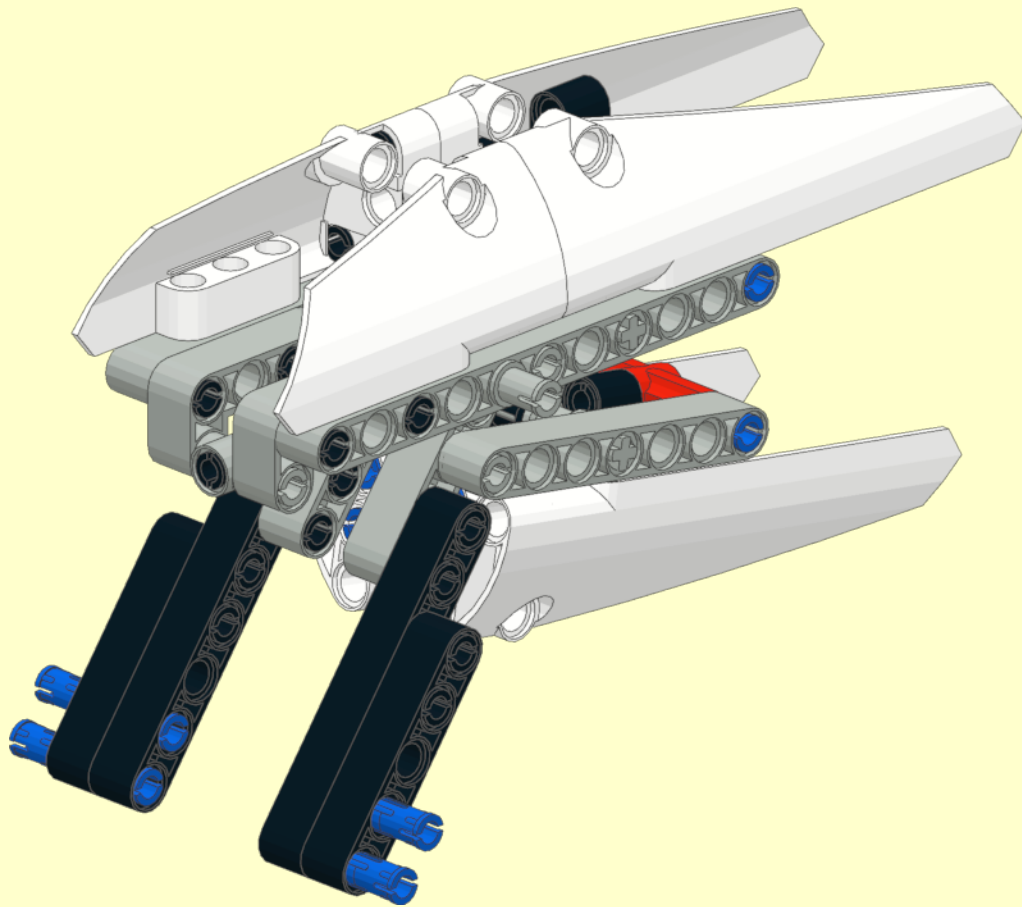
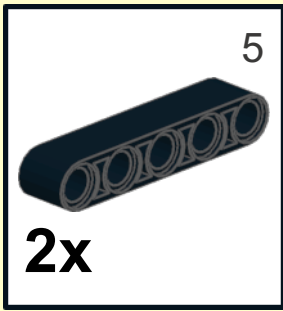
17



# 18



19

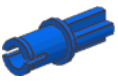


20

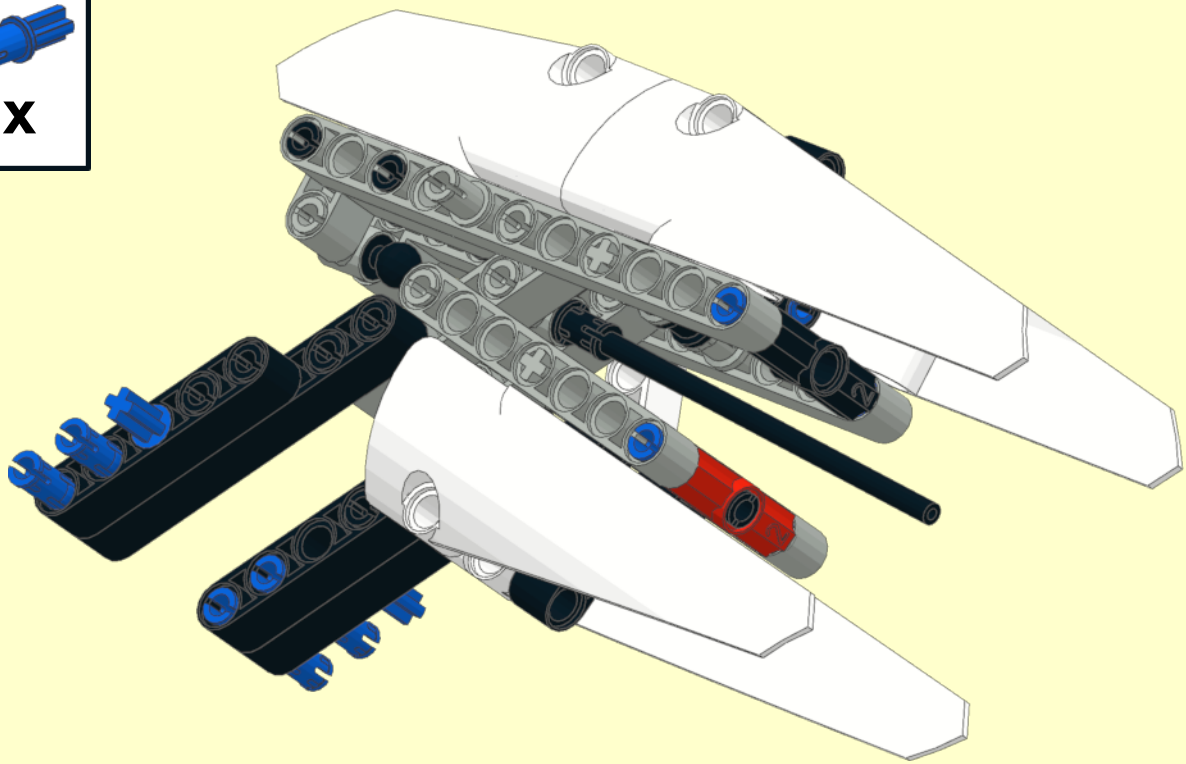
9L



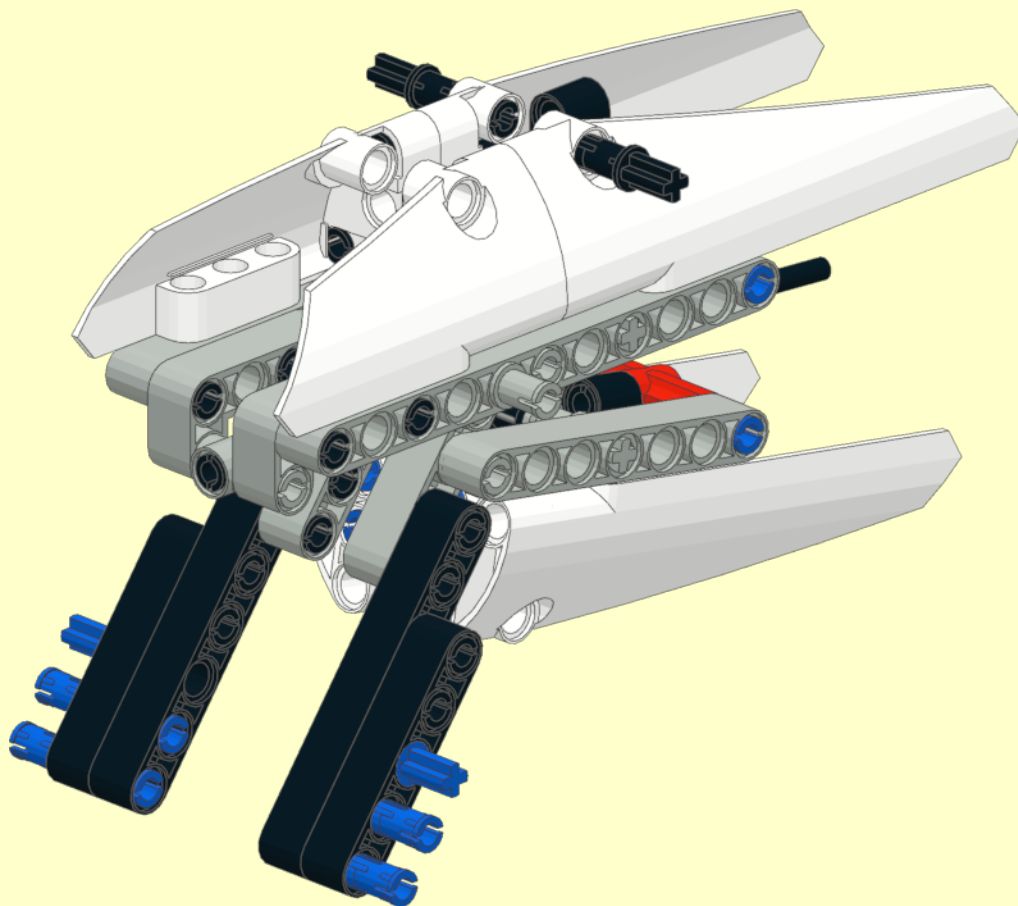
1x



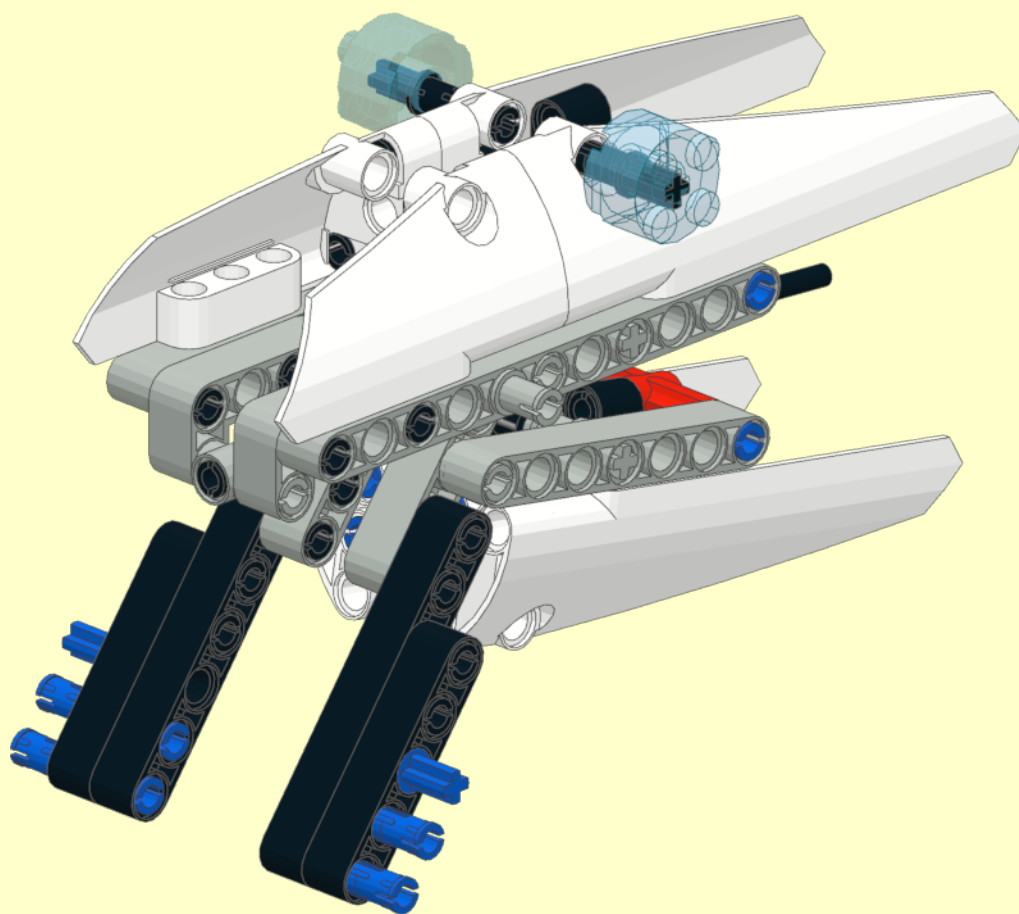
2x



21

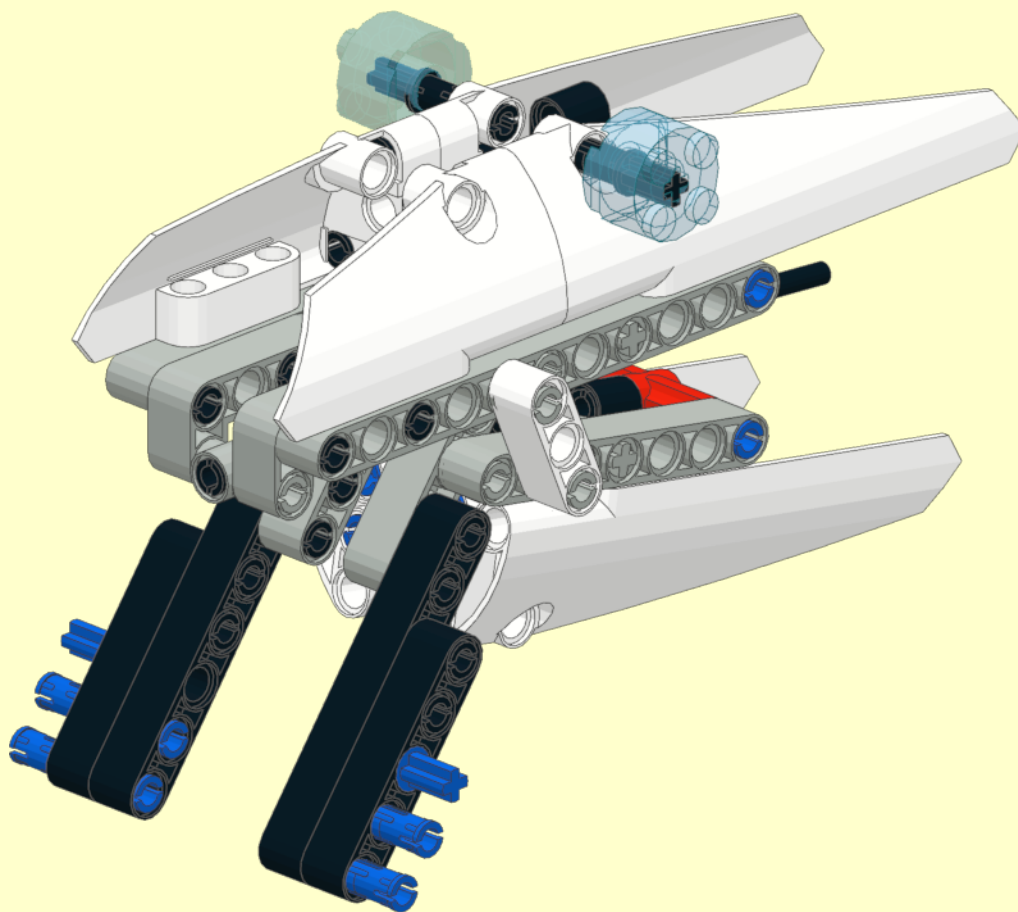
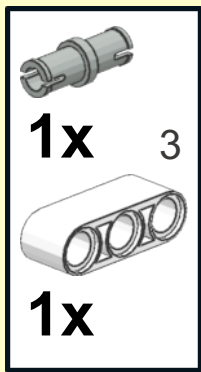


22

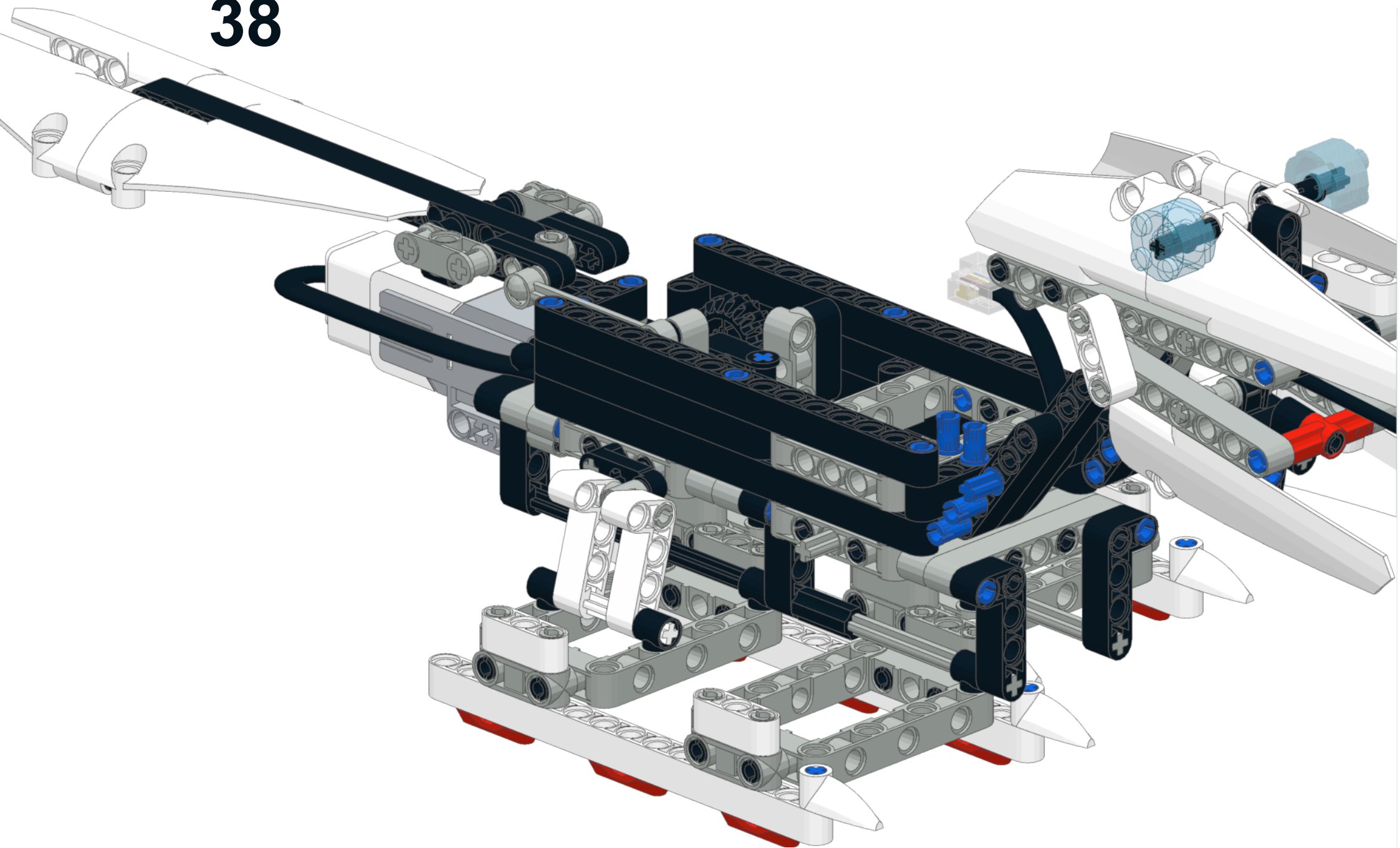




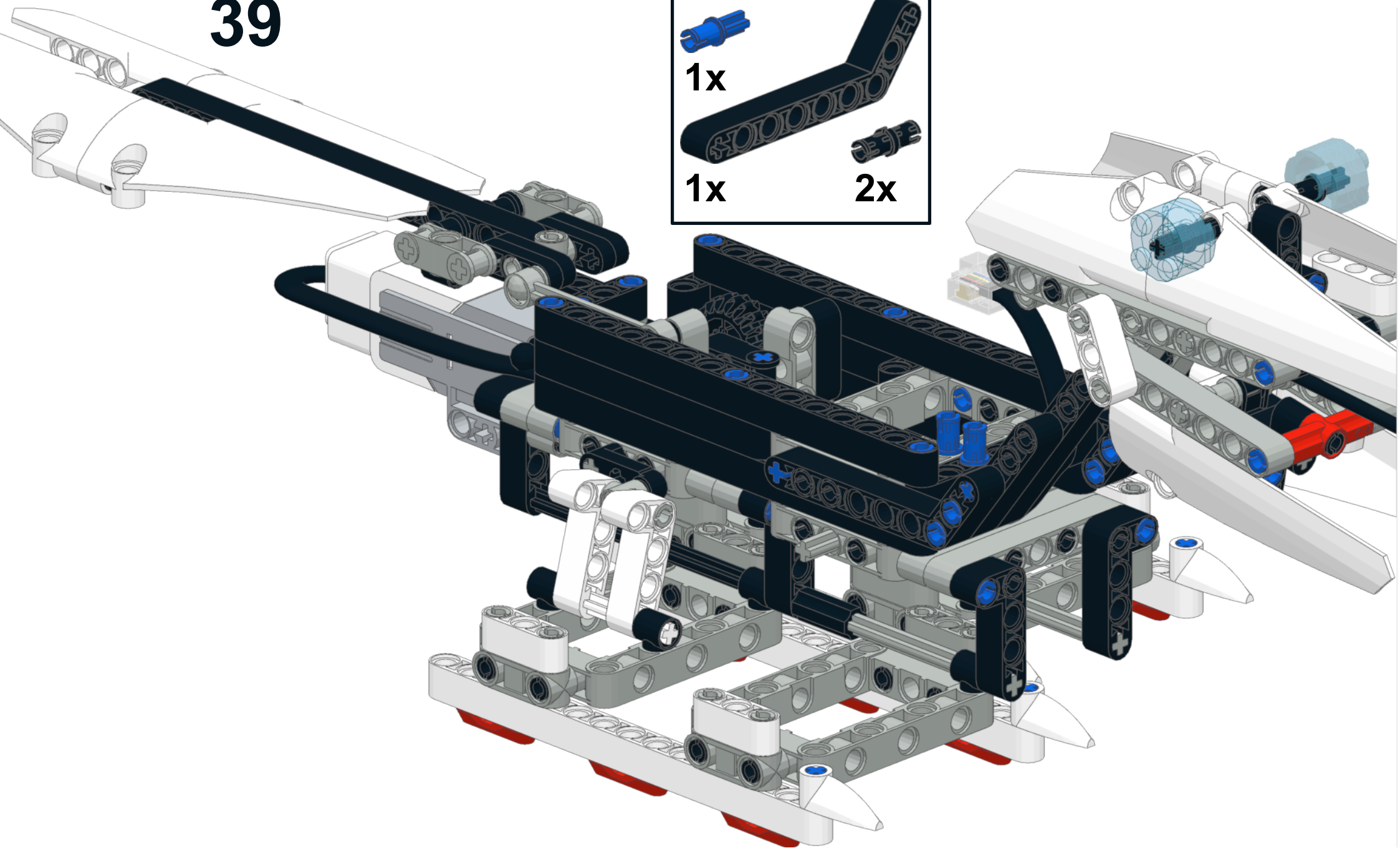
23



38



39



3x7





1x

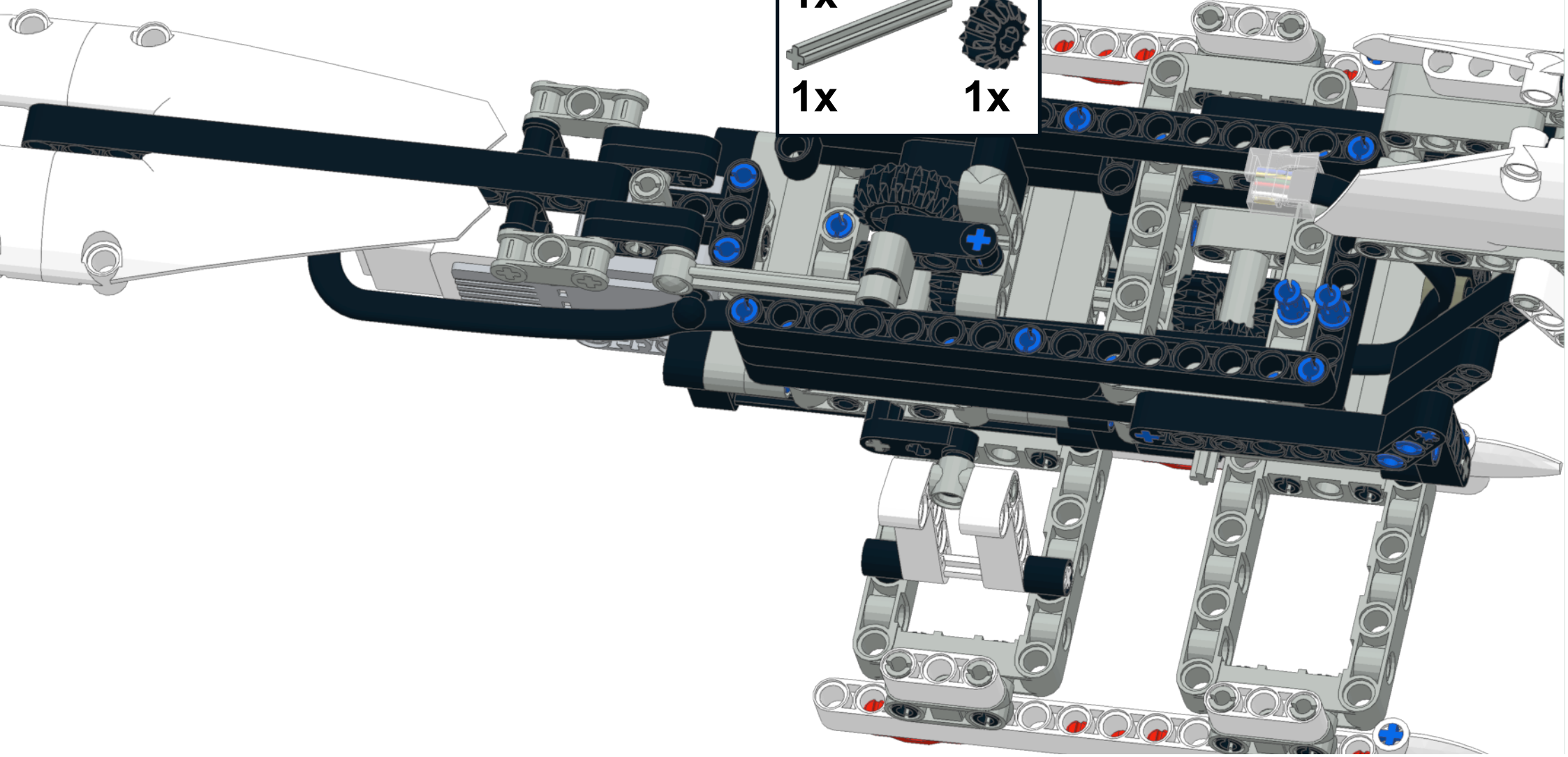
1x

2x

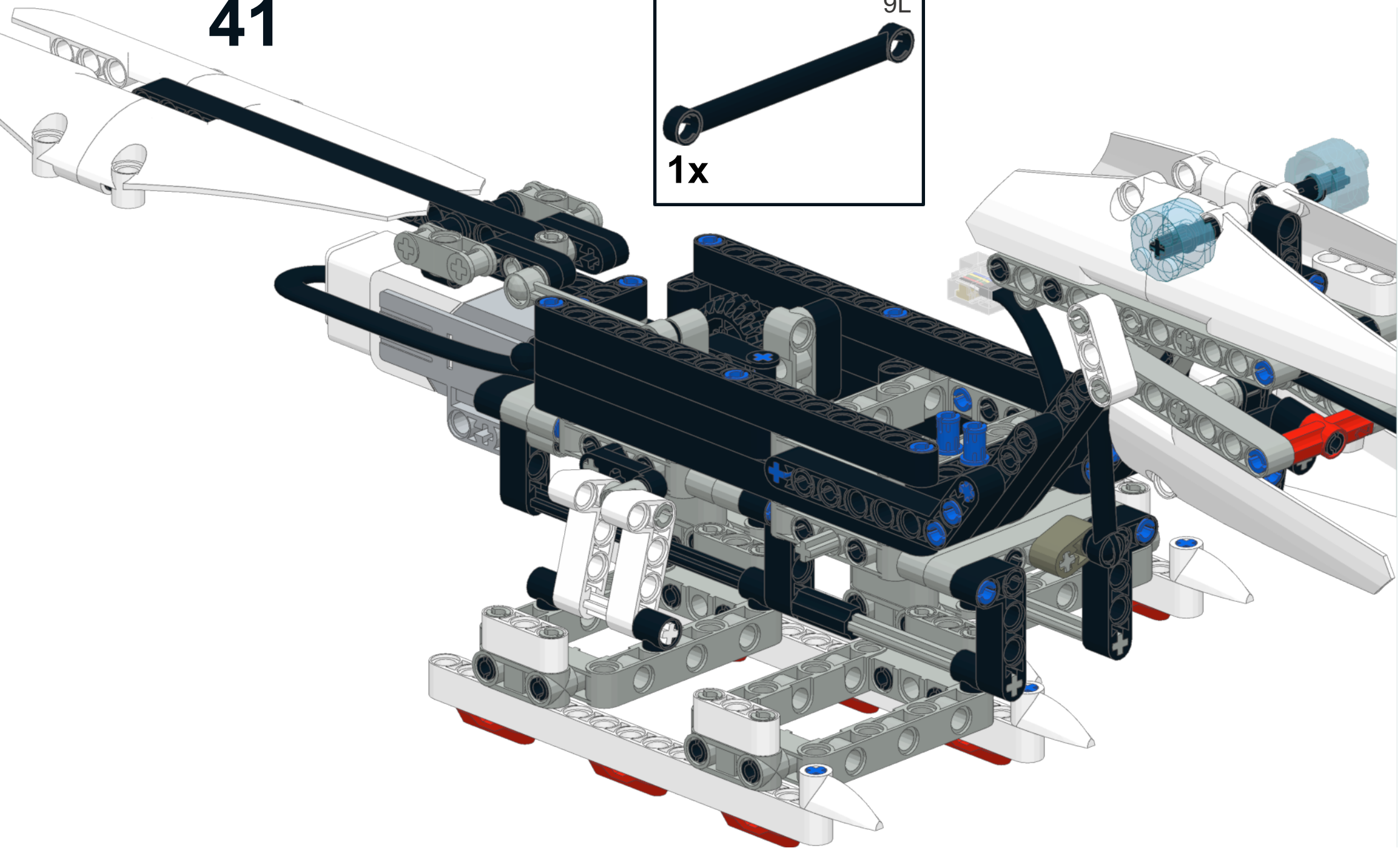
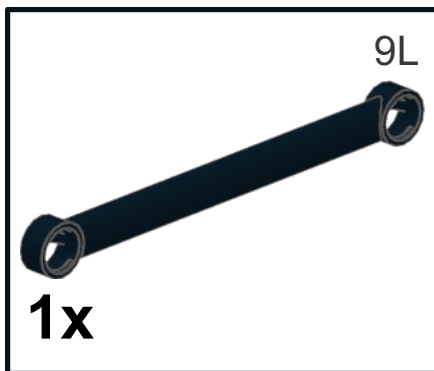
A parts list box for step 39. It contains three items: a blue pin (1x), a black 3x7 Technic beam (1x), and two grey pins (2x). The items are arranged in a grid-like fashion. The blue pin is at the top left, the black beam is in the middle, and the two grey pins are at the bottom. The text '3x7' is at the top right, '1x' is to the left of the blue pin, '1x' is to the left of the black beam, and '2x' is to the left of the grey pins.

# 40

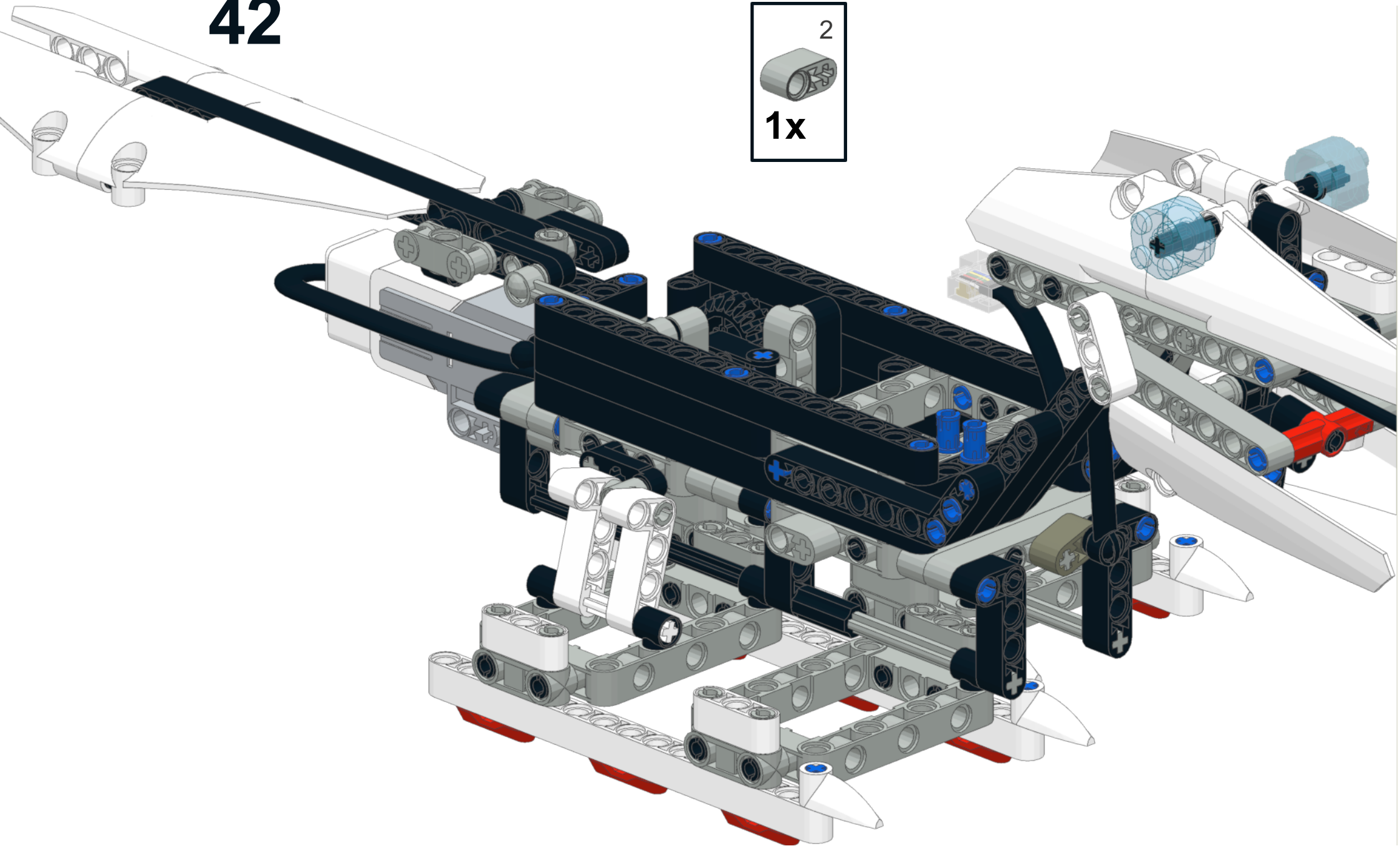
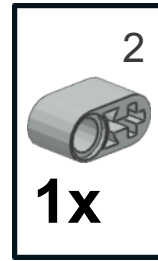
 2 <b>1x</b>	 <b>1x</b>
 5 <b>1x</b>	 12 <b>1x</b>



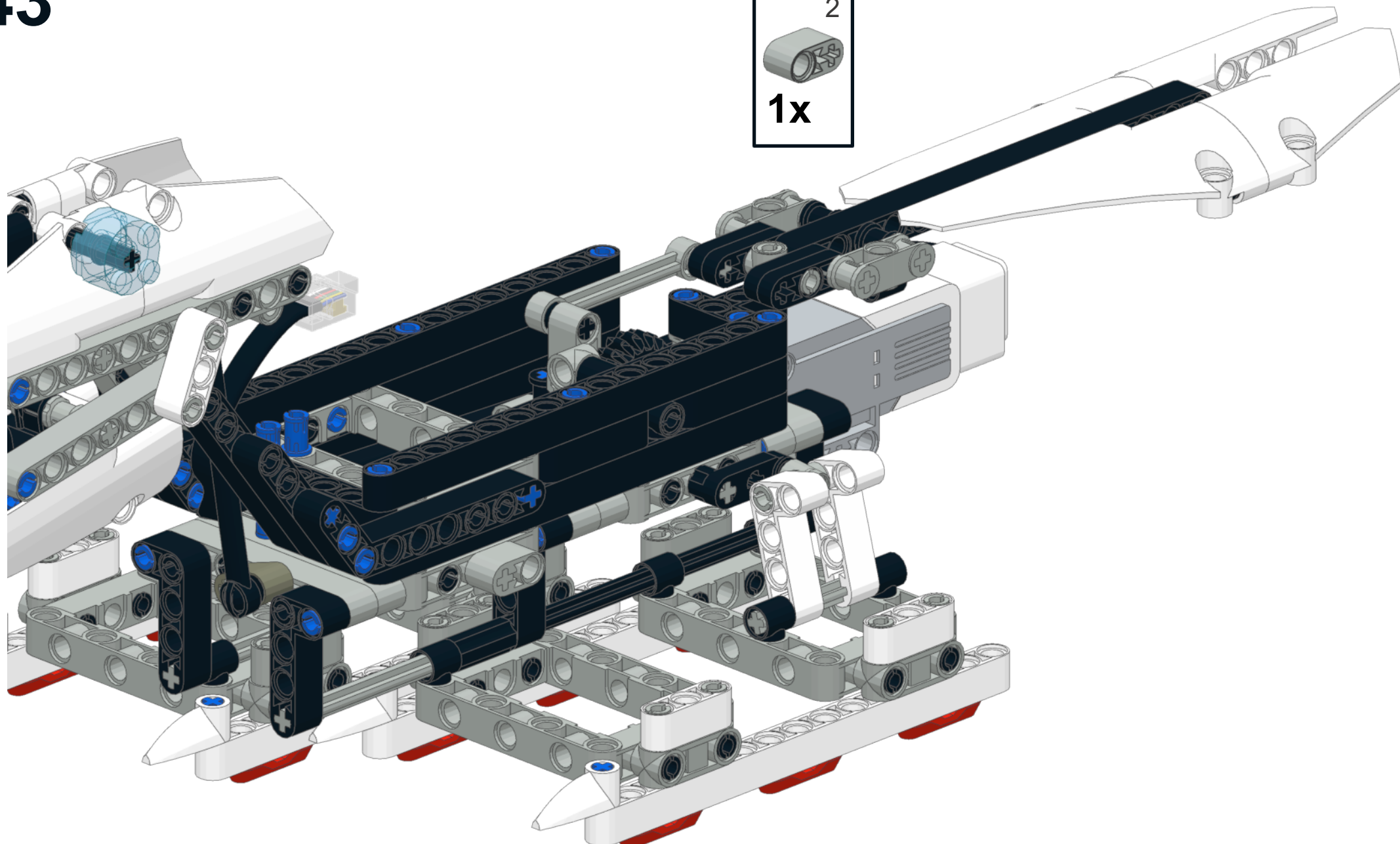
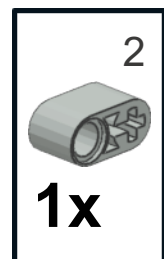
41

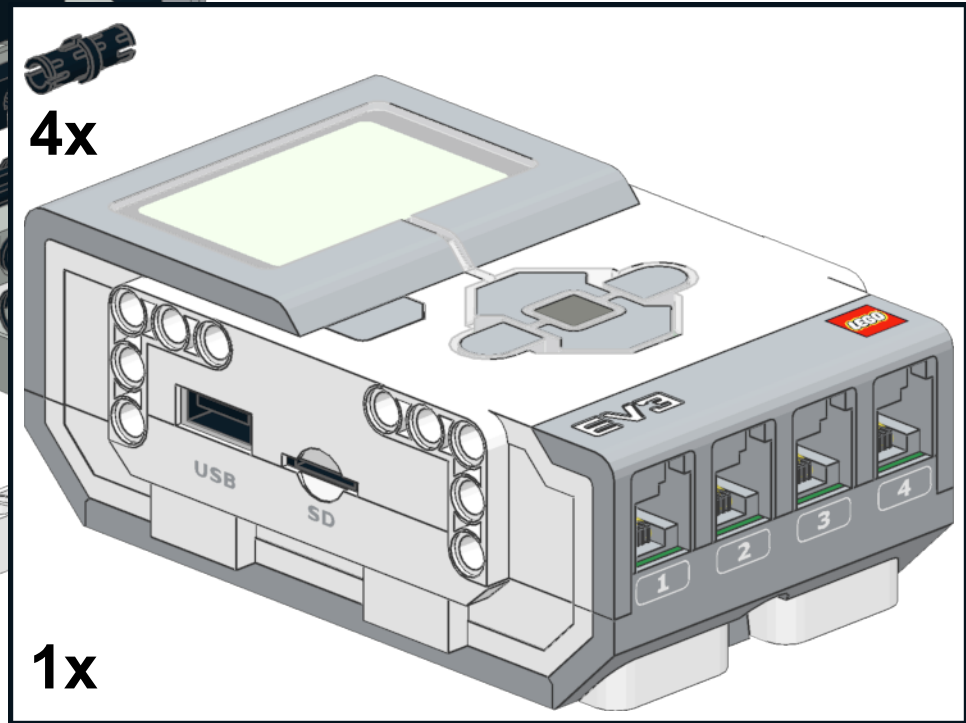
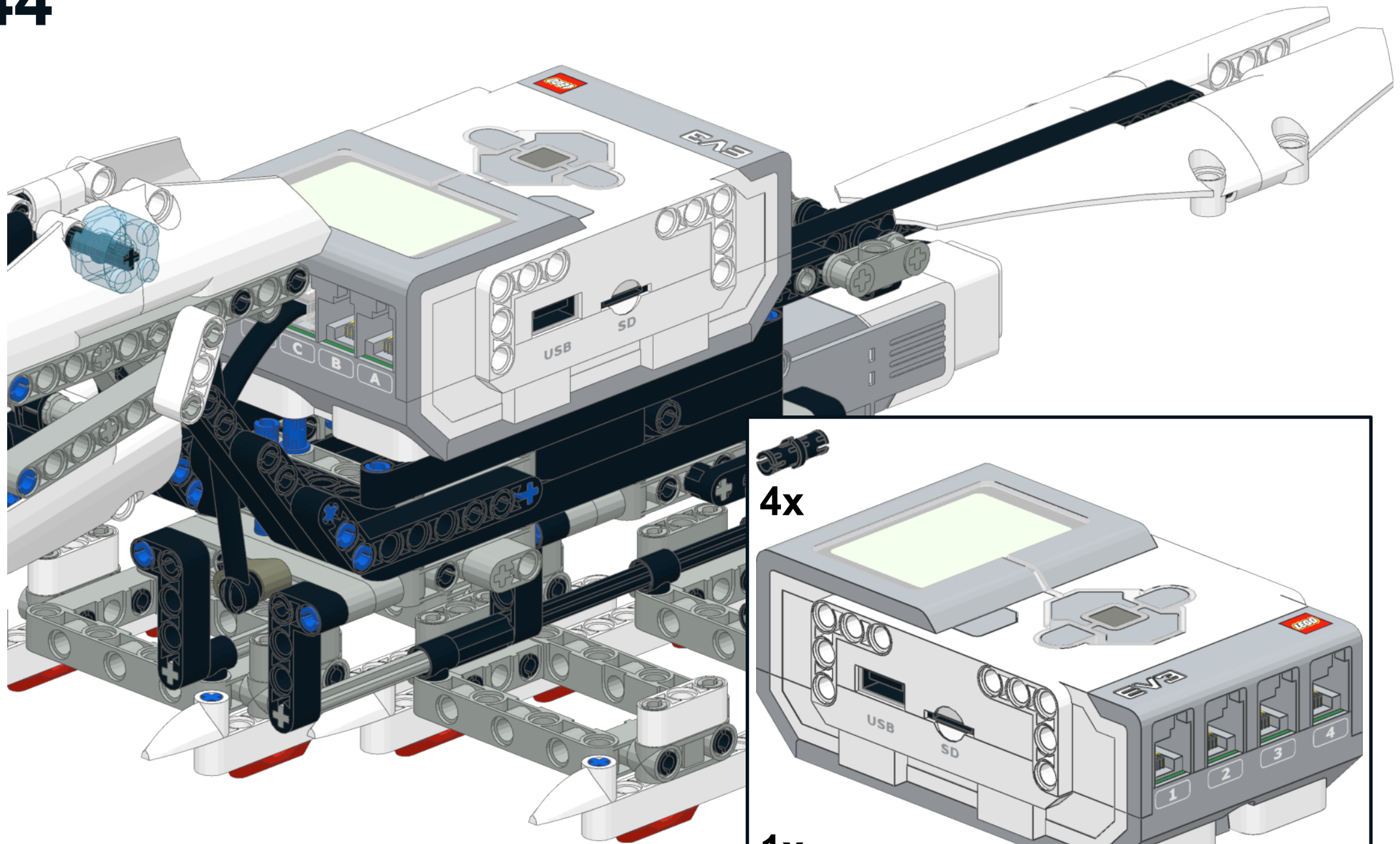


42



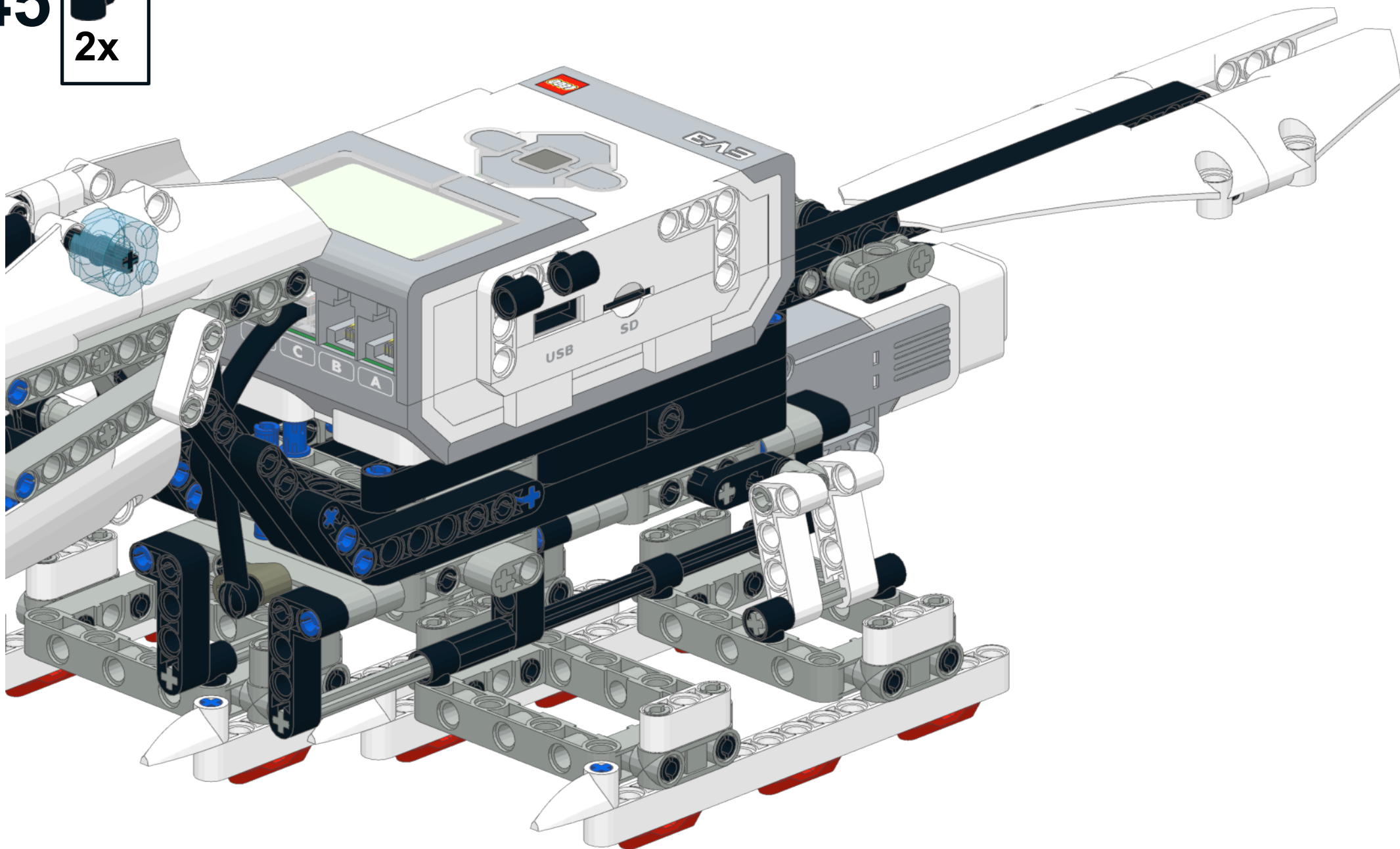
43







45

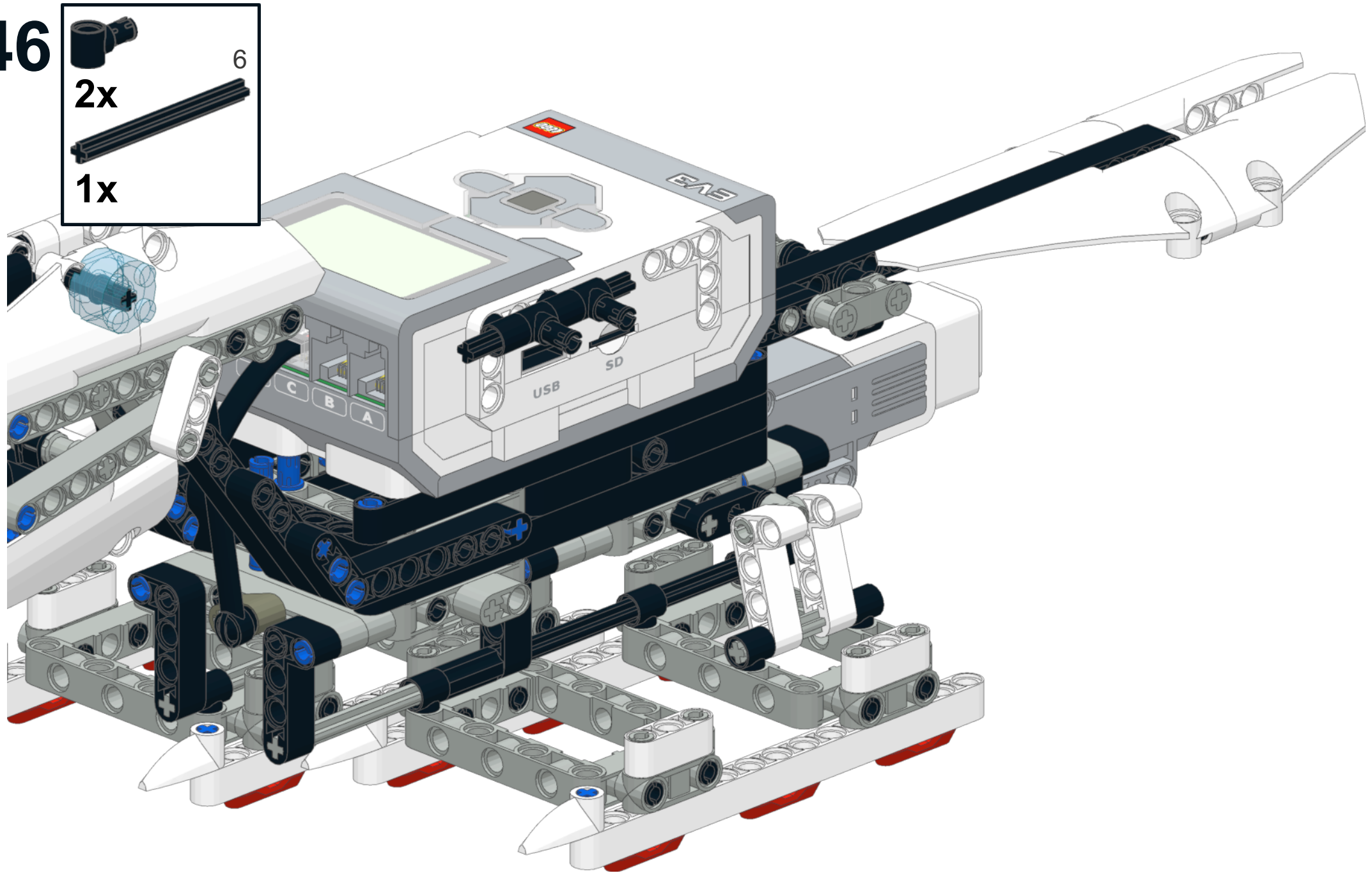
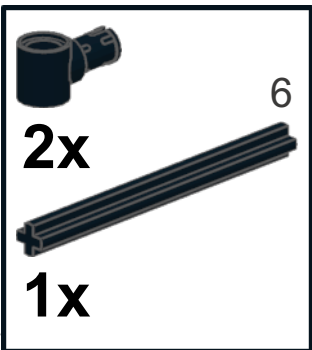


46



2x

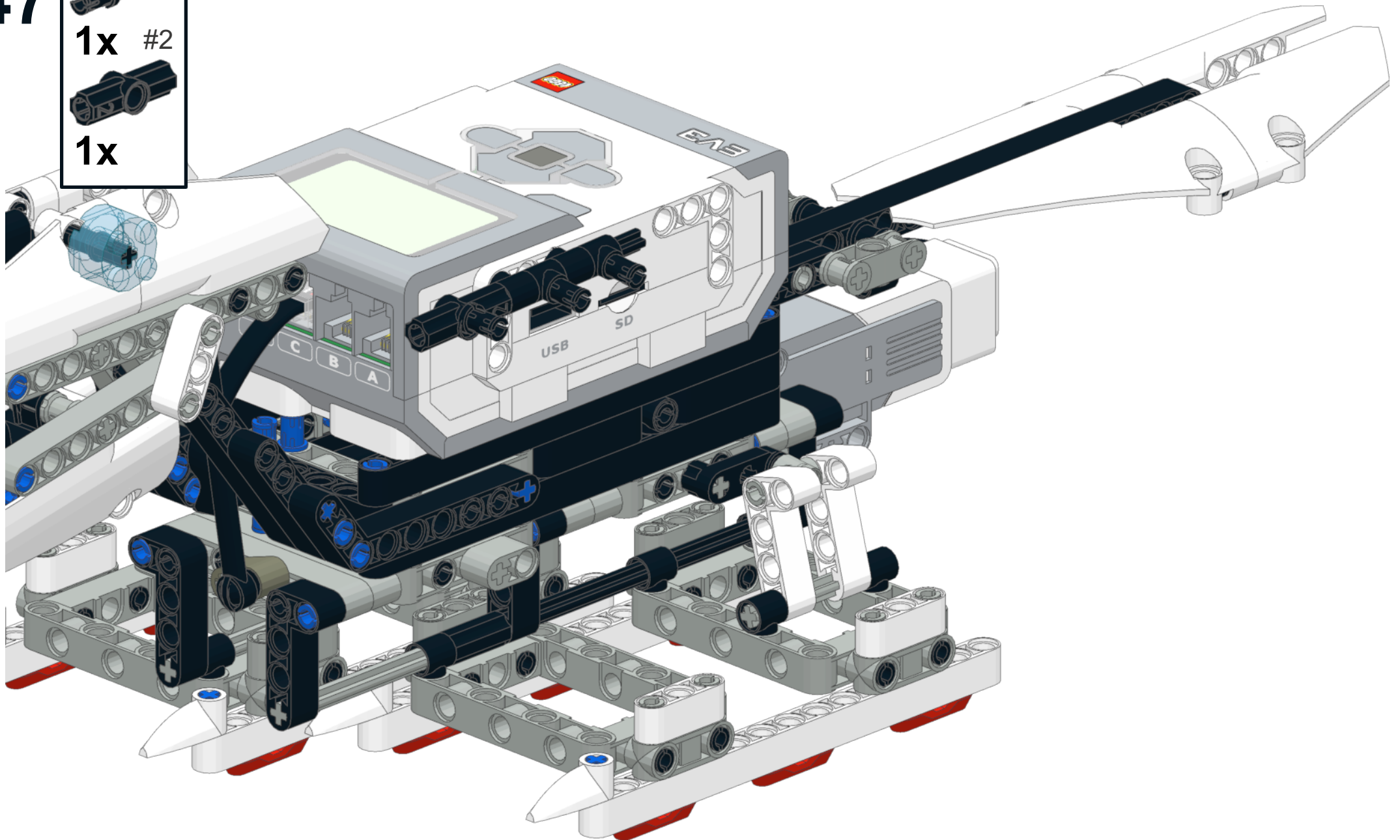
1x

6



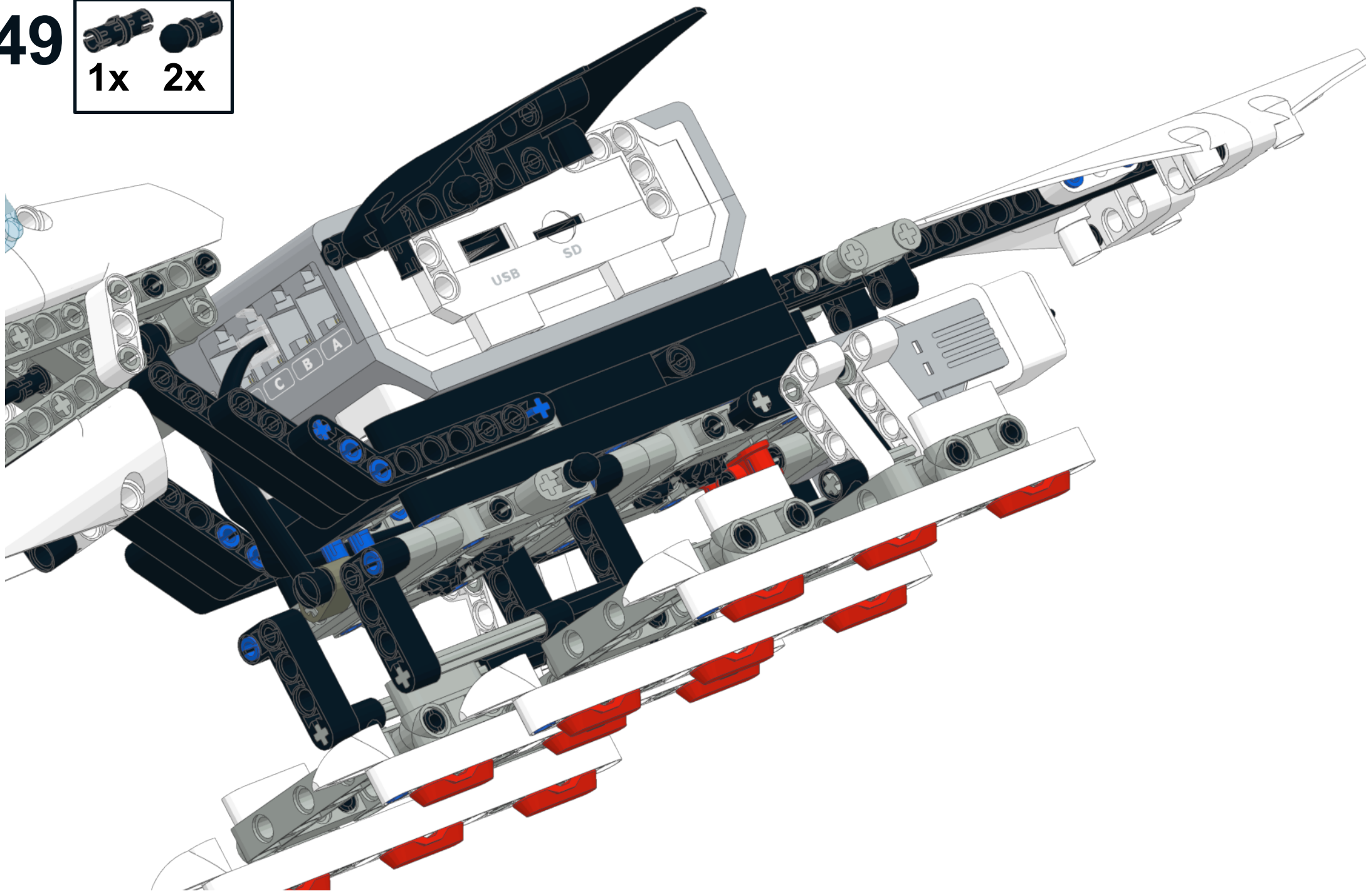
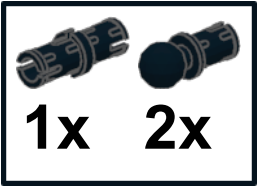
47

-  1x #2
-  1x

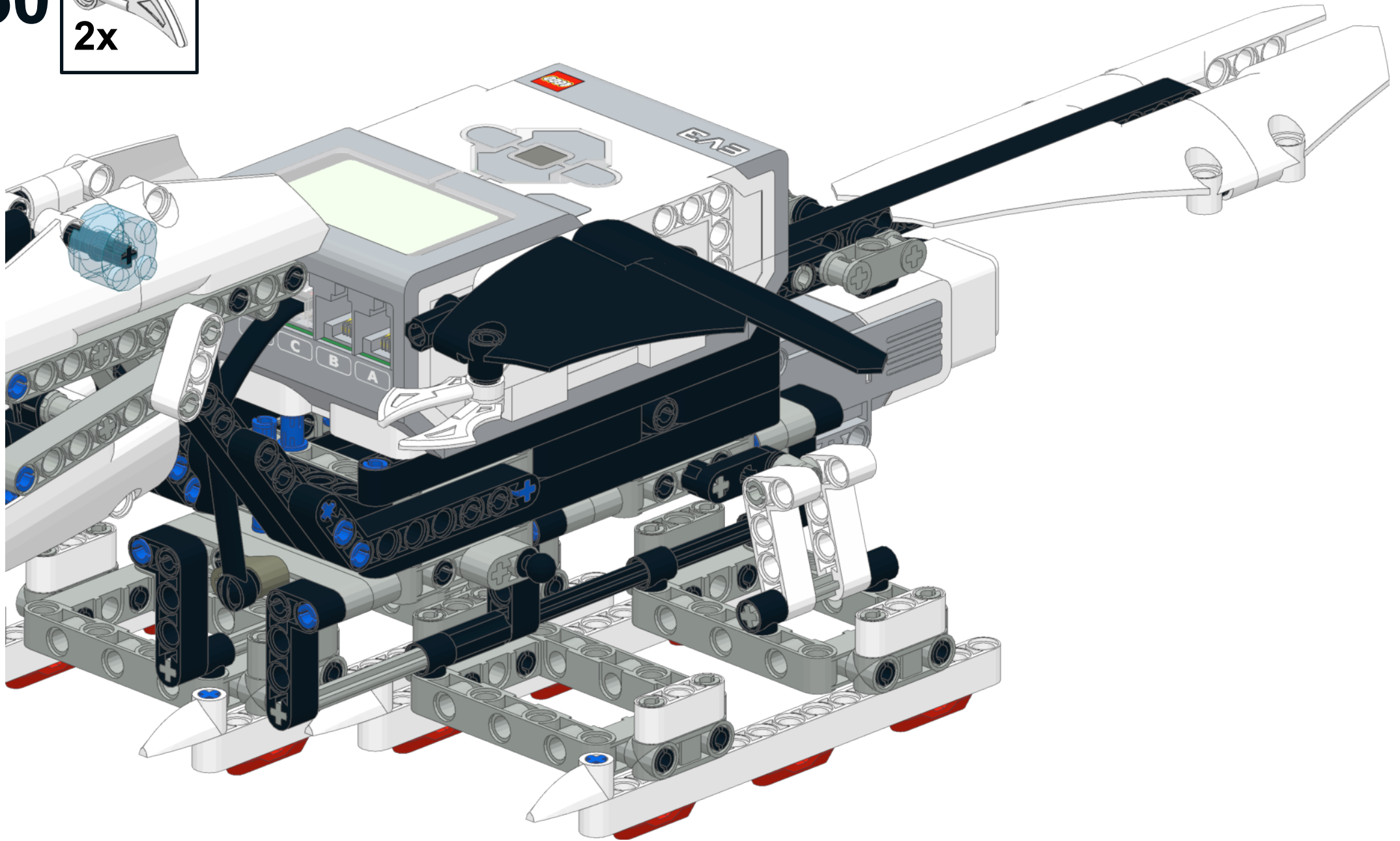




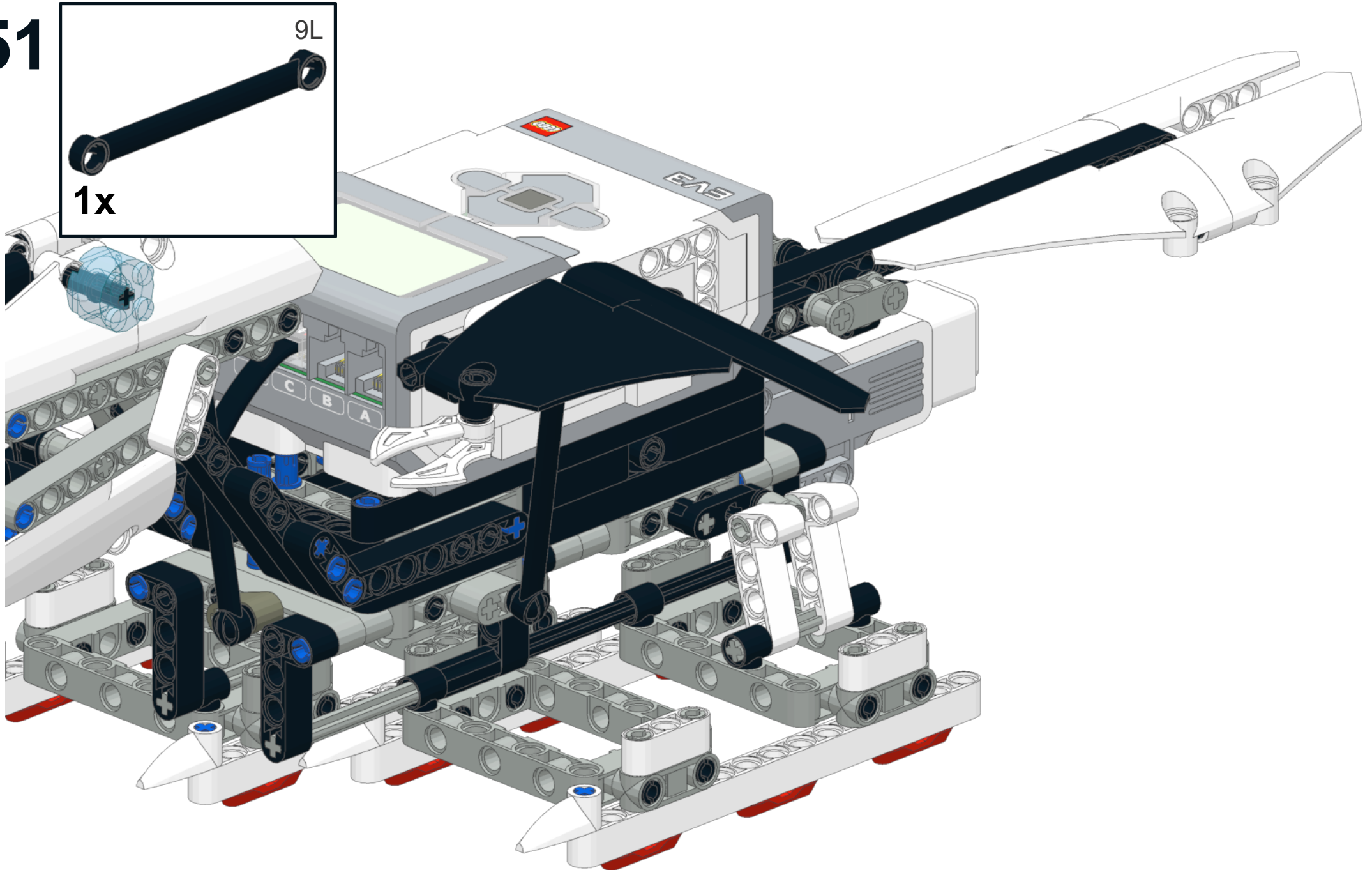
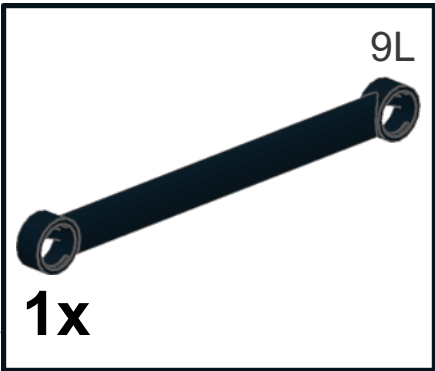
49



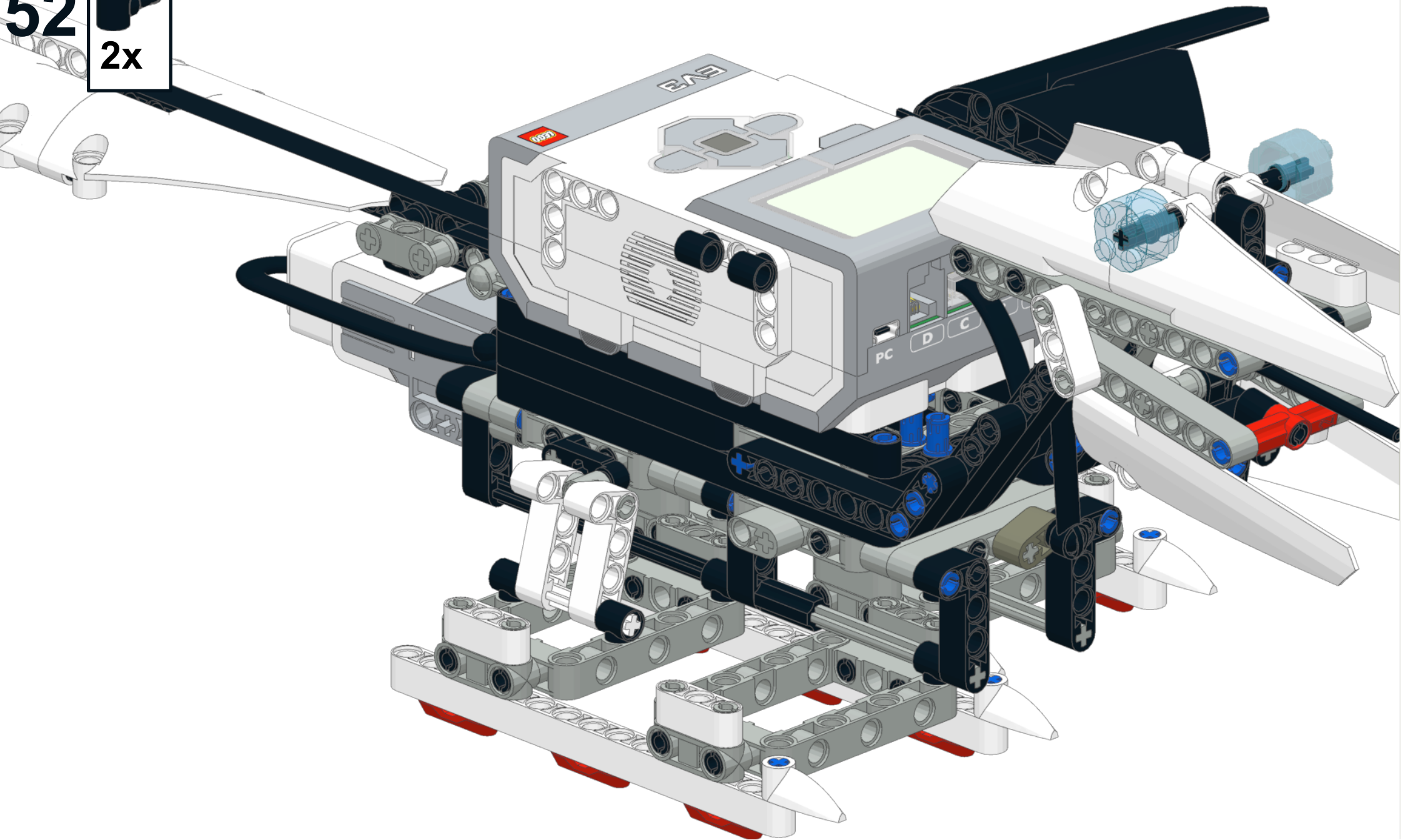
50



51

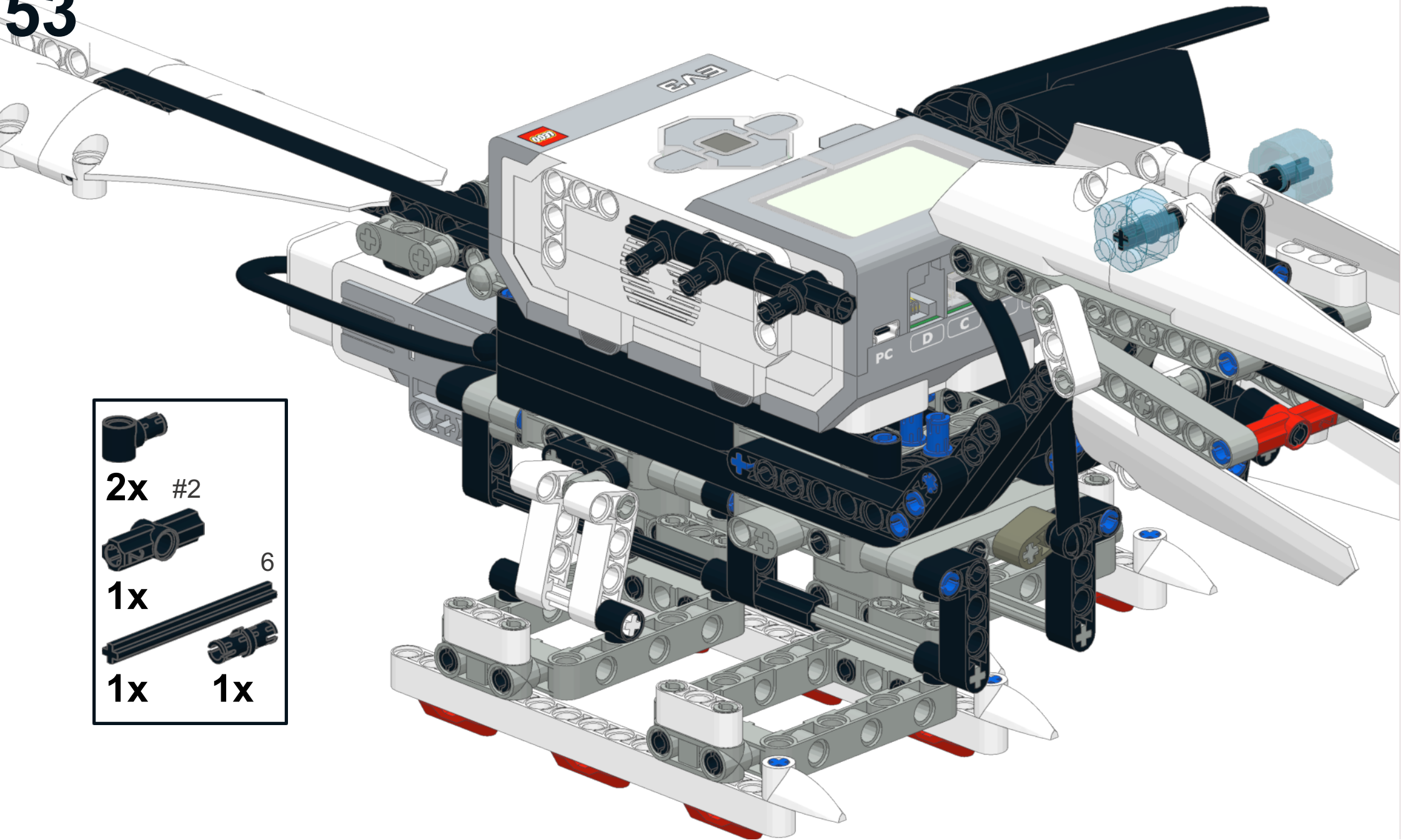






52



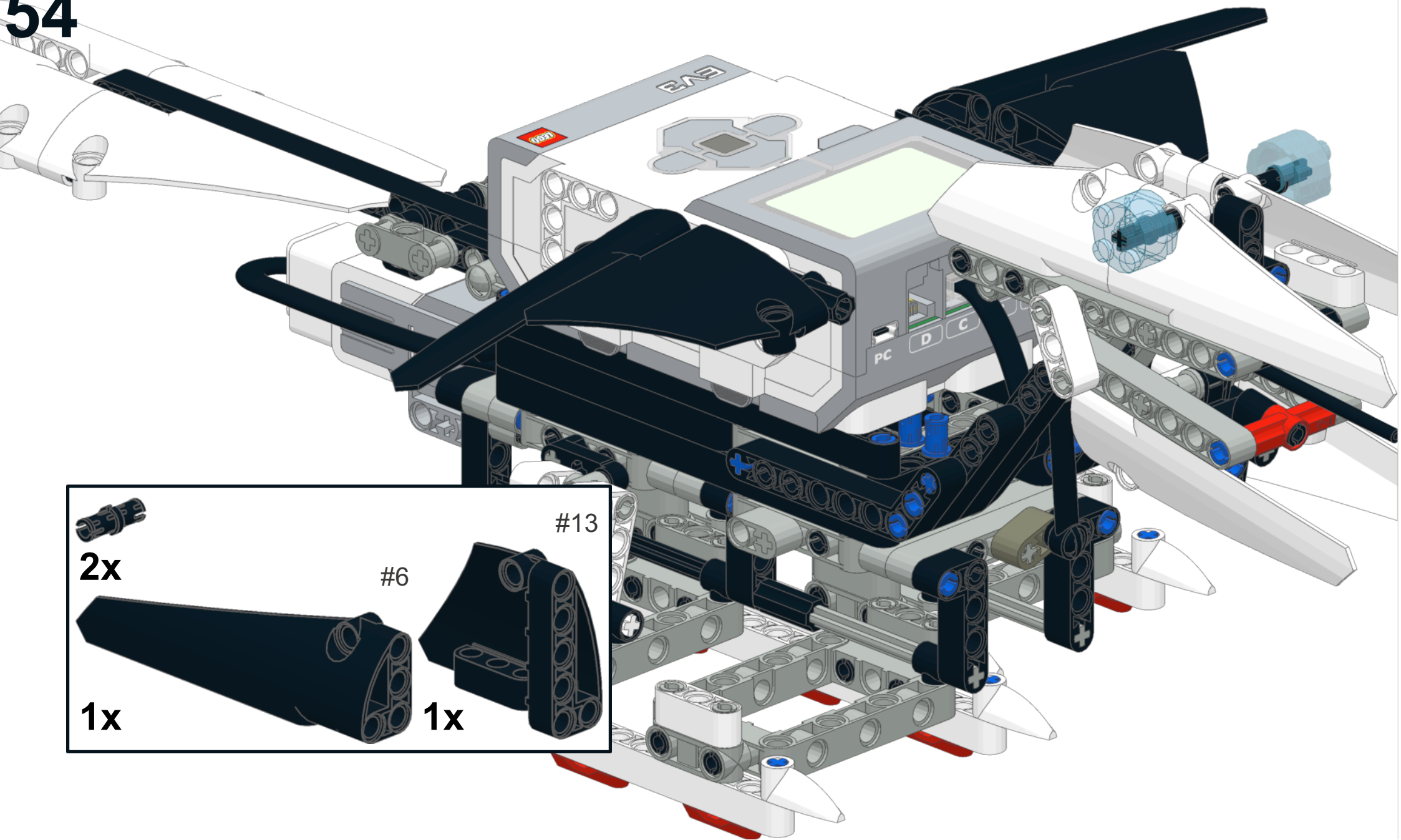


# 53

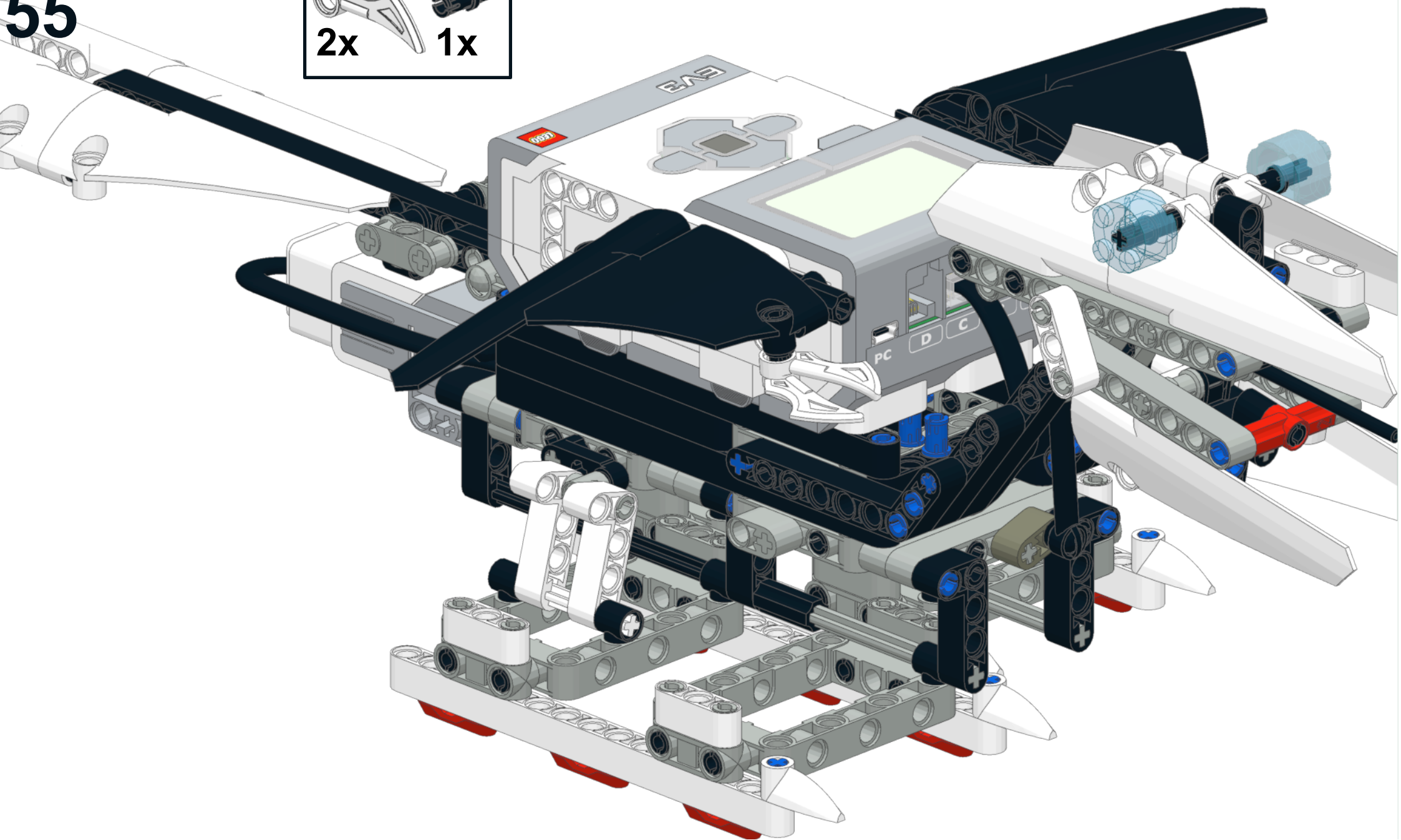
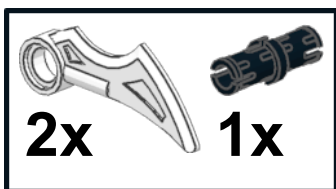


-  **2x** #2
-  **1x** 6
-  **1x**
-  **1x**

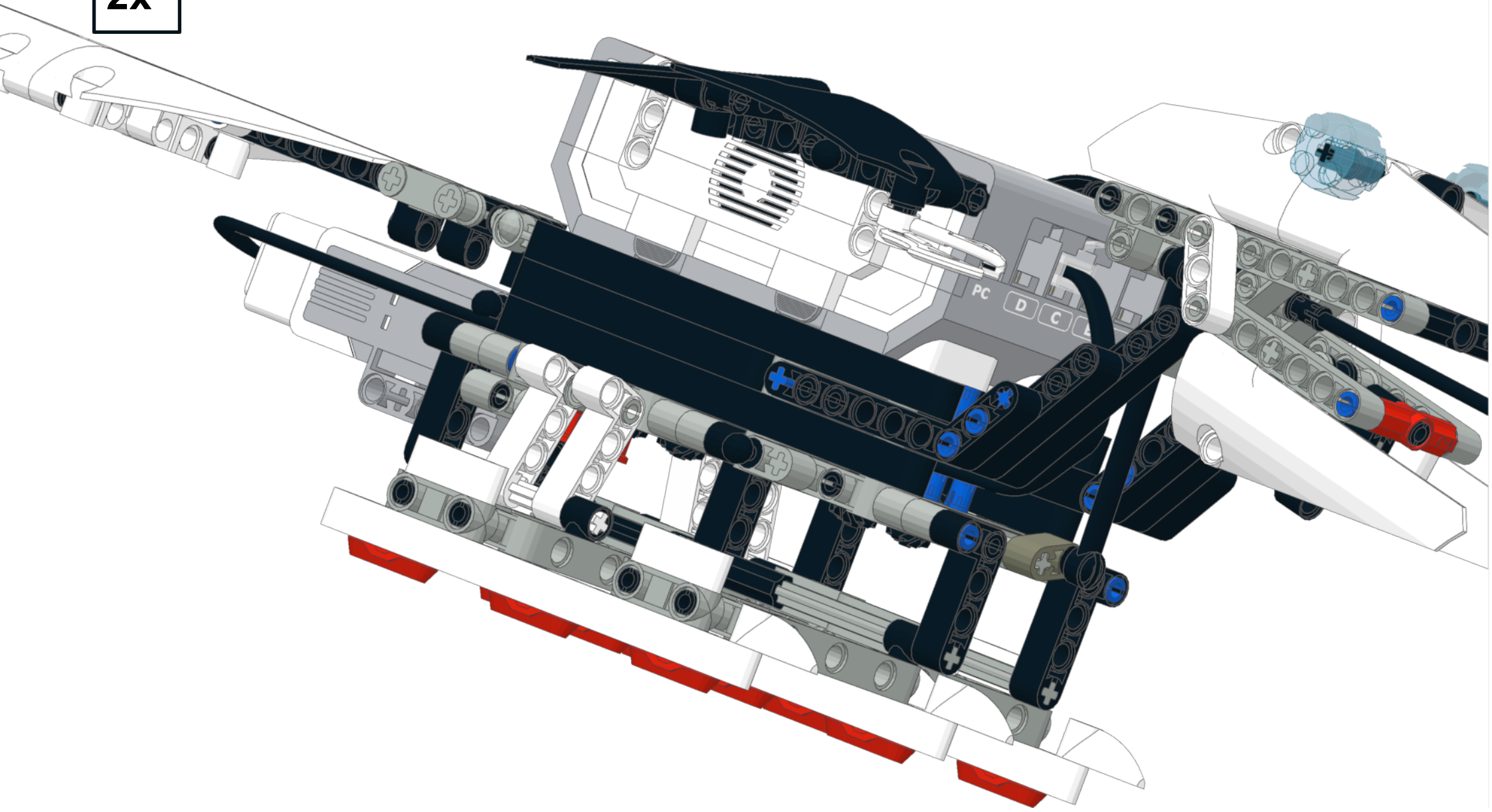
54



55



56



57

