

MIKE ROBOT

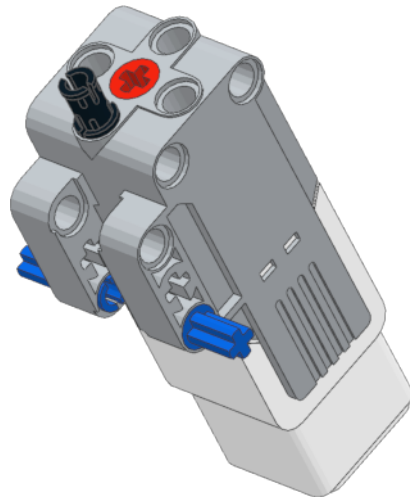
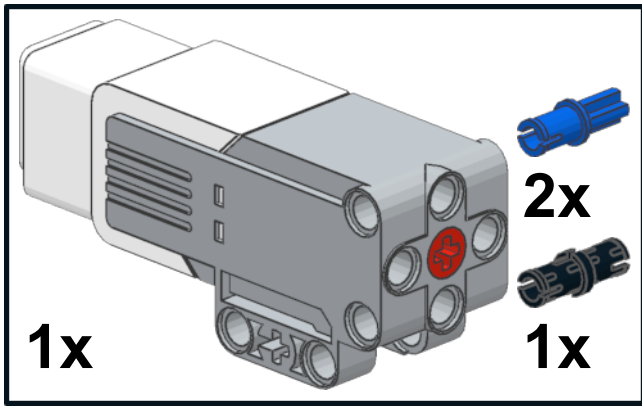
by Stu Nicholls

<http://www.stunicholls.com>


Simple biped walker using 3 medium motors



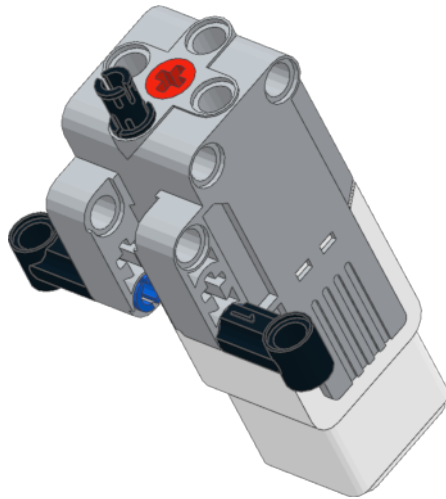
1

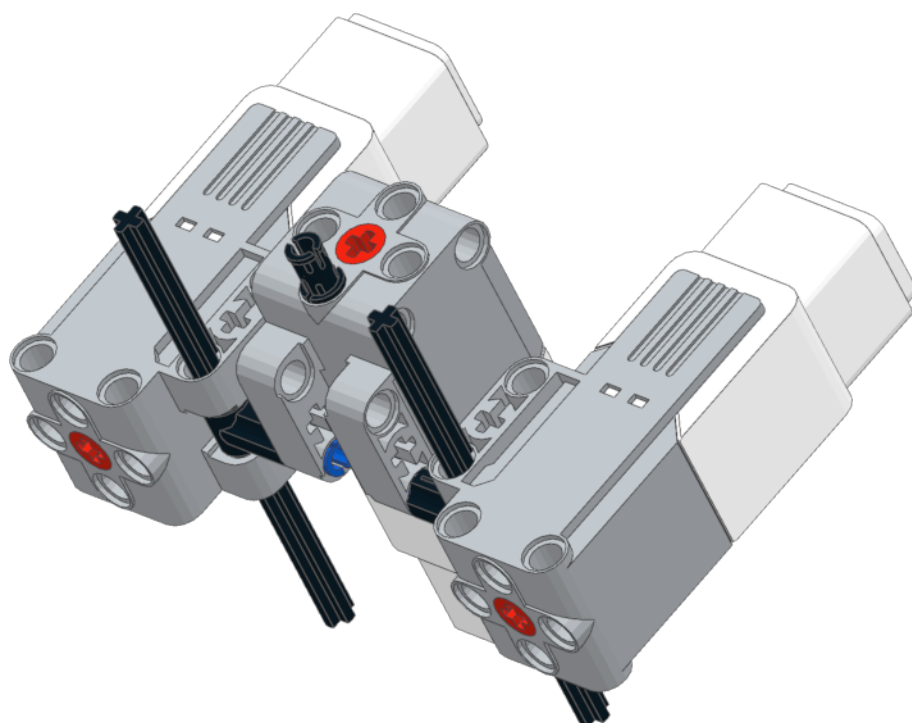
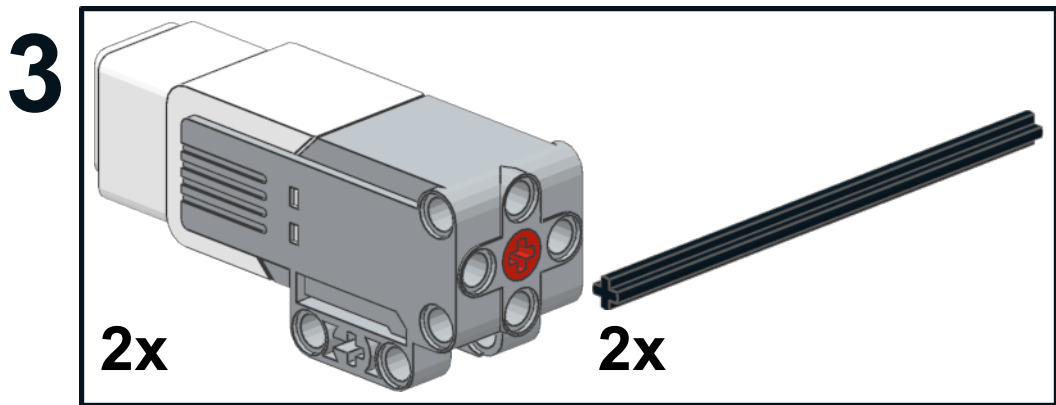


2

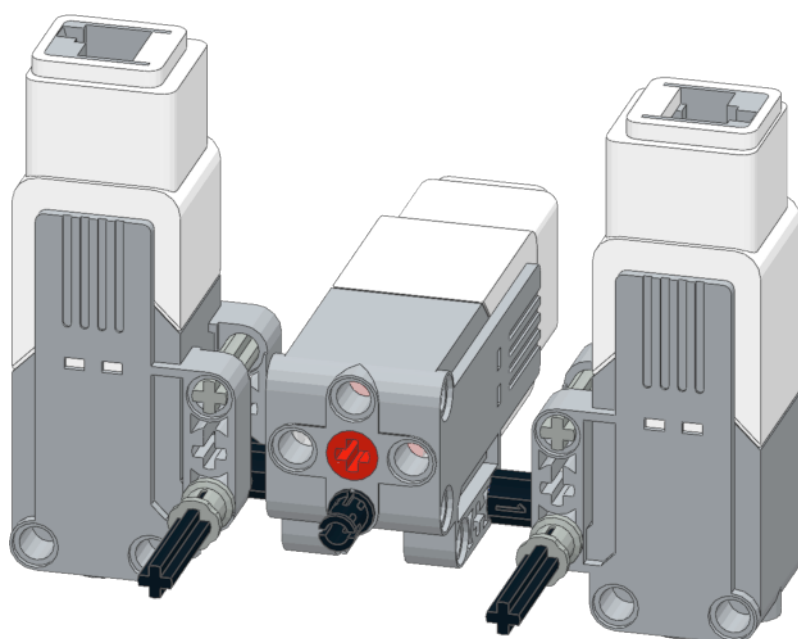
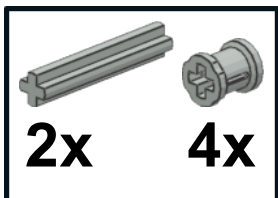


2x

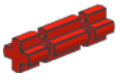




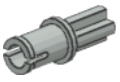
4



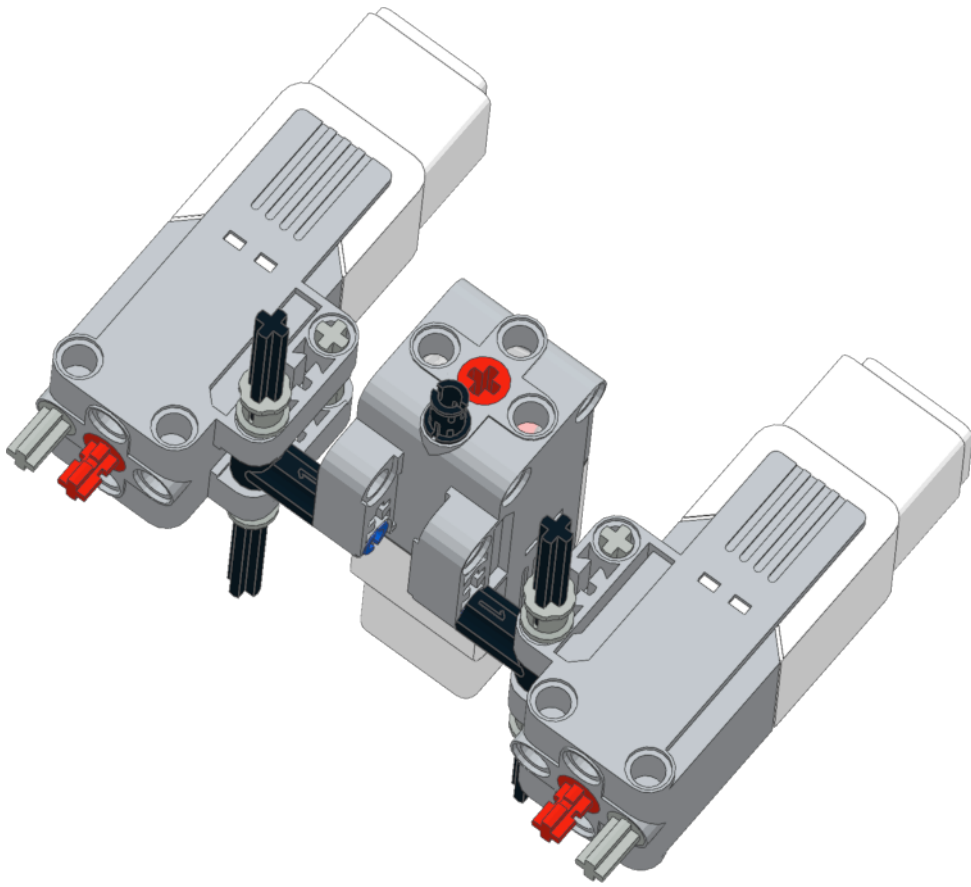
5



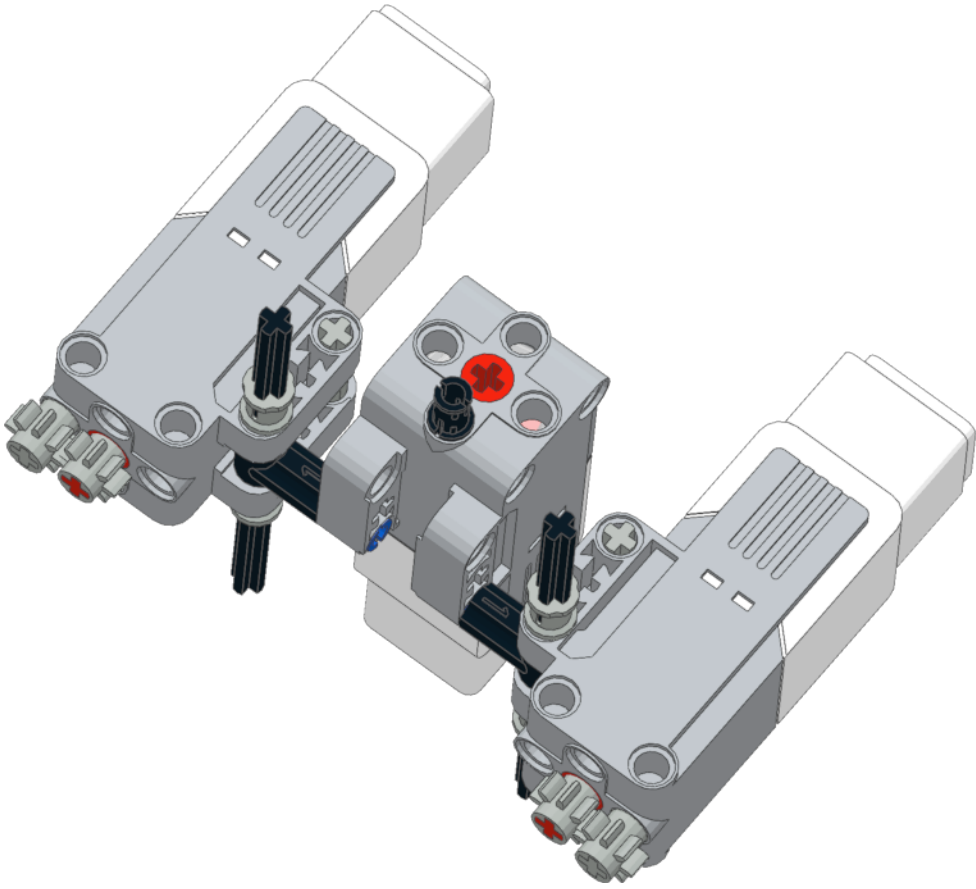
2x



2x



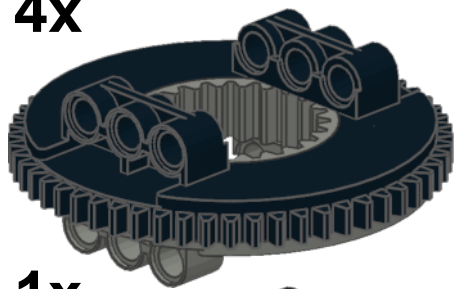
6
4x



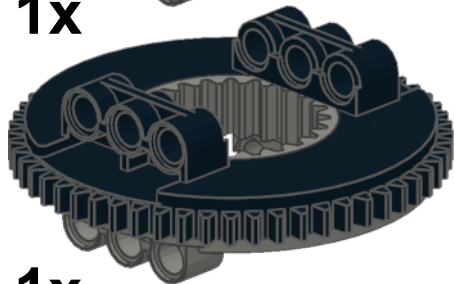
7



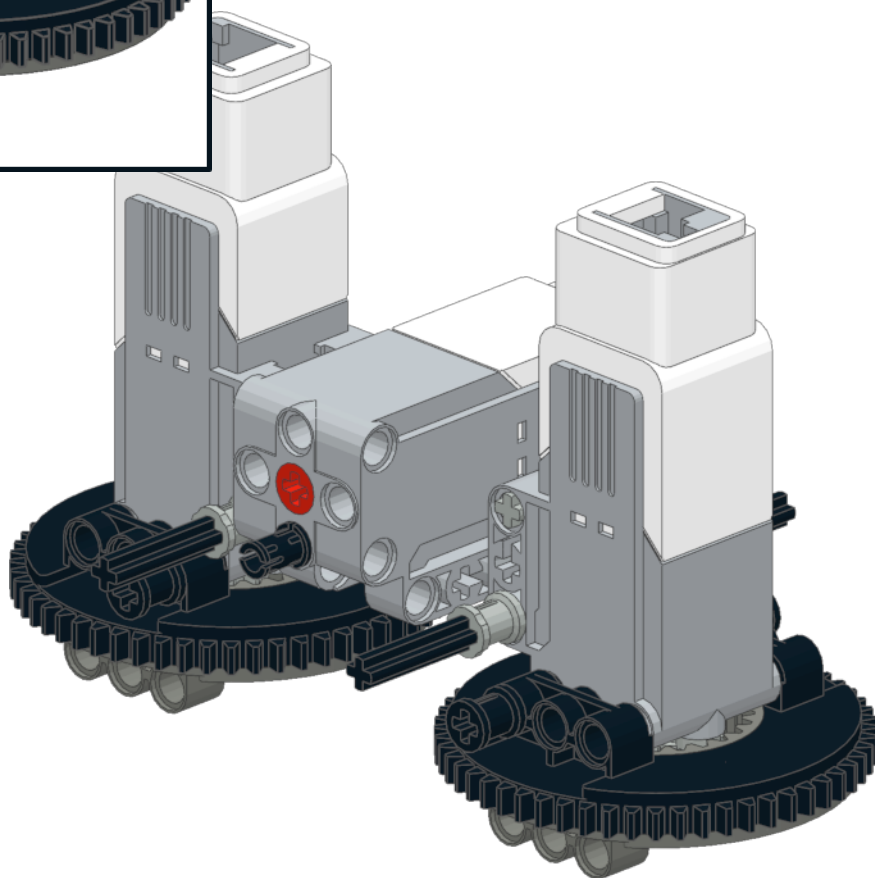
4x



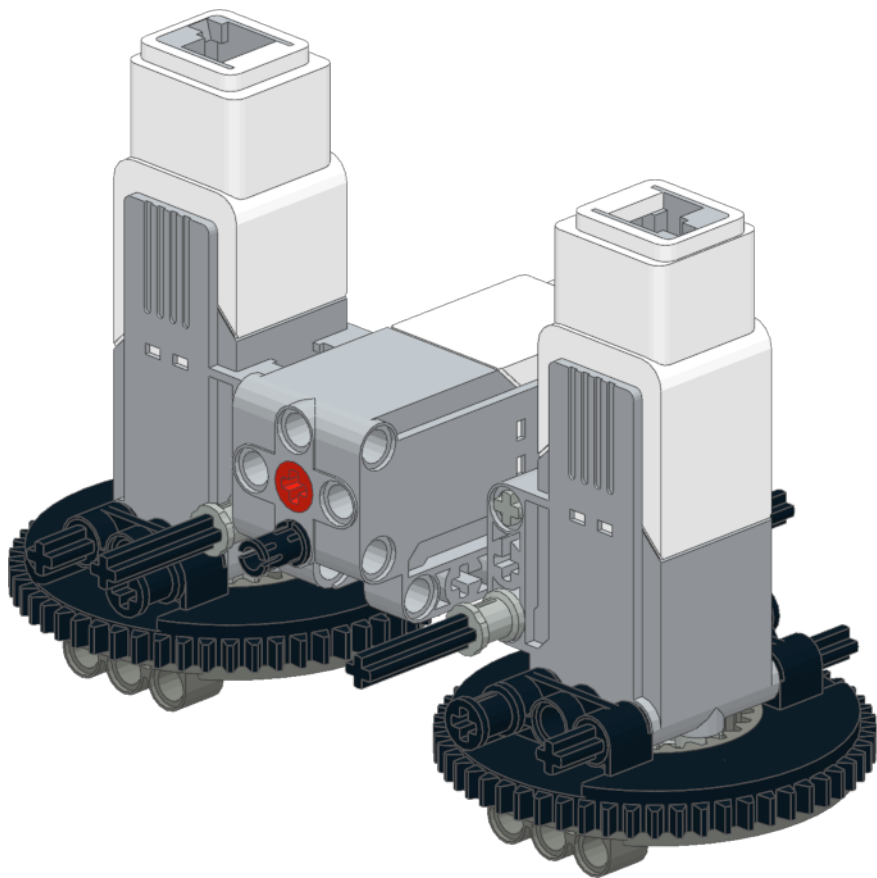
1x



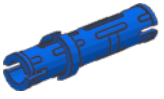
1x



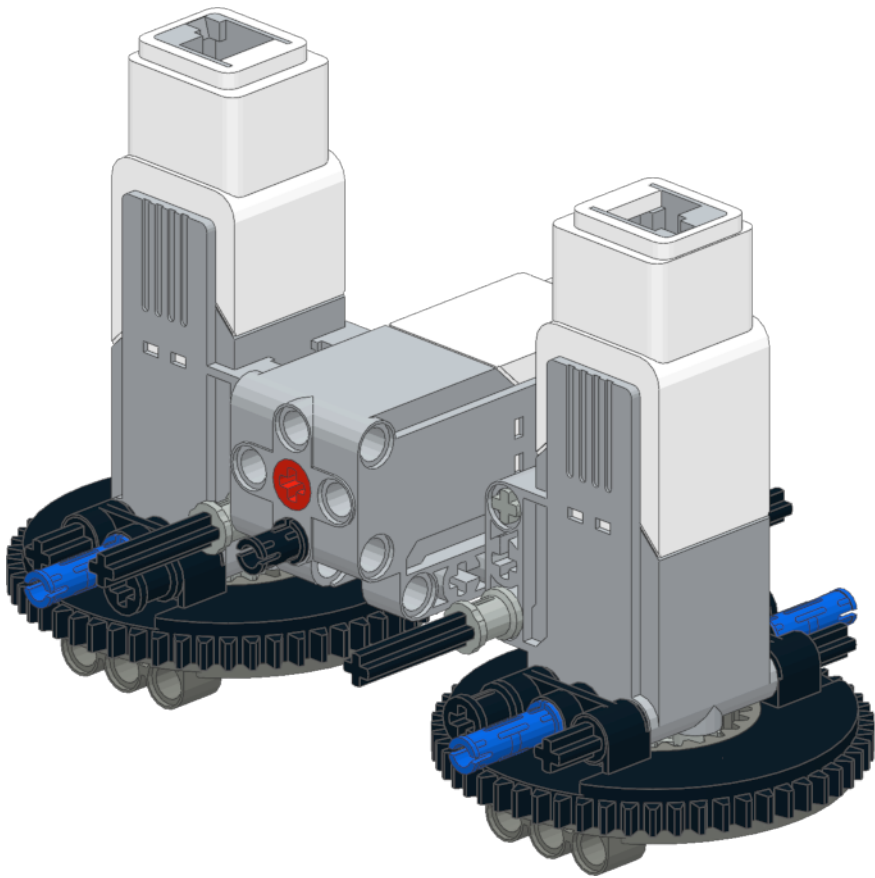
8
4x



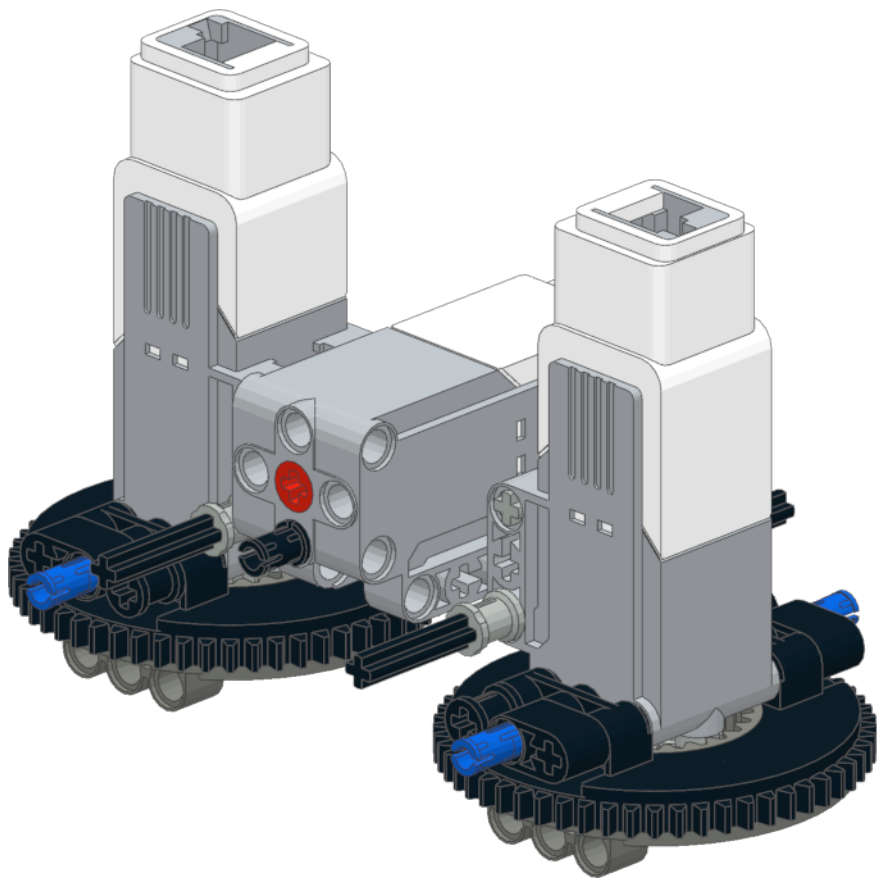
9



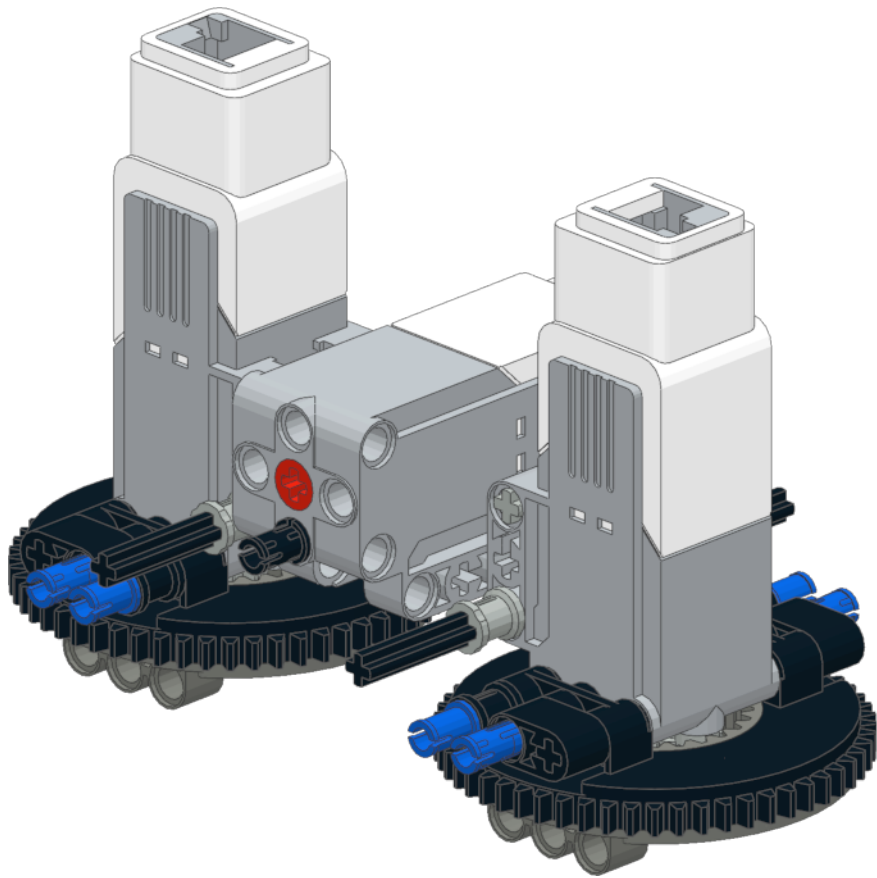
4x



10



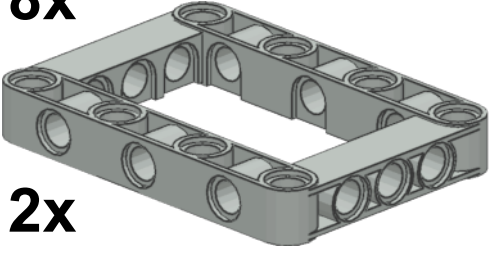
11



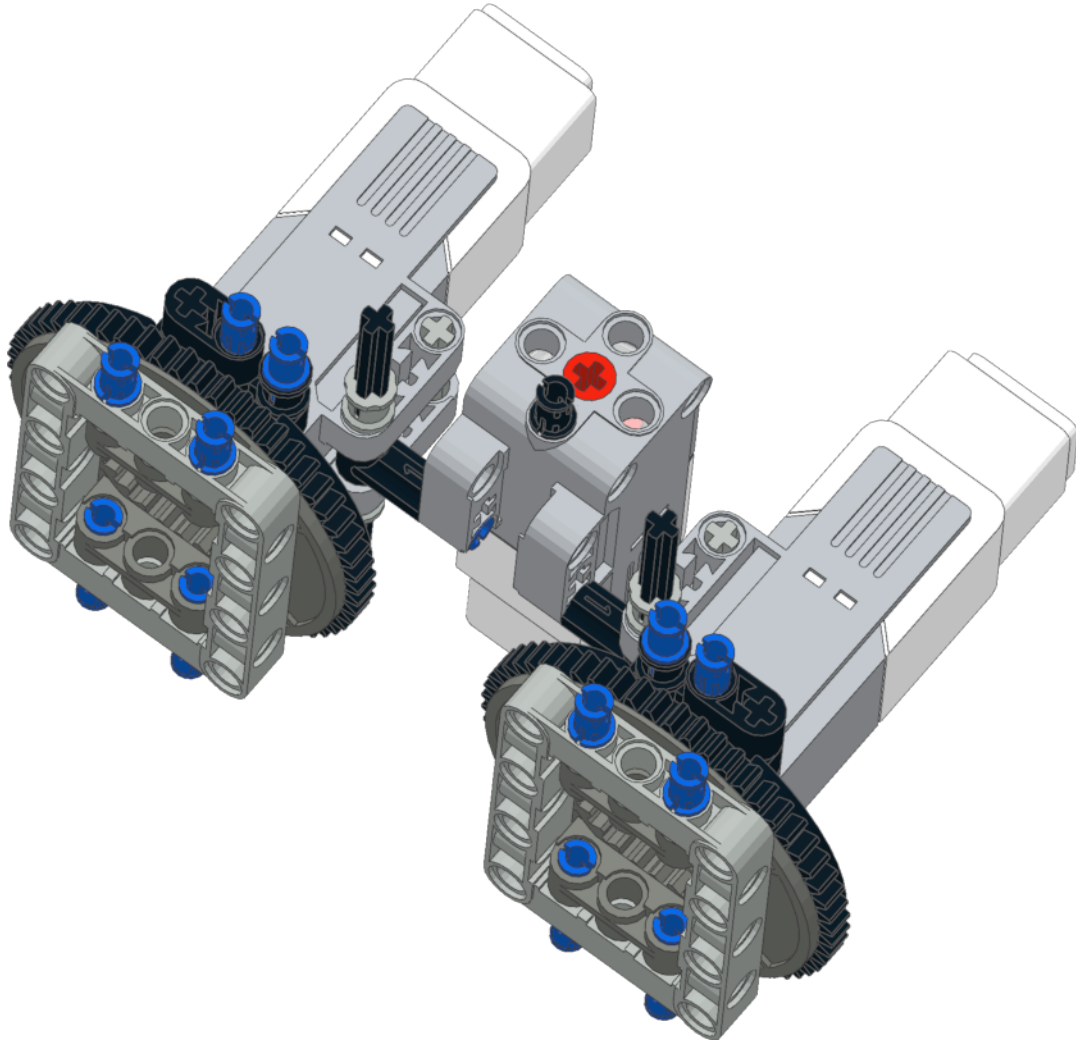
12



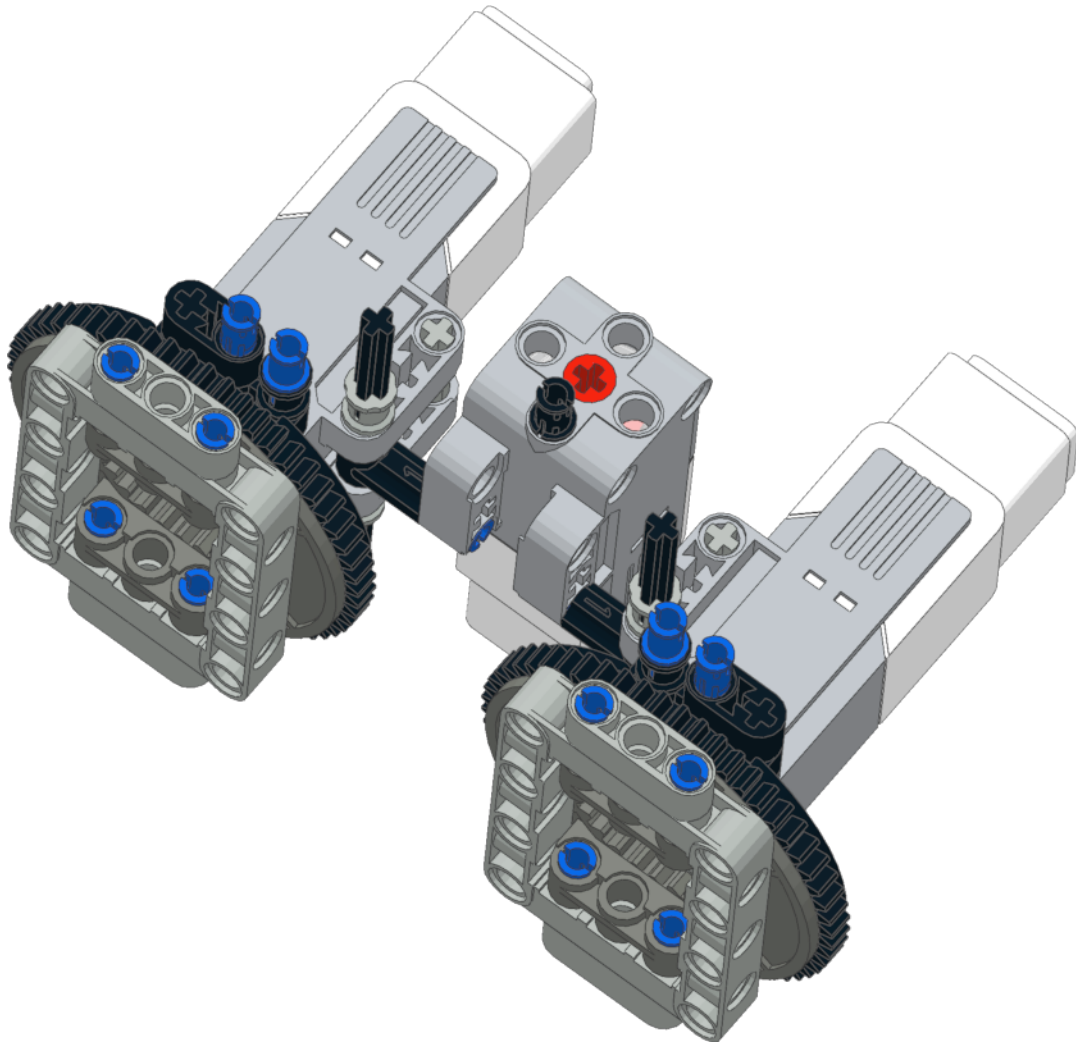
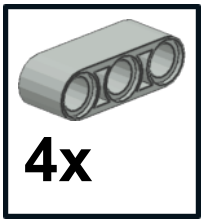
8x



2x



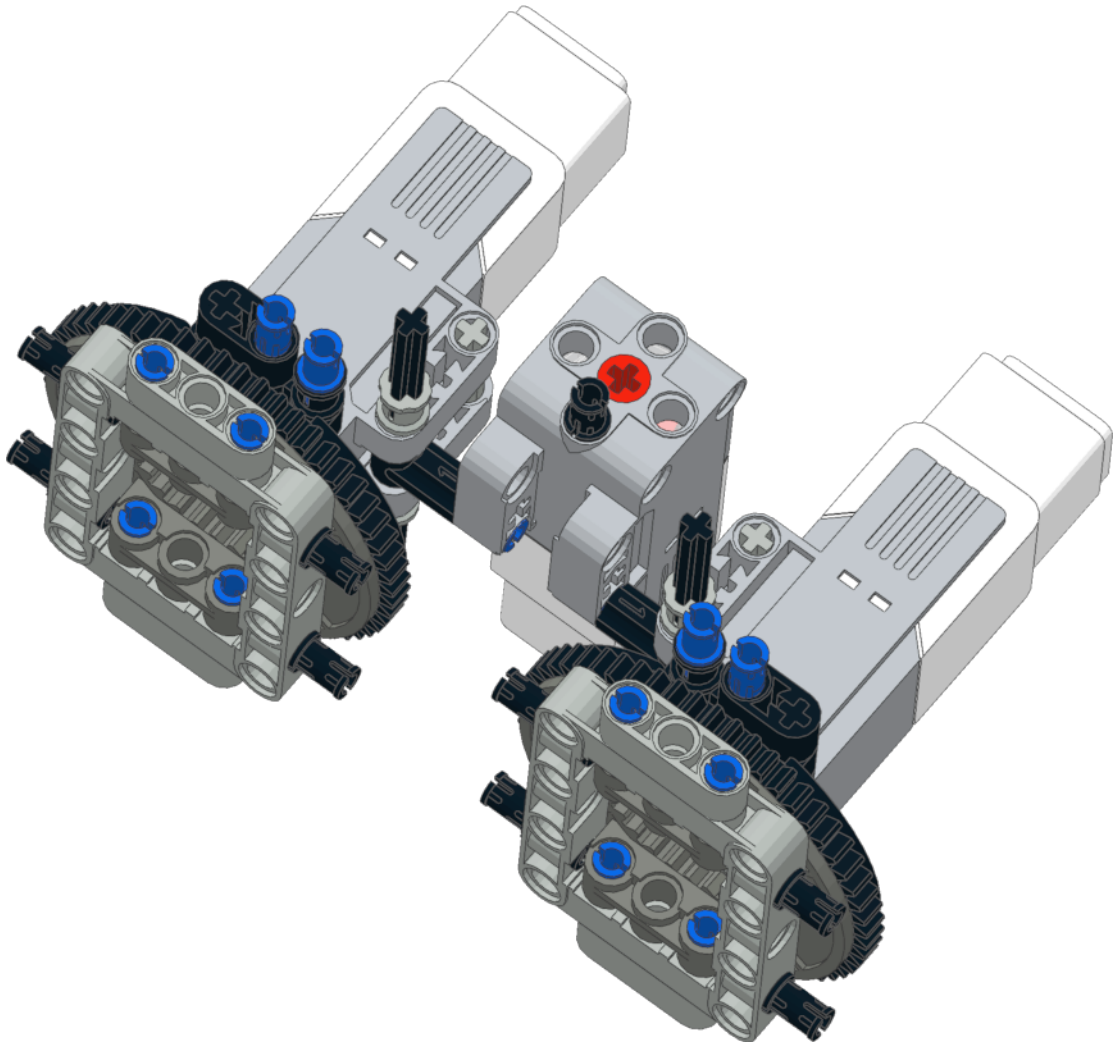
13



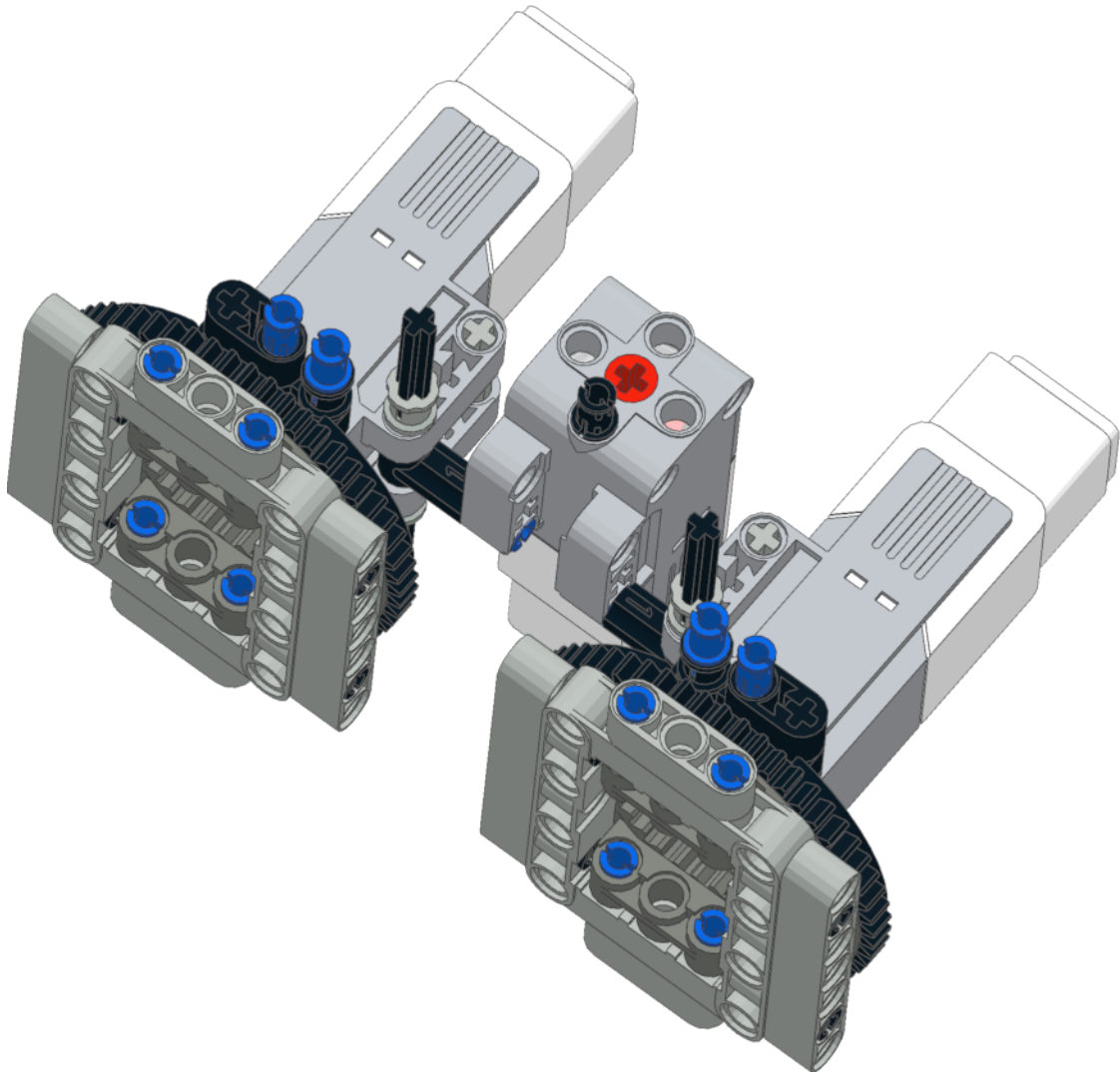
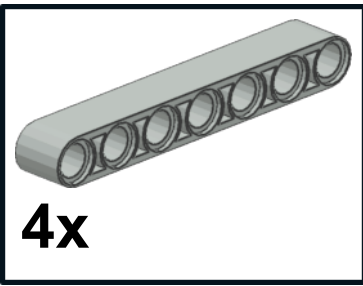
14



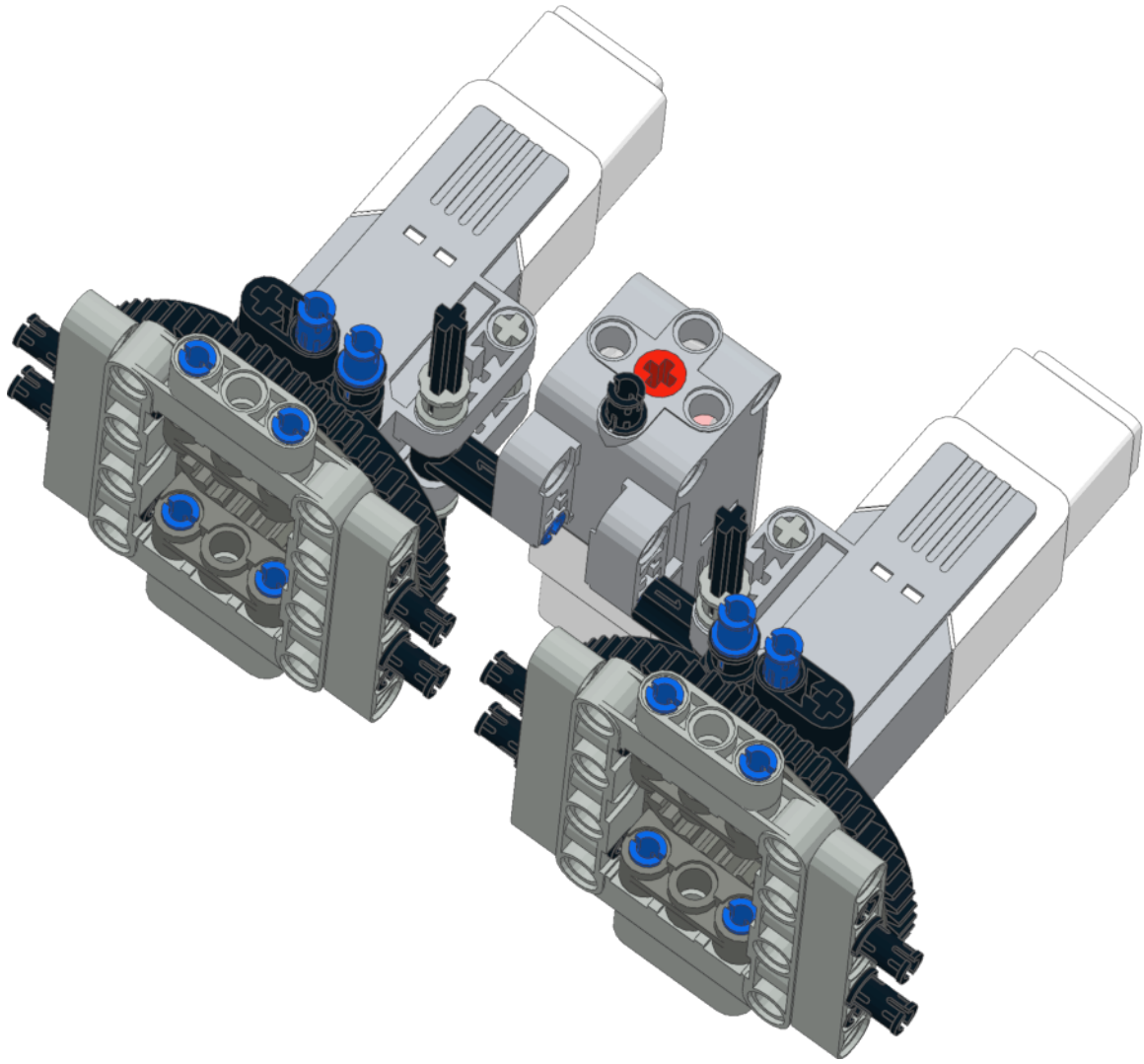
8x



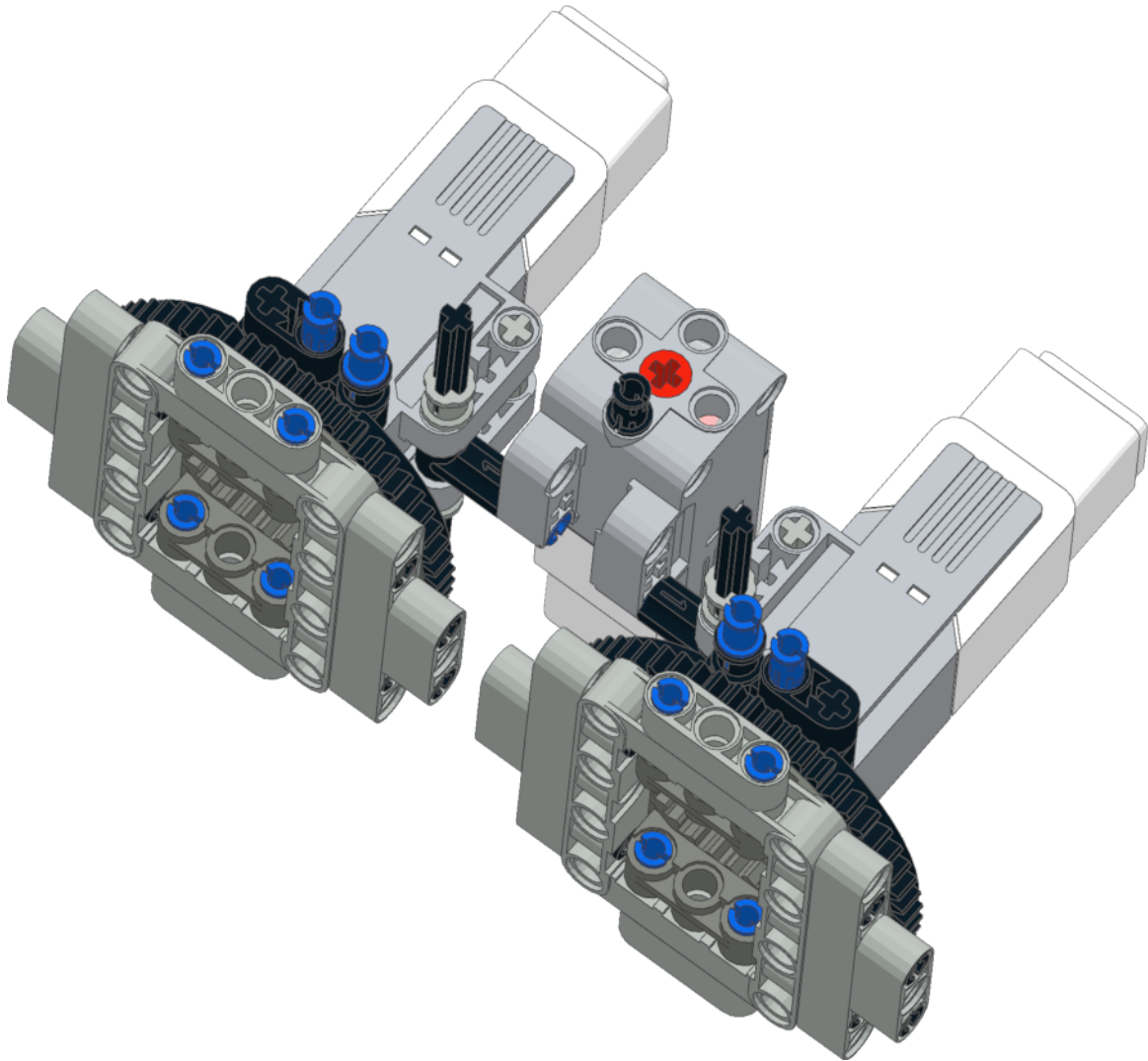
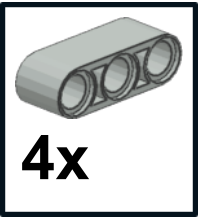
15



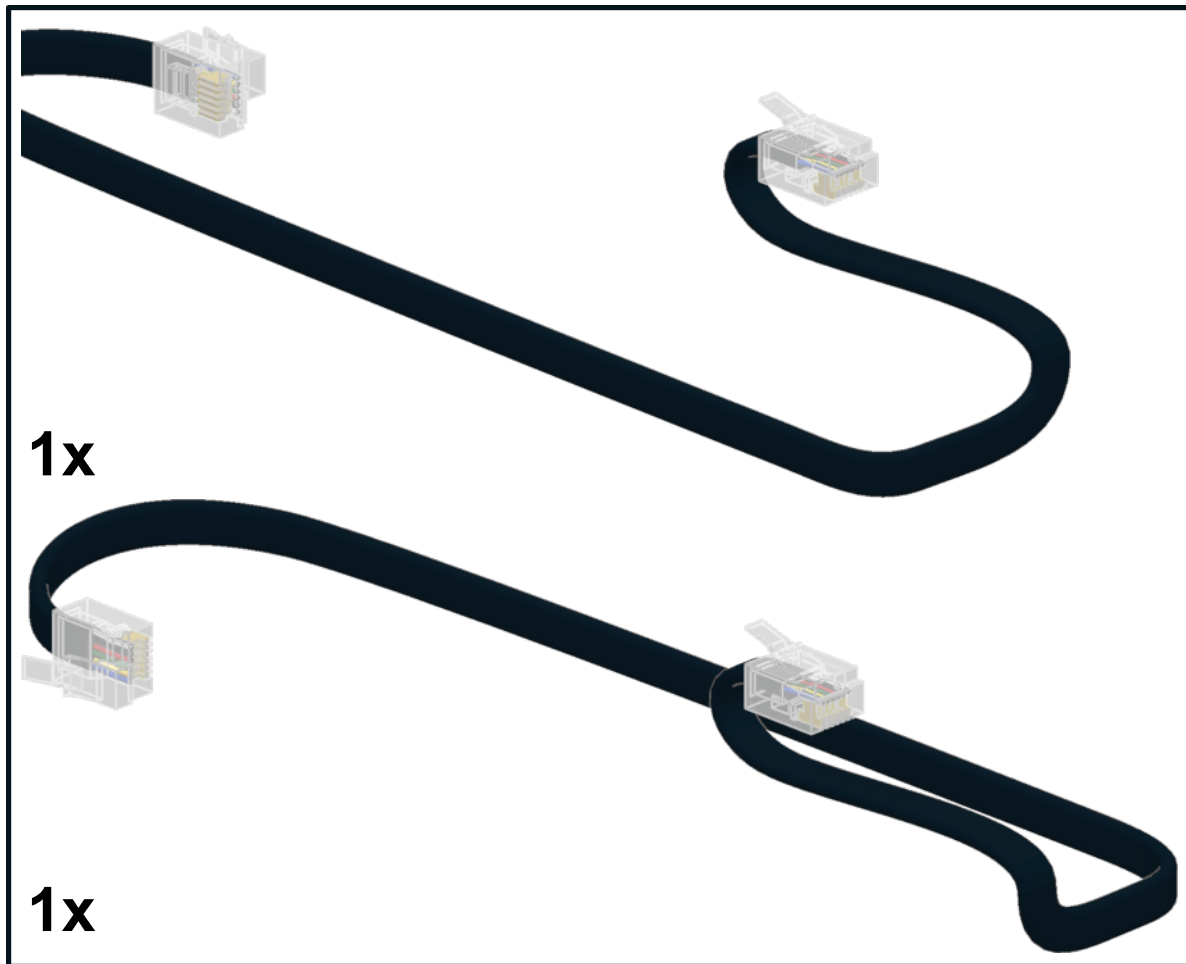
16



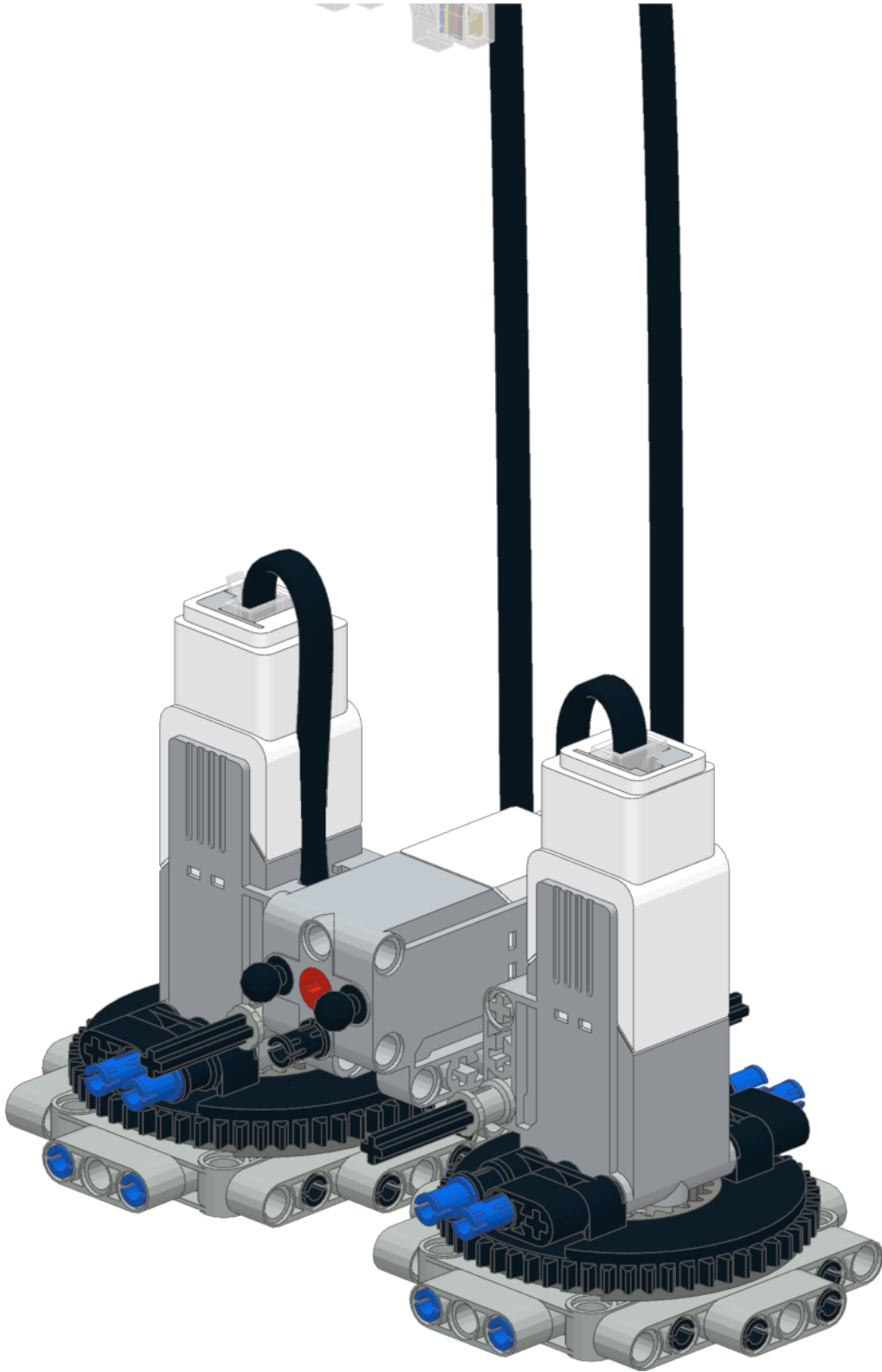
17



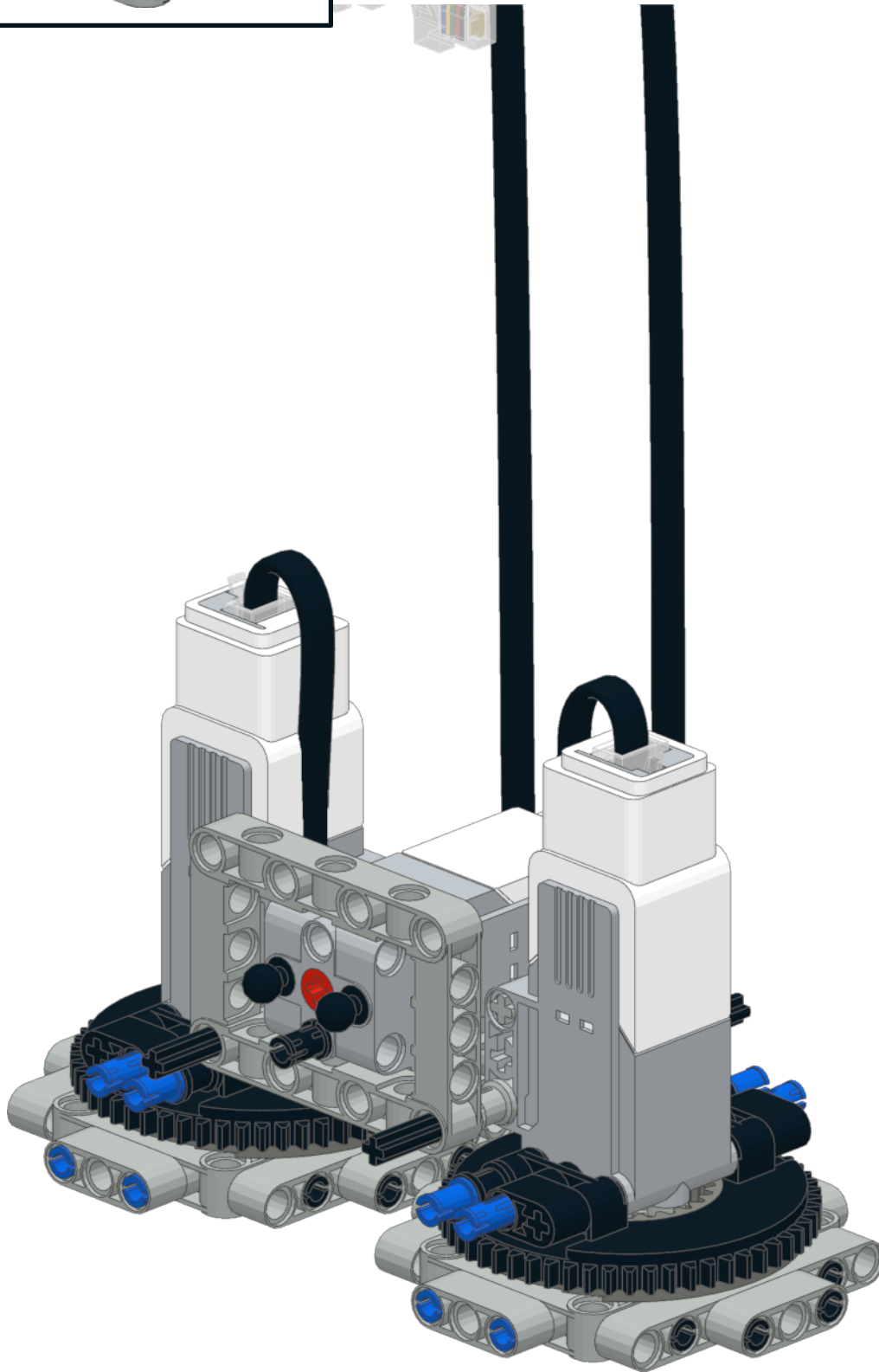
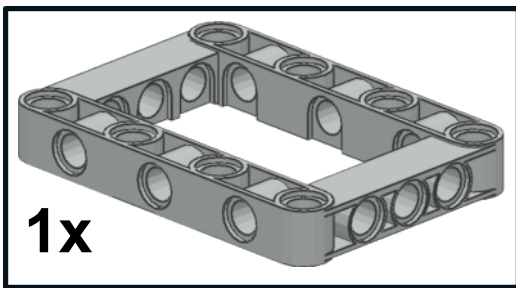
18



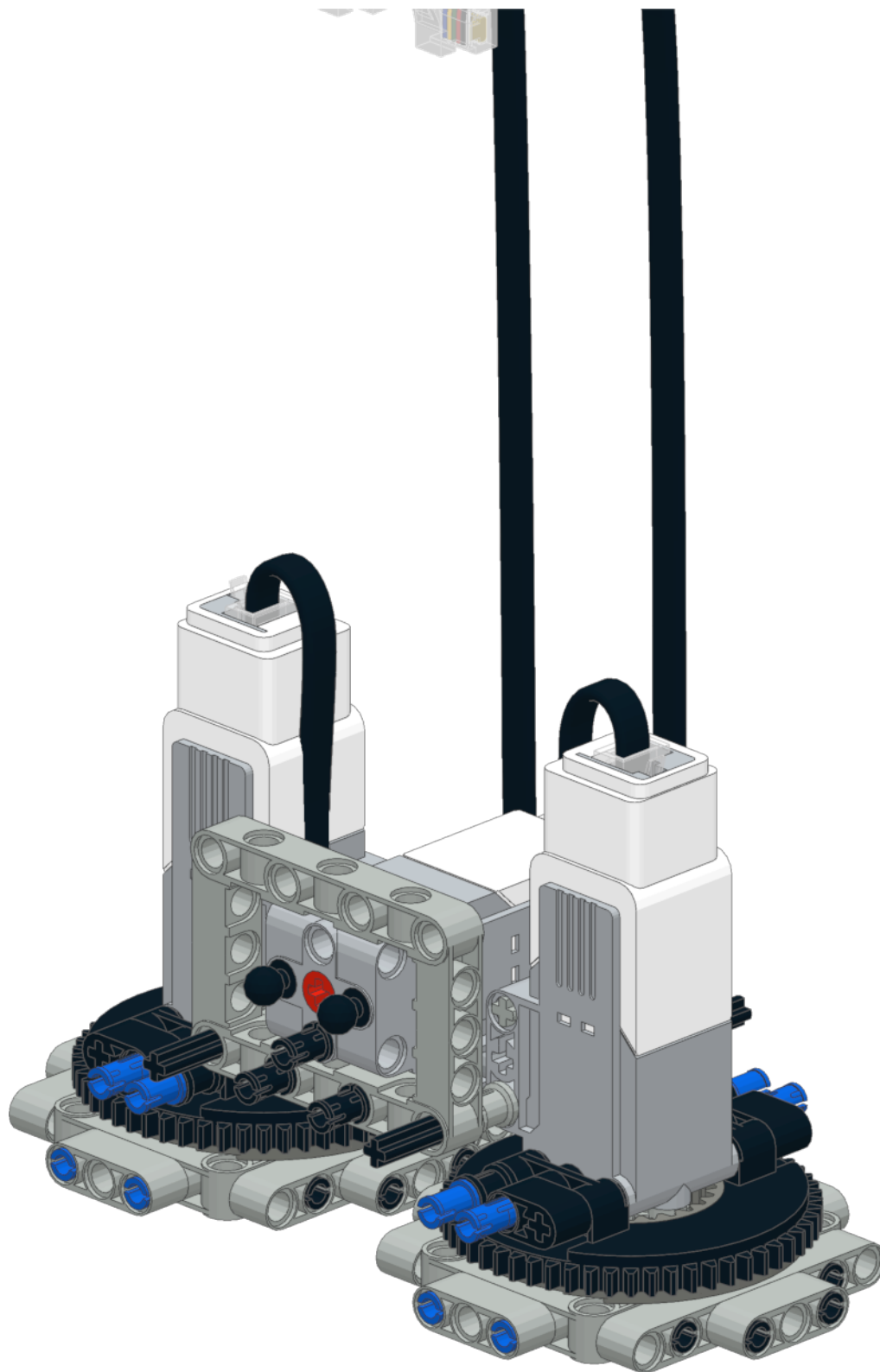
19



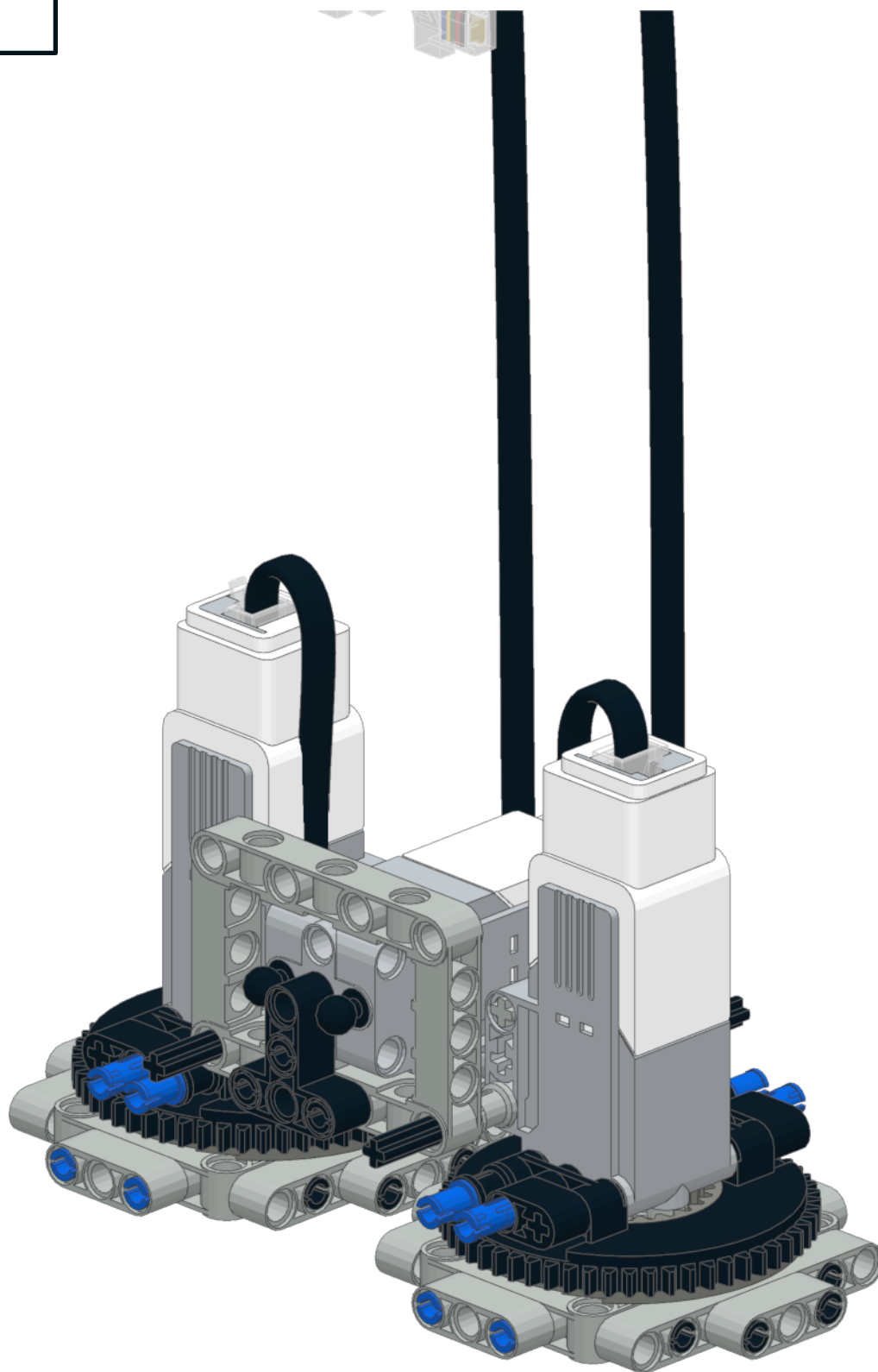
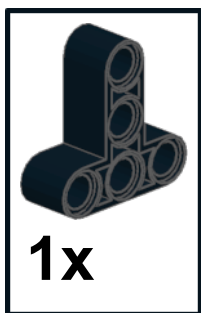
20



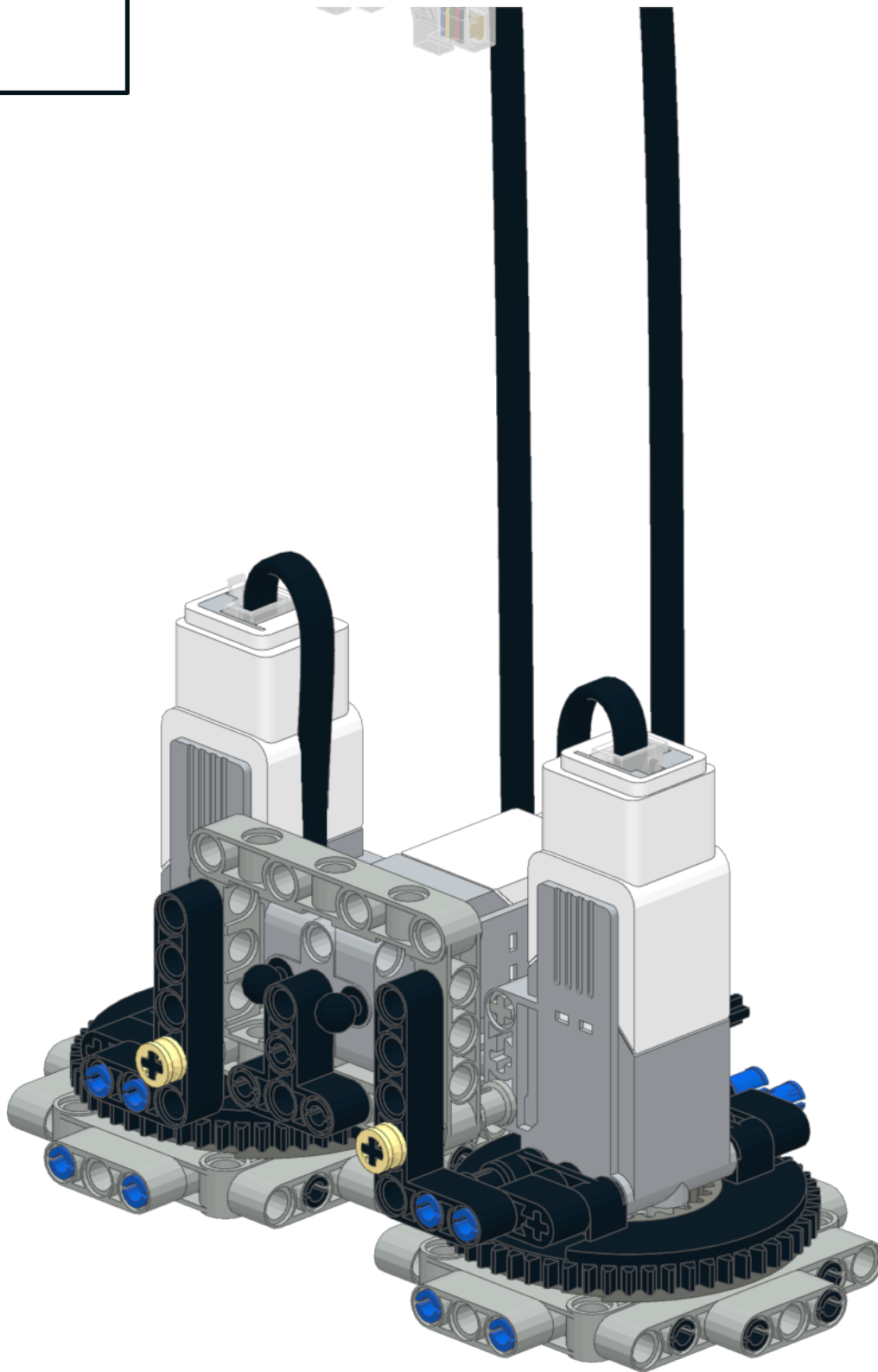
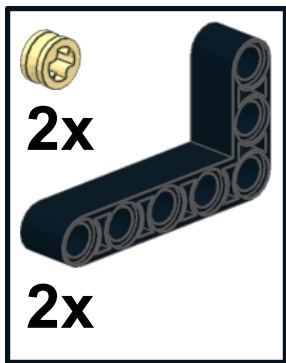
21



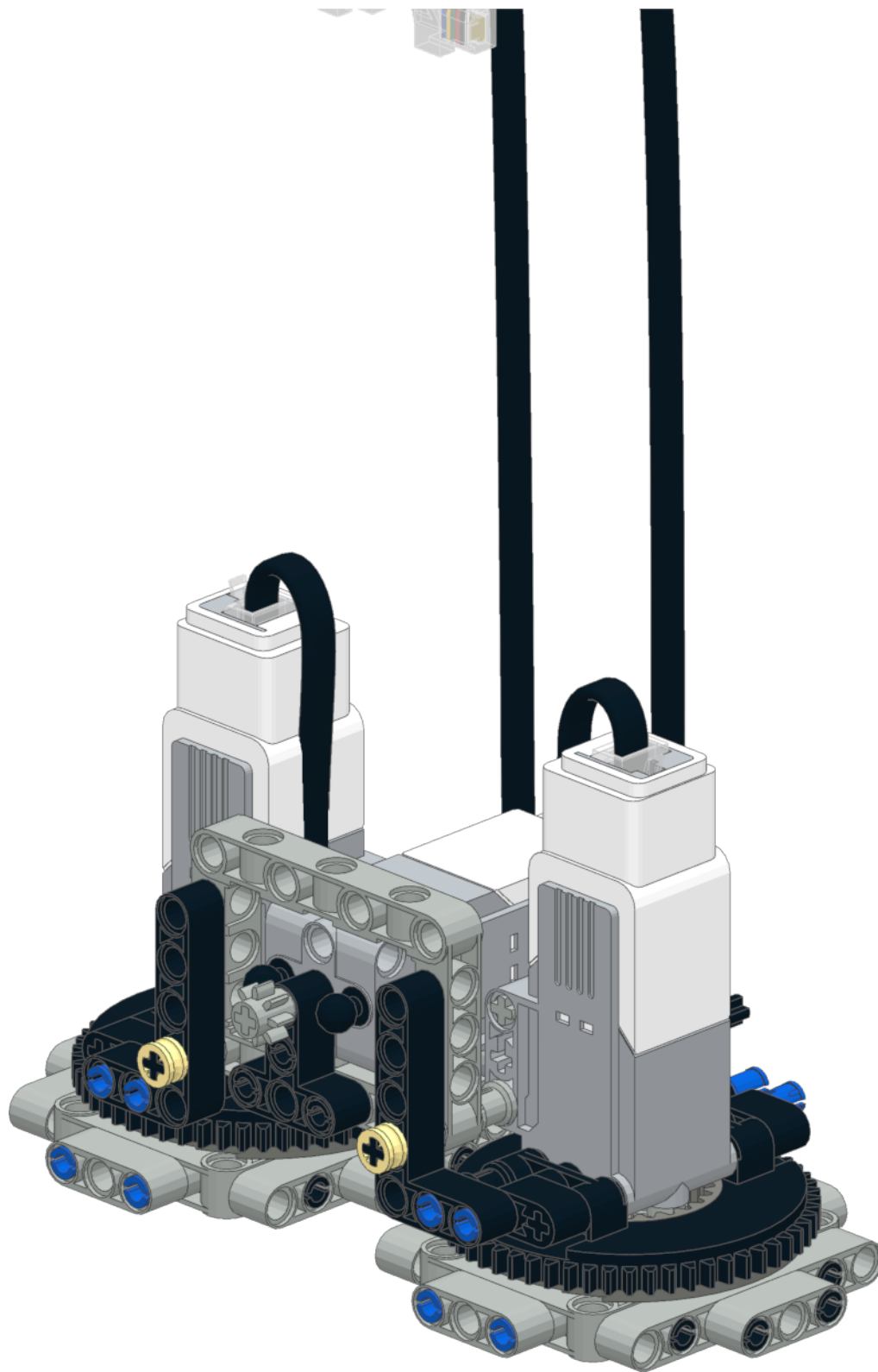
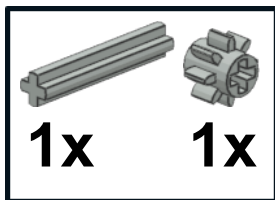
22



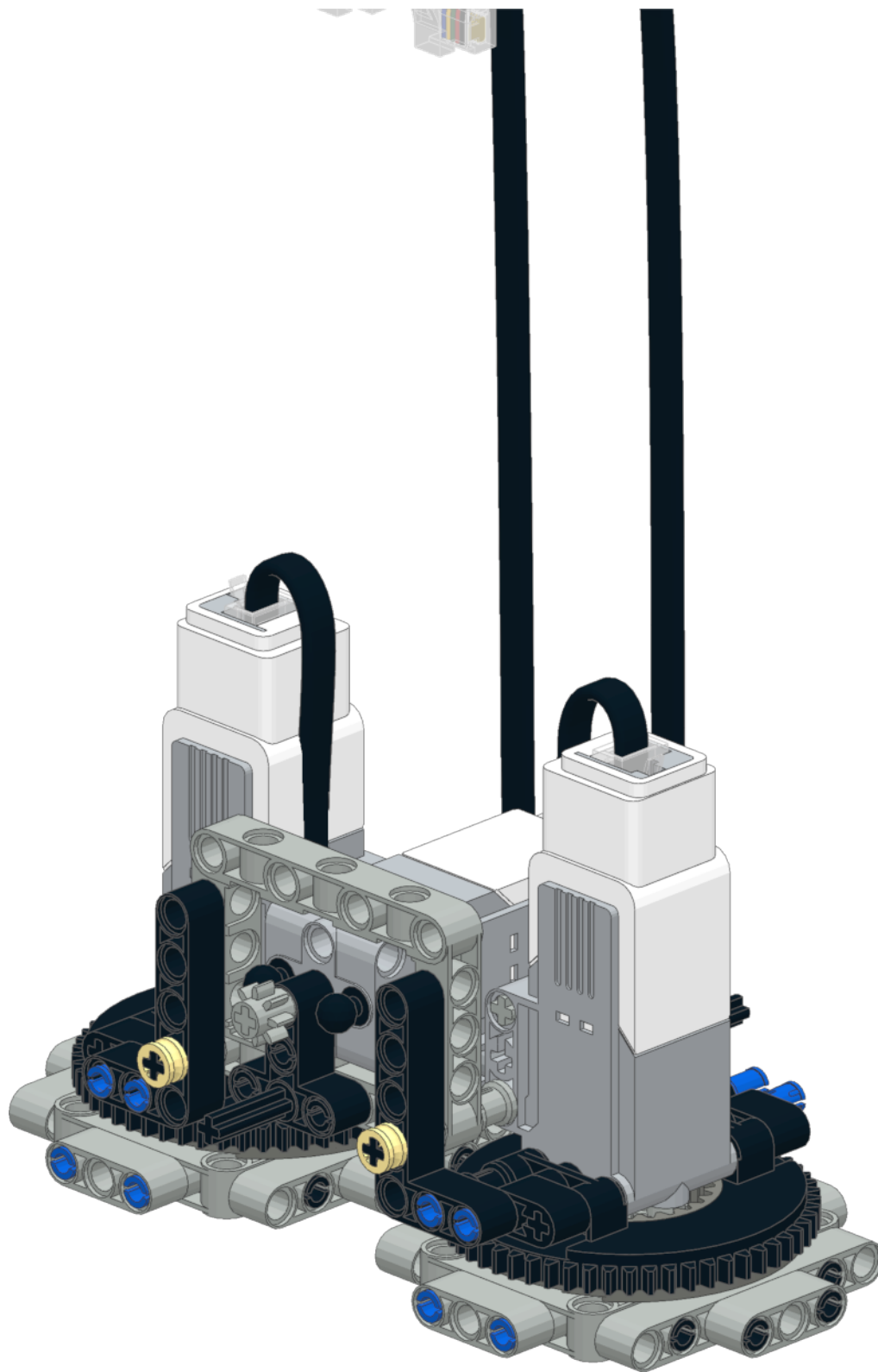
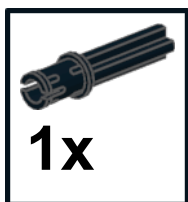
23



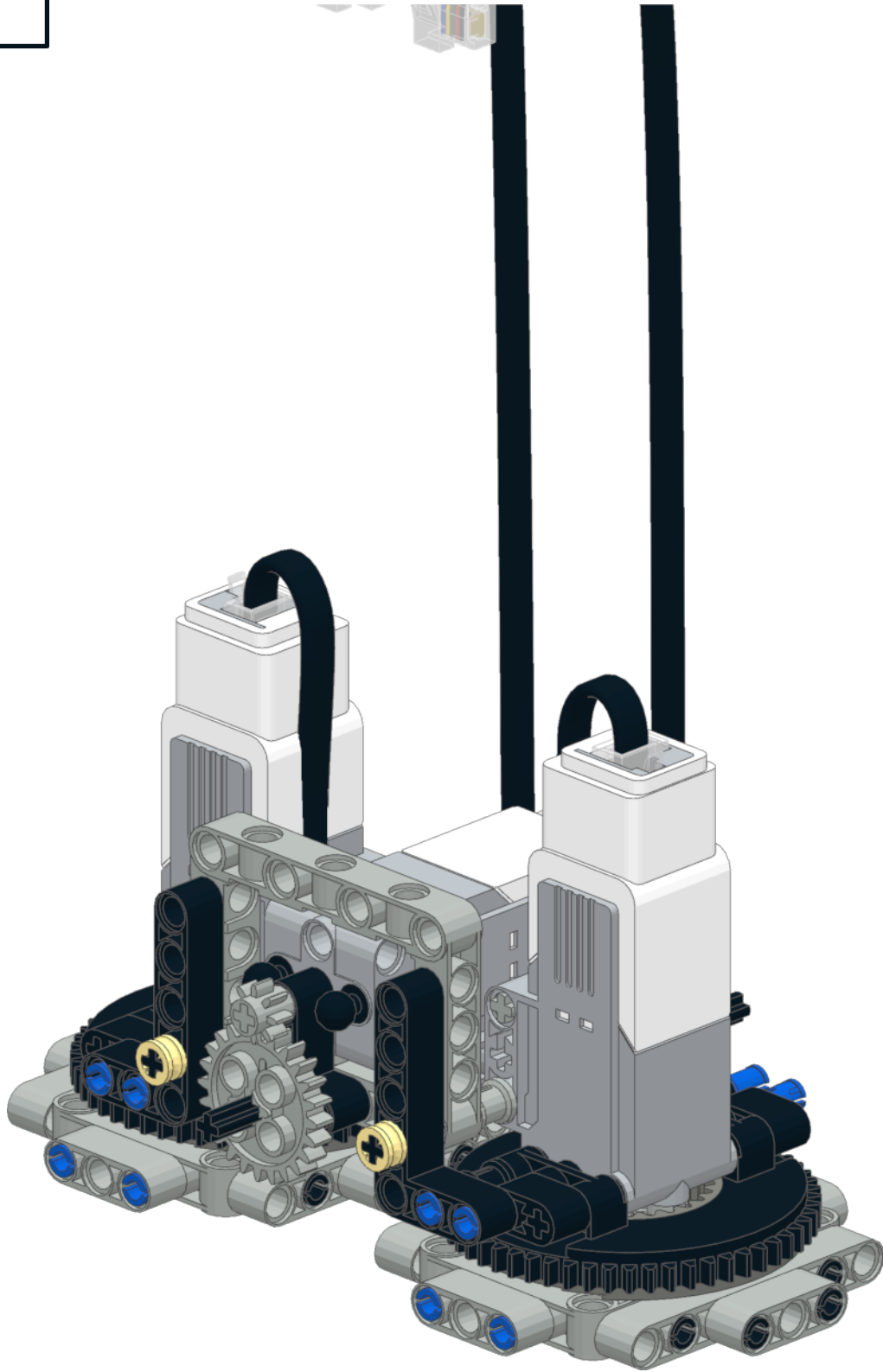
24



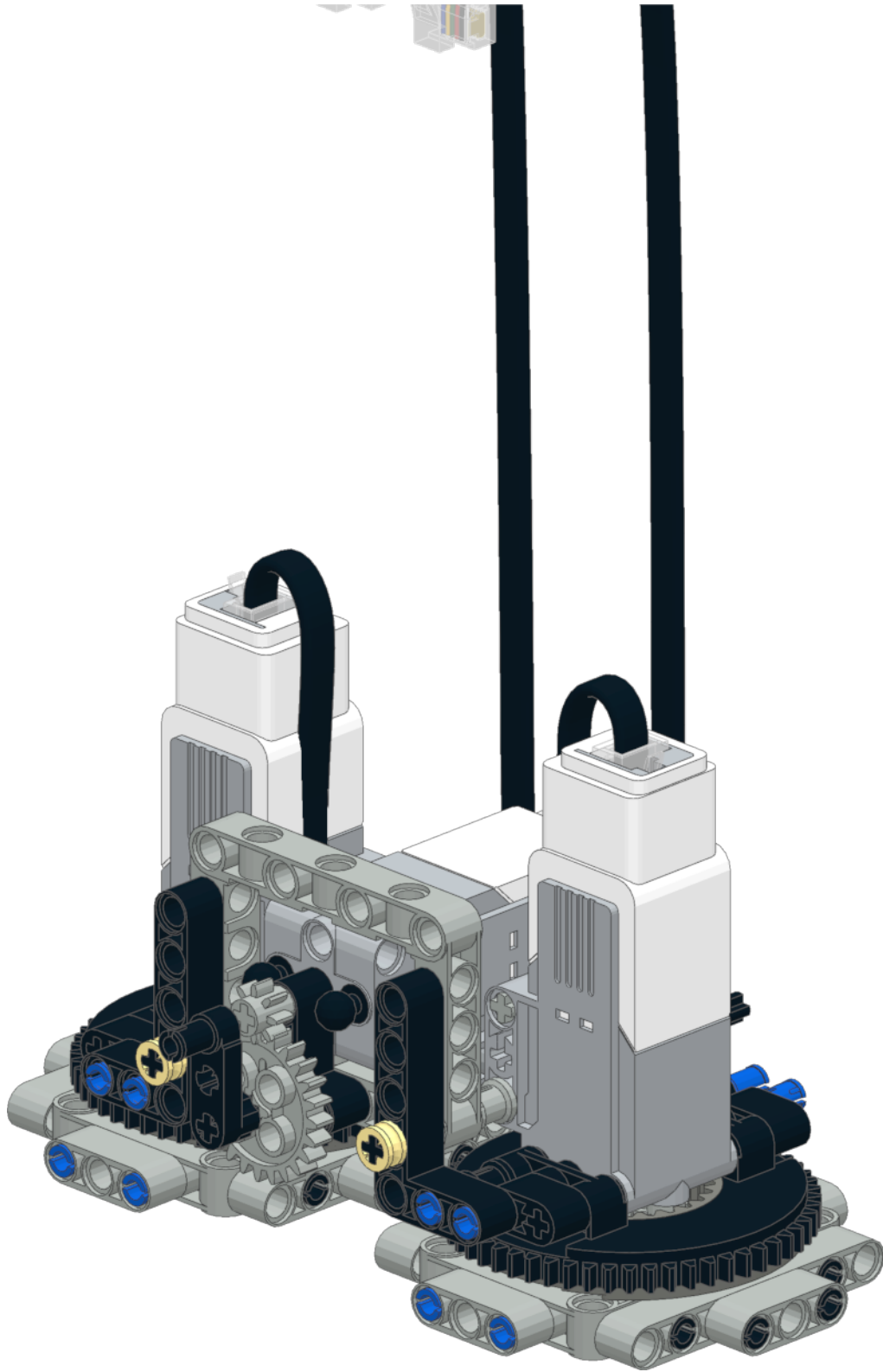
25



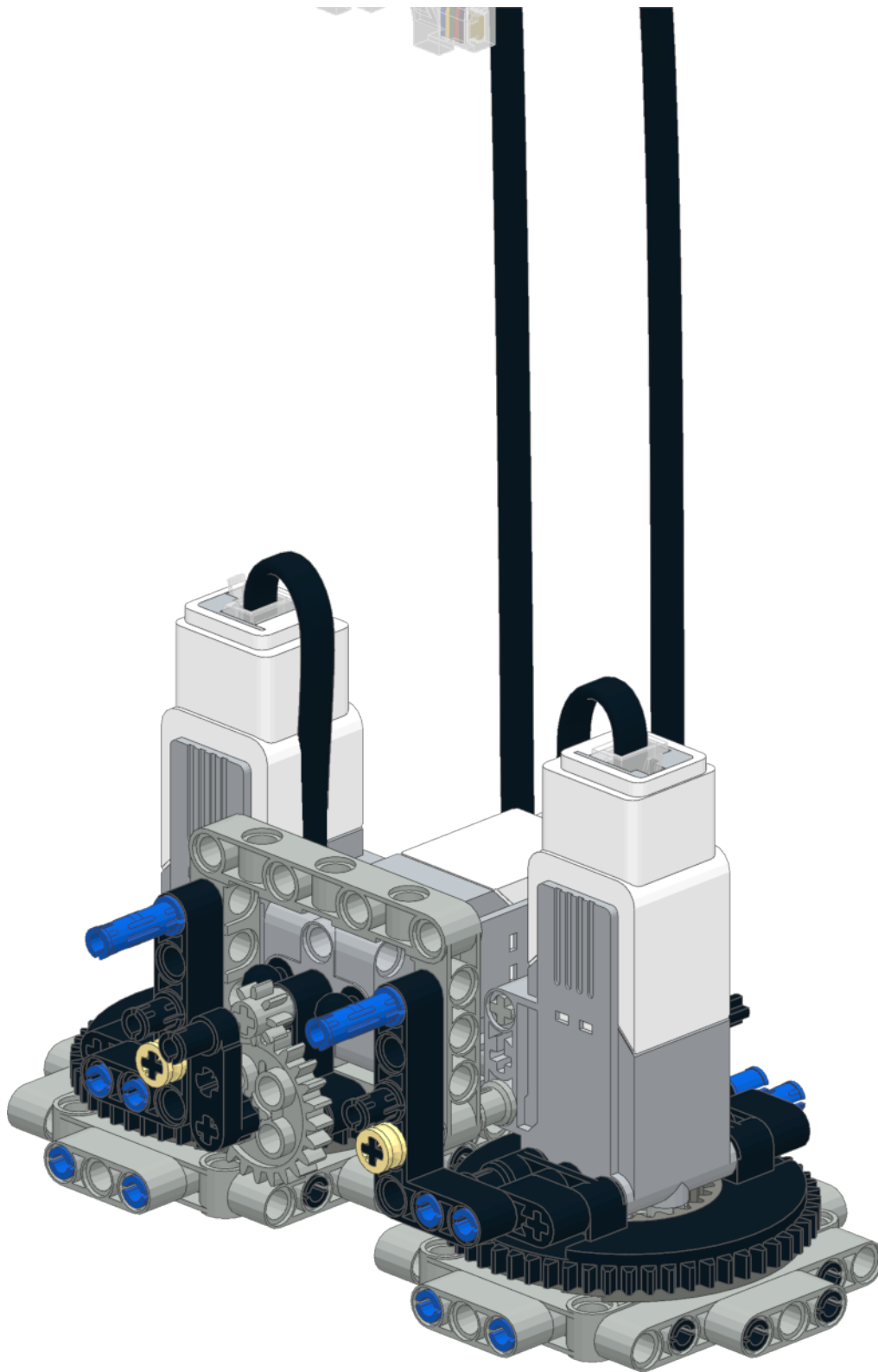
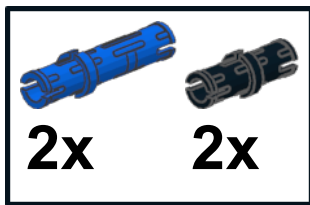
26



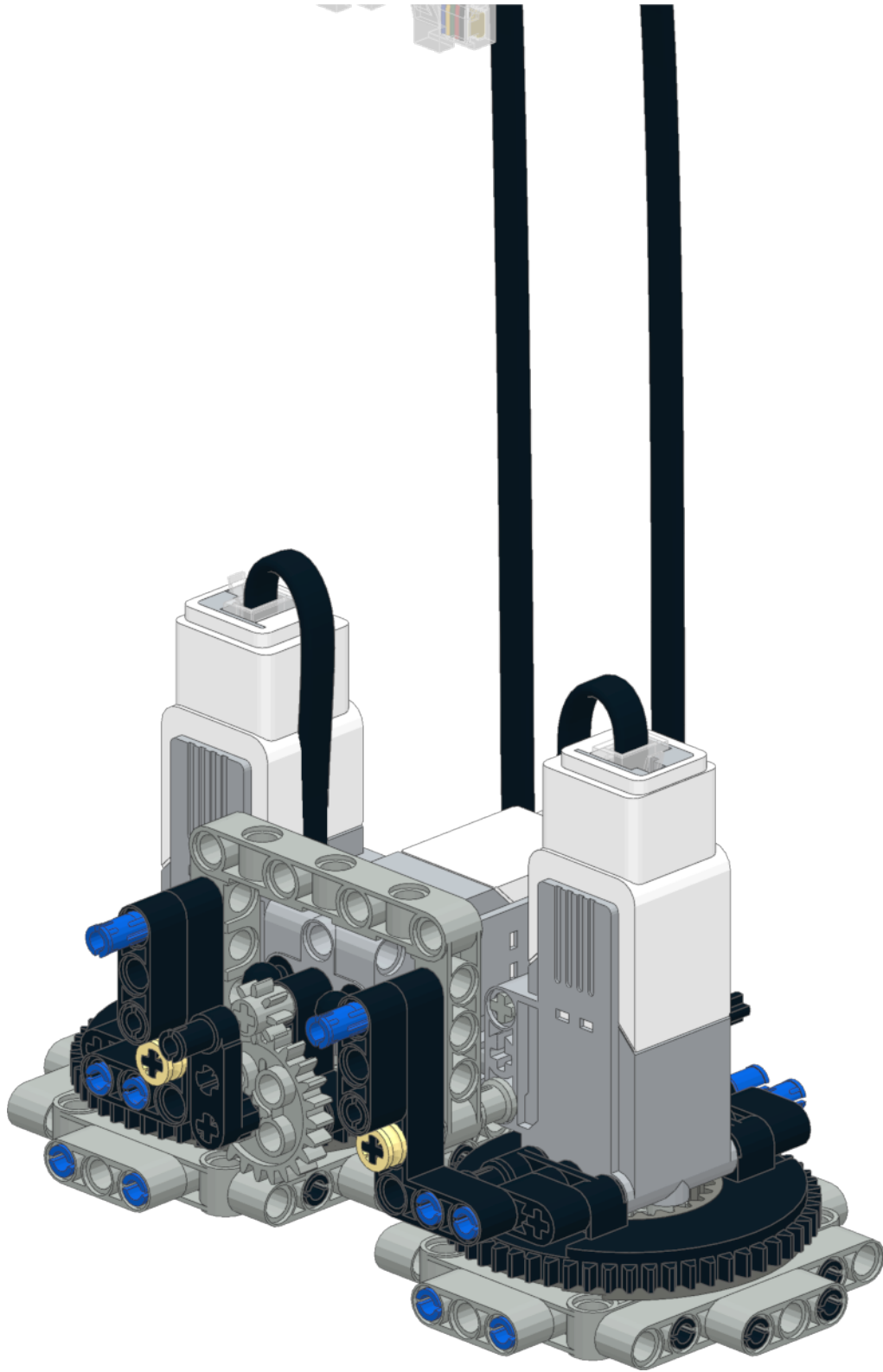
27



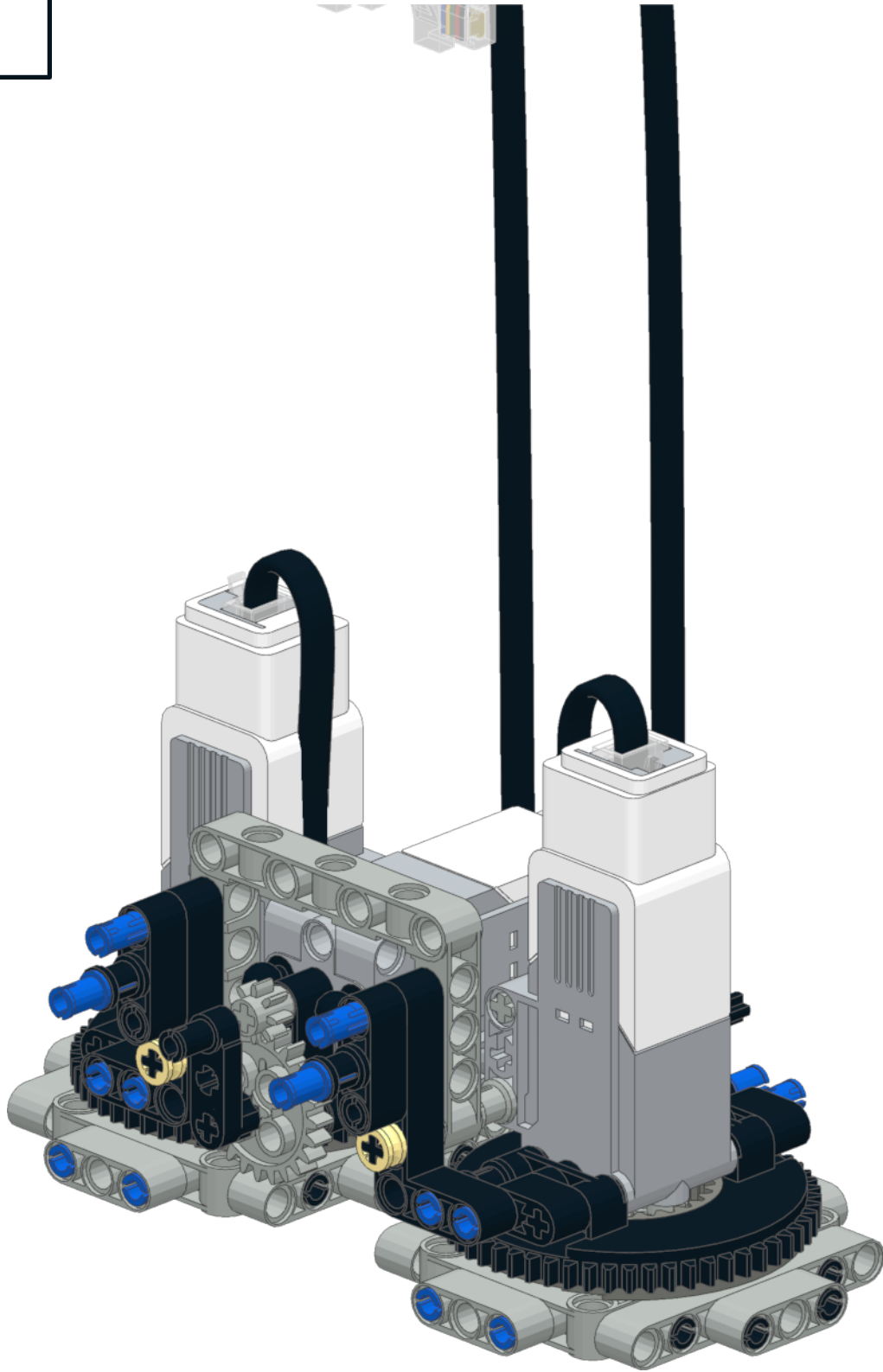
28



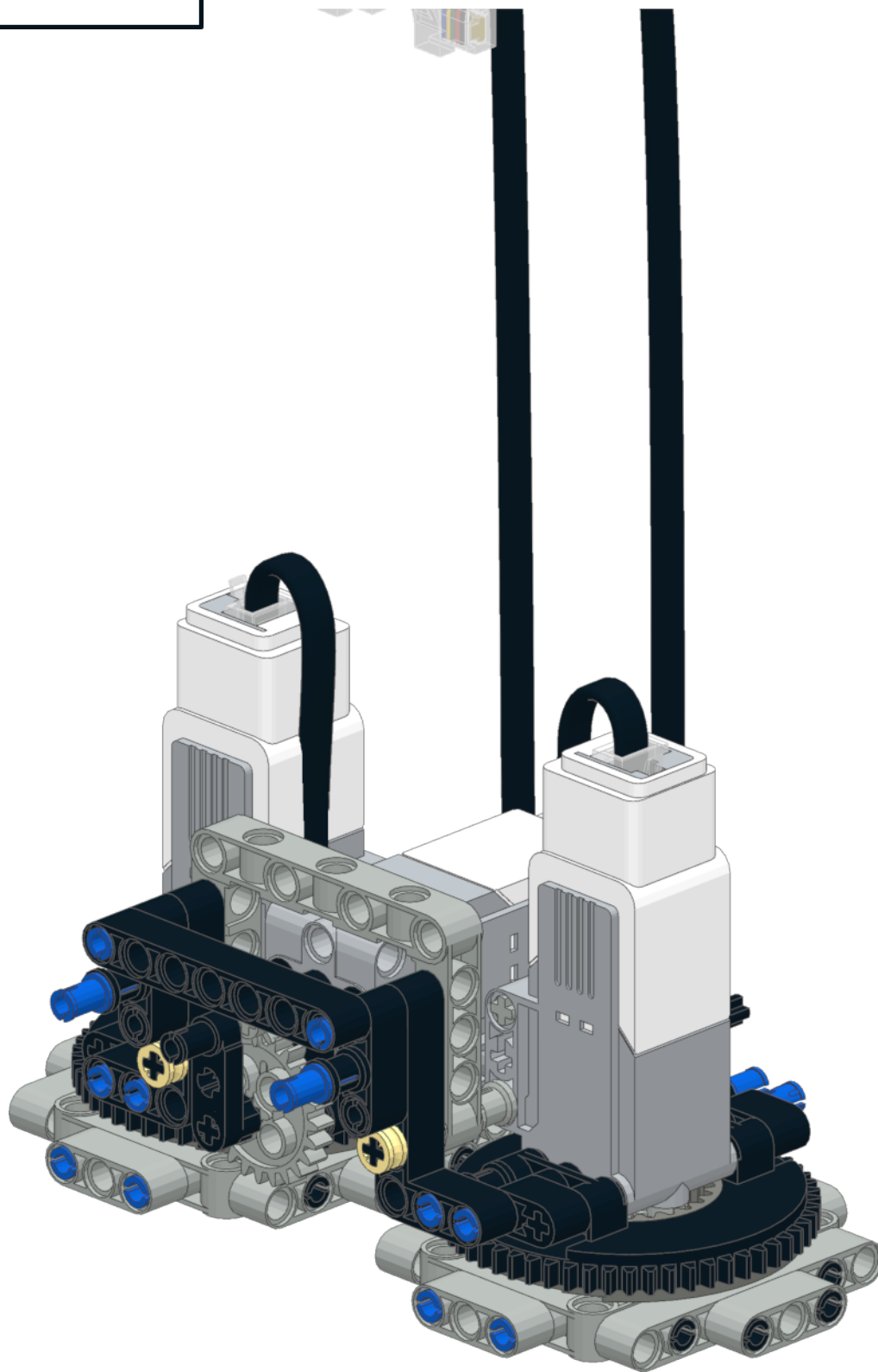
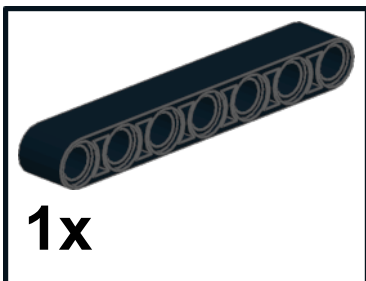
29



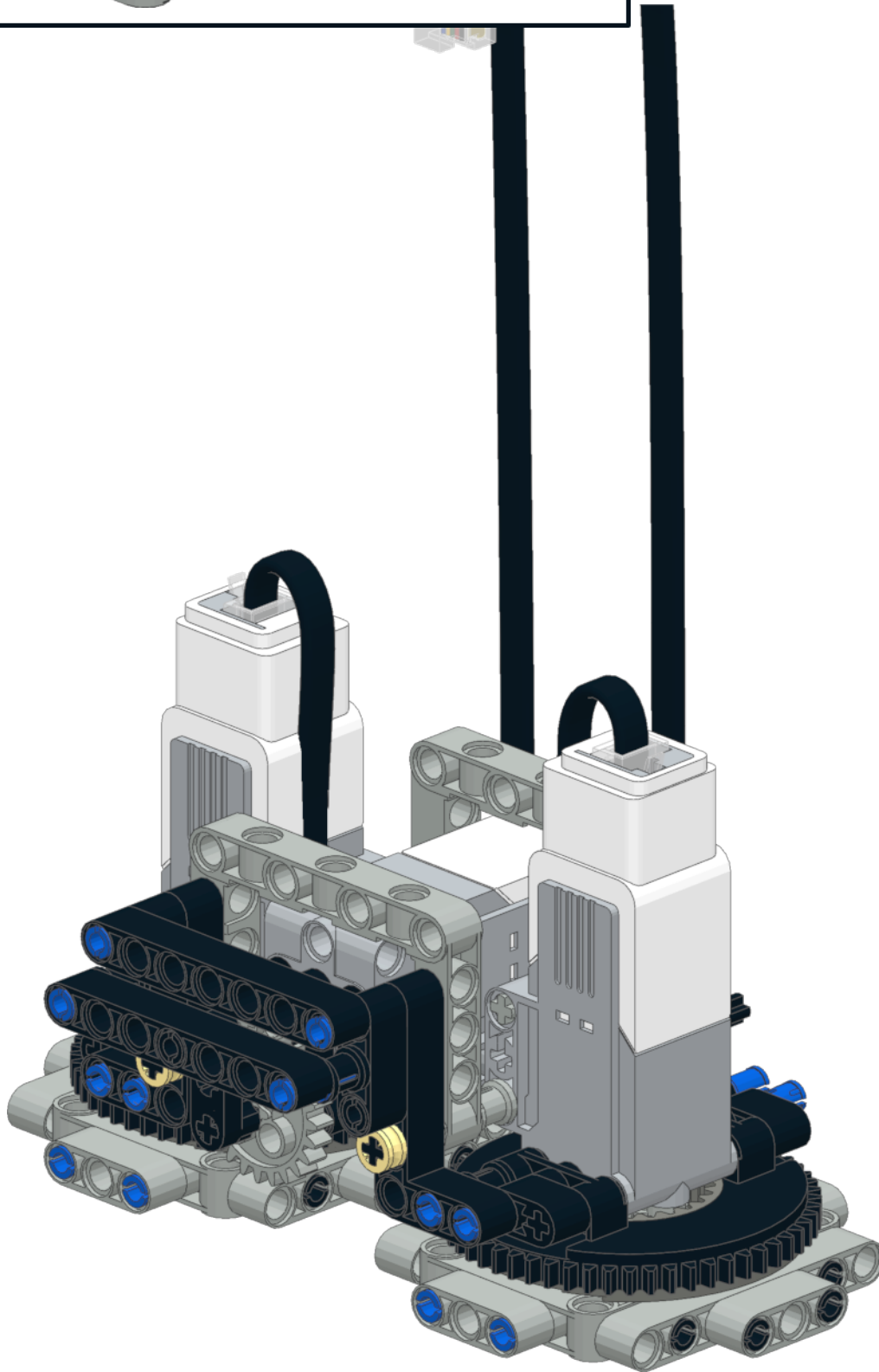
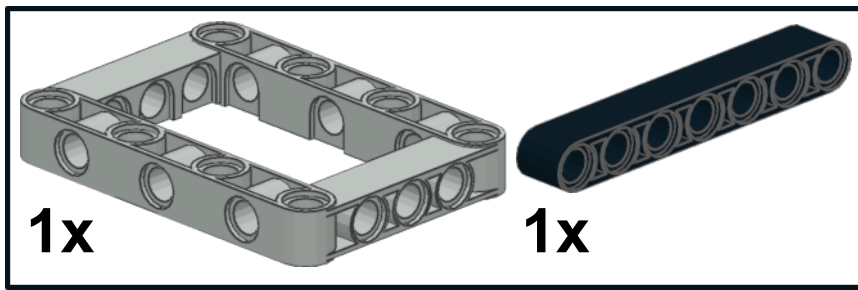
30



31



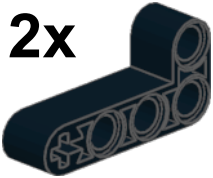
32



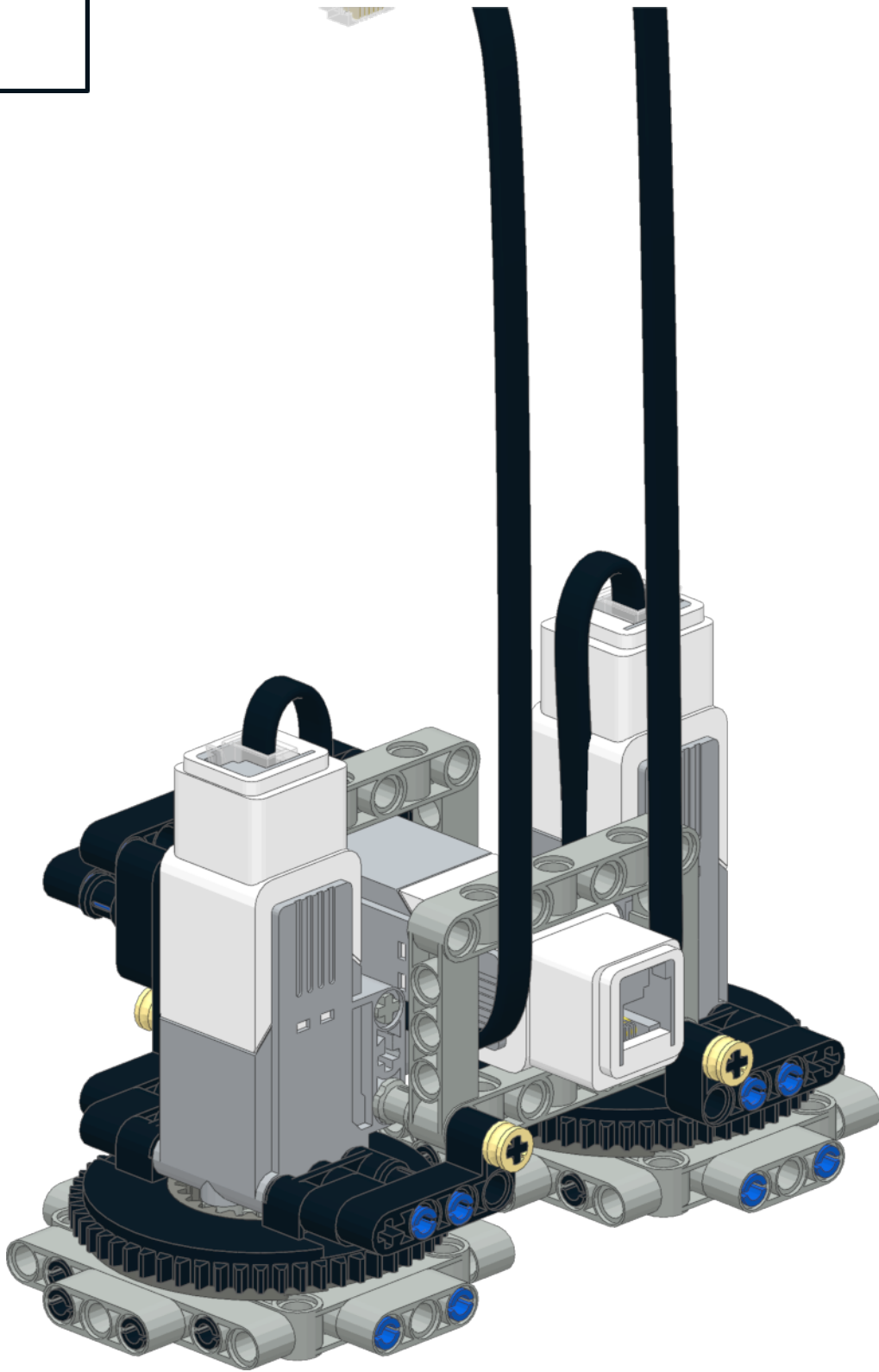
33



2x



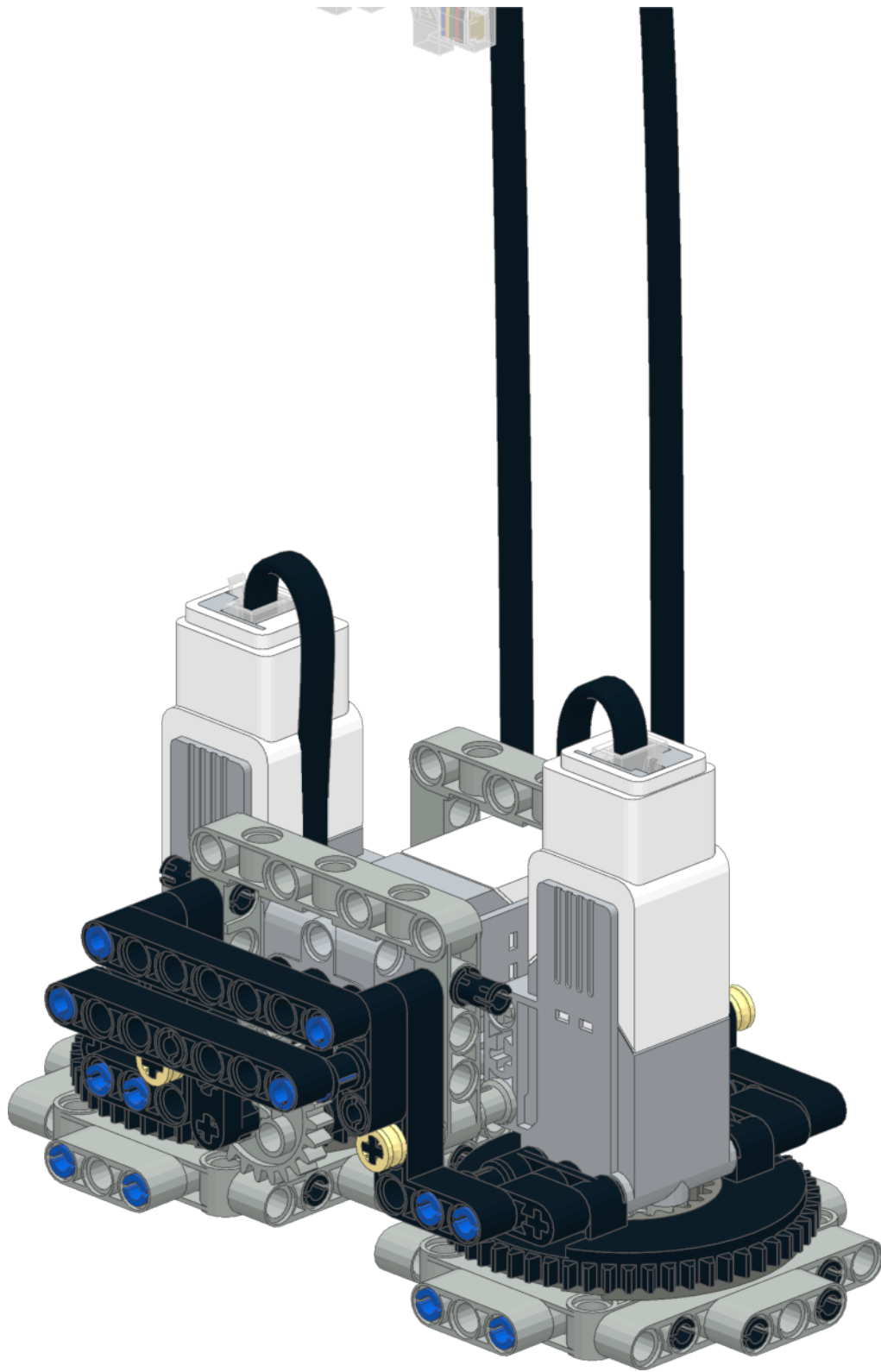
2x



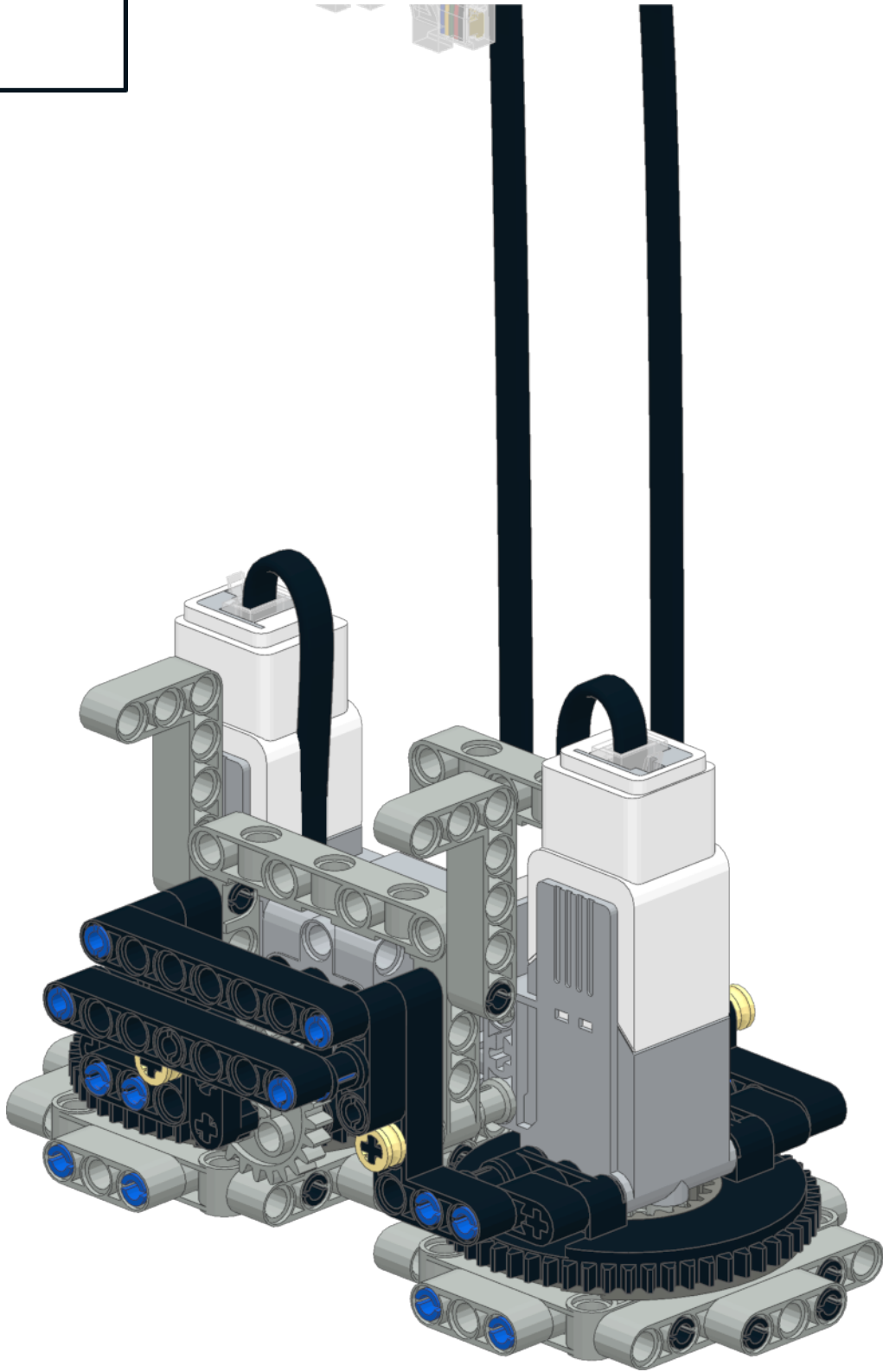
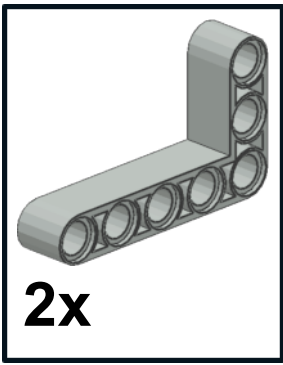
34



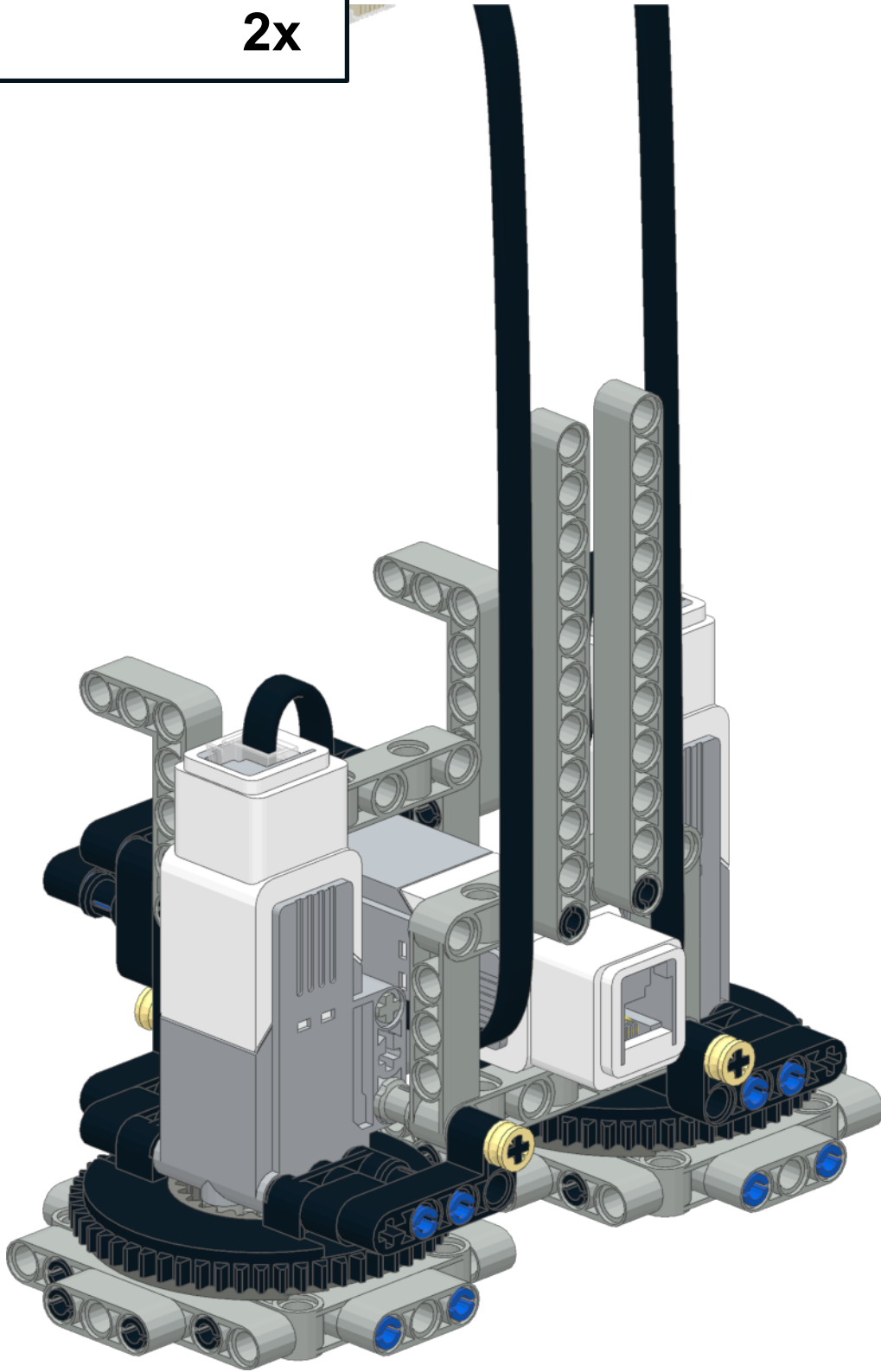
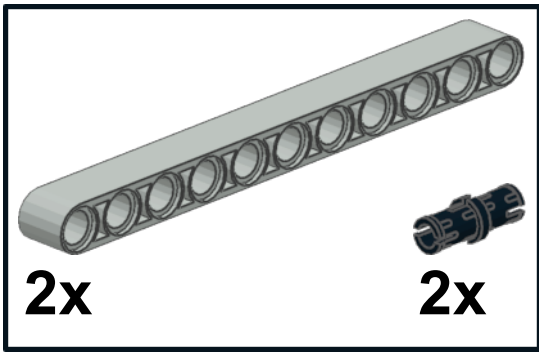
2x



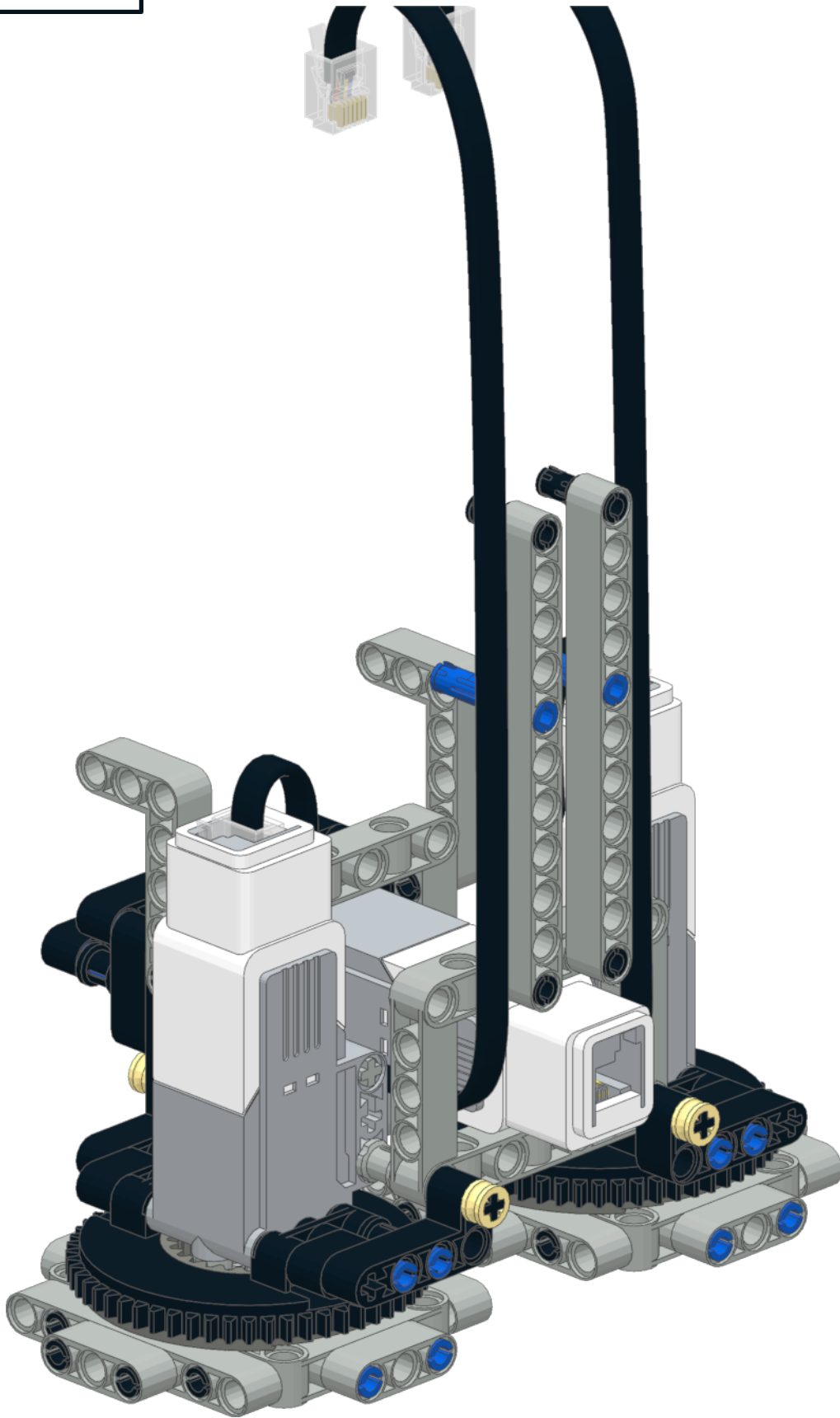
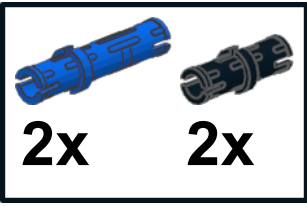
35



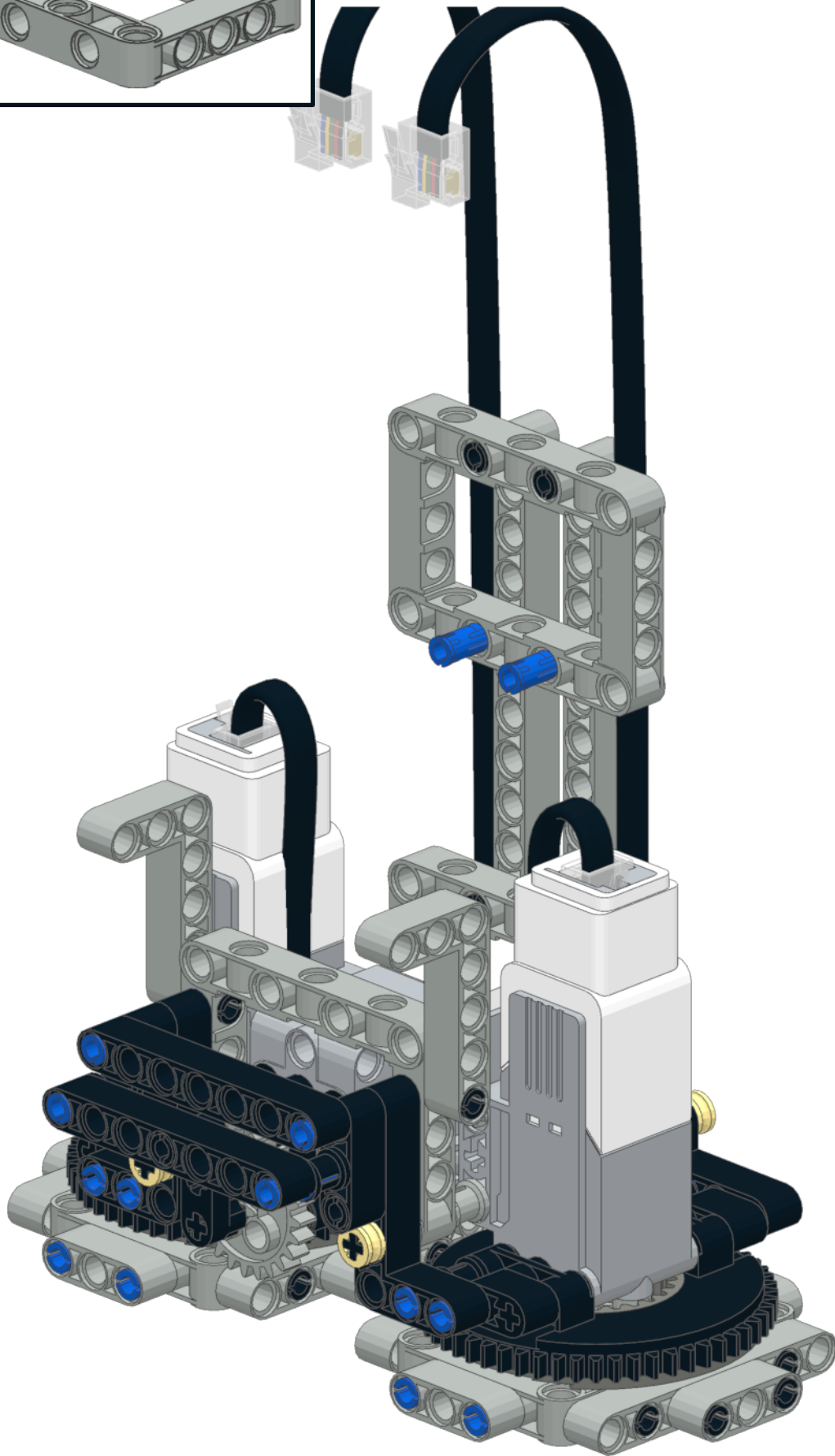
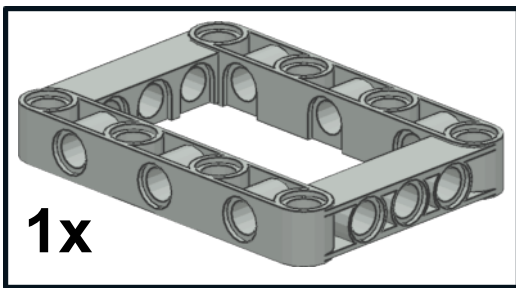
36



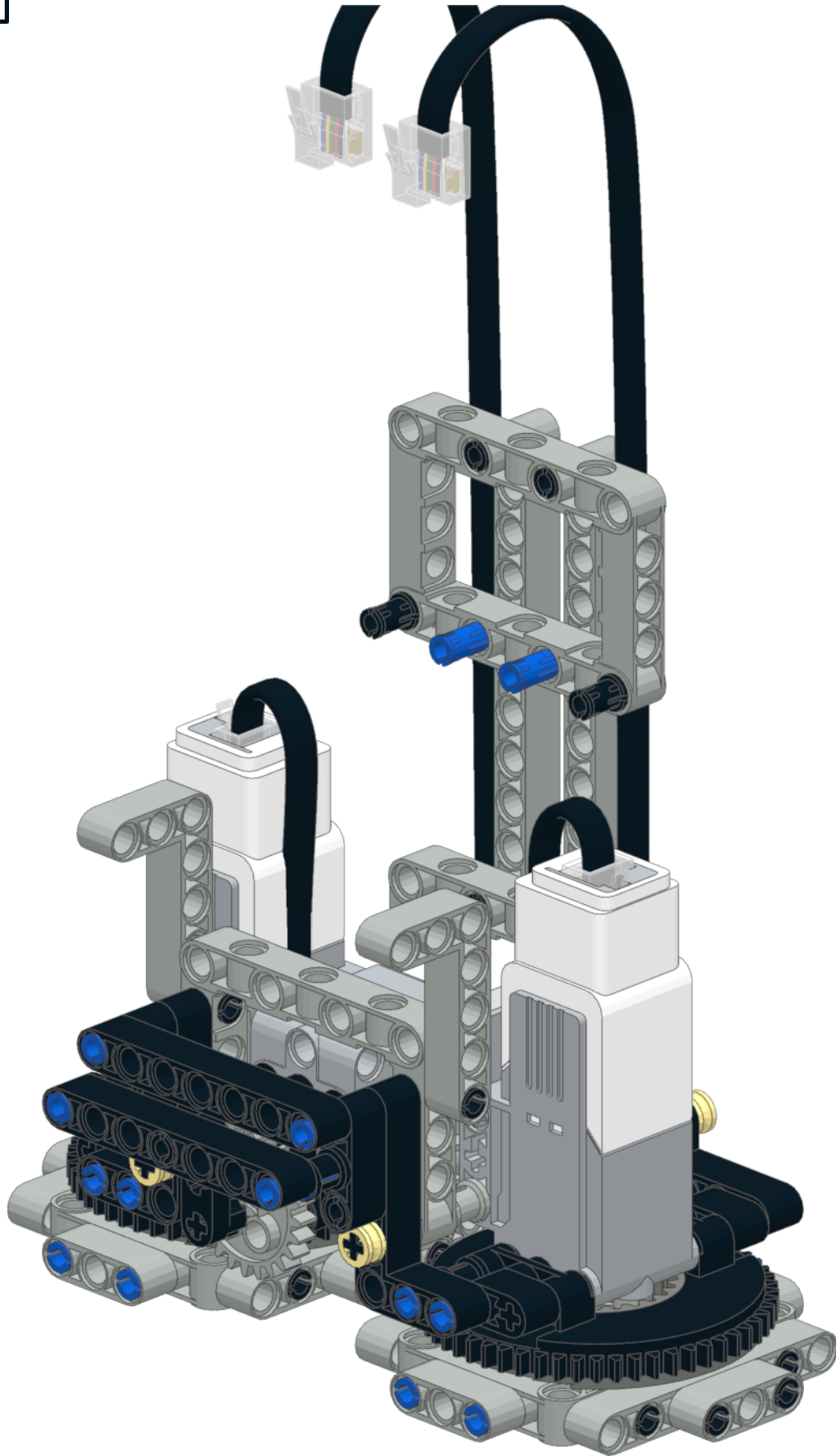
37



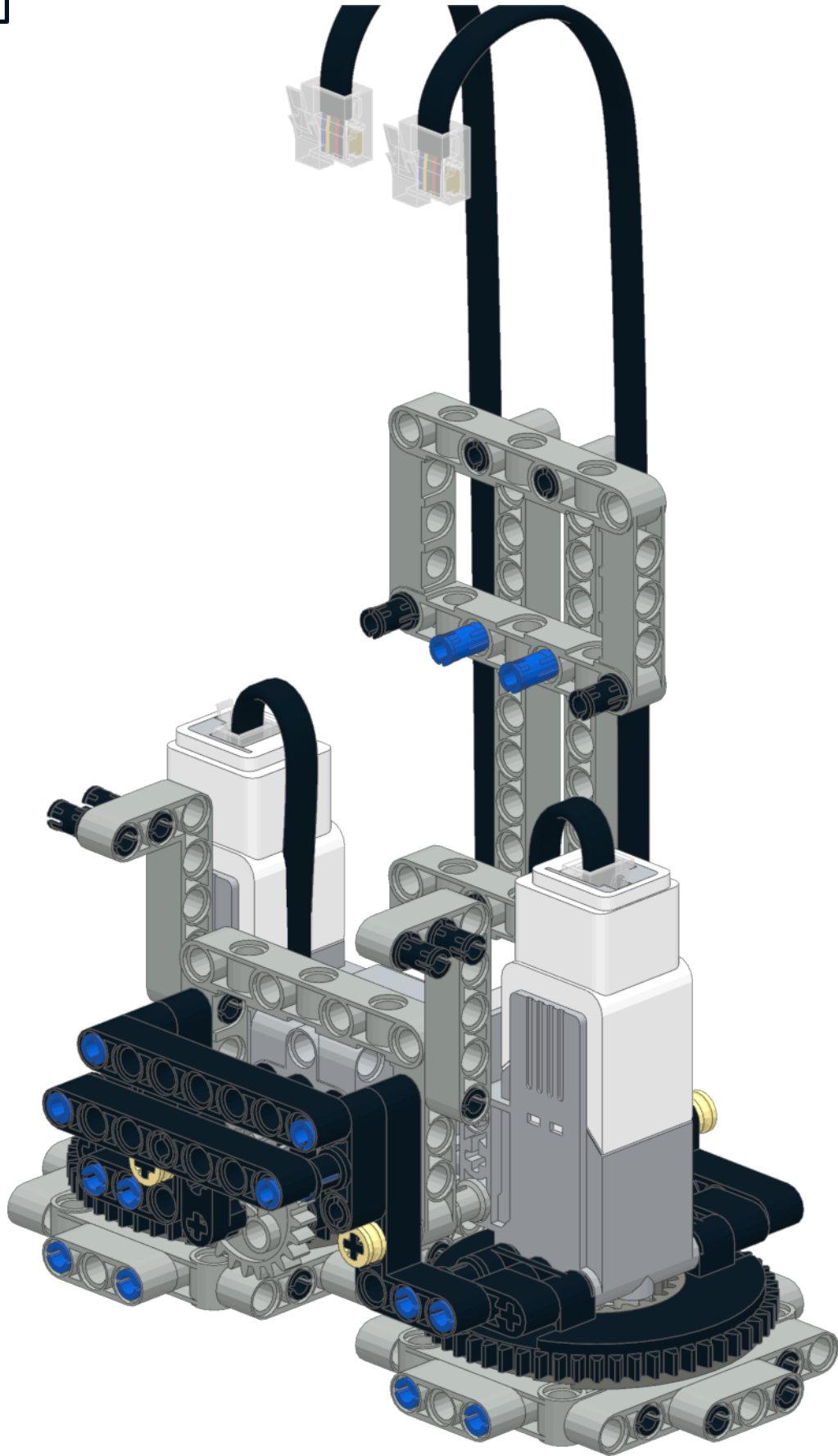
38

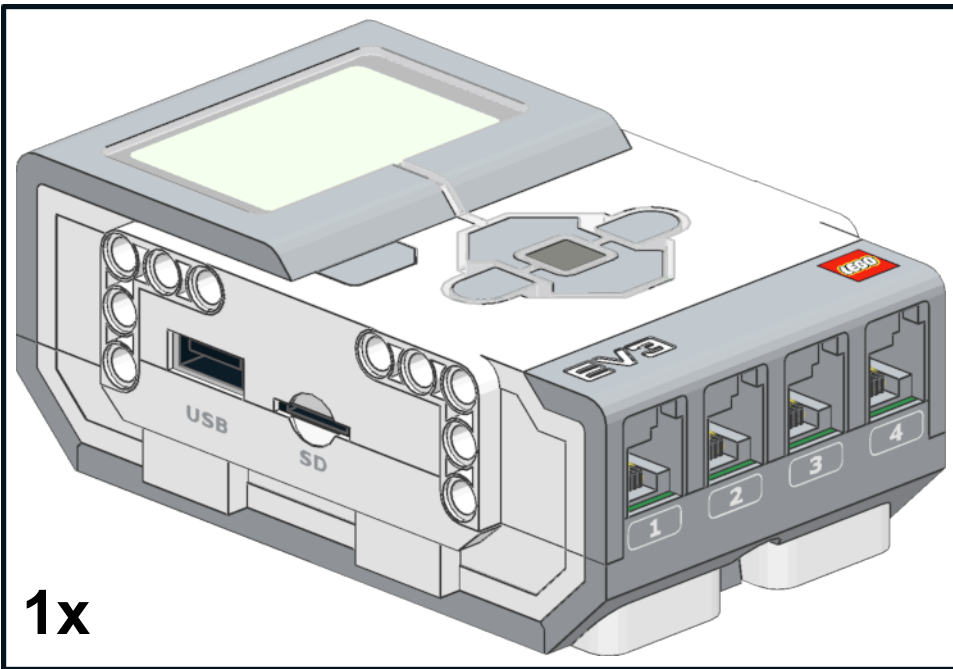


39

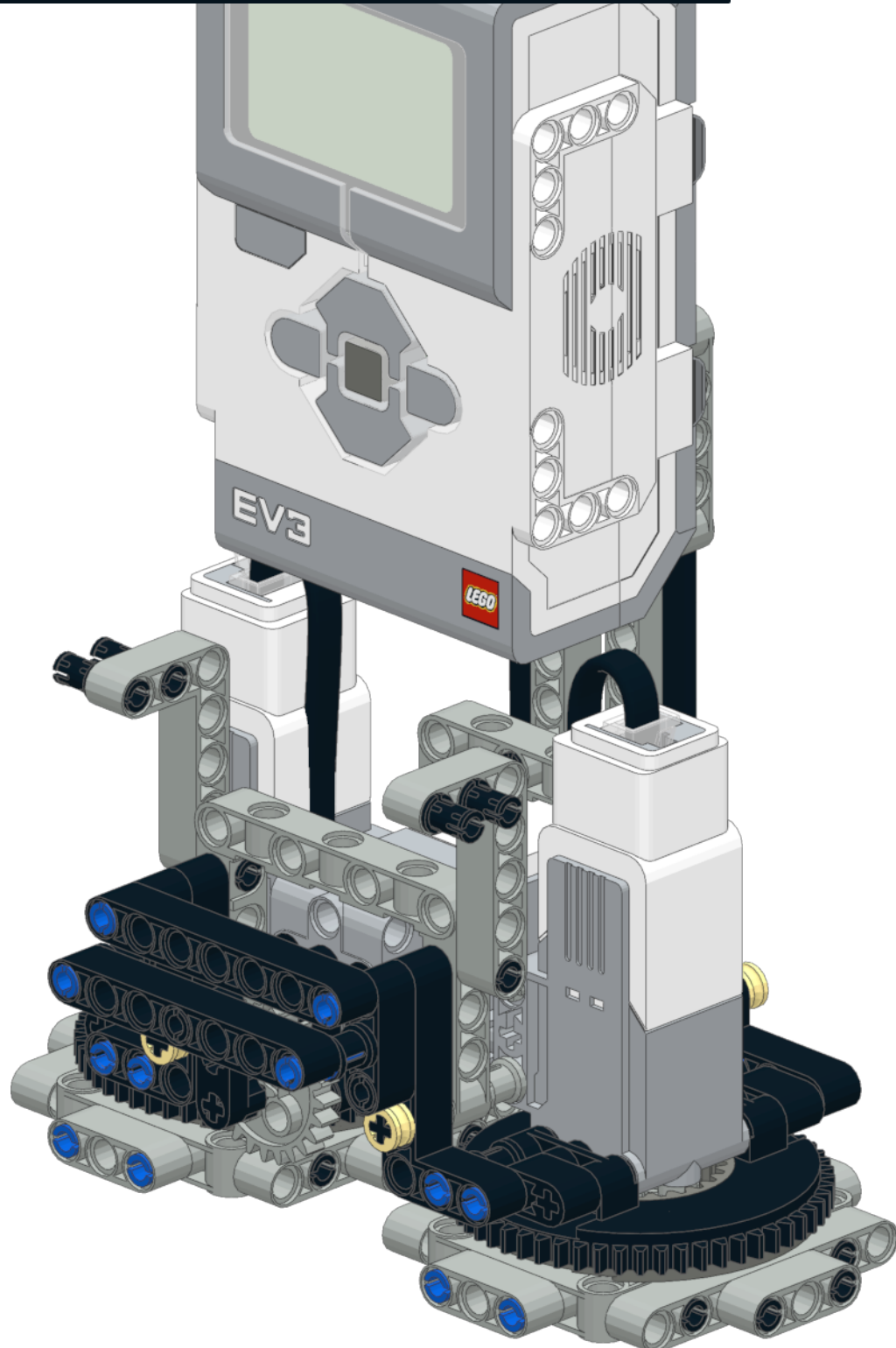


40

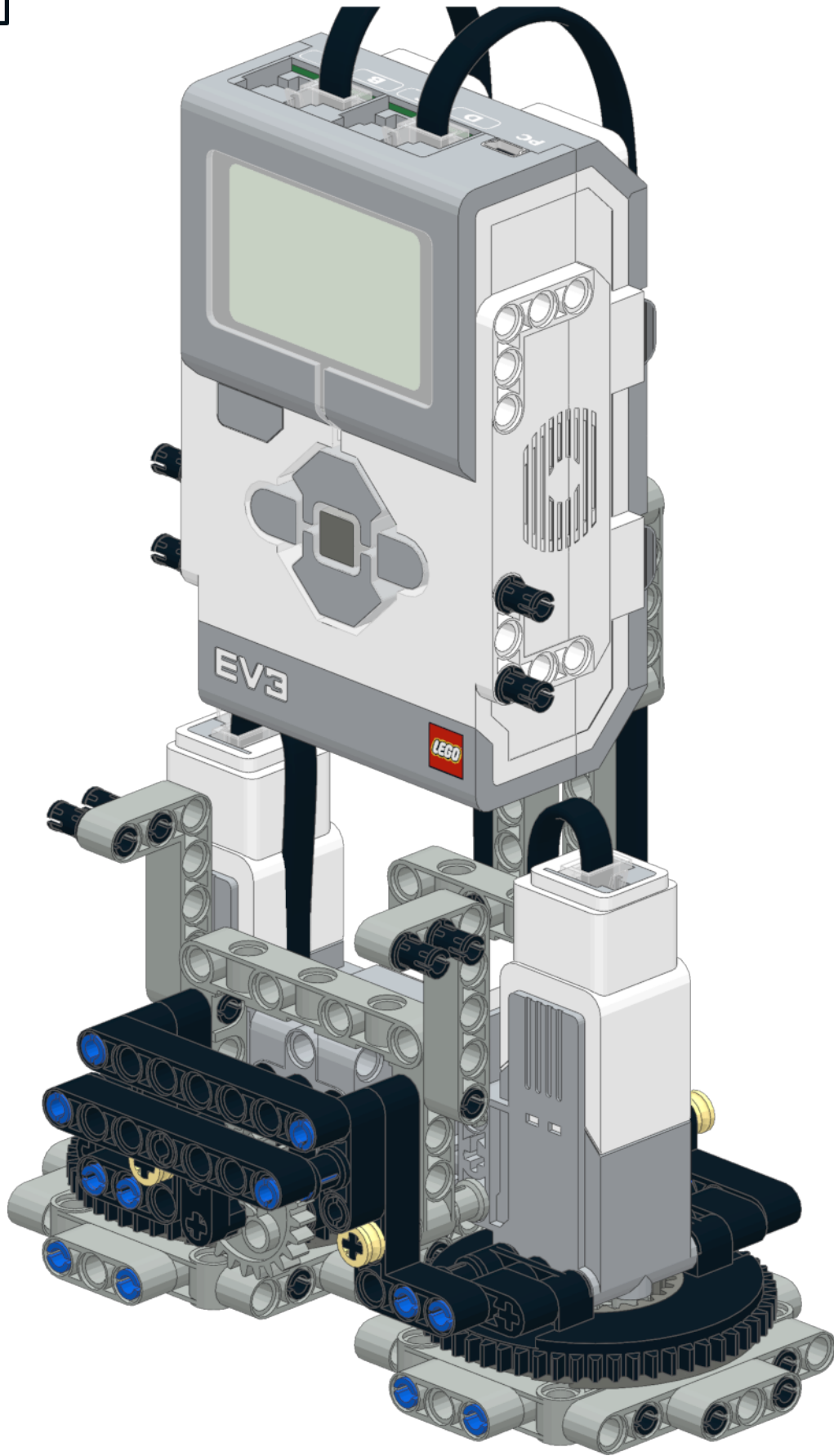




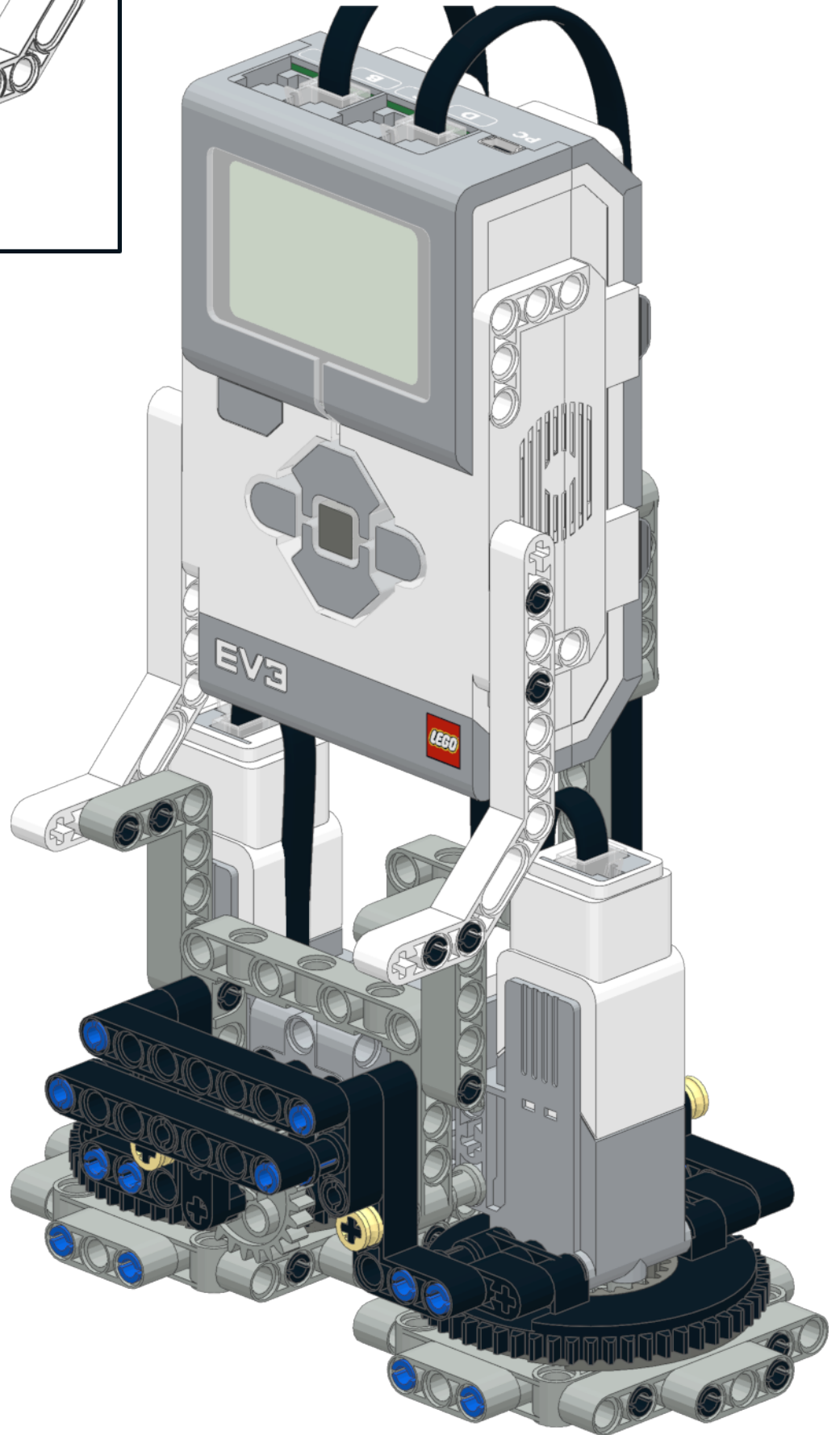
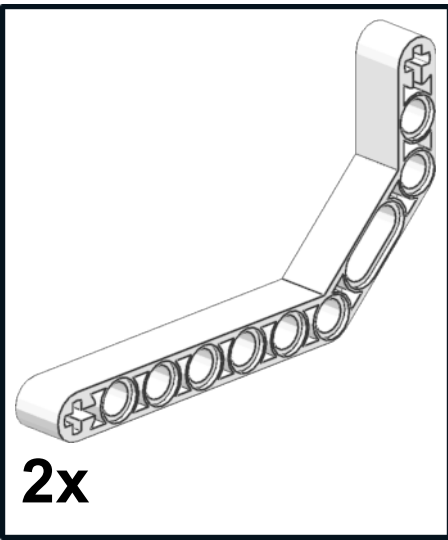
1x



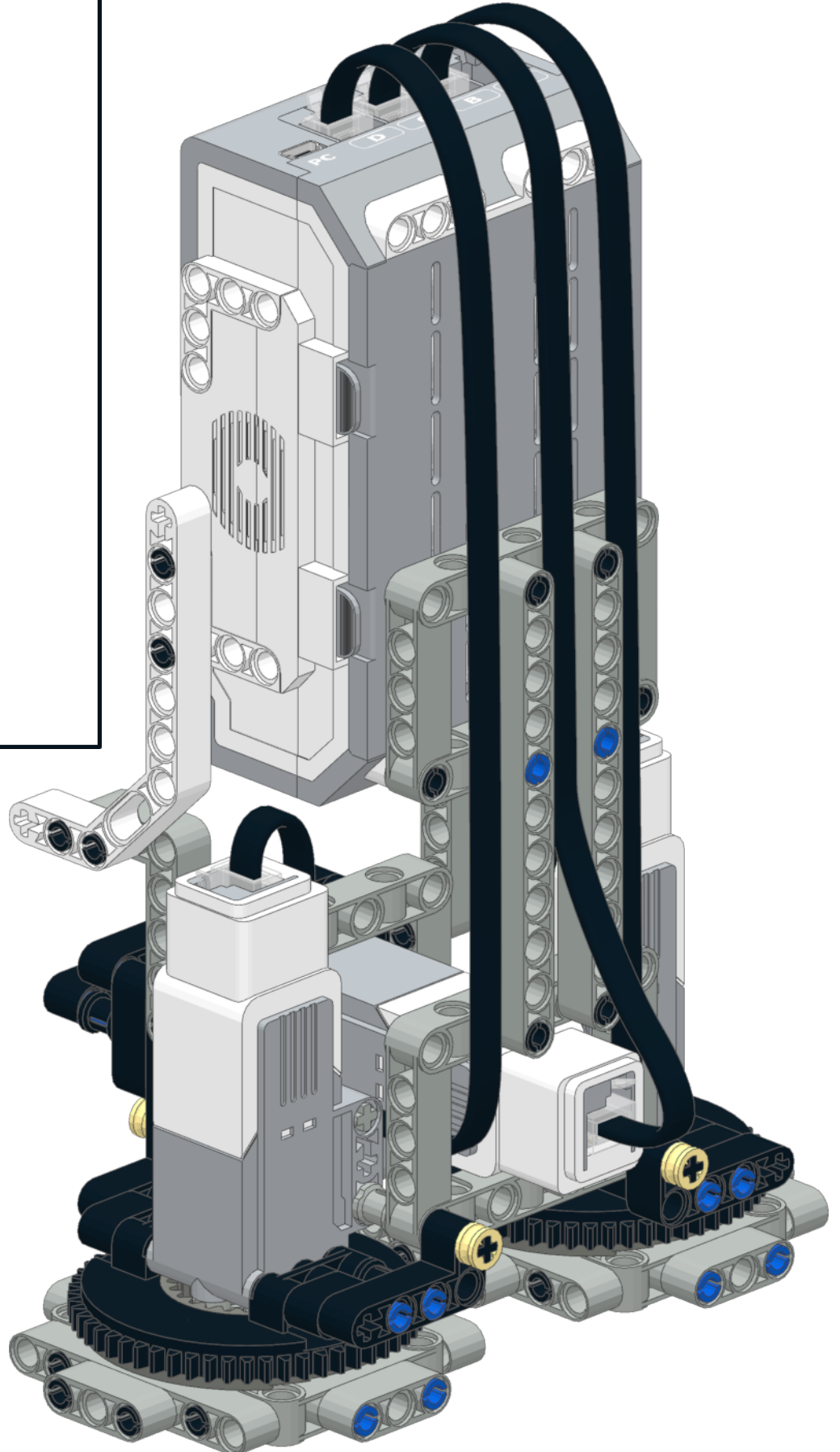
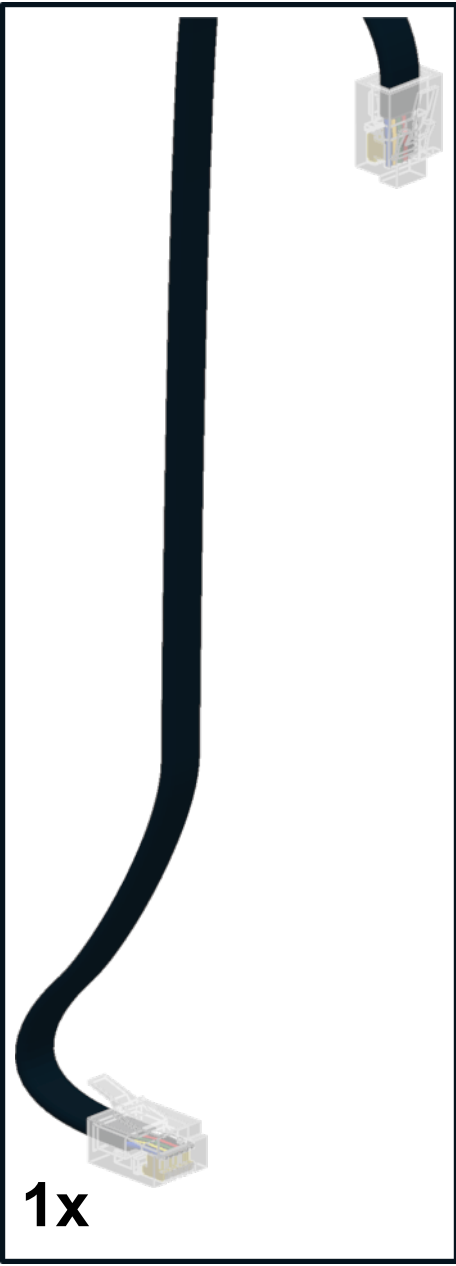
42



43



44



45

