

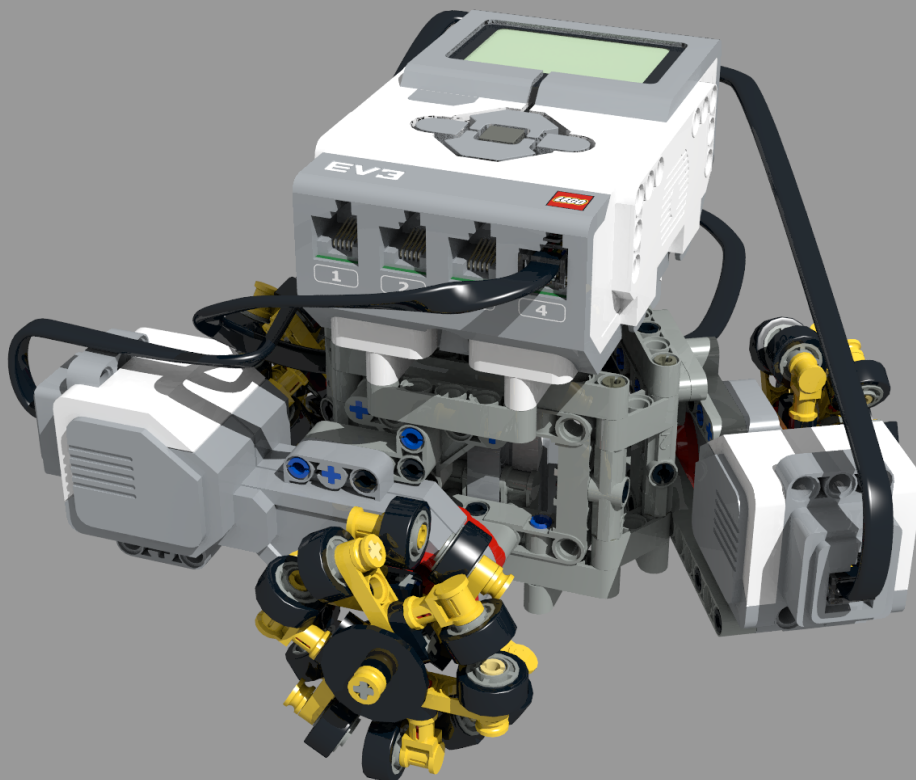
MICK3Y

A holonomic line follower
using omni wheels based on a design by
Yoshihito Isogawa

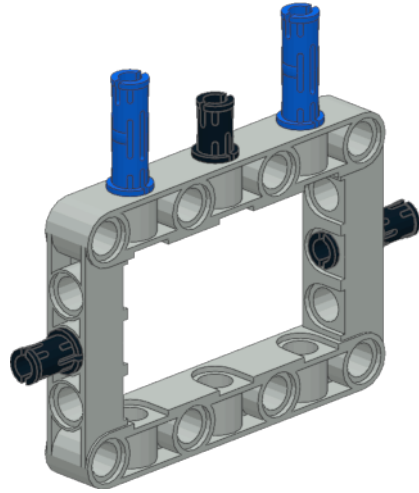
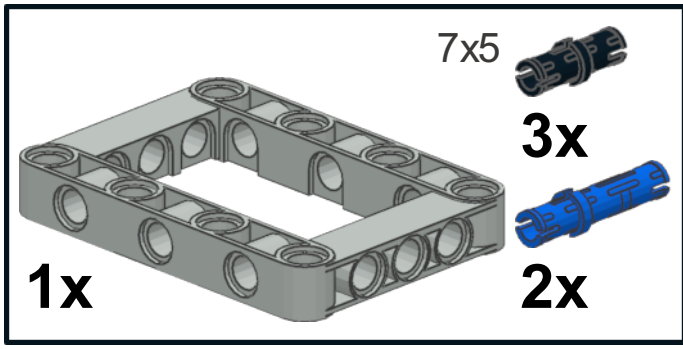
by

Stu Nicholls

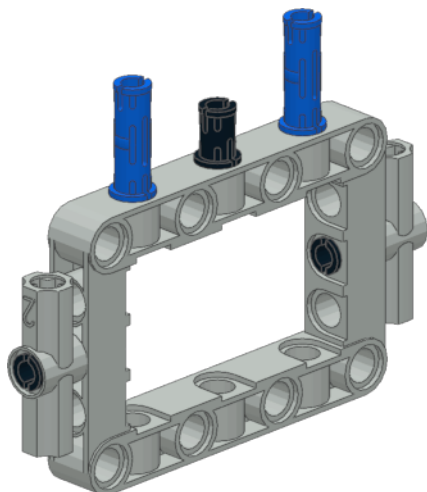
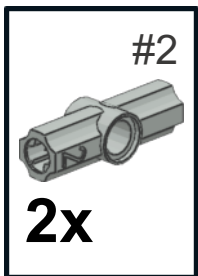
<http://www.stunicholls.com>



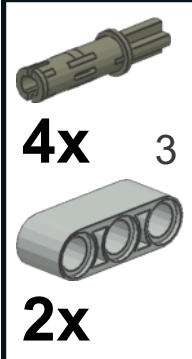
1



2

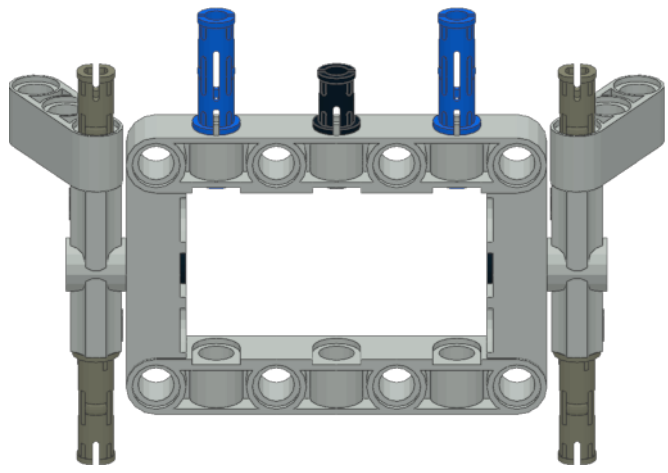


3



4x 3

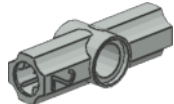
2x



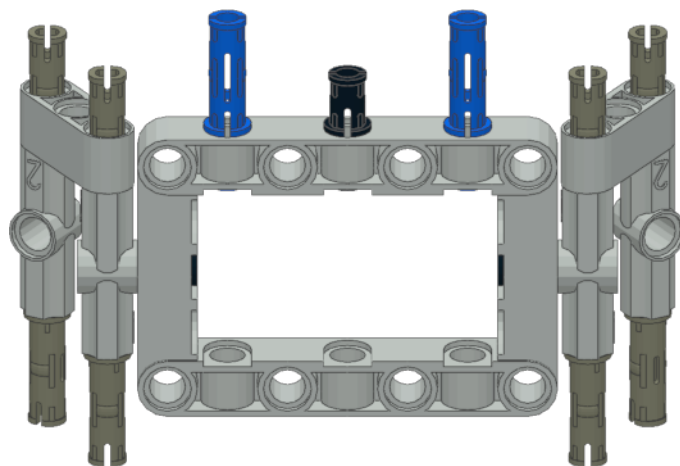
4




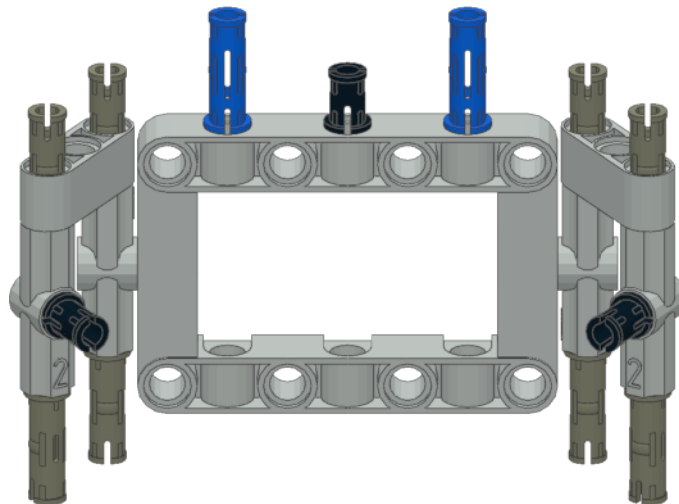
4x #2



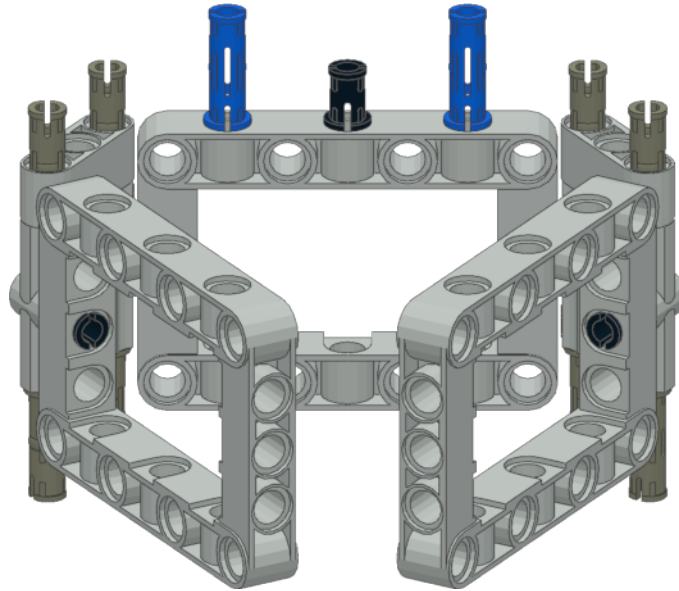
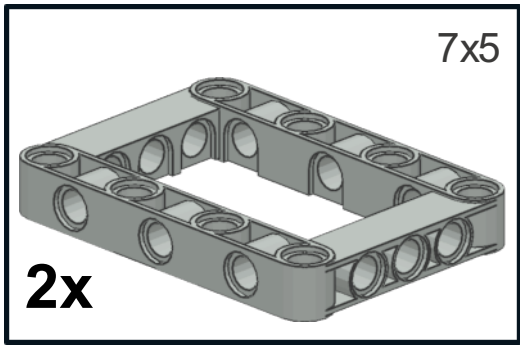
2x



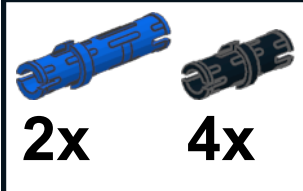
5 
2x



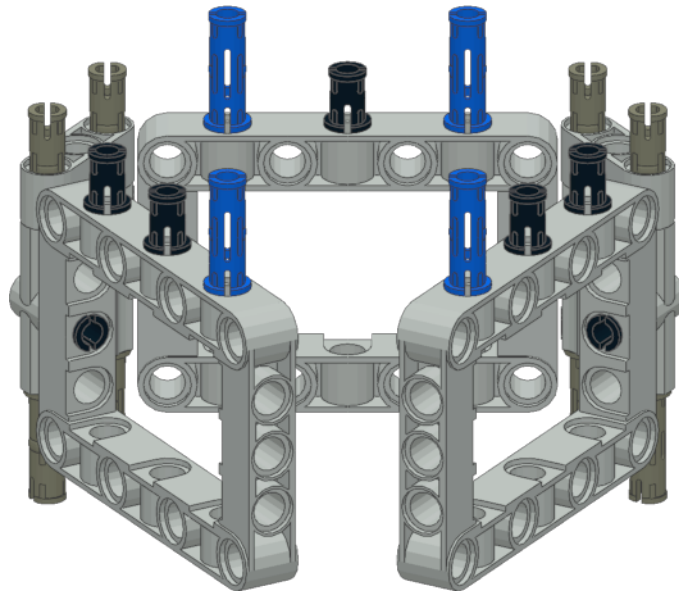
6



7



2x **4x**



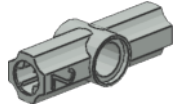
8



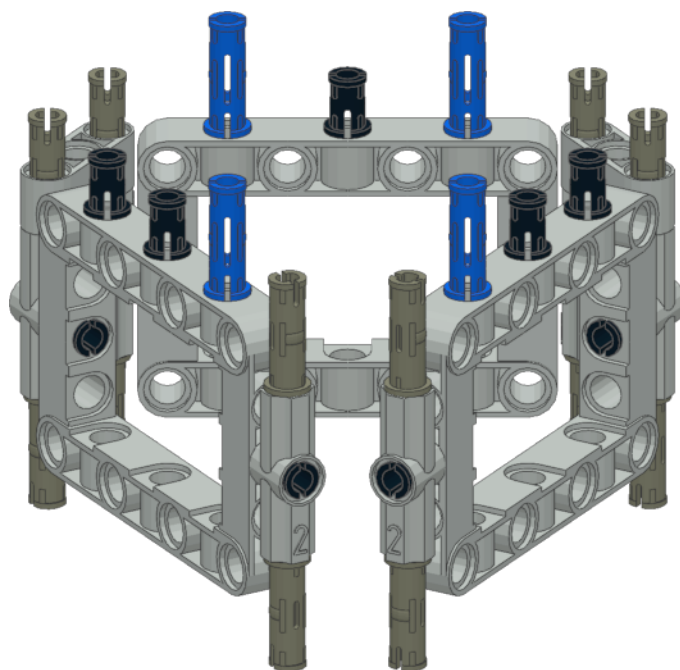
2x



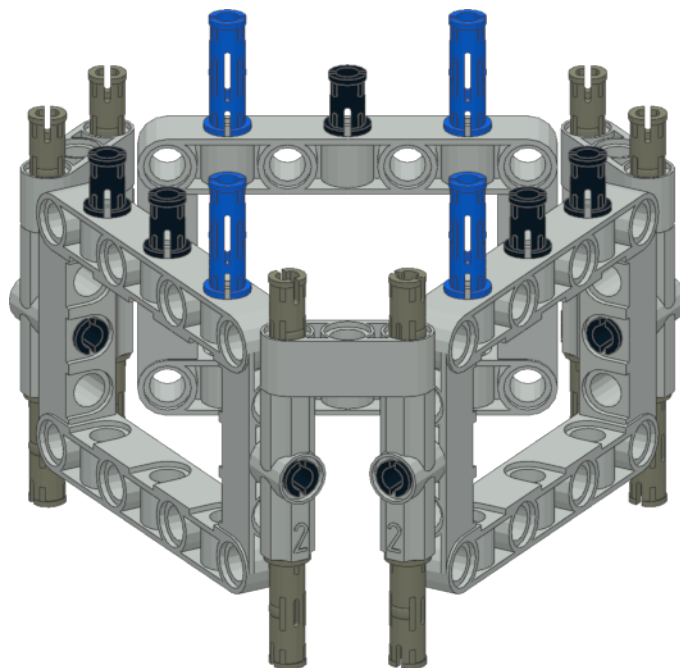
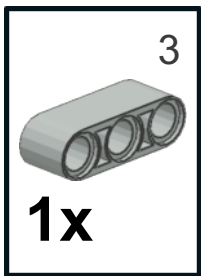
4x #2



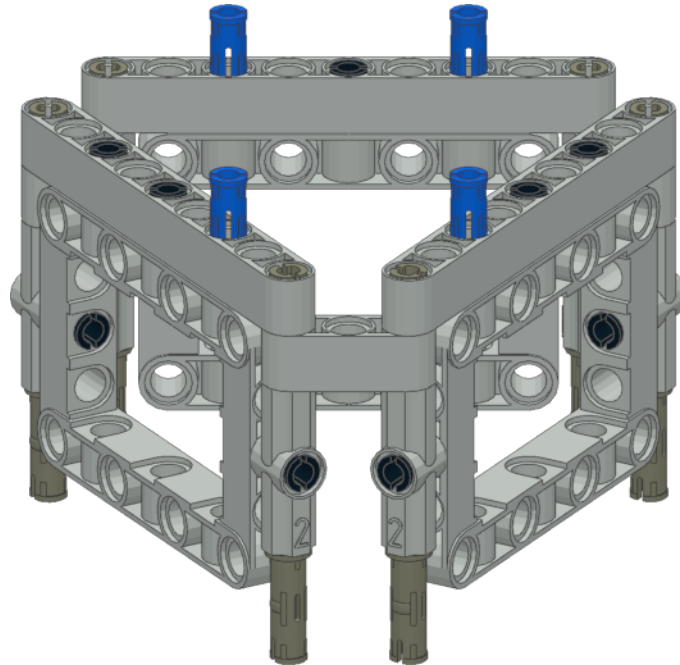
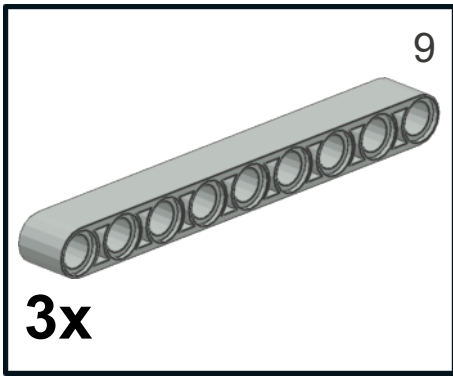
2x



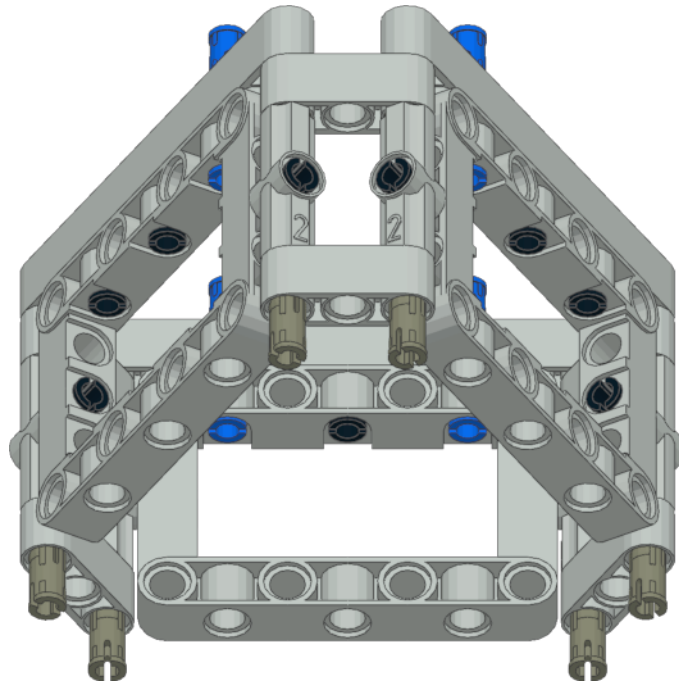
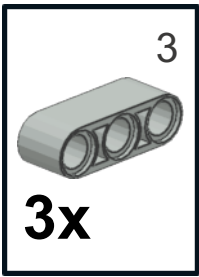
9



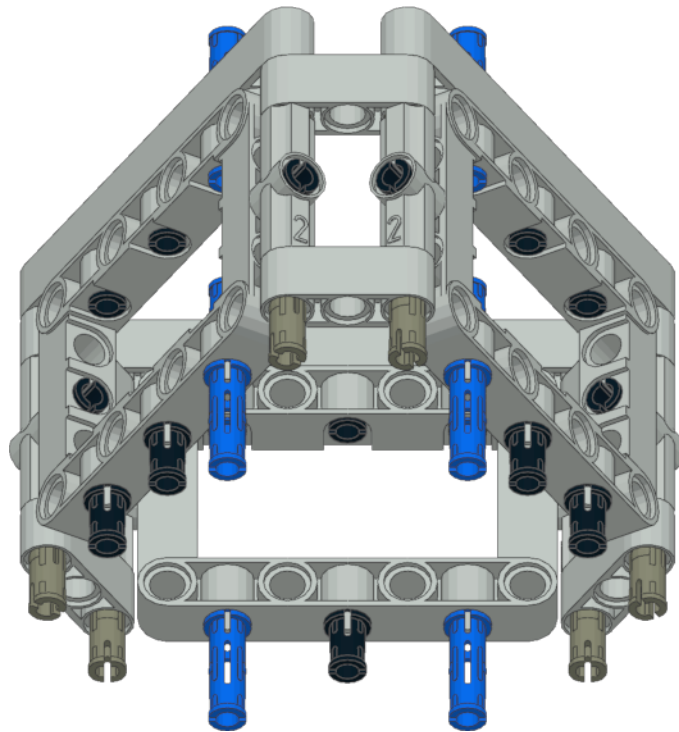
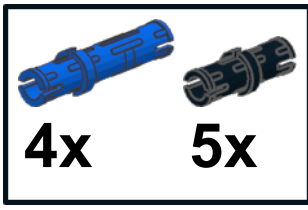
10



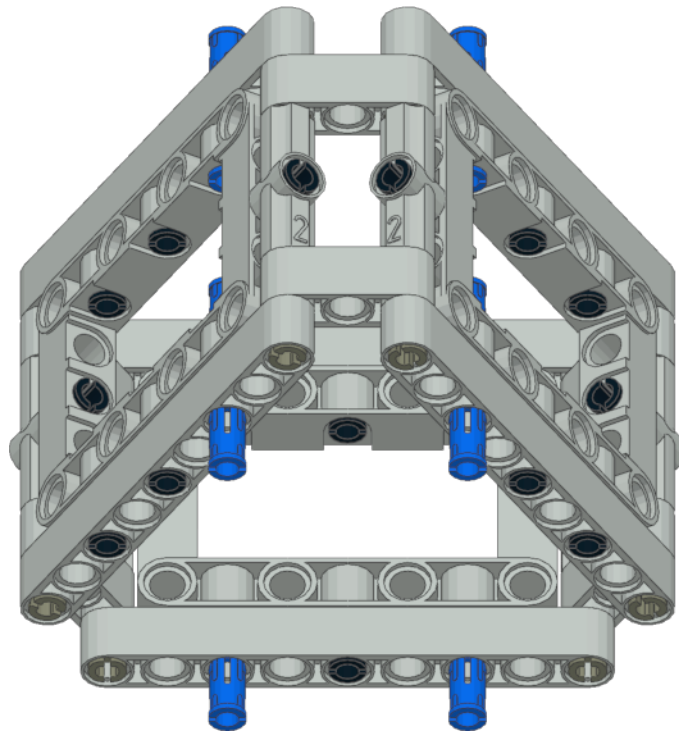
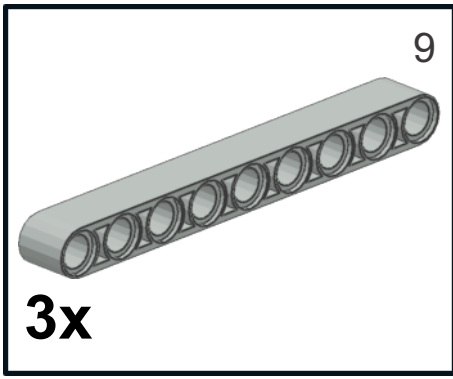
11



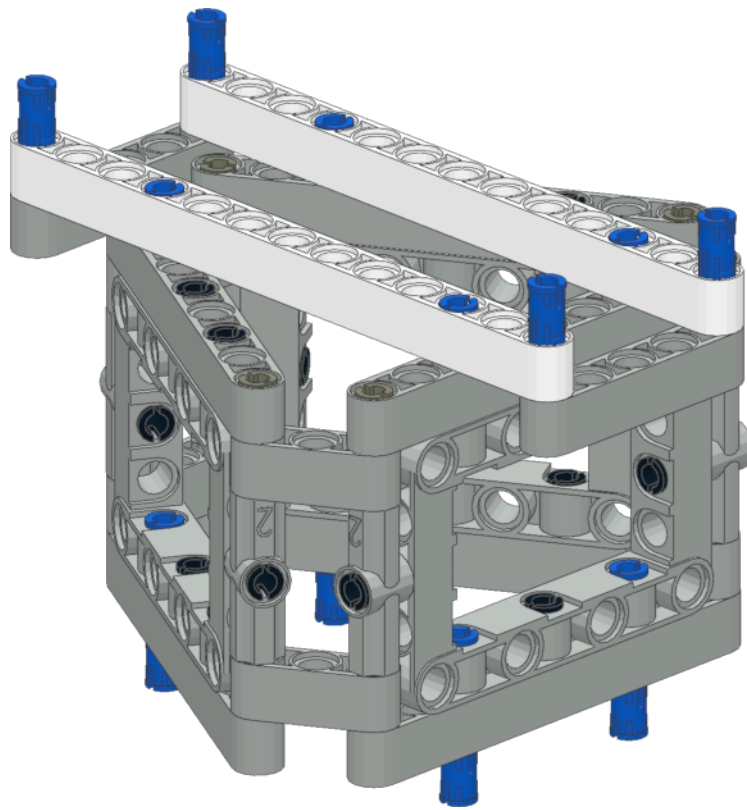
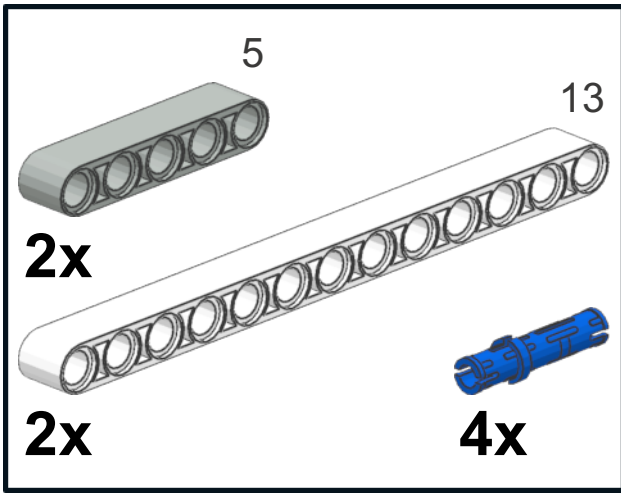
12



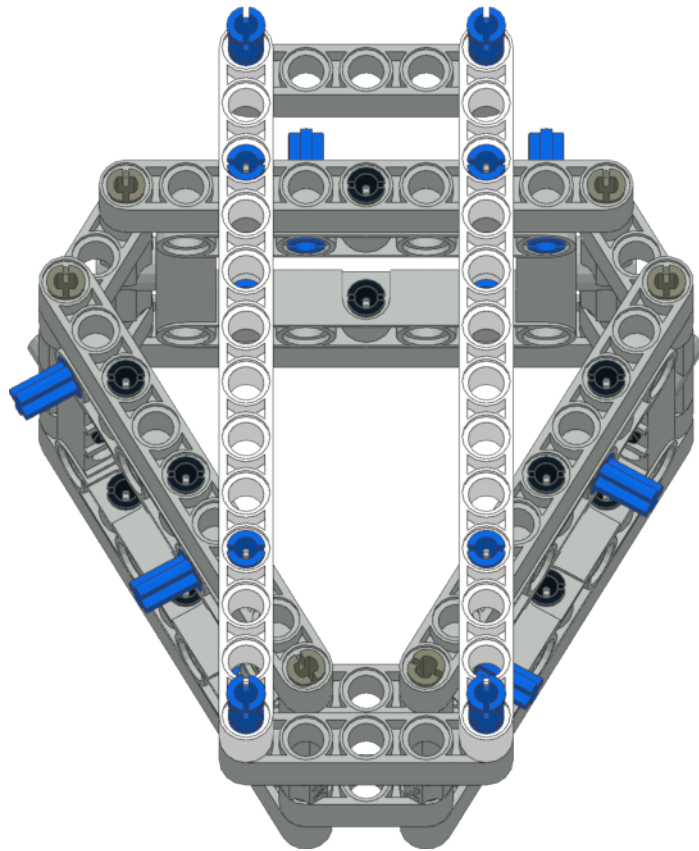
13



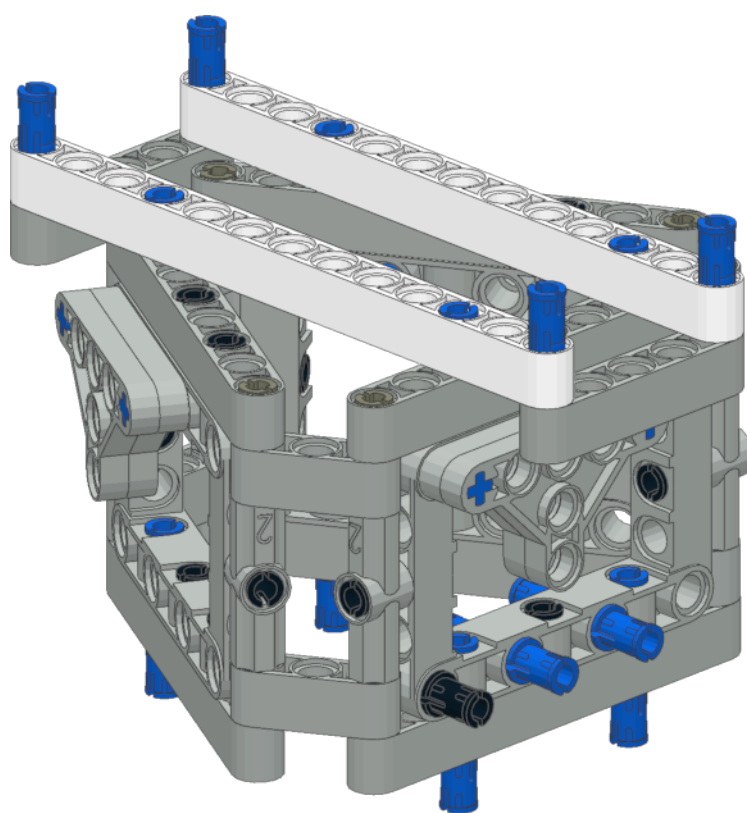
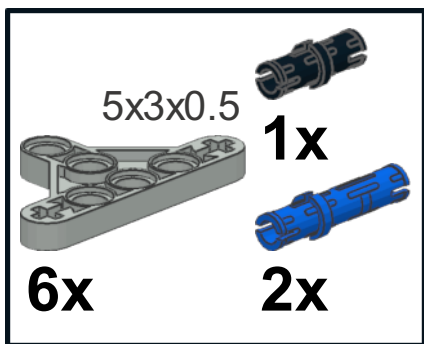
14



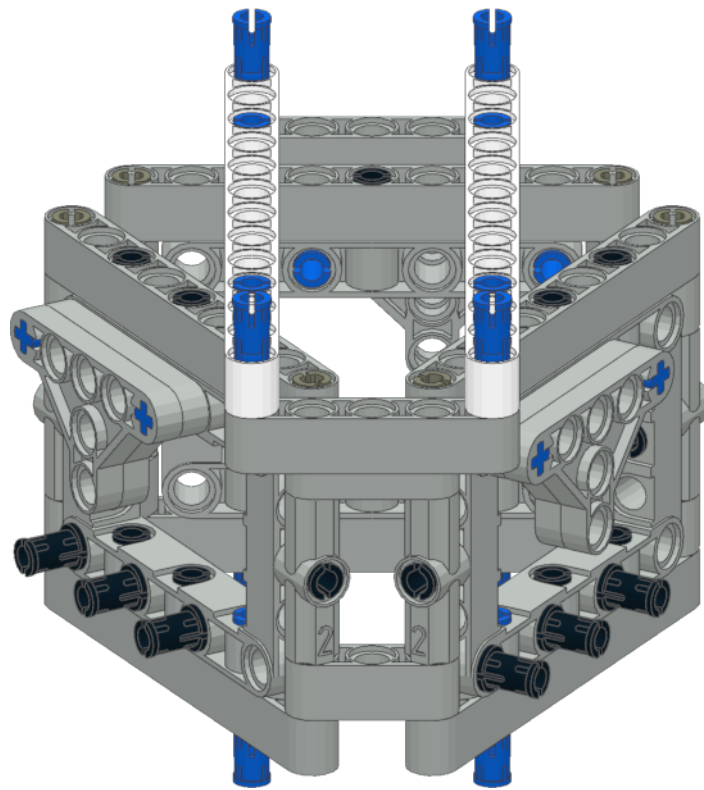
15

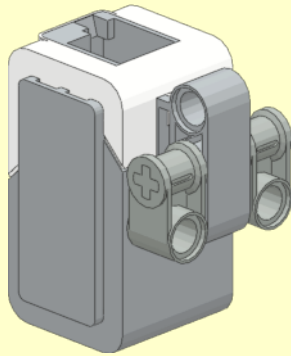
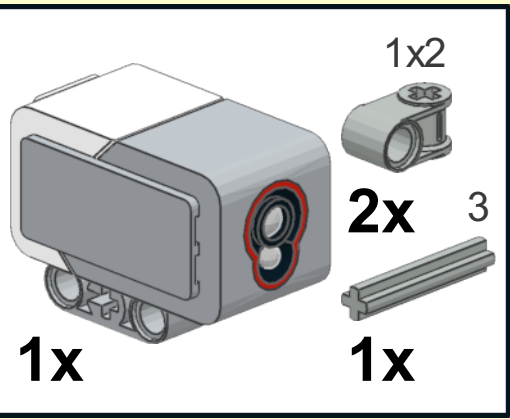


16

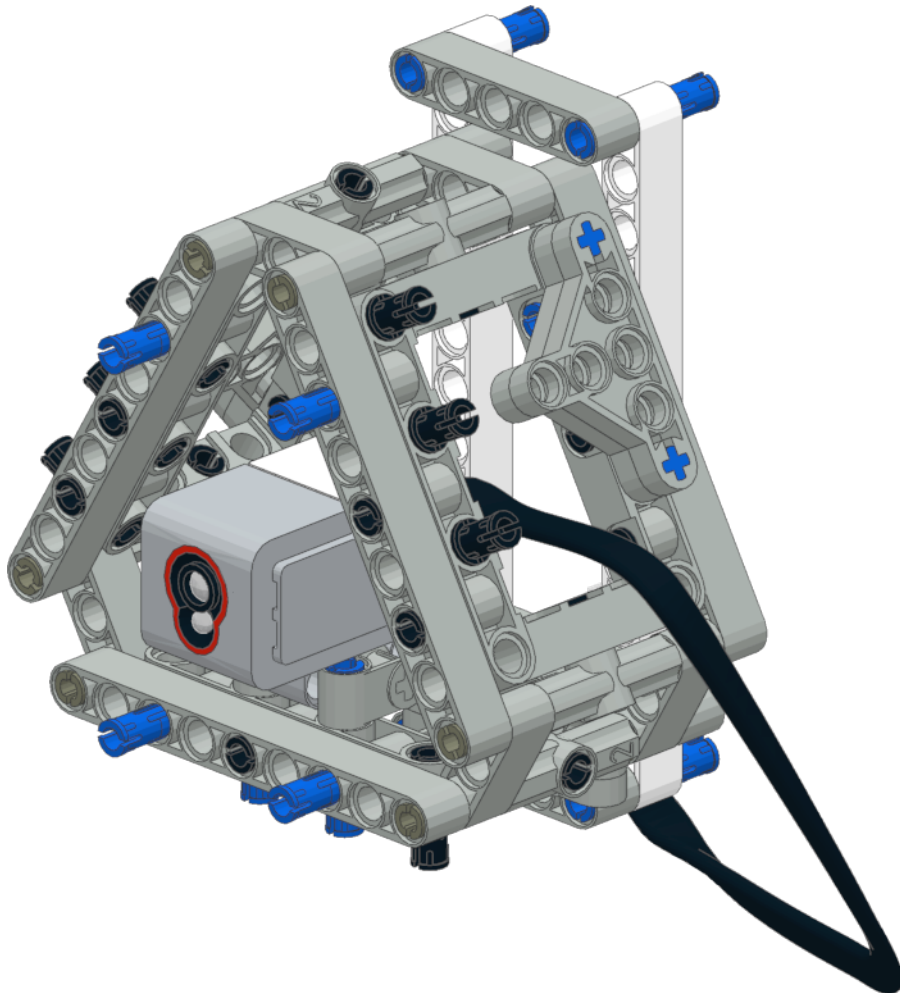
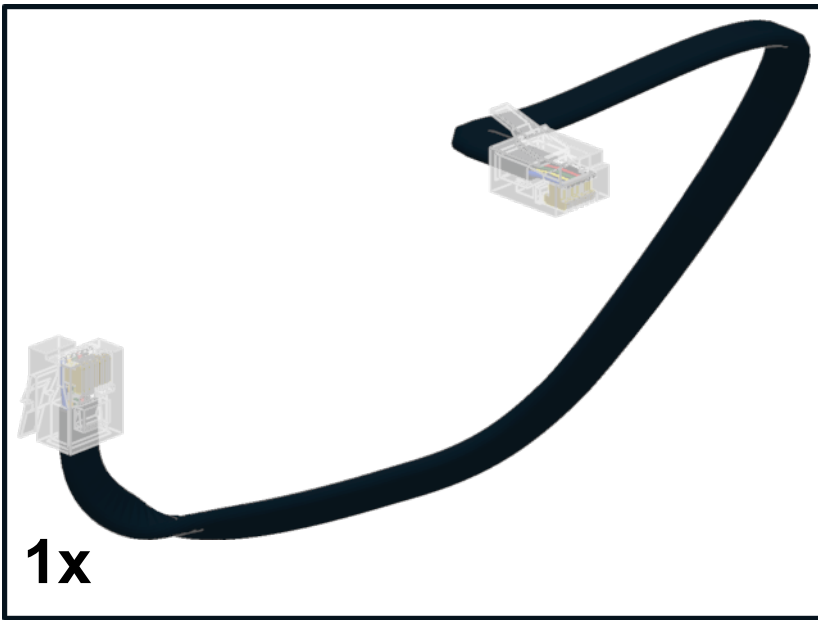


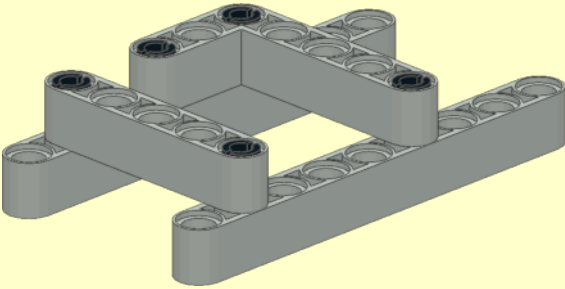
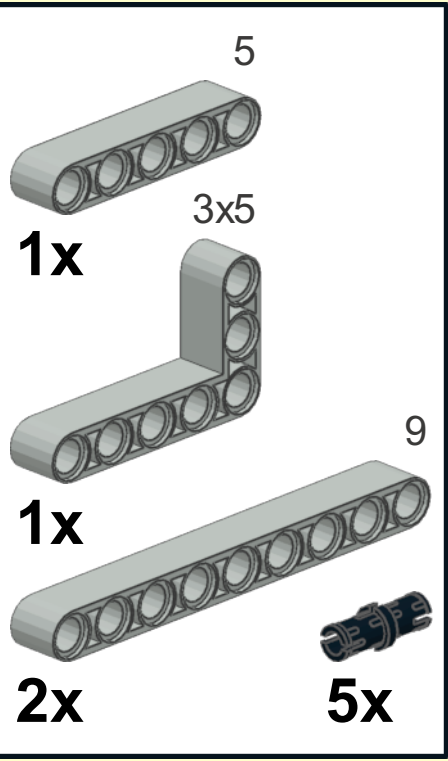
17

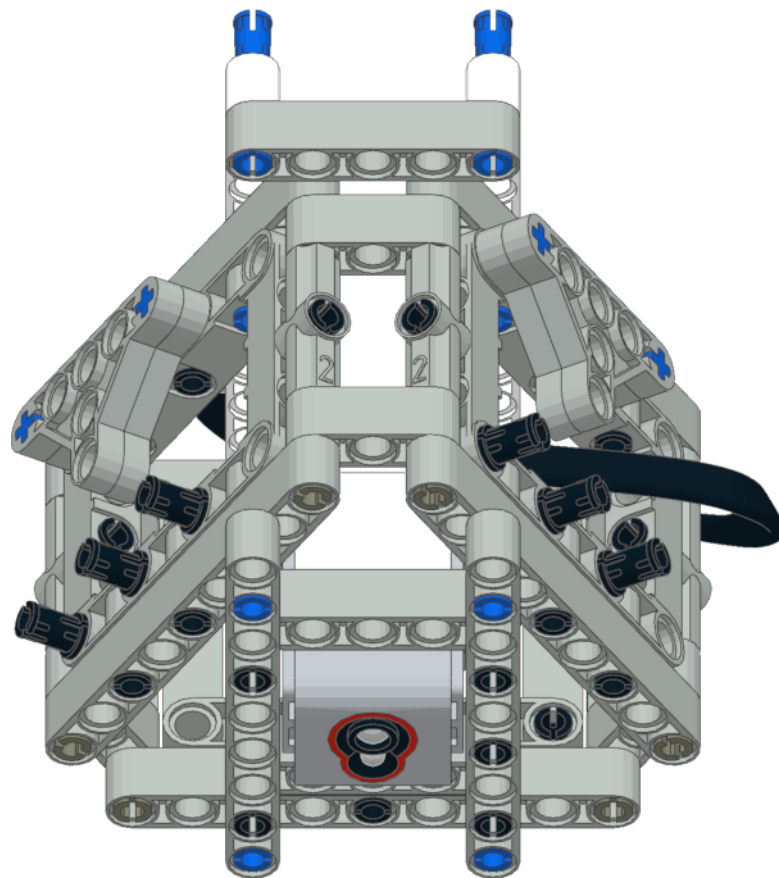




18



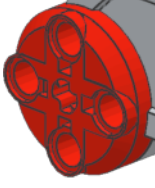




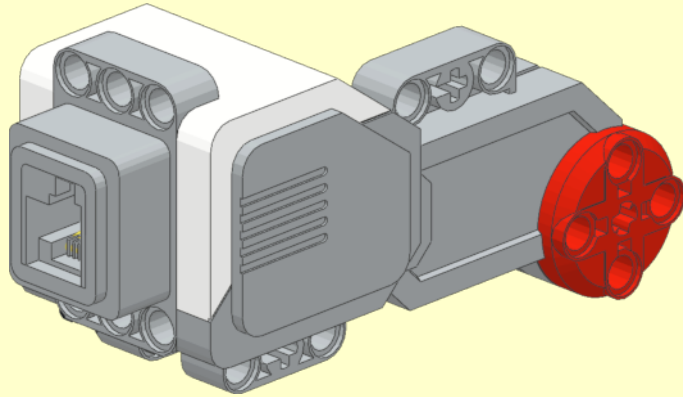
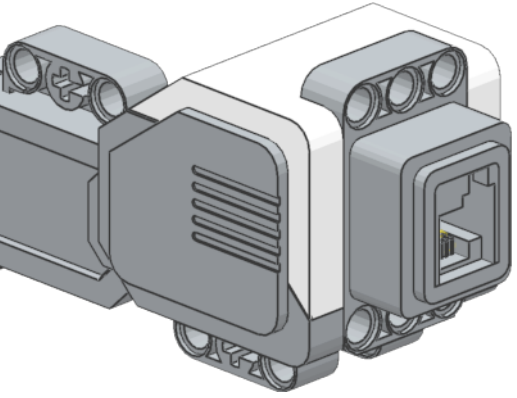
1



2x

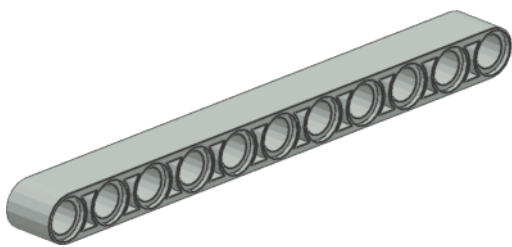


1x

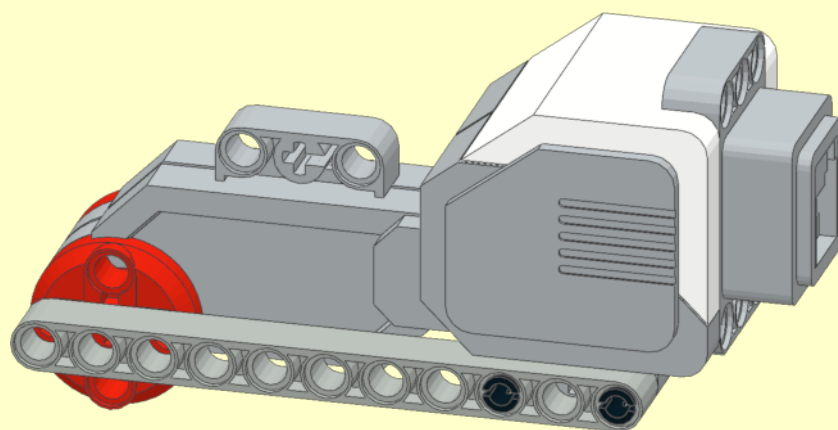


2

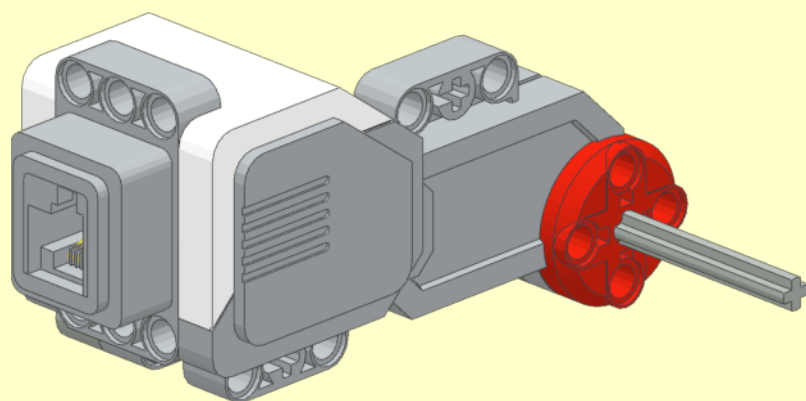
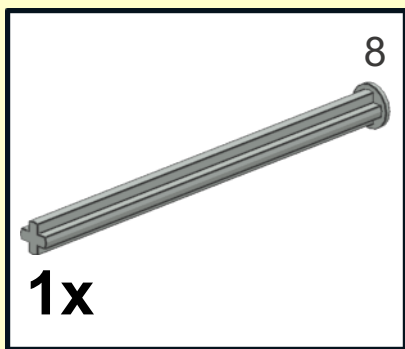
11




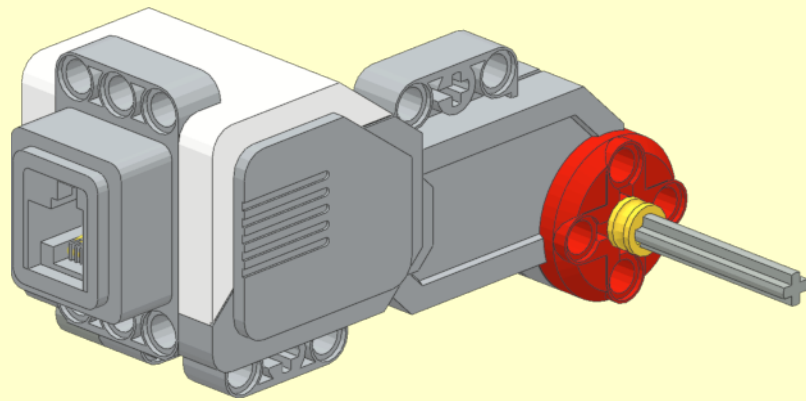
1x



3



4 
1x



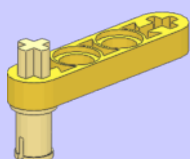
1

4x0.5



1x

1x

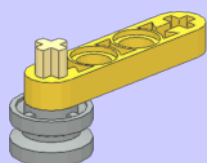


2

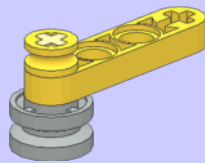
8x11.2



1x



3

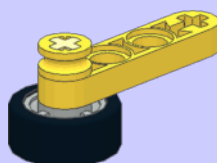


4

6/30x11

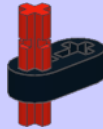
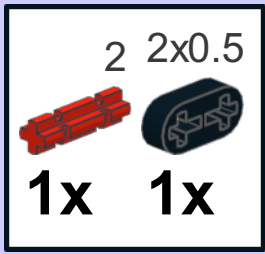


1x



x3

1



2

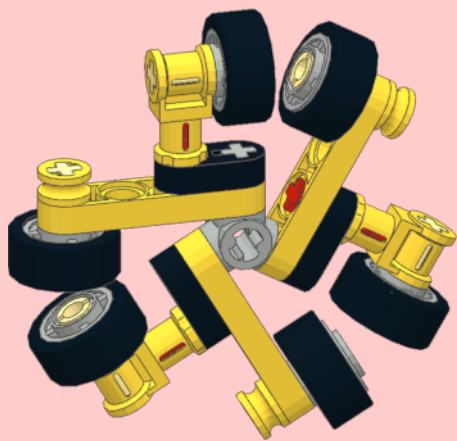


3

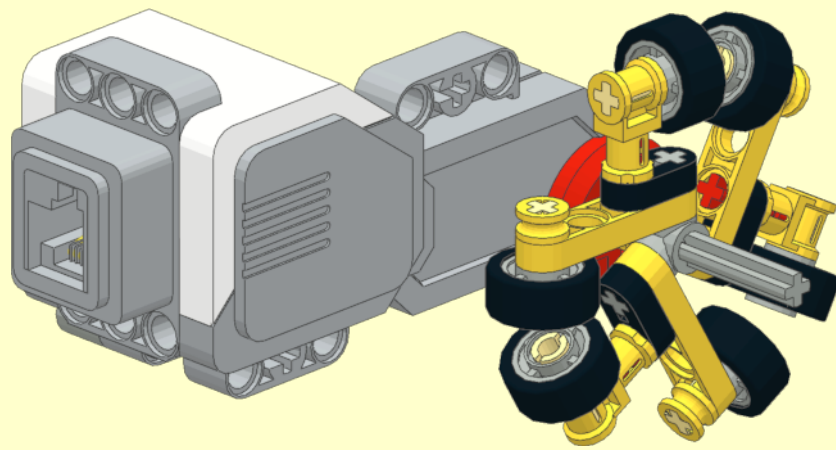
		
6/30x11	8x11.2	
1x	1x	1x




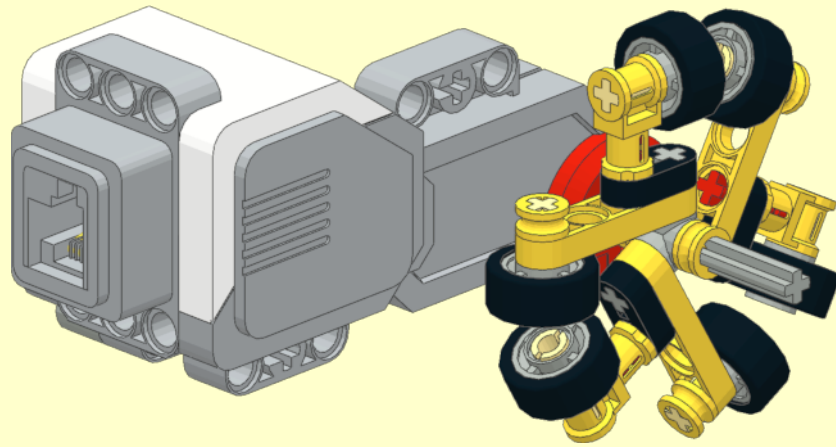
x3



x2

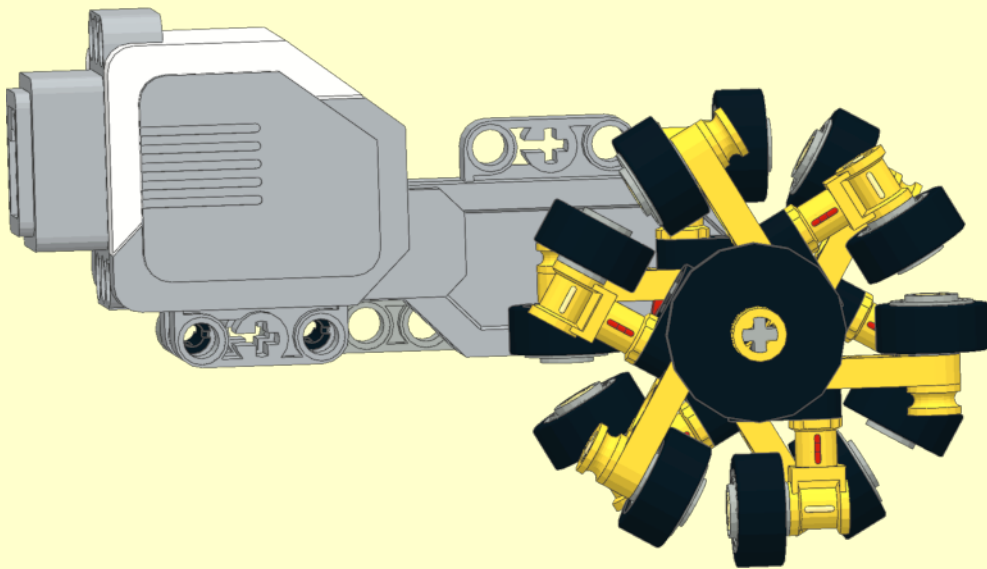


6 
1x



7

	
1x	1x



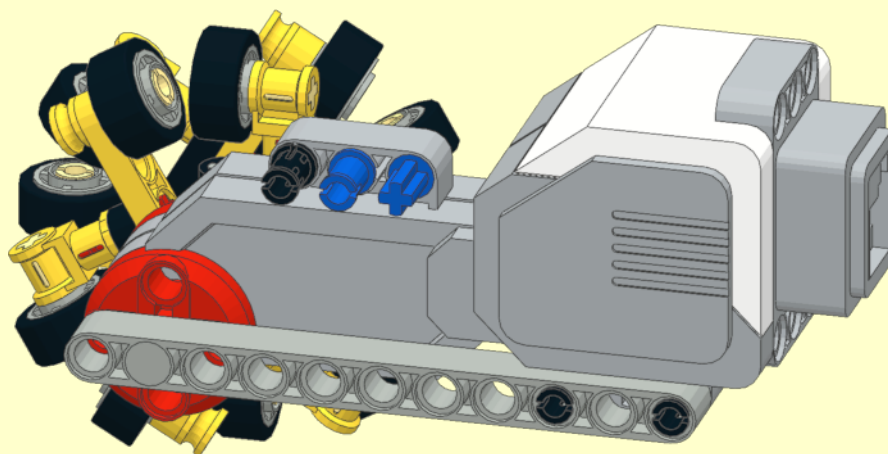
8



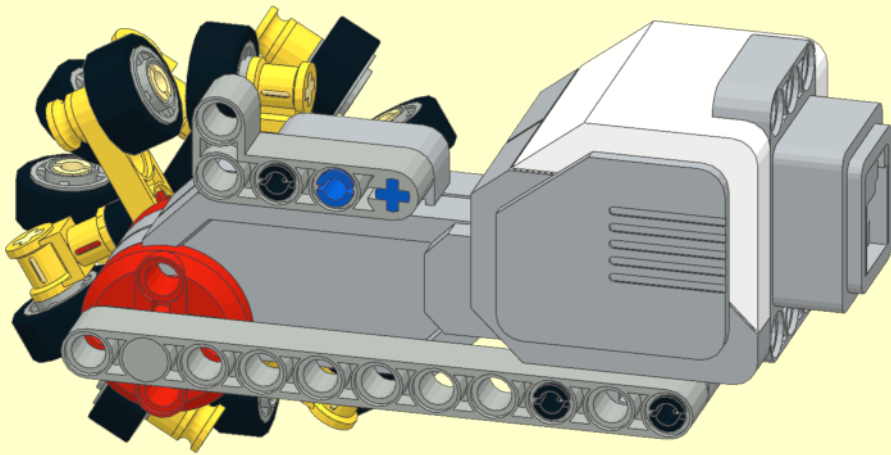
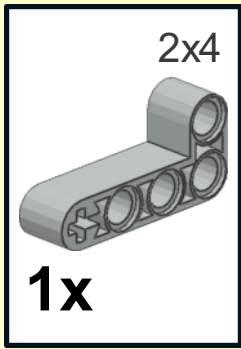
2x



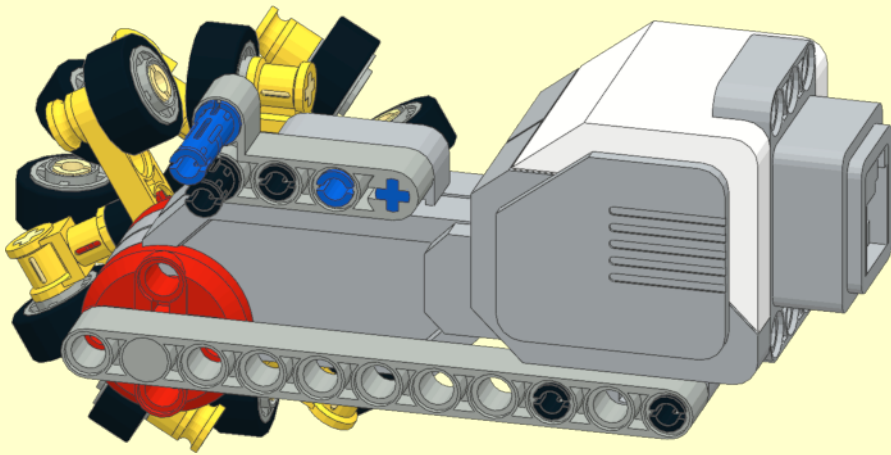
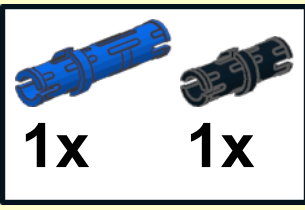
1x



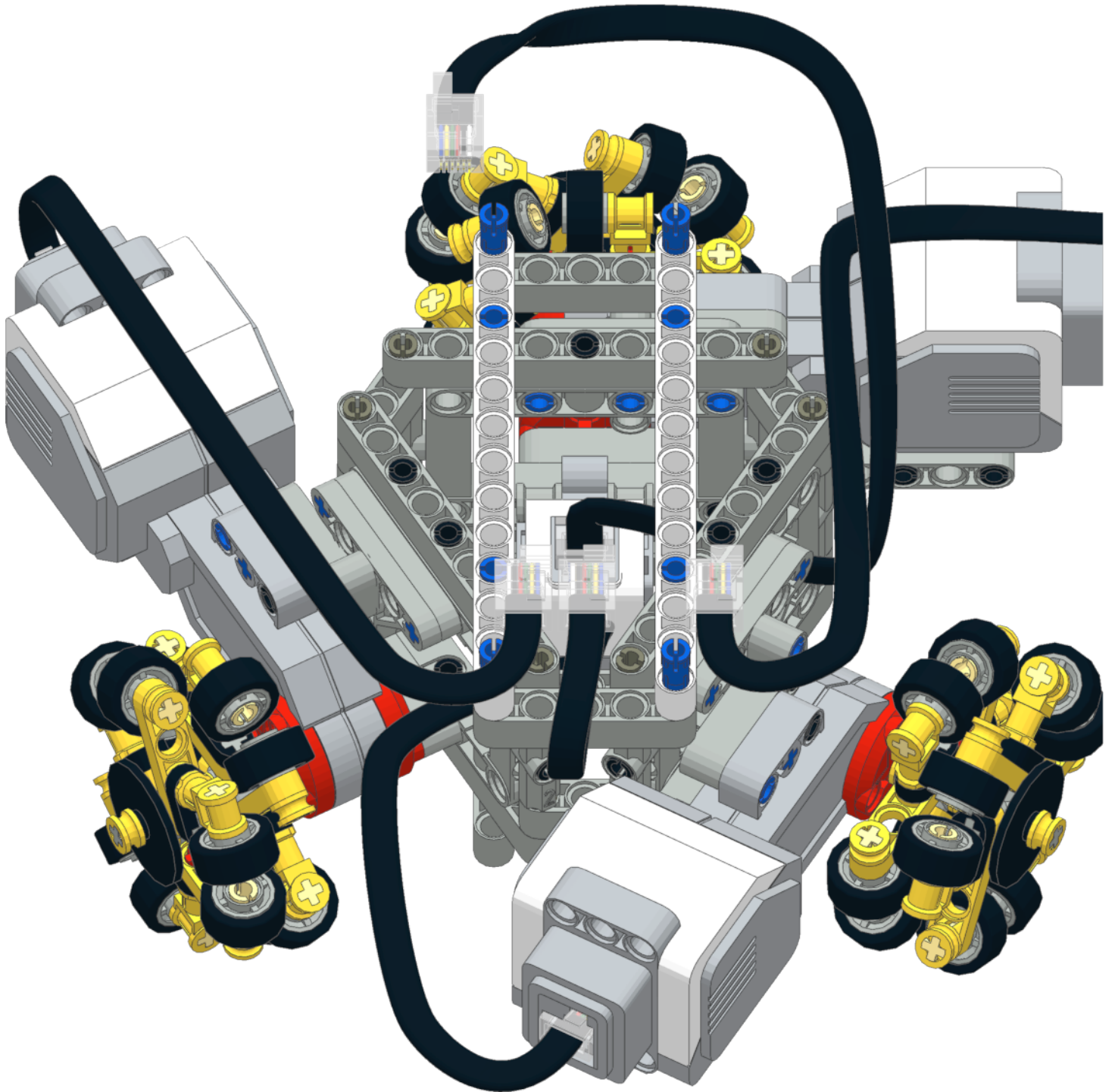
9



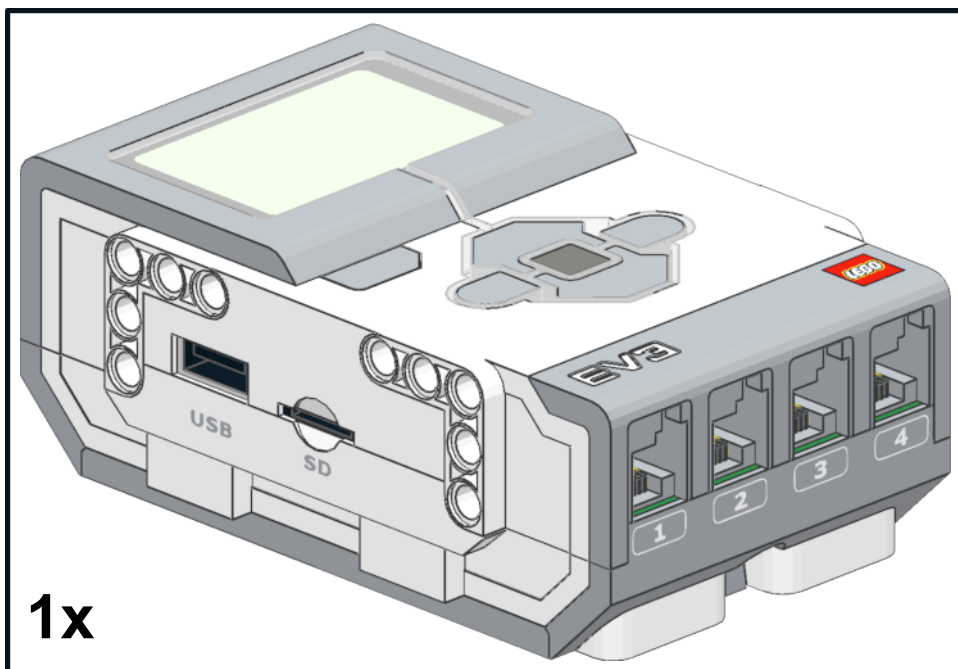
10



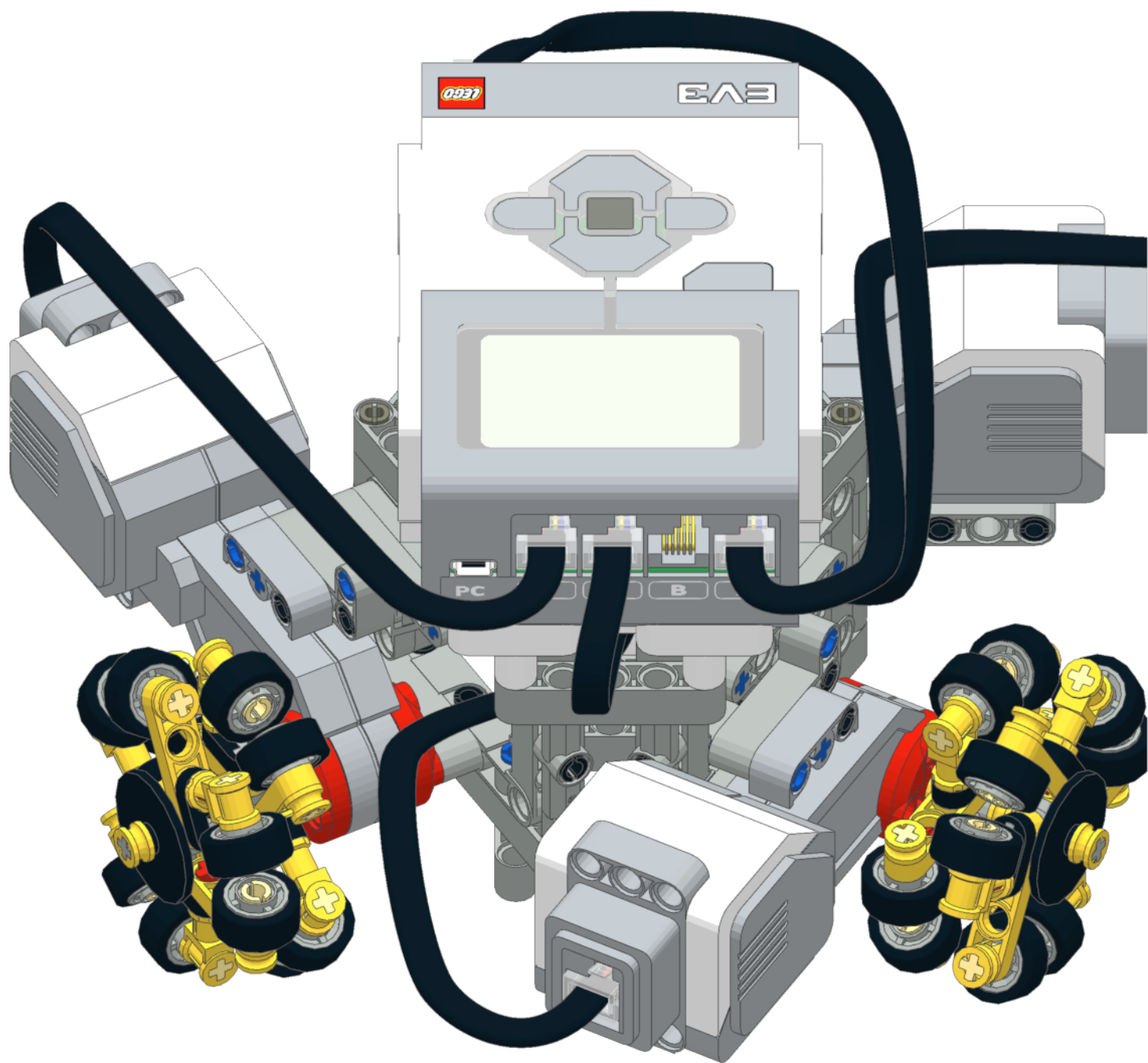
x3



21



1x

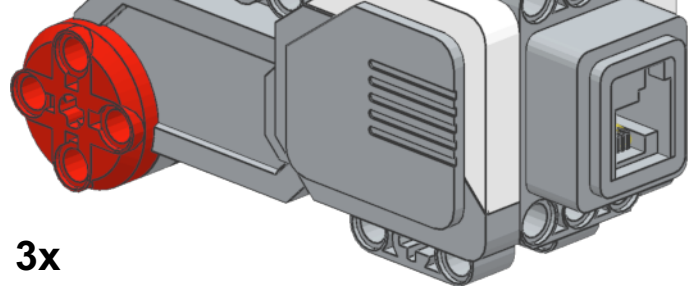




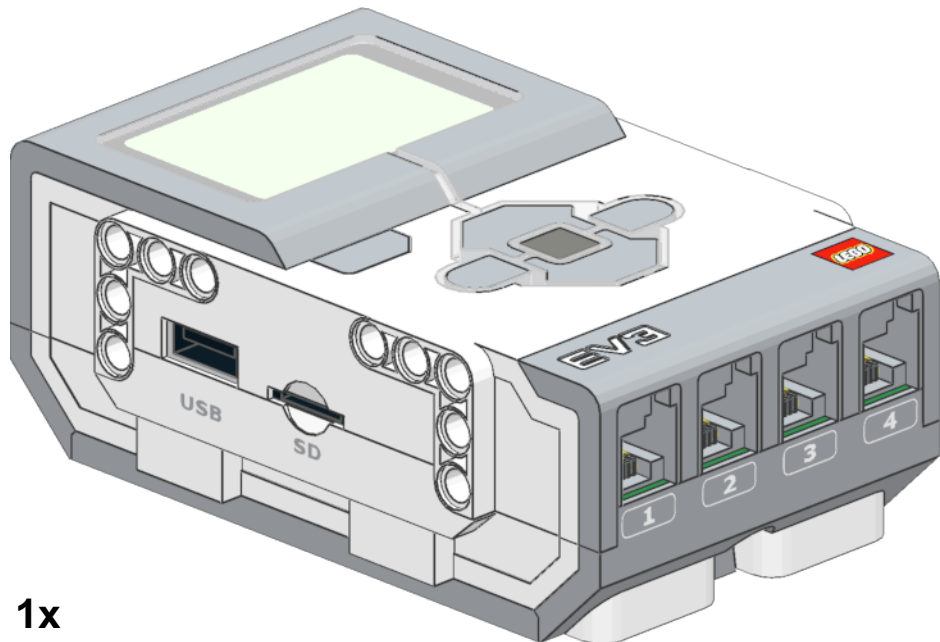
18x



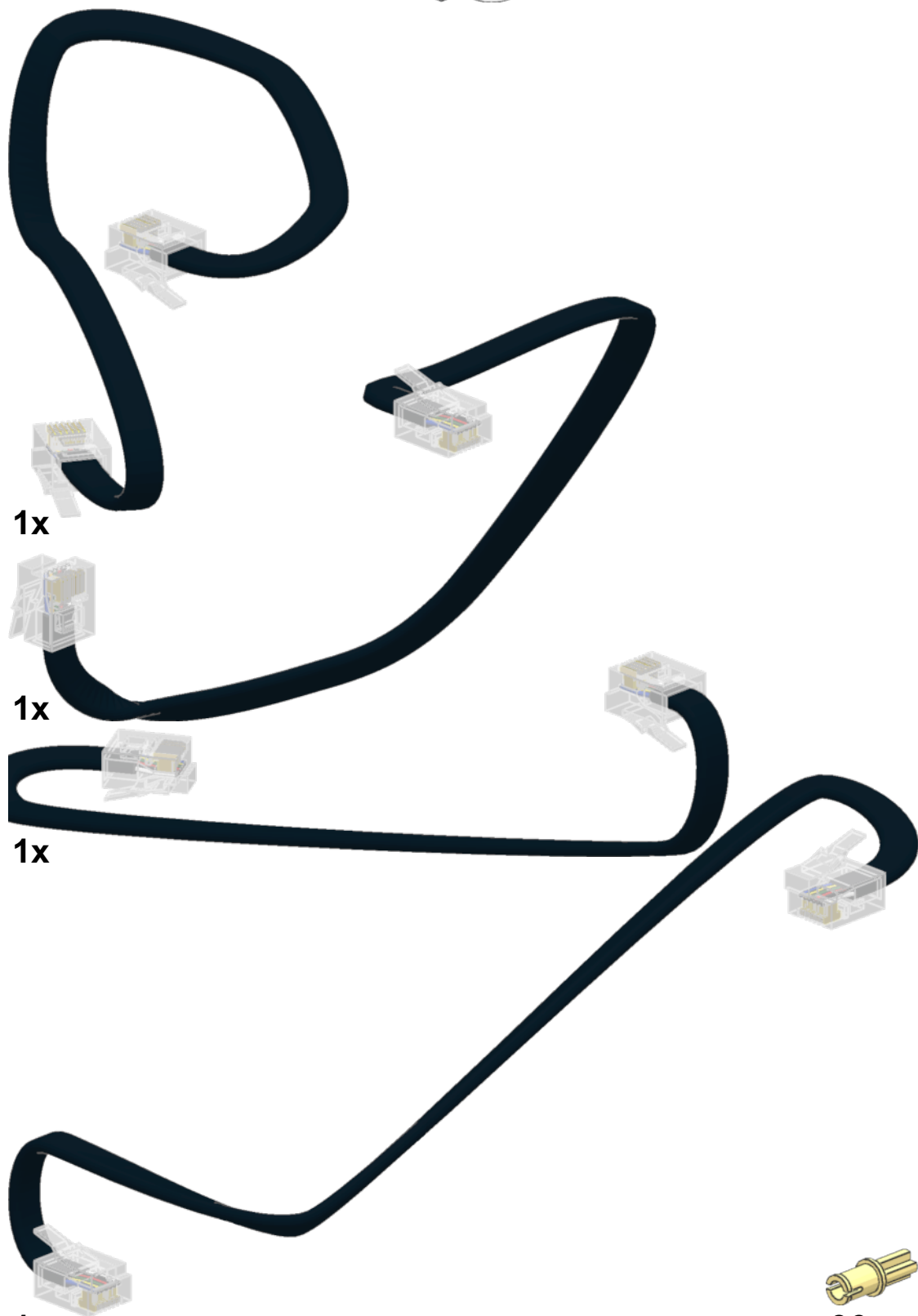
3x



3x



1x

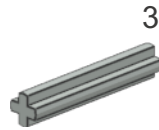


1x

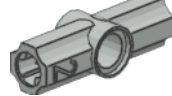
1x

1x

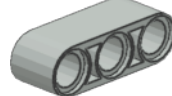
1x



1x



6x



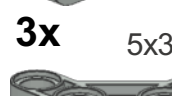
6x



6x



3x



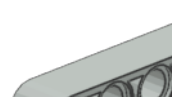
6x



3x



1x



3x



8x



3x



3x



12x



3x



12x



27x



1x



36x



2x

3

#2

3

2x4

5x3x0.5

5

3x5

8

9

7x5

11

2x0.5



18x



40x

6/30x11



36x



12x



17x 2



18x



8x11.2



36x

1x2



2x

13

4x0.5



18x

1x2