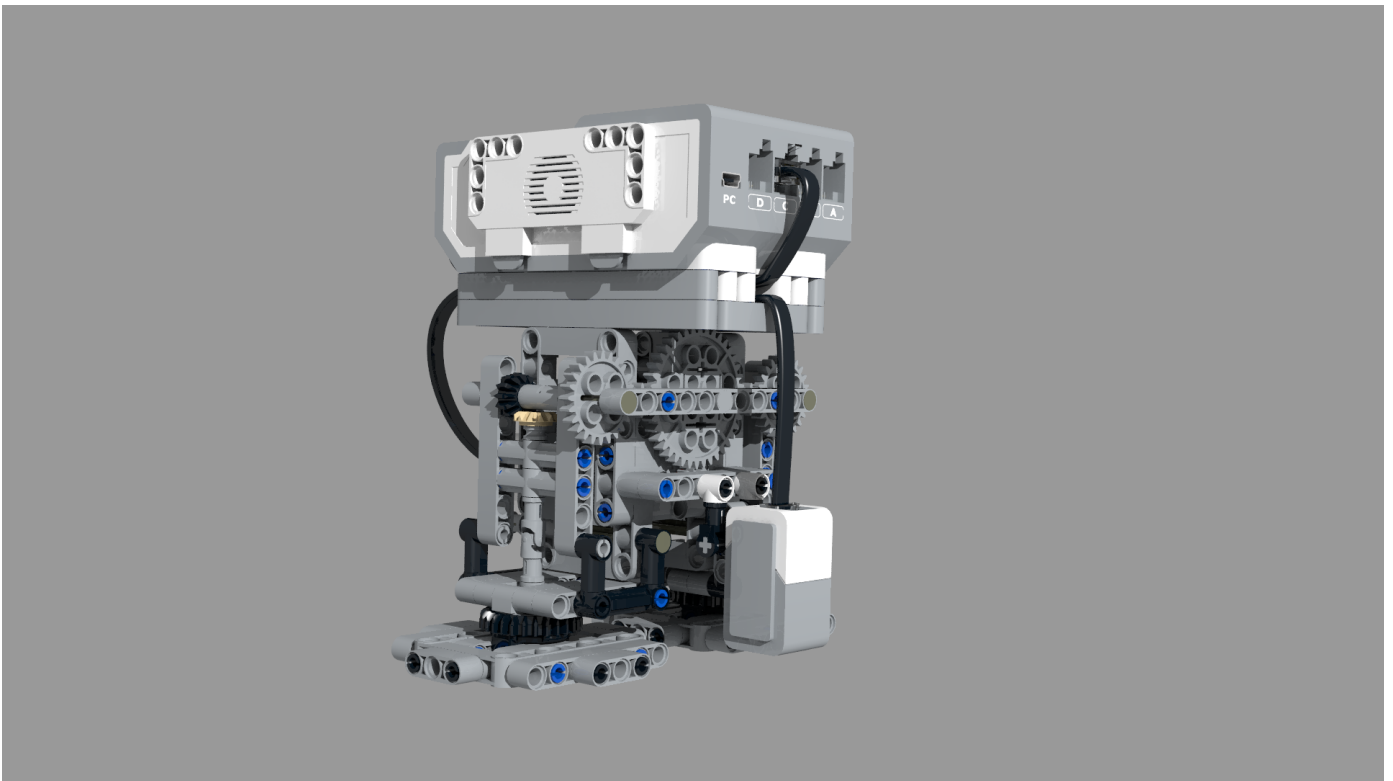


# LINE WALK3R v2

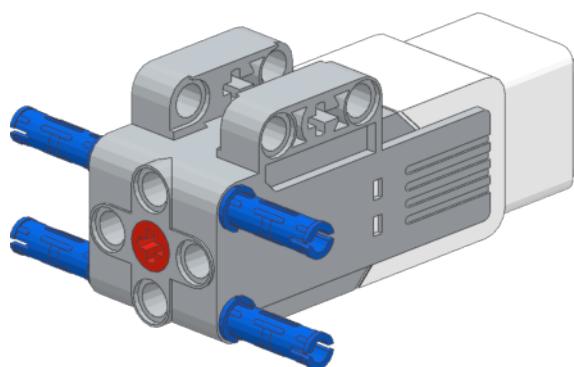
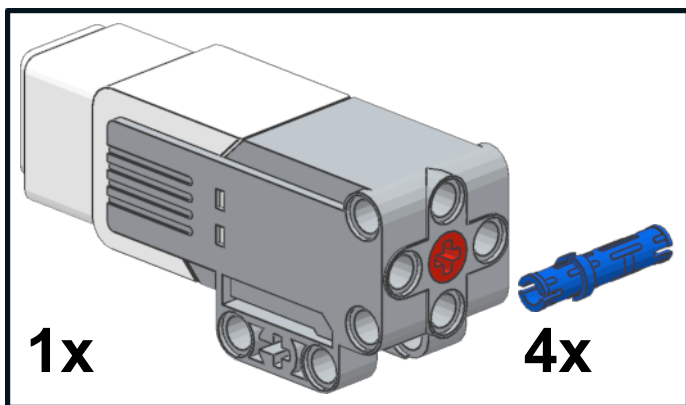
by

**Stu Nicholls**

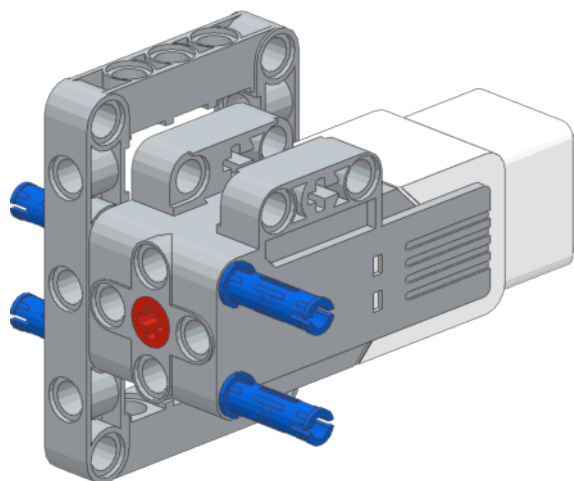
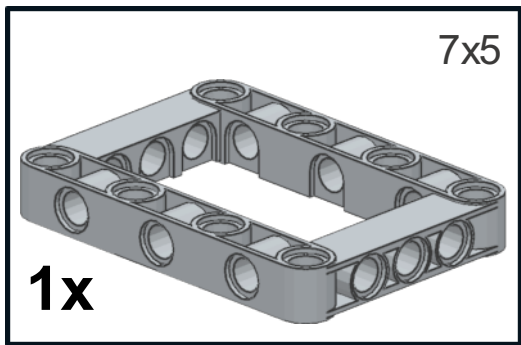
<http://www.stunicholls.com>




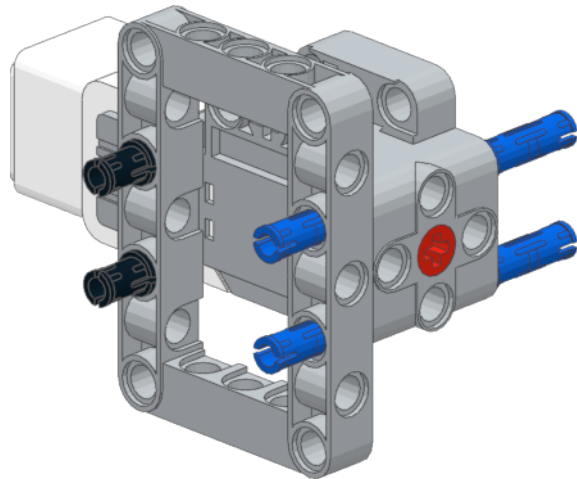
1



2



**3**  
  
**2x**

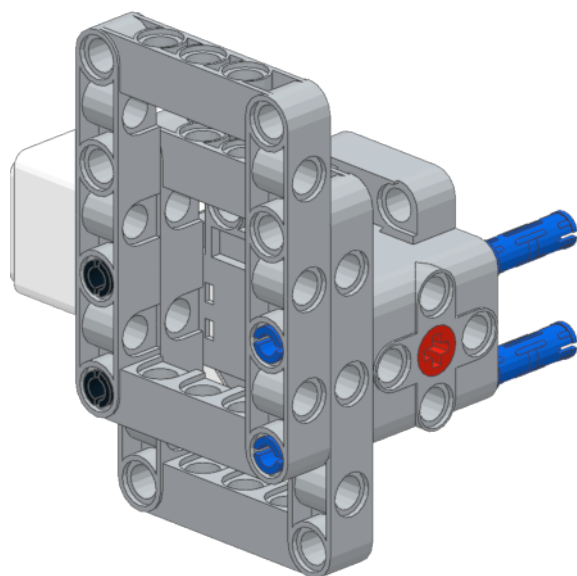
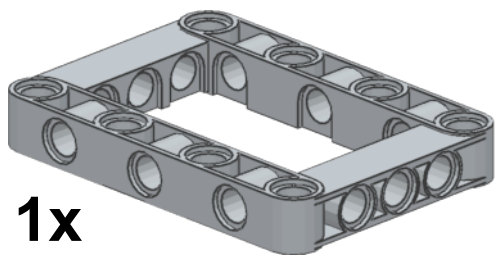


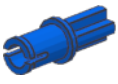


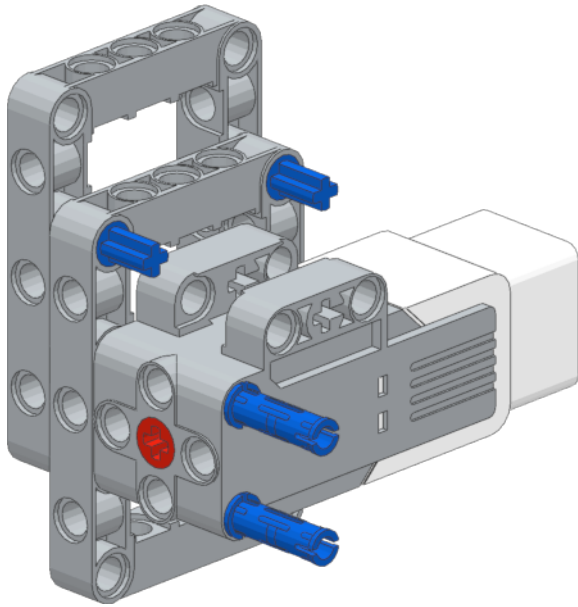
4

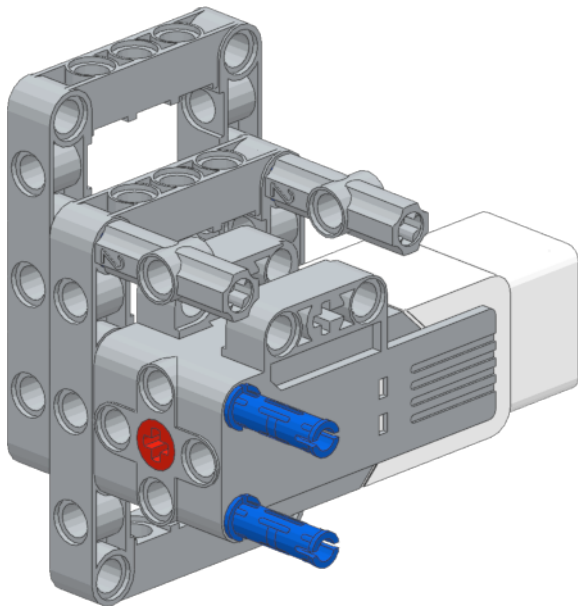
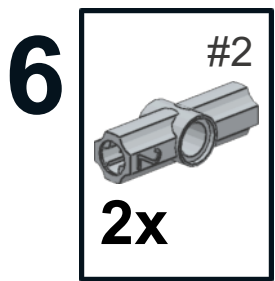
7x5

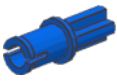
1x

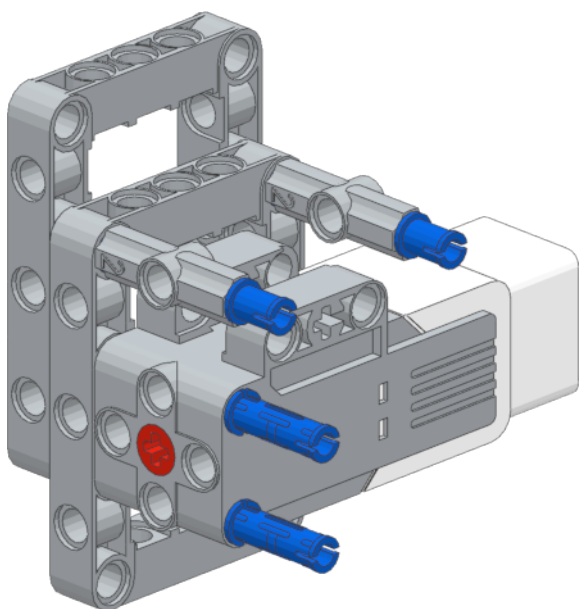


5   
2x





7   
2x



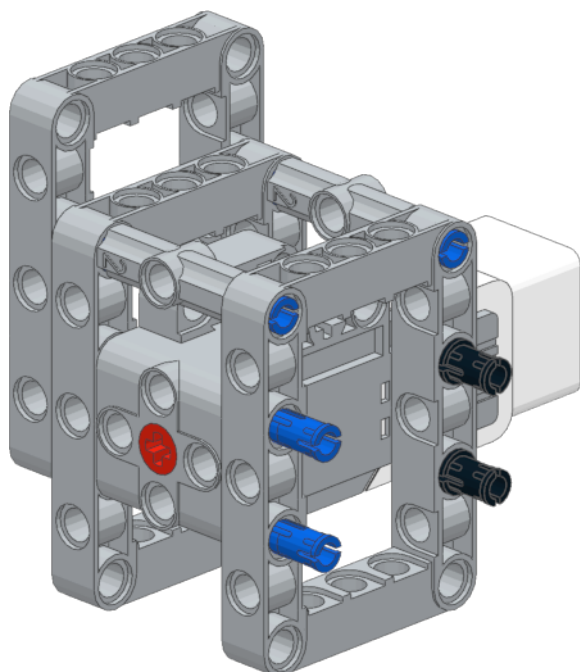
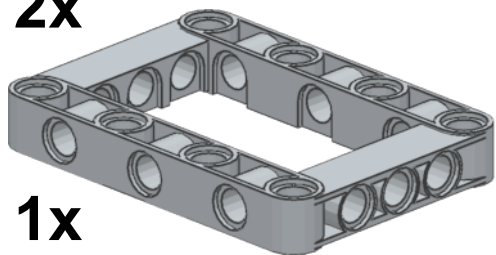
8



2x

7x5

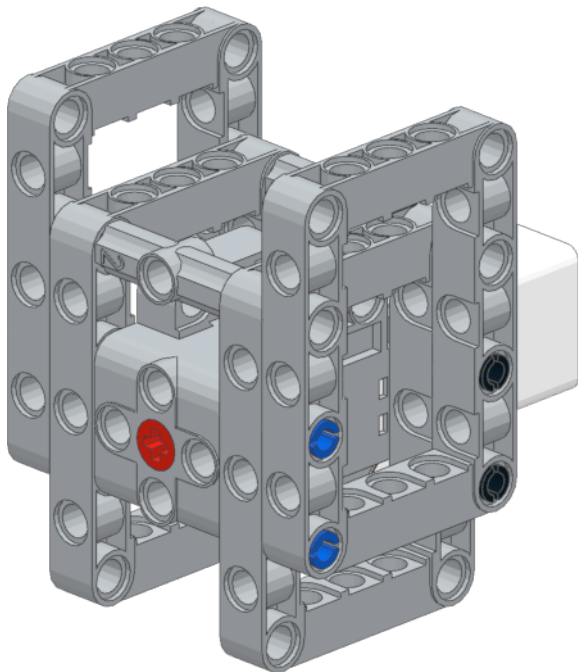
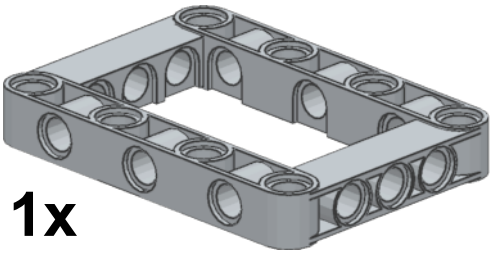
1x



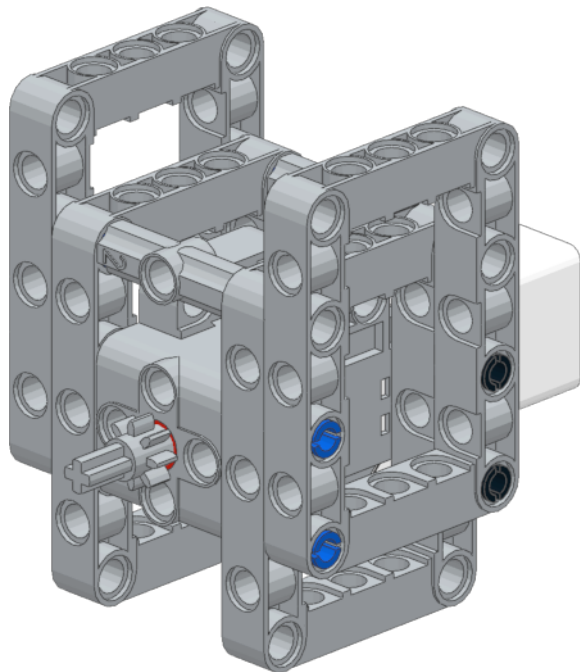
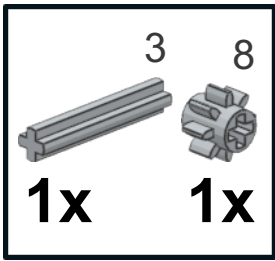
9

7x5

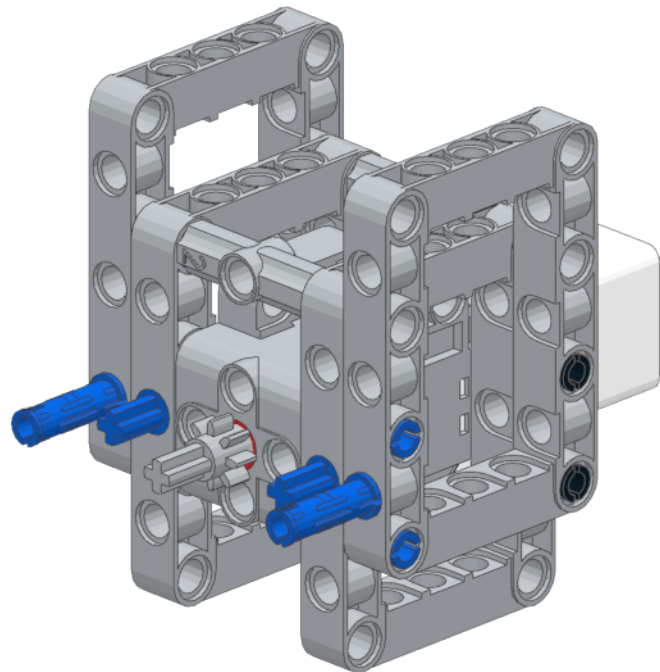
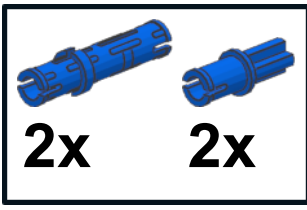
1x



10

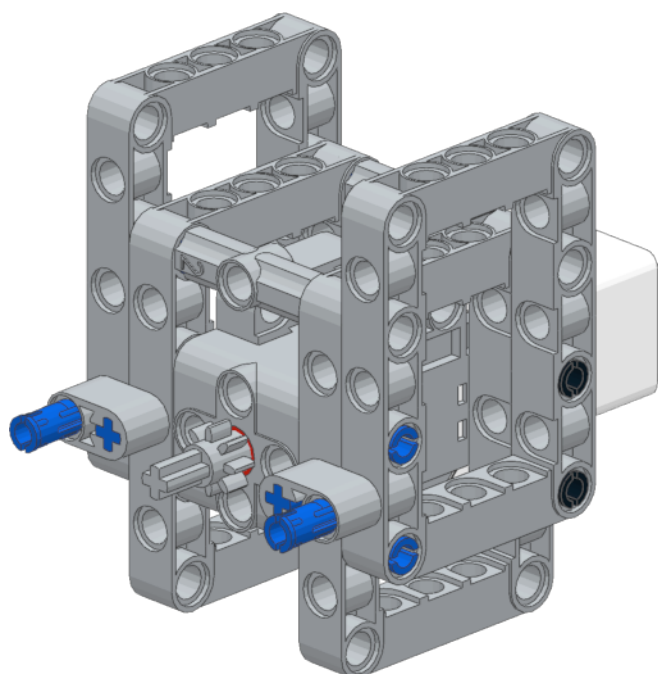


11

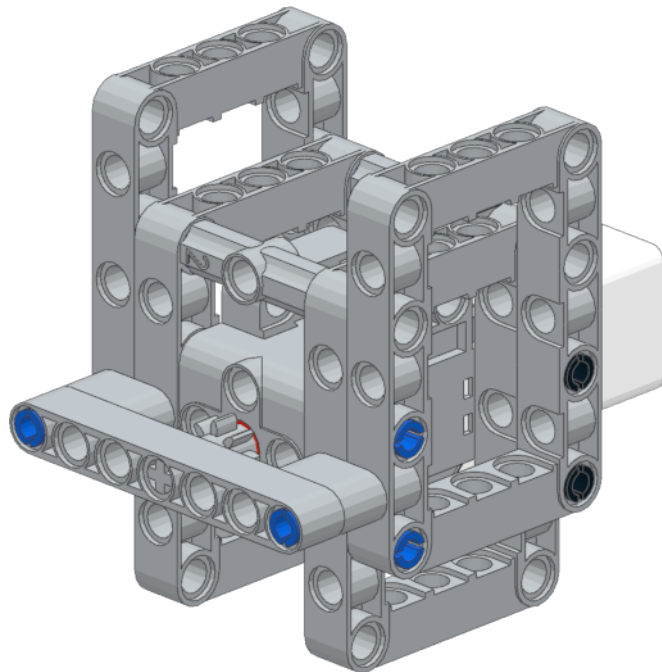
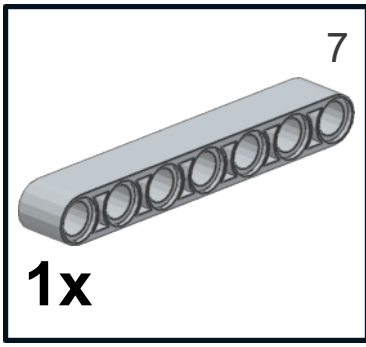




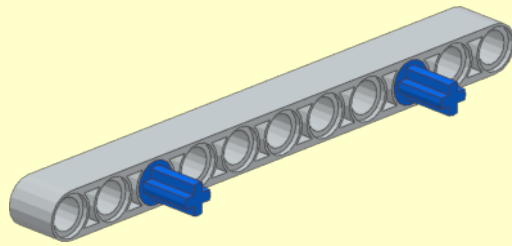
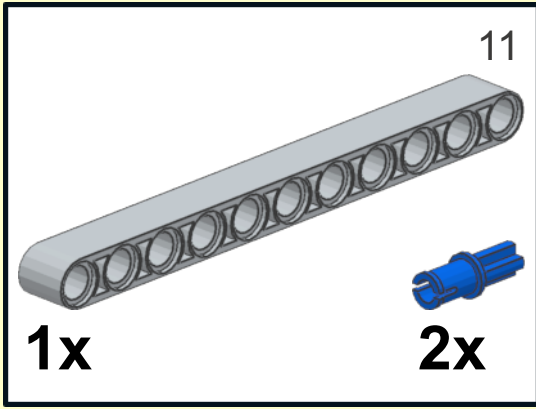
12



13



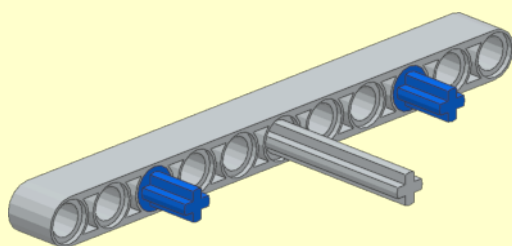
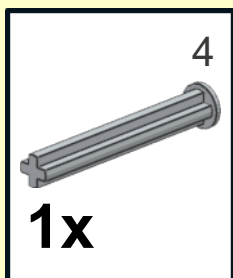
1



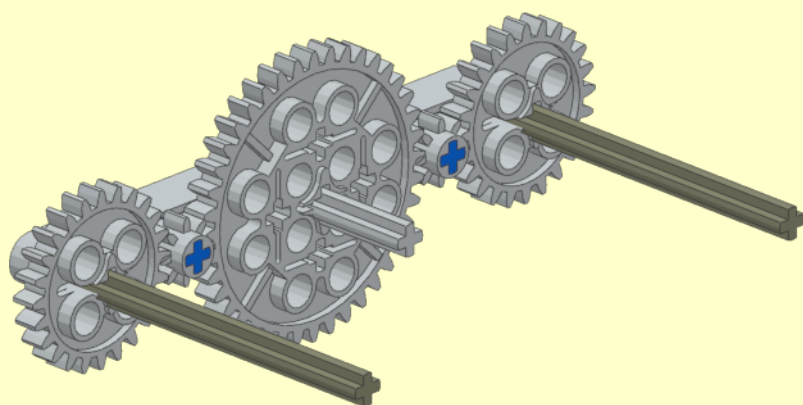
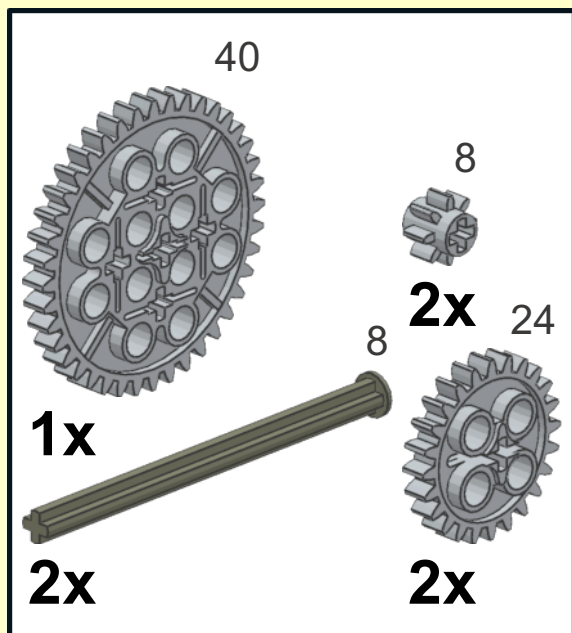
**NOTE**

**These are friction pins**

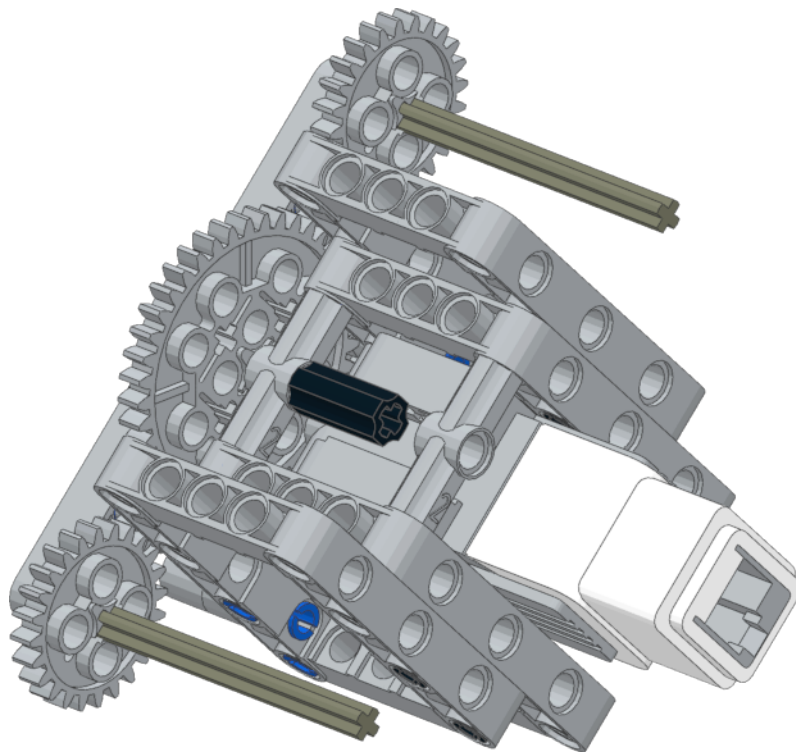
2



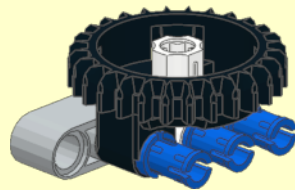
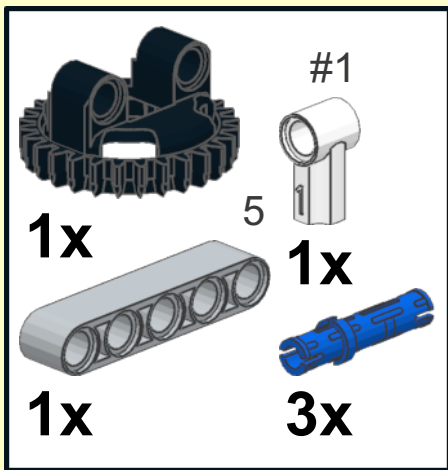
3



14



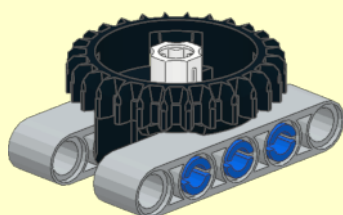
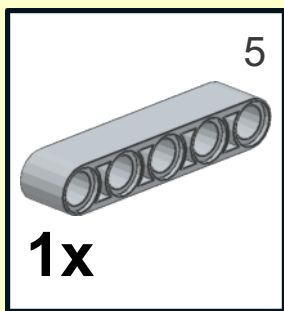
1



## NOTE

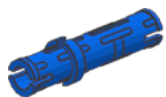
**TWO of these sub assemblies required**

2





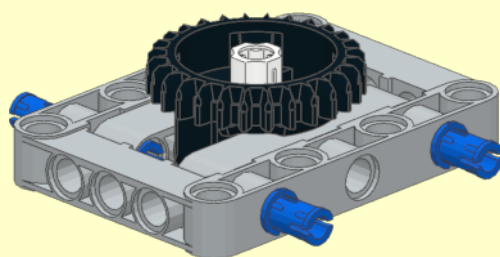
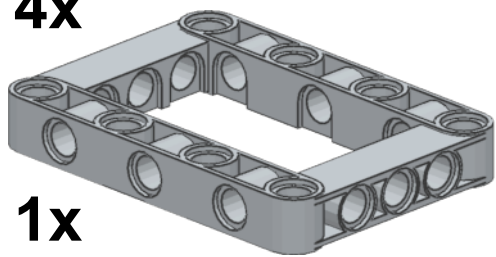
3



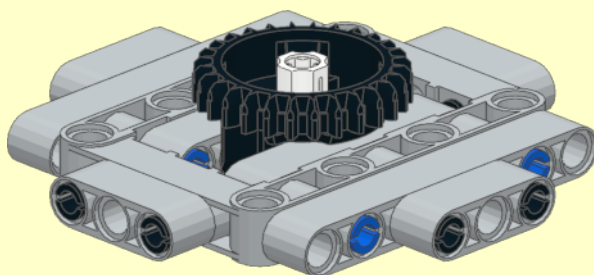
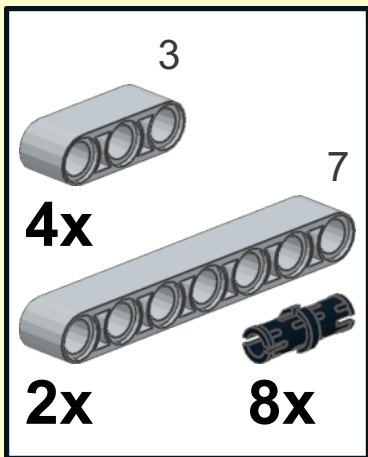
4x

7x5

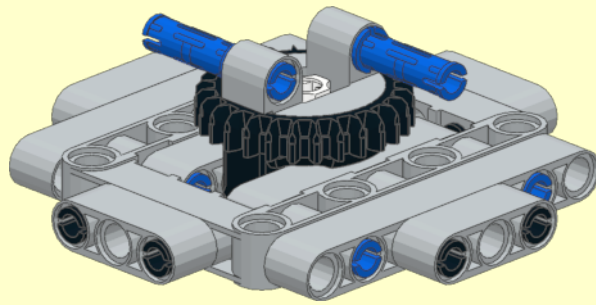
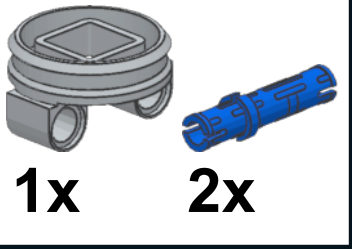
1x



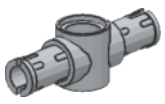
4



5

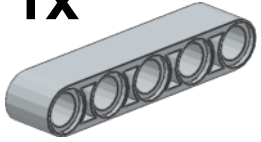


6

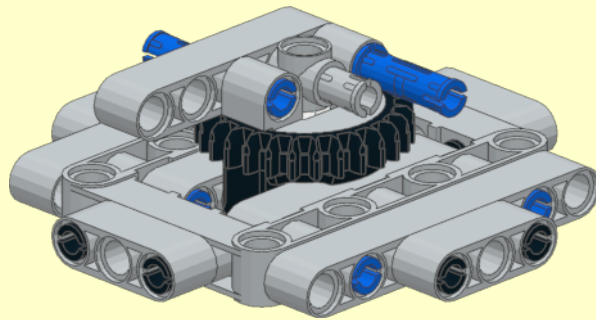


1x

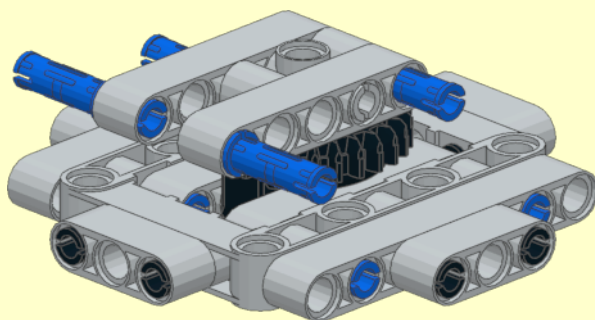
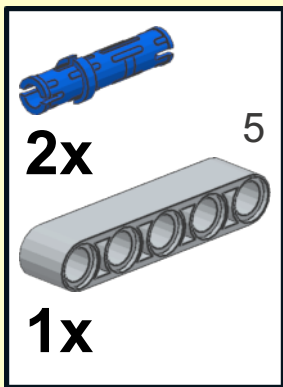
5



1x



7

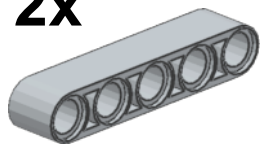


8

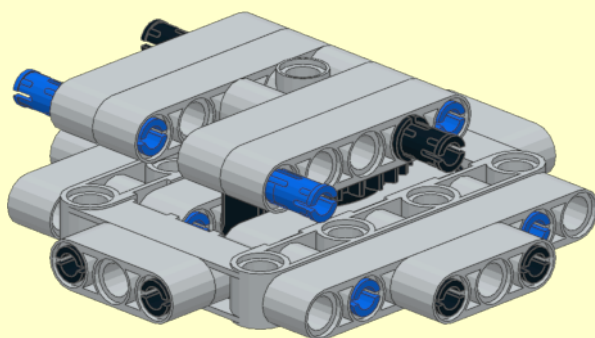


2x

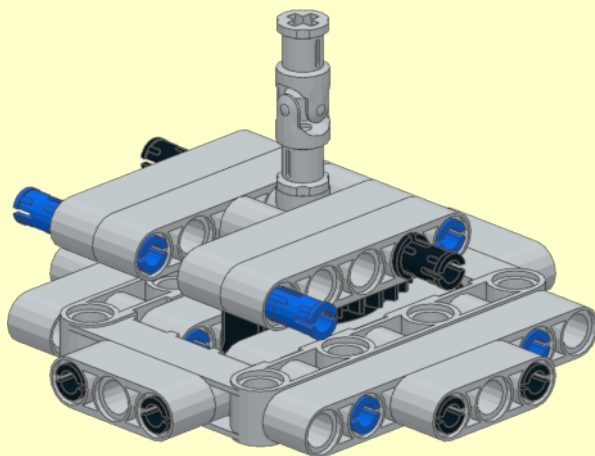
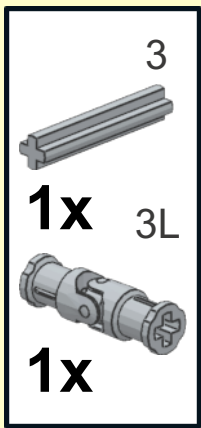
5



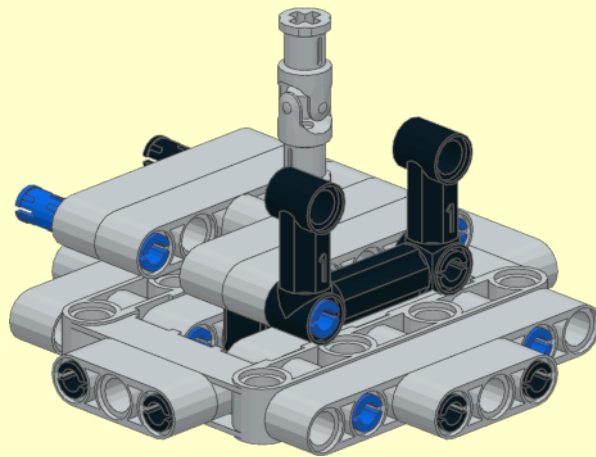
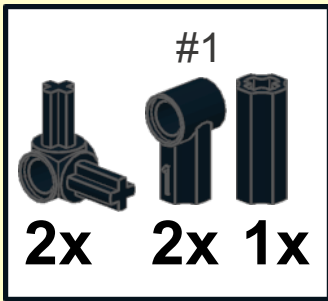
2x



9

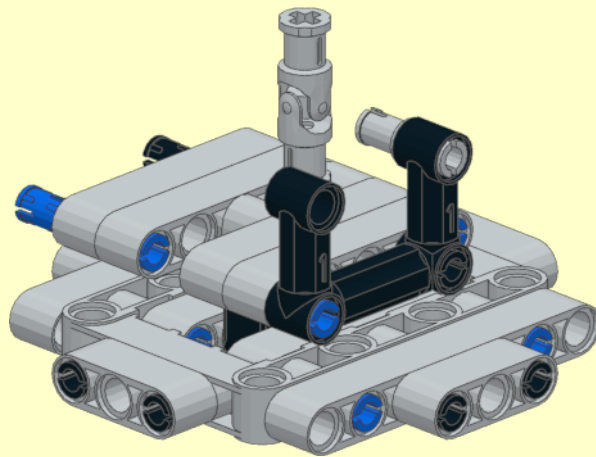


10





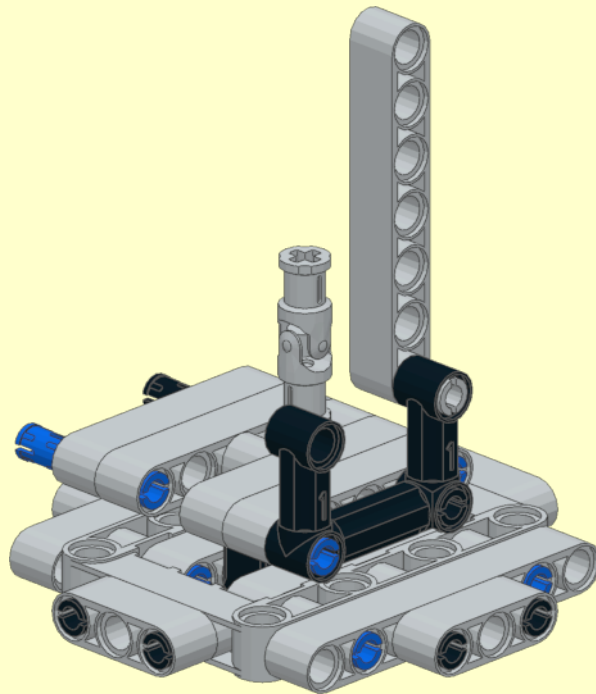
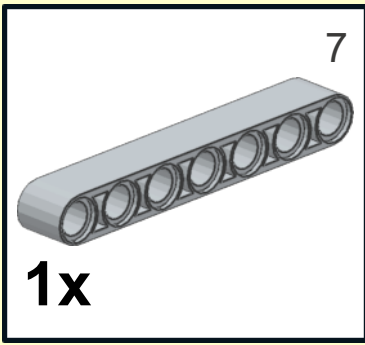
11



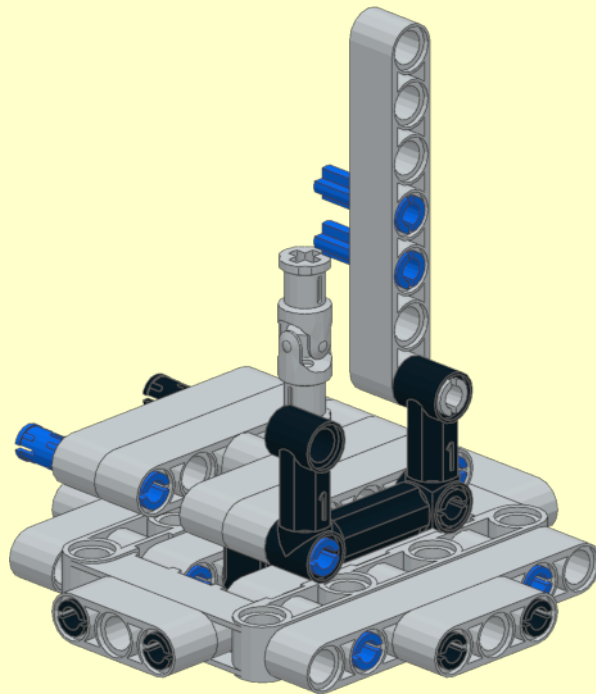
**NOTE**

**These are frictionless pins**

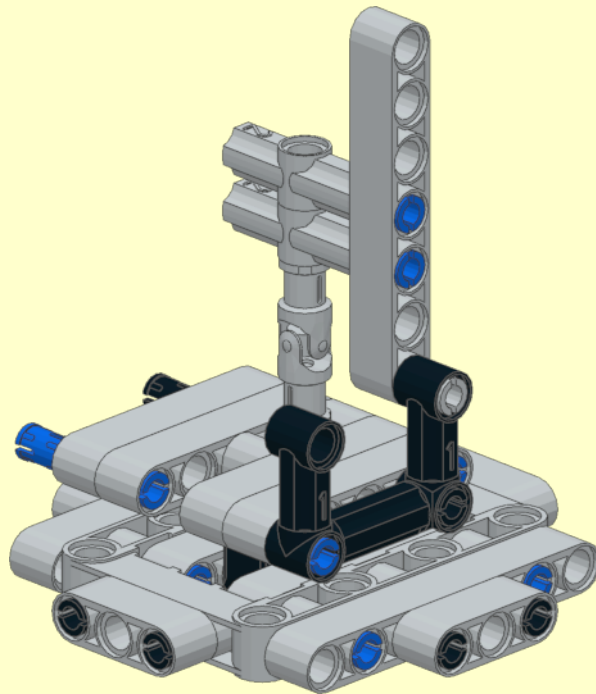
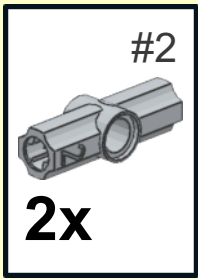
12

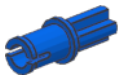


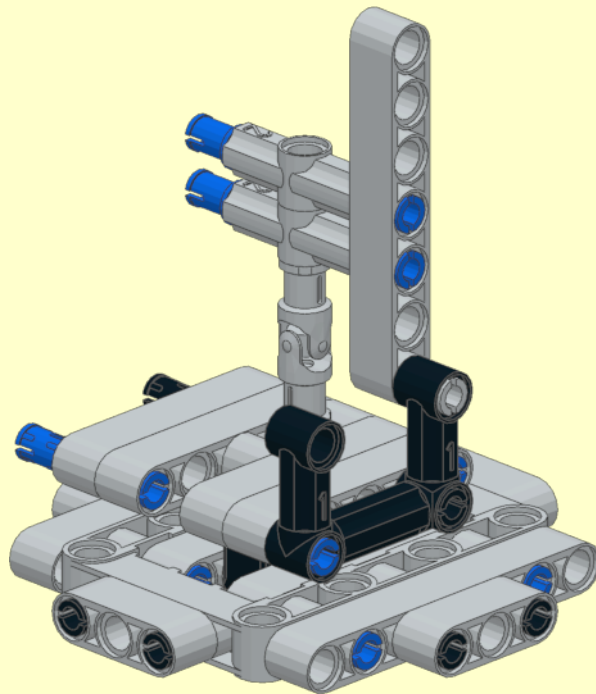
13



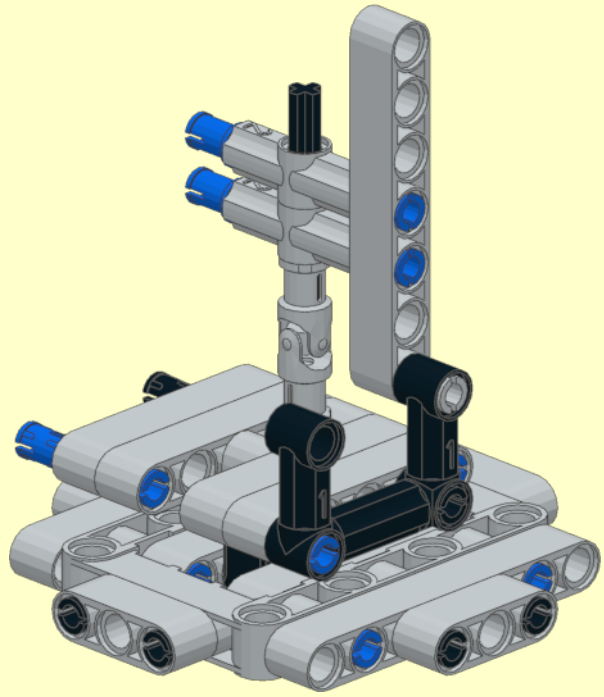
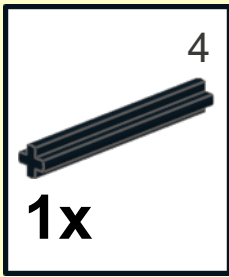
14



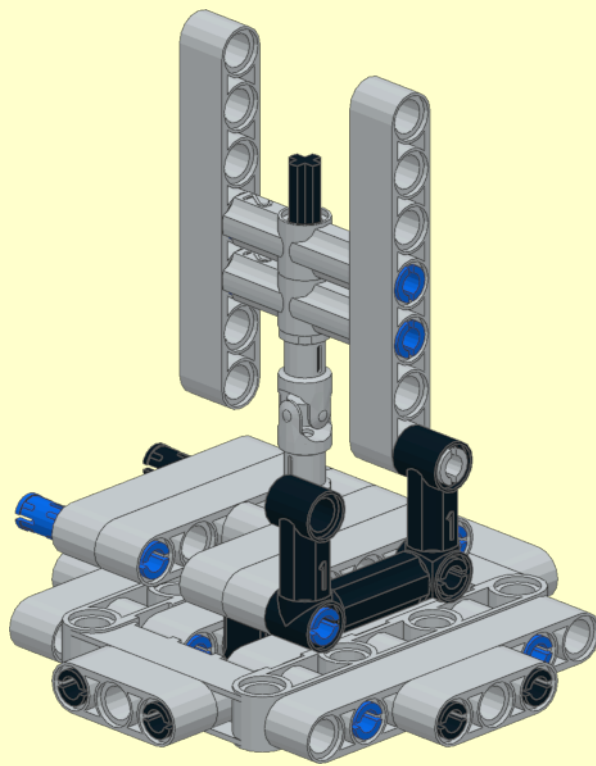
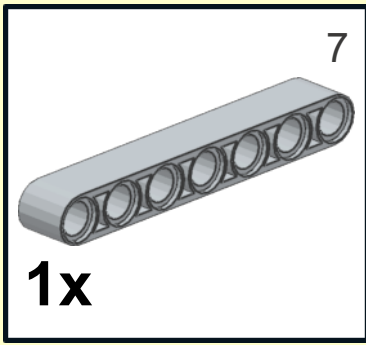
15   
2x



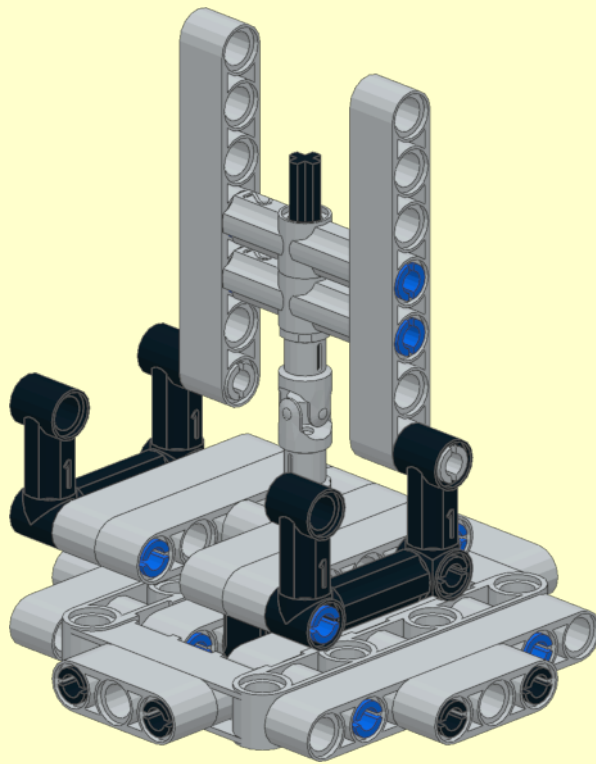
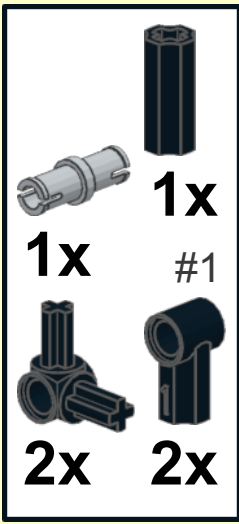
16



17



# 18



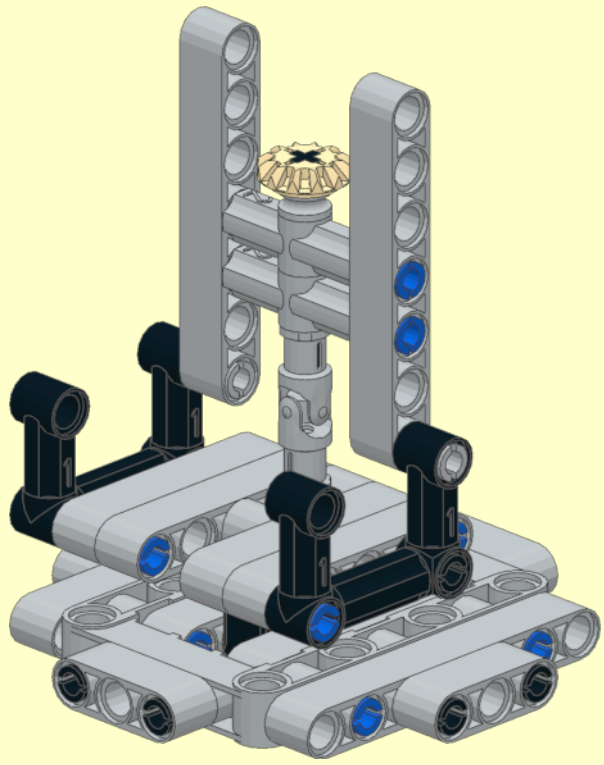


19

12



1x 1x



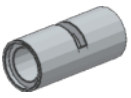
x2

# 15

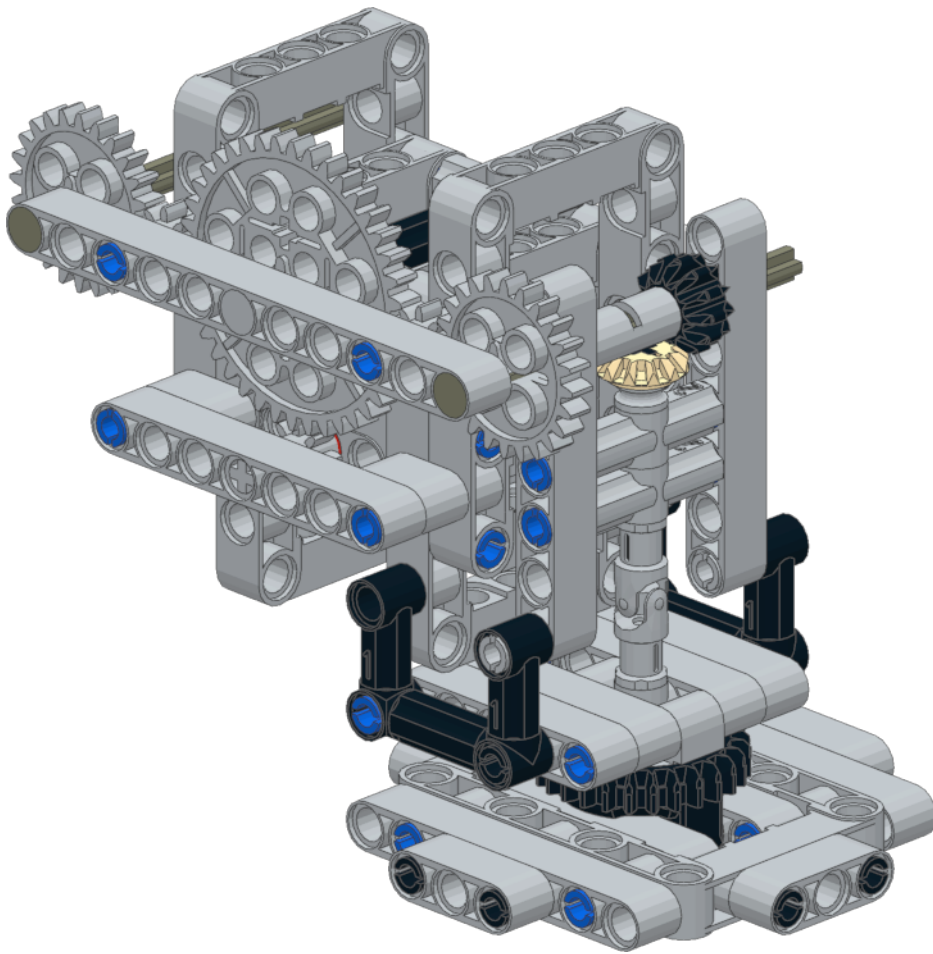
12



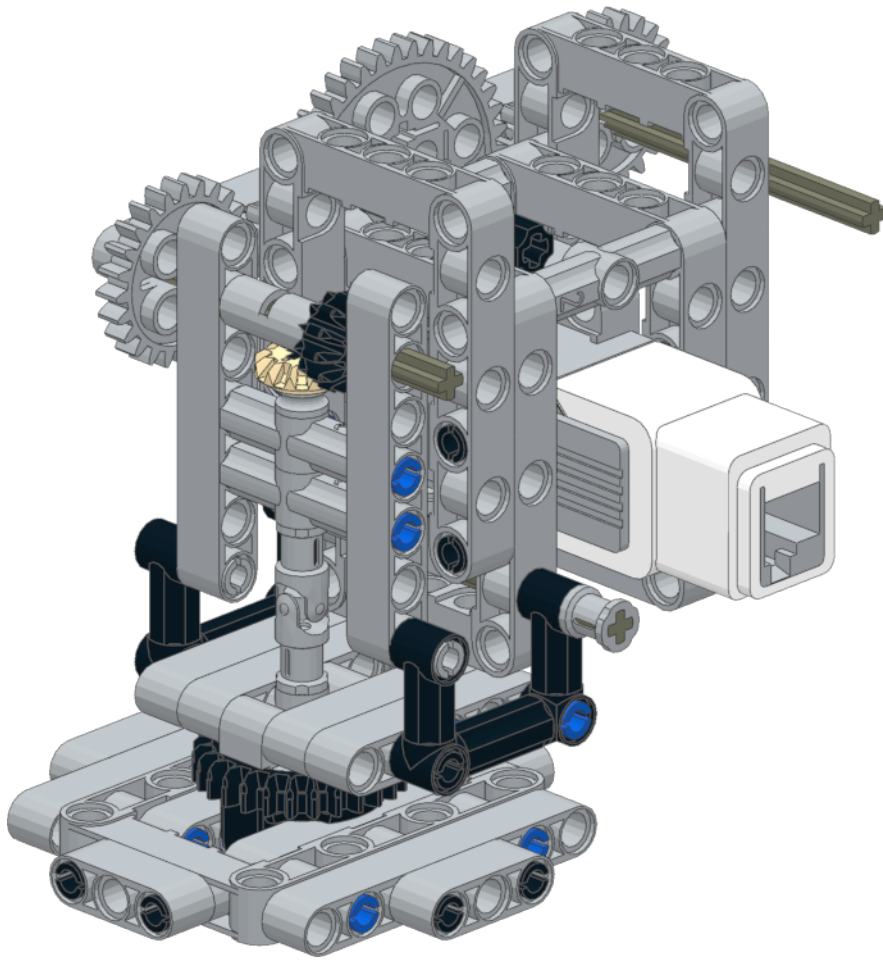
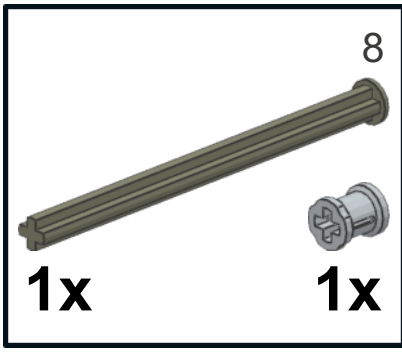
1x



1x



16

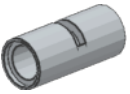


# 17

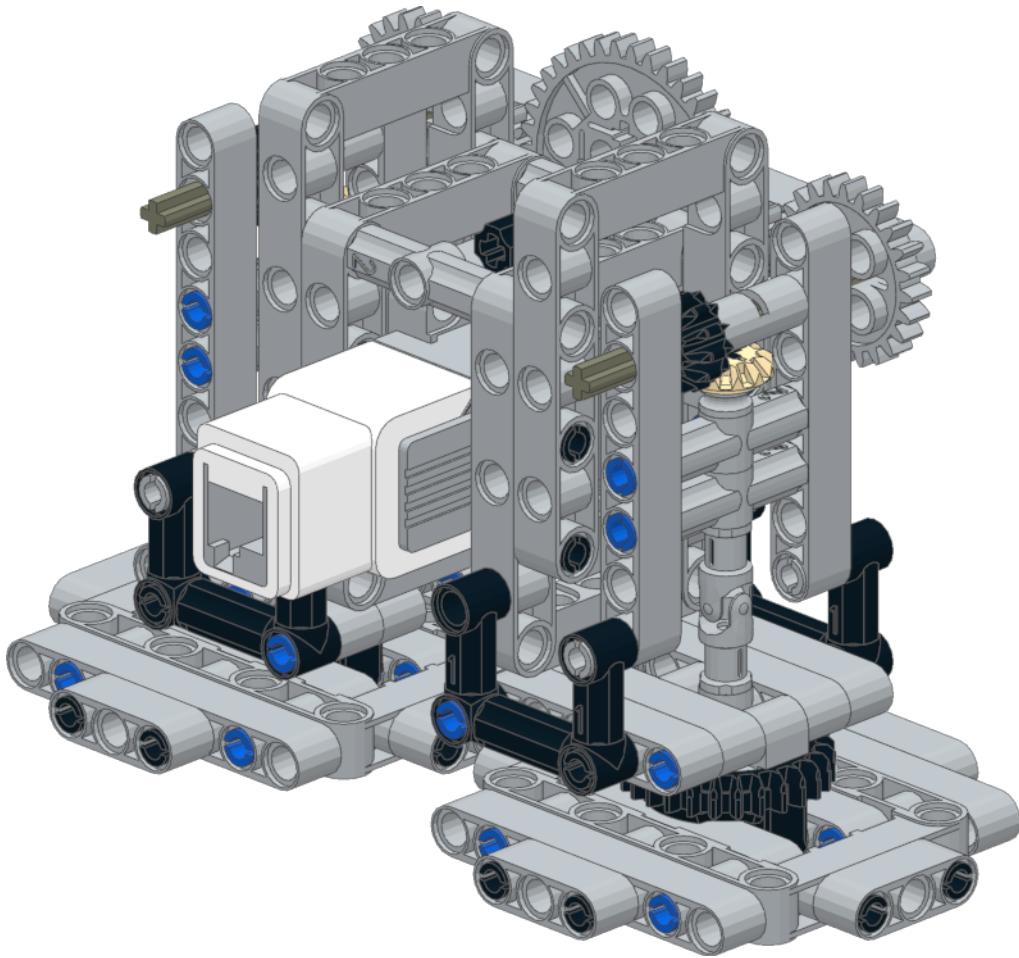
12



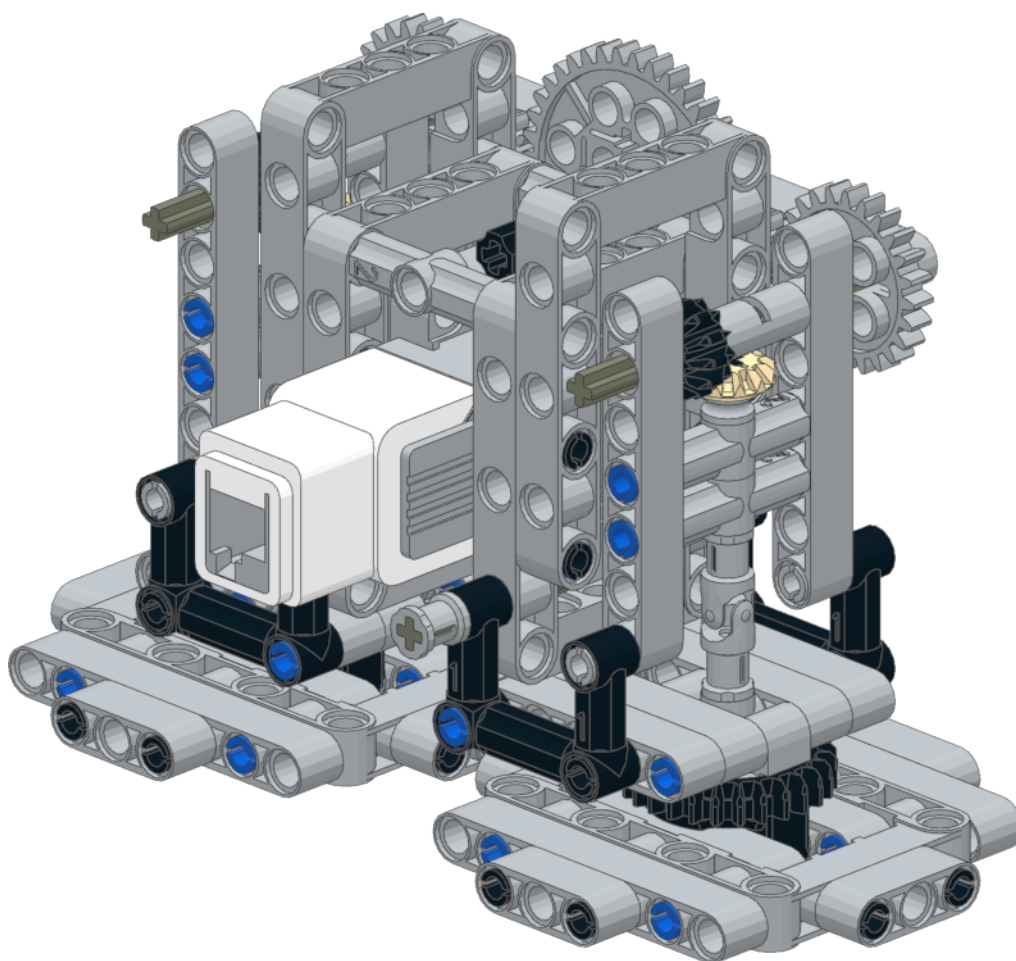
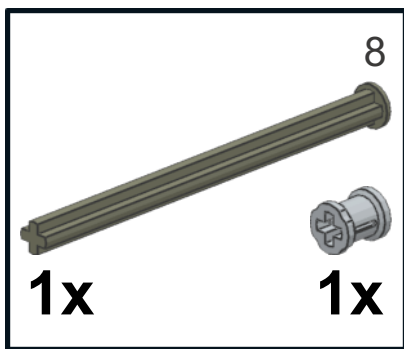
1x



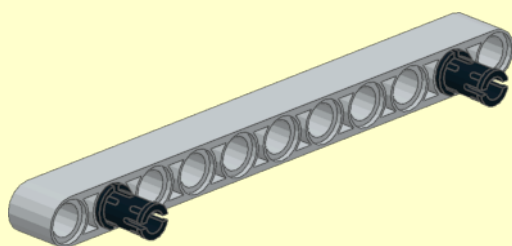
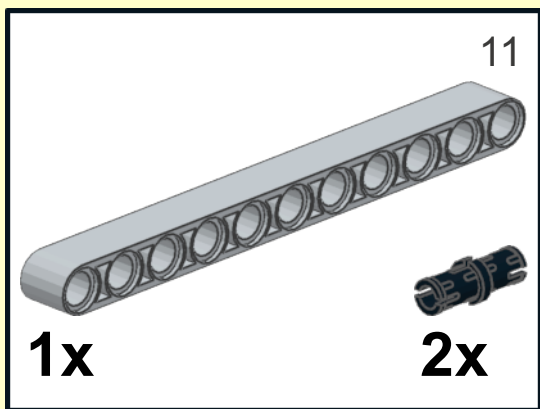
1x



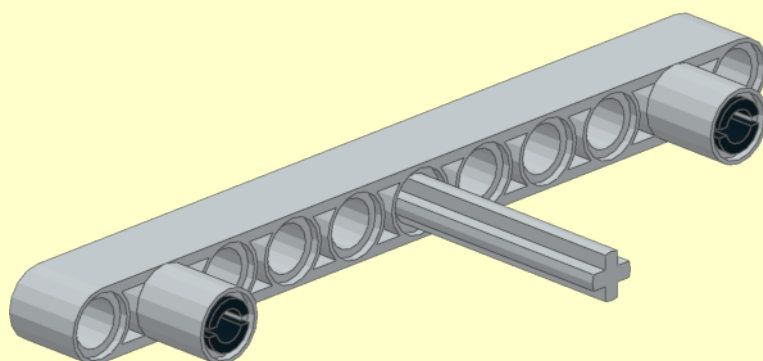
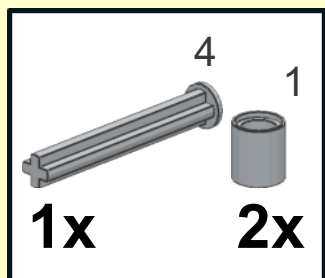
# 18



1

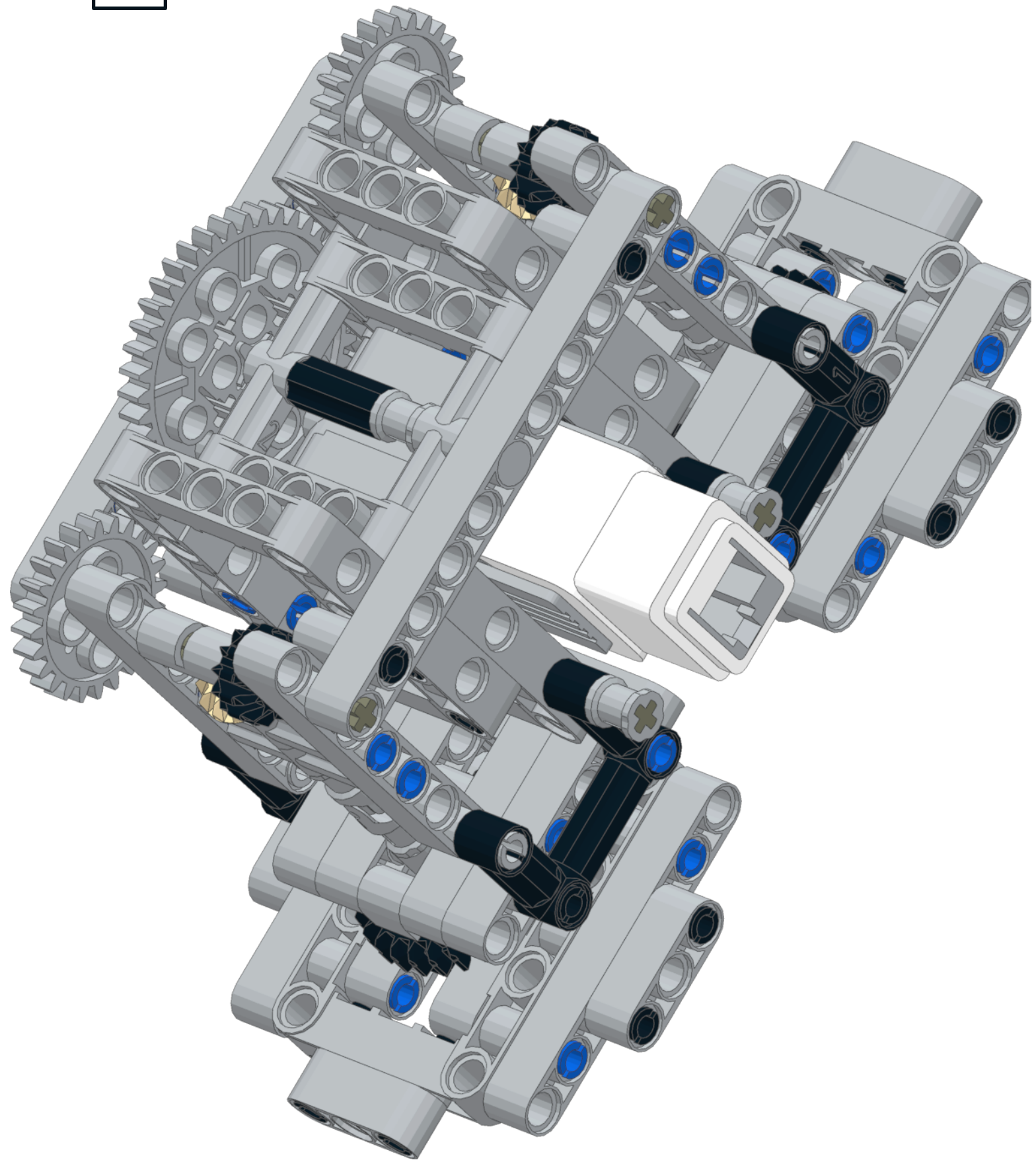


2





19

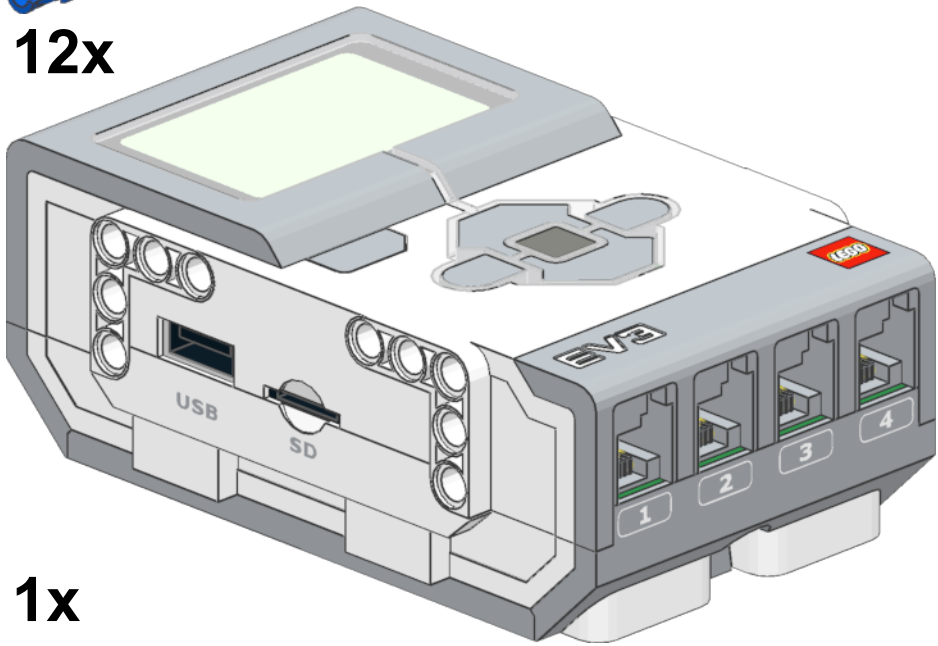




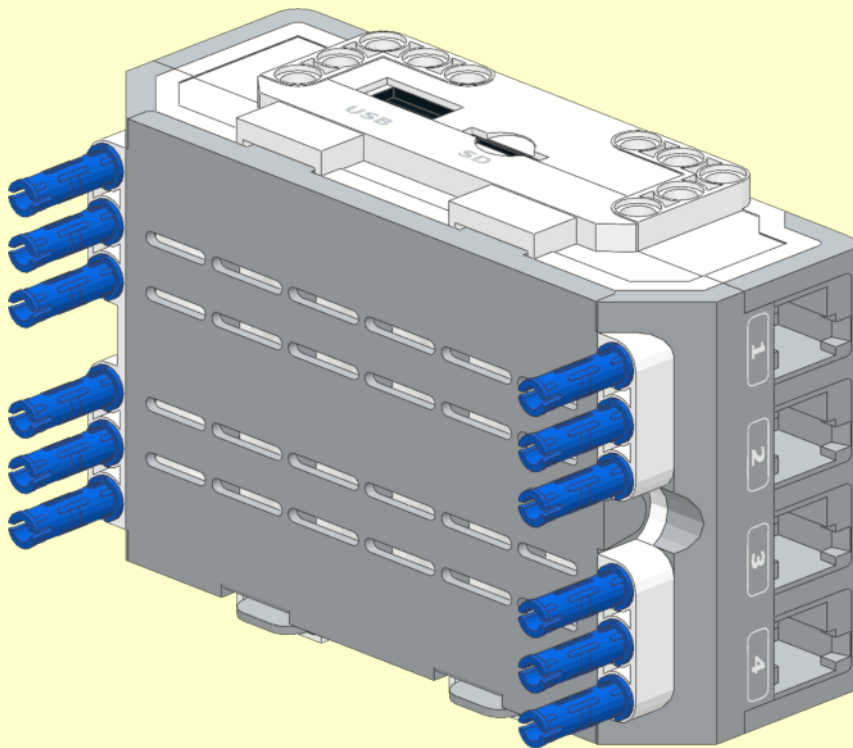
1



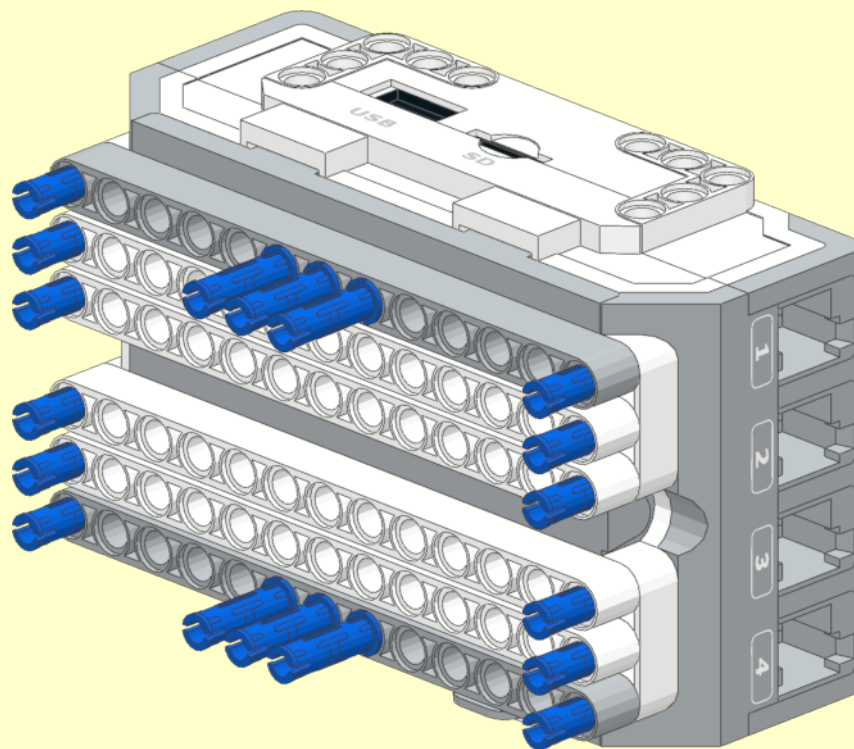
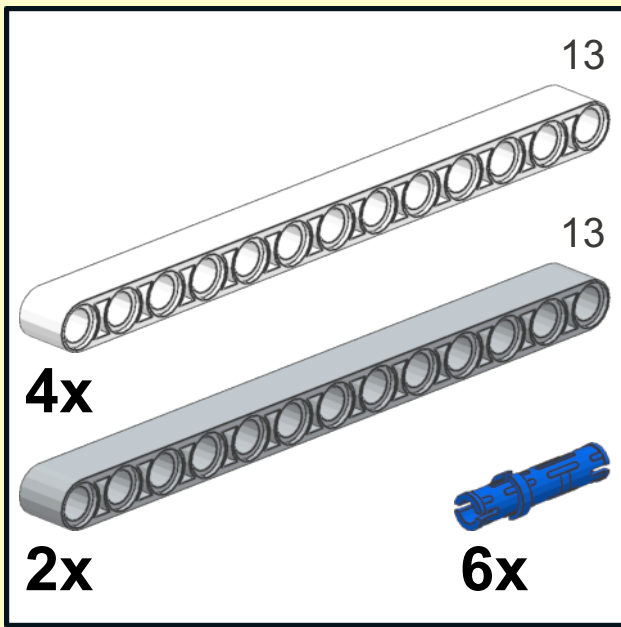
12x



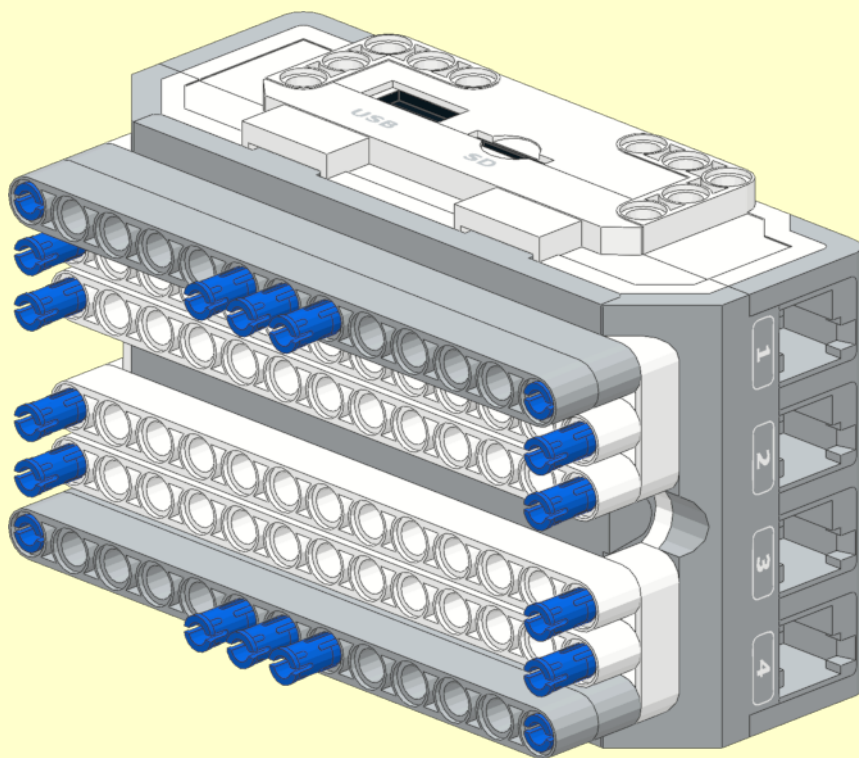
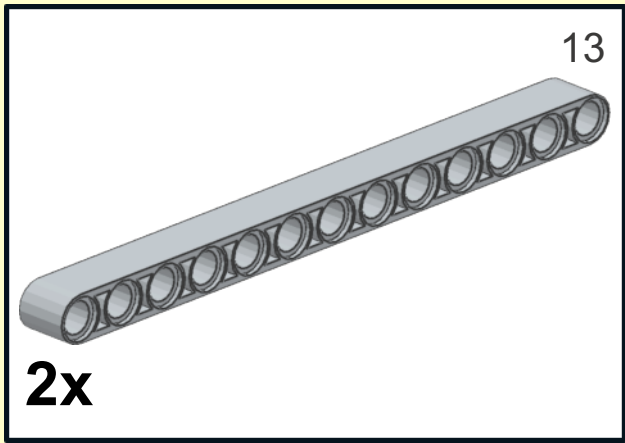
1x



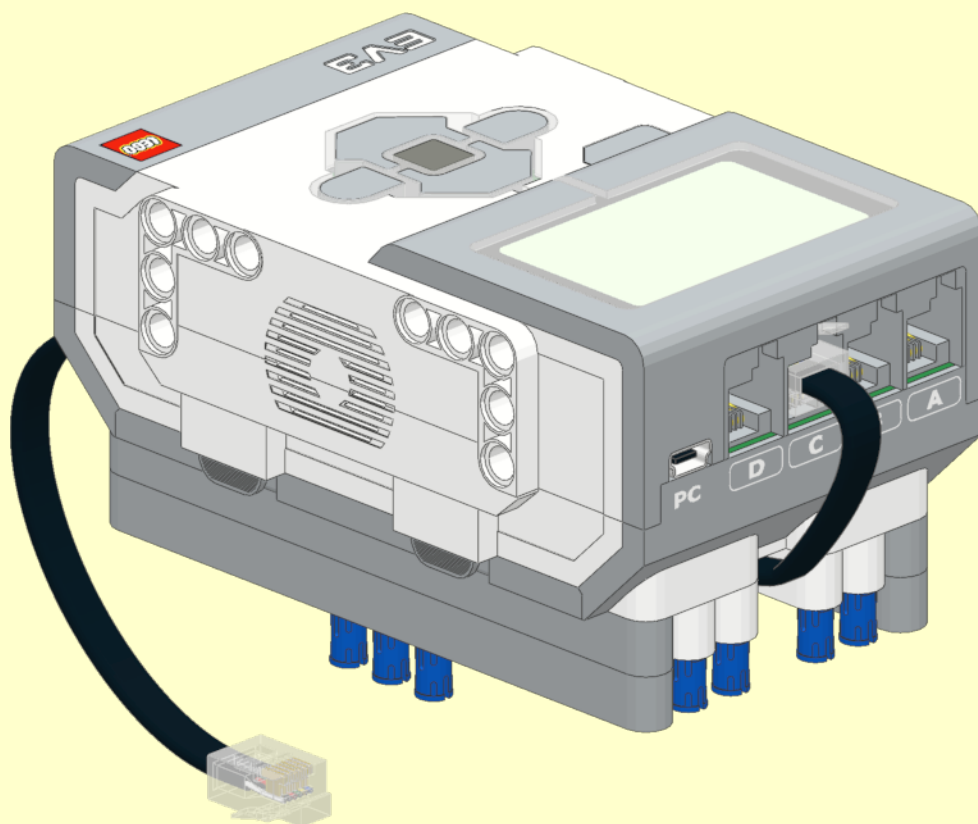
2



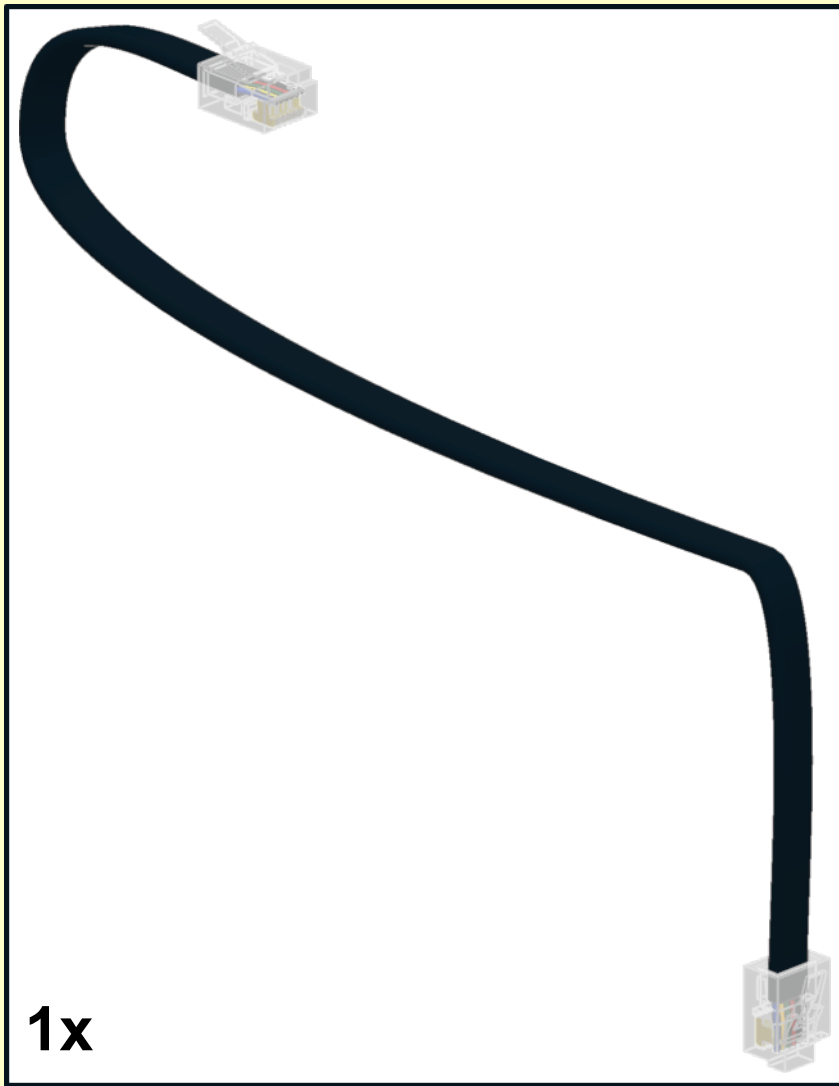
3



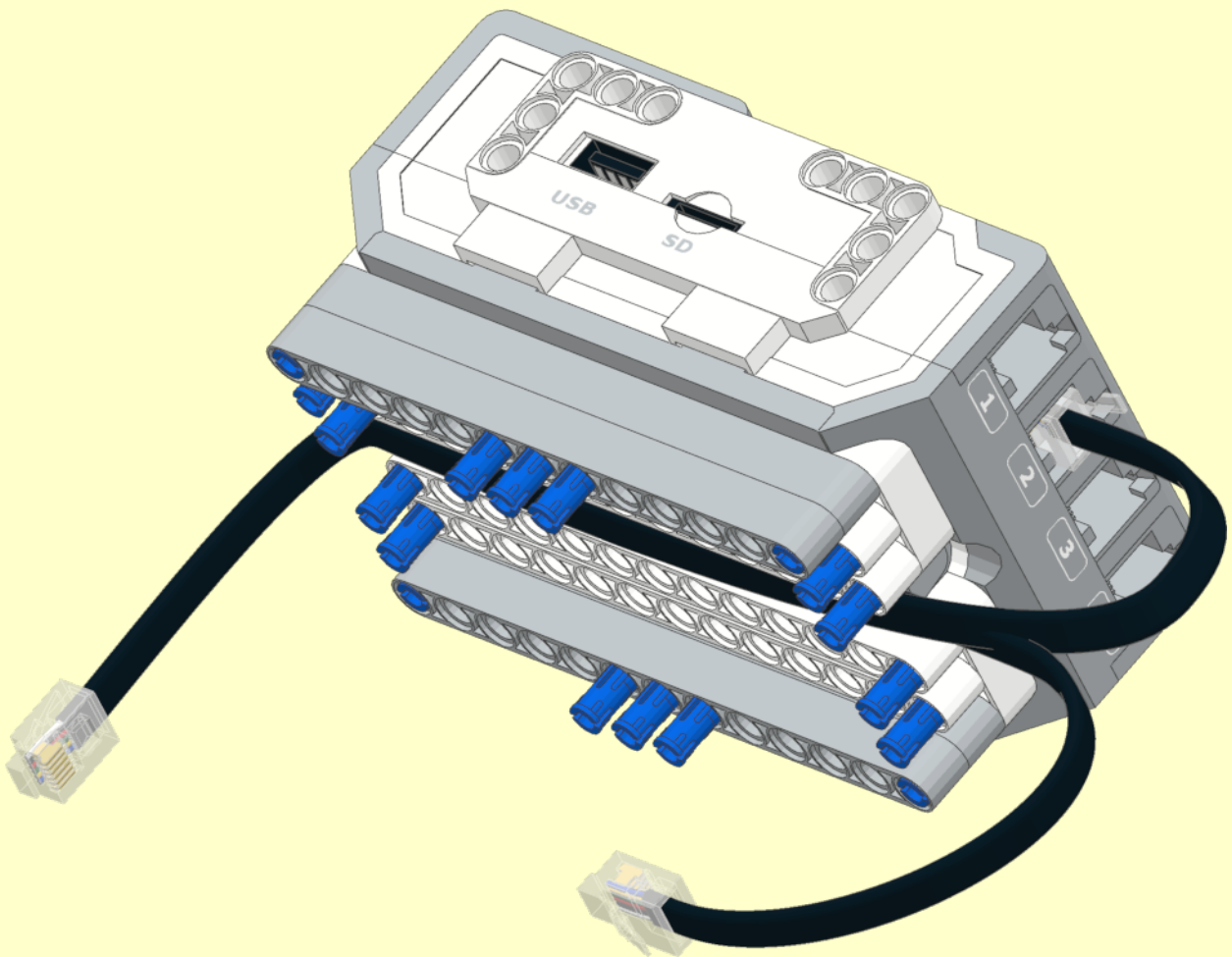
4



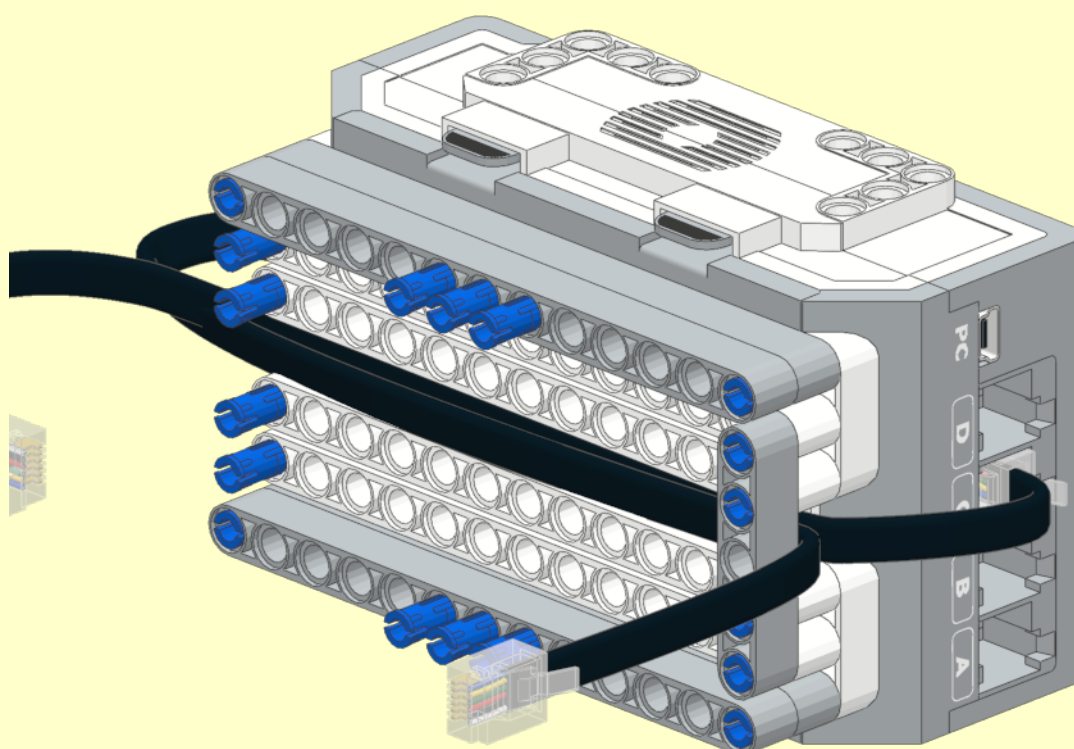
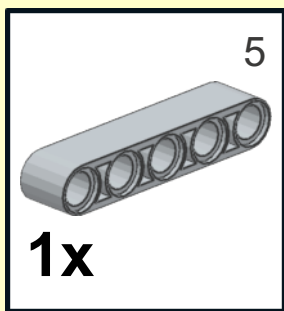
5



1x

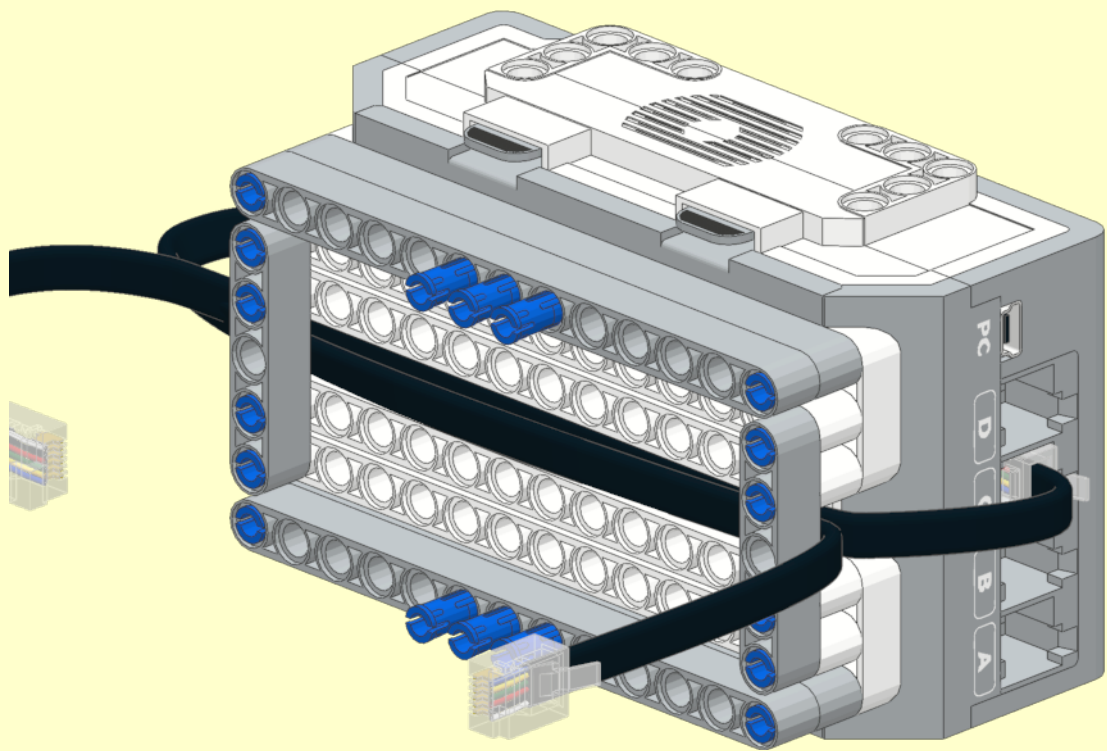
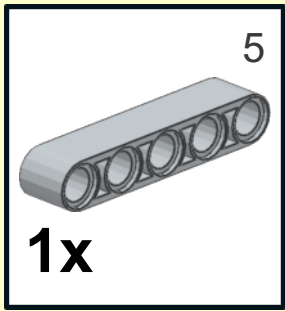


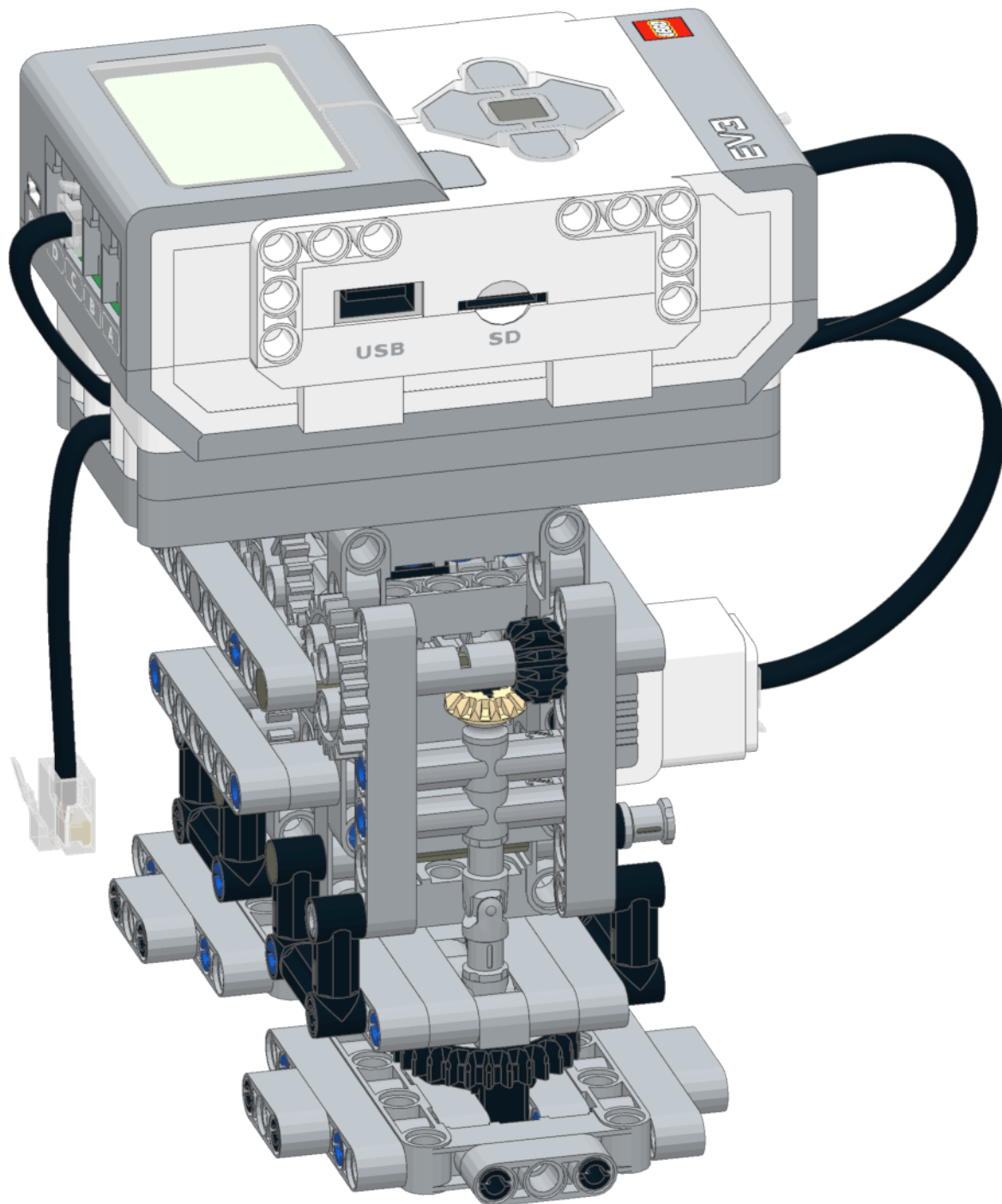
6





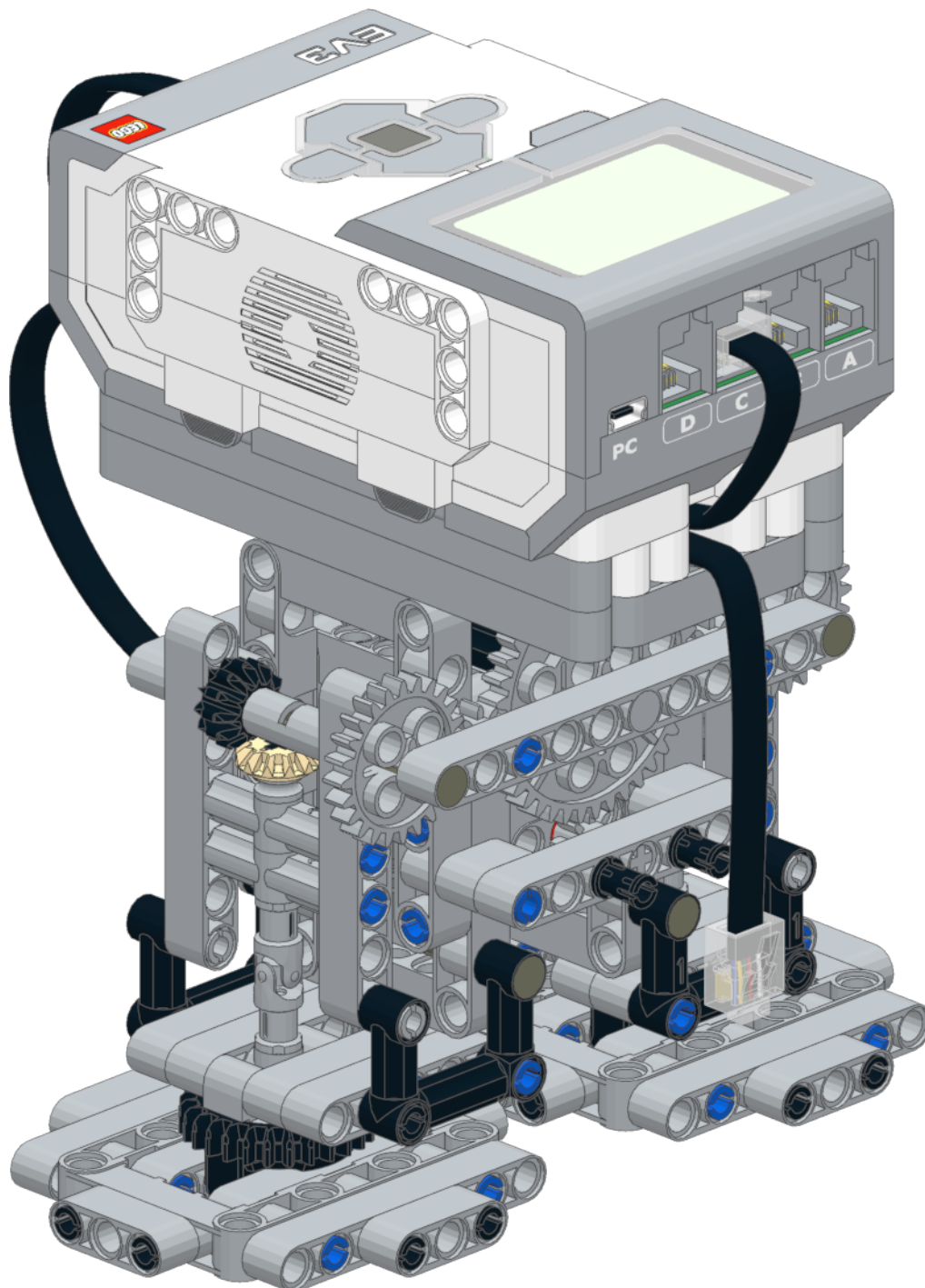
7



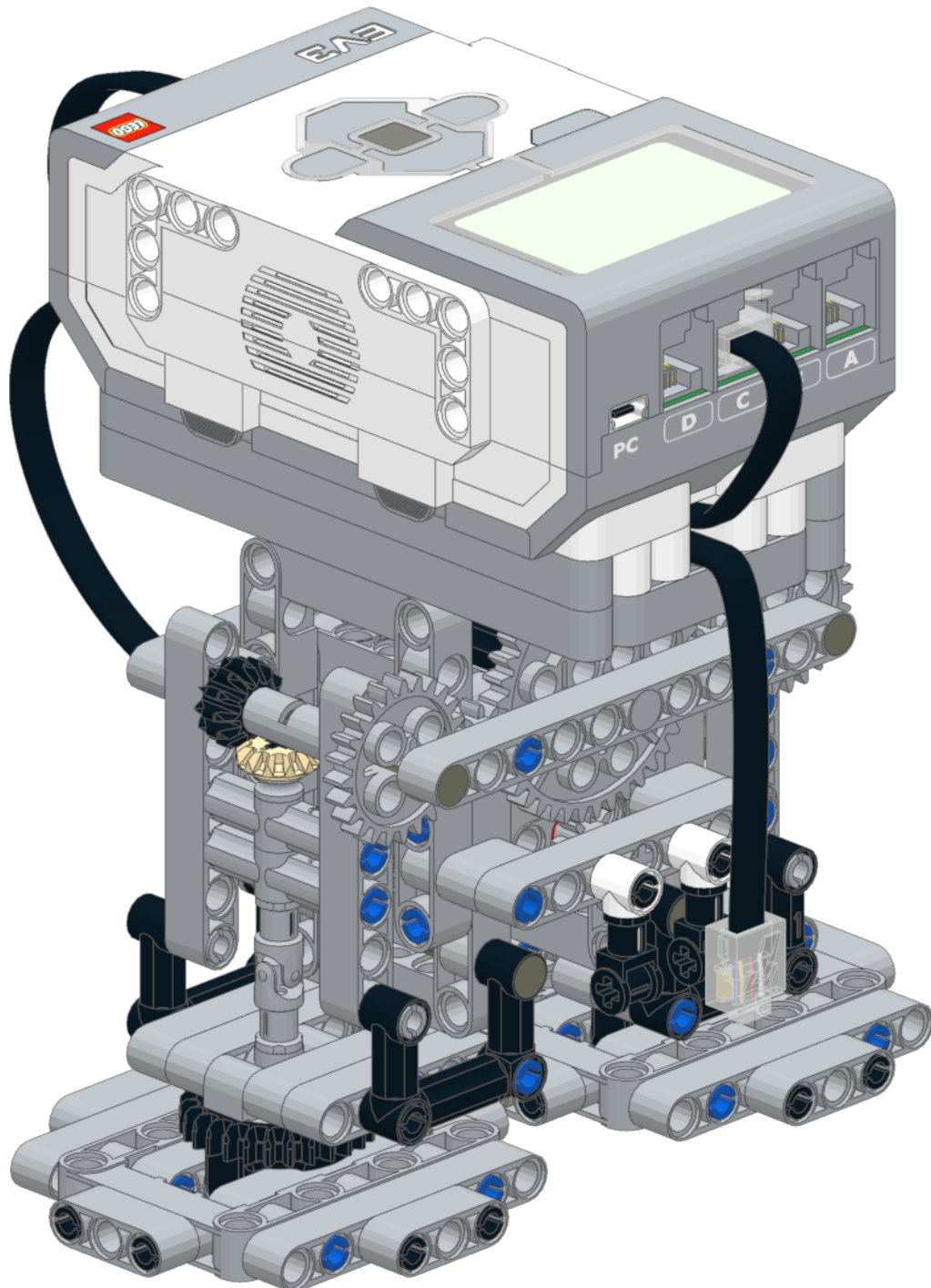
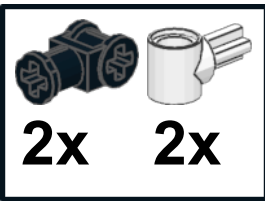




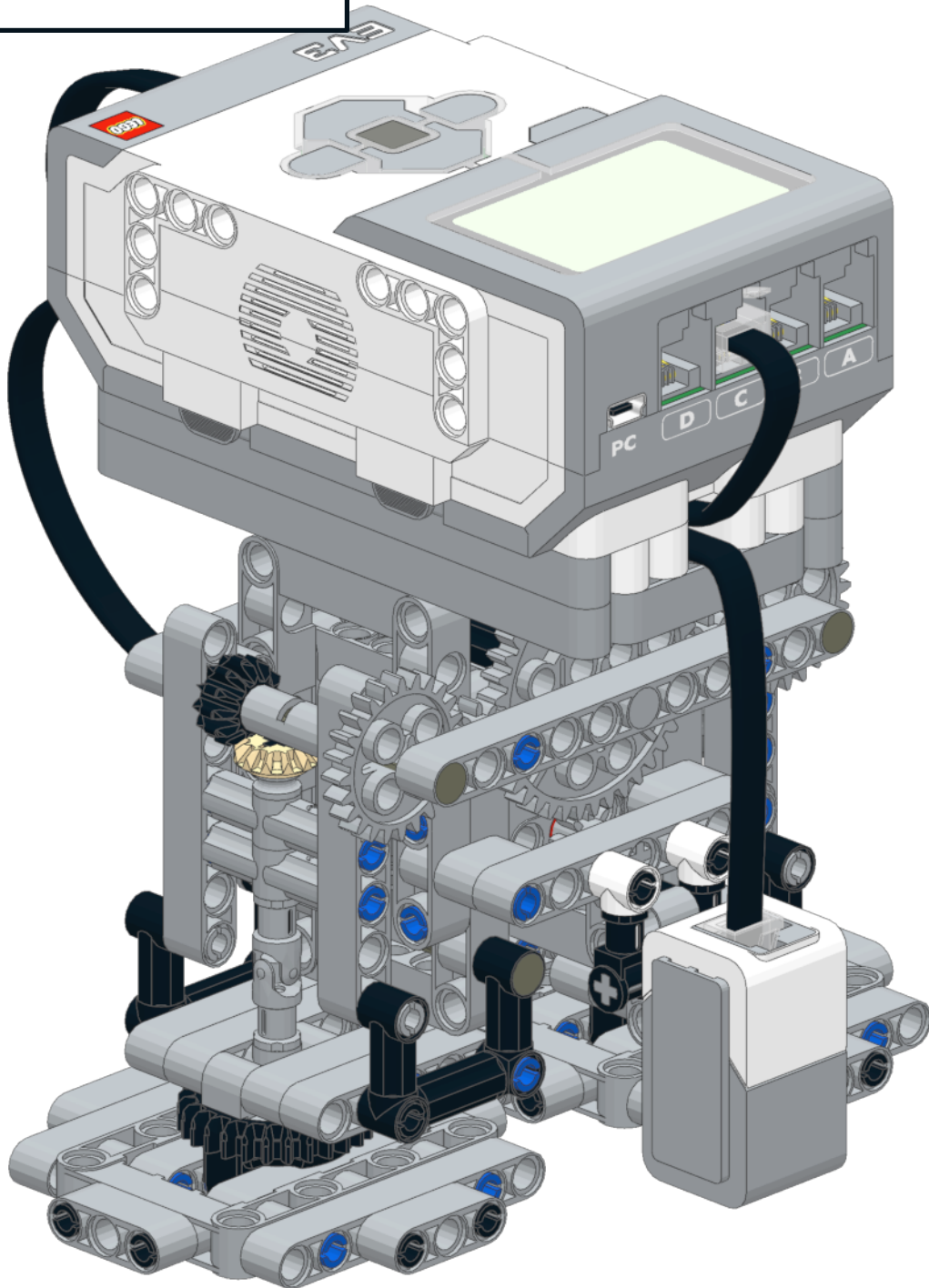
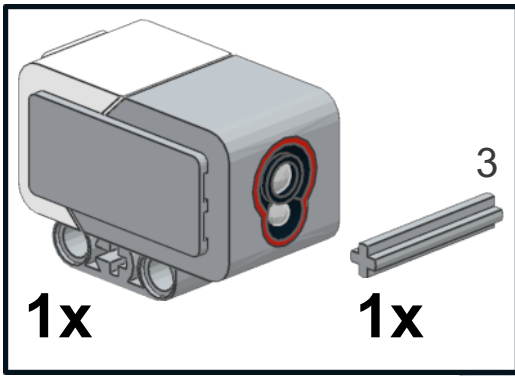
21



22

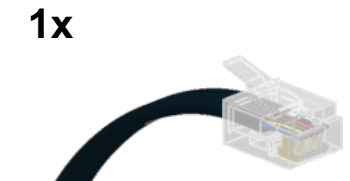
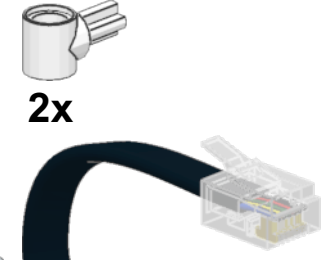
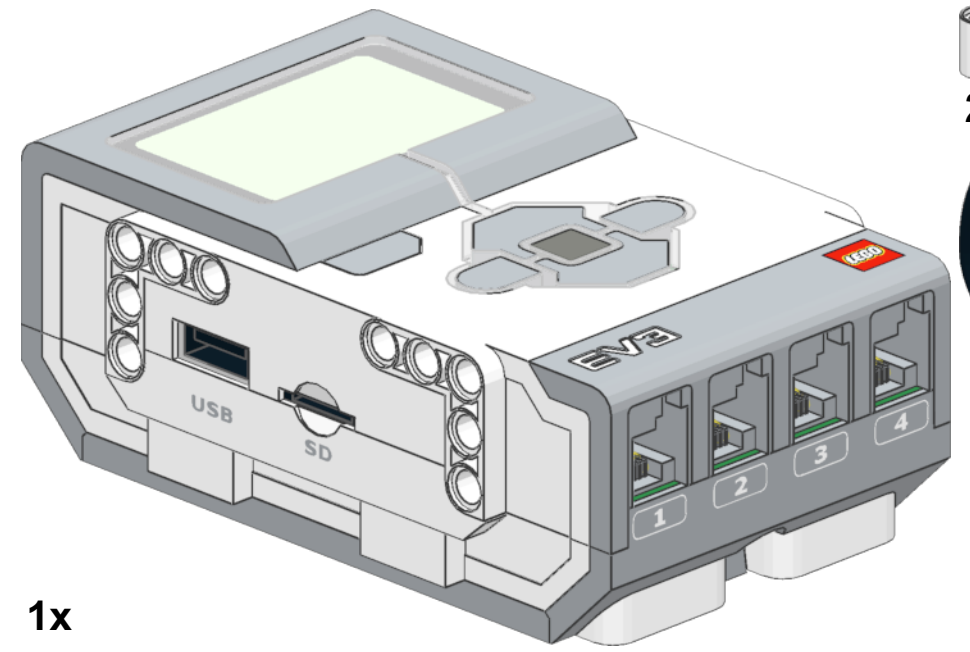


23





- 24
- 2x #2
- 6x 3L
- 2x
- 1x
- 2x 3
- 8x 4
- 2x 40
- 1x 7
- 9x 7x5
- 6x 11
- 2x 13
- 2x 5
- 4x
- 14x
- 2x
- 1x 12
- 2x 1
- 2x
- 2x
- 3x 8
- 3x
- 4x 2
- 2x
- 2x 13
- 2x 3
- 4x
- 2x



1x

- 28x
- 8x
- 2x 4
- 2x
- 2x
- 2x
- 2x
- 16x
- 46x 8
- 4x
- 1x
- 5x
- 8x #1
- 13 #1
- 2x #1
- 2x 12

