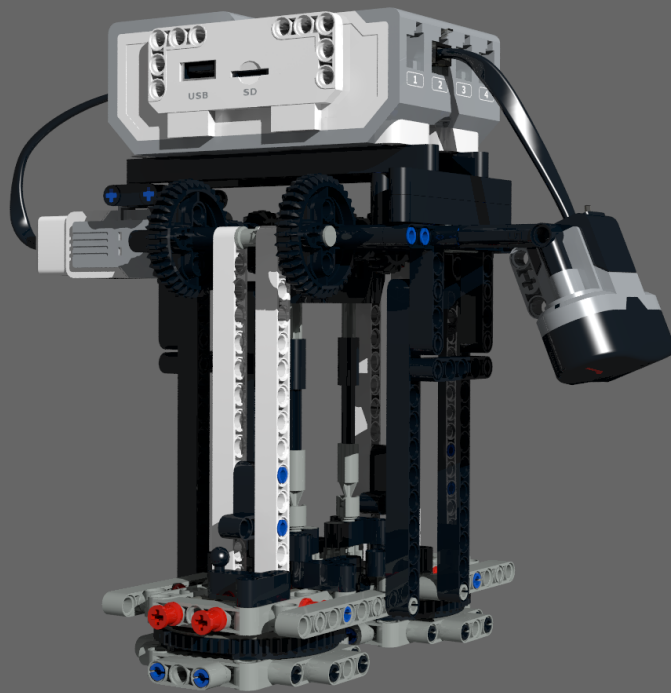


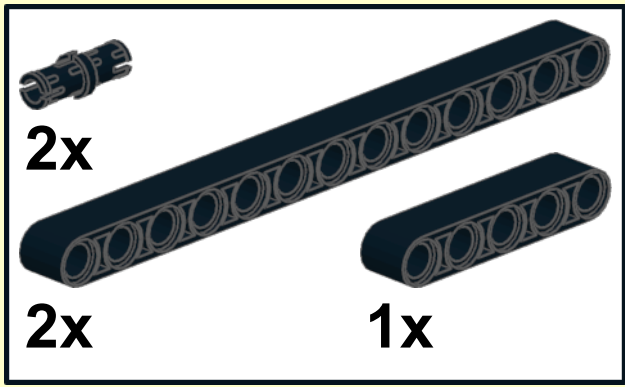
I'M POSSIBLE

by Stu Nicholls

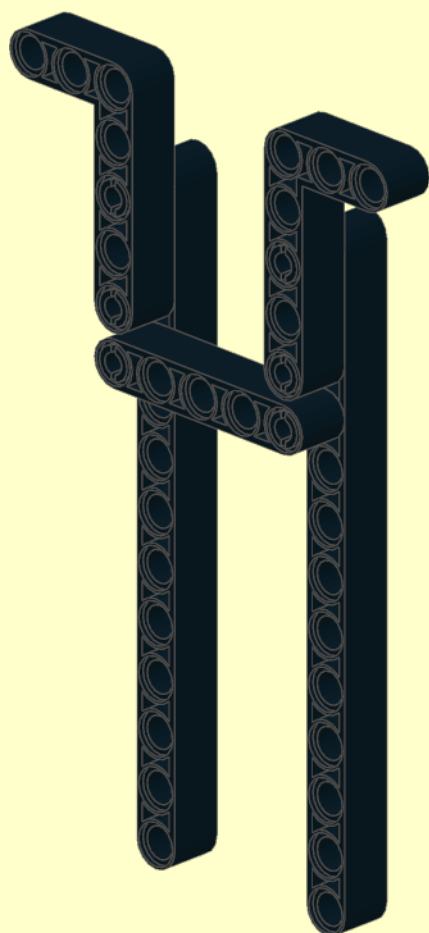
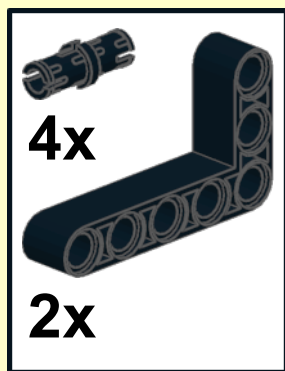
**An autonomous biped walker
using just one medium motor**



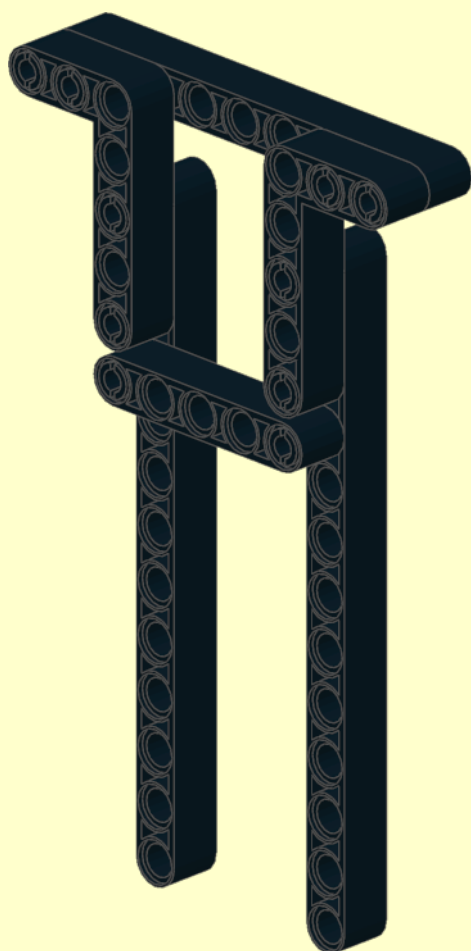
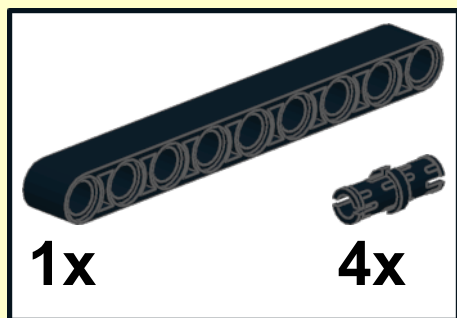
1



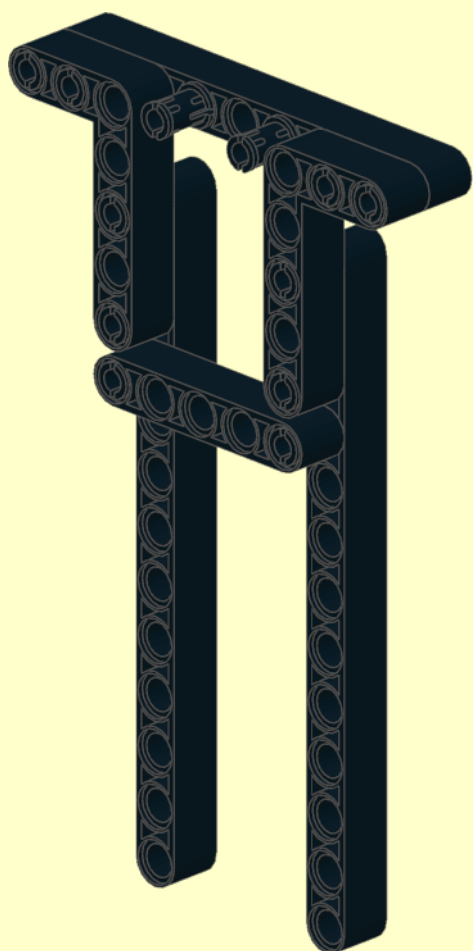
2



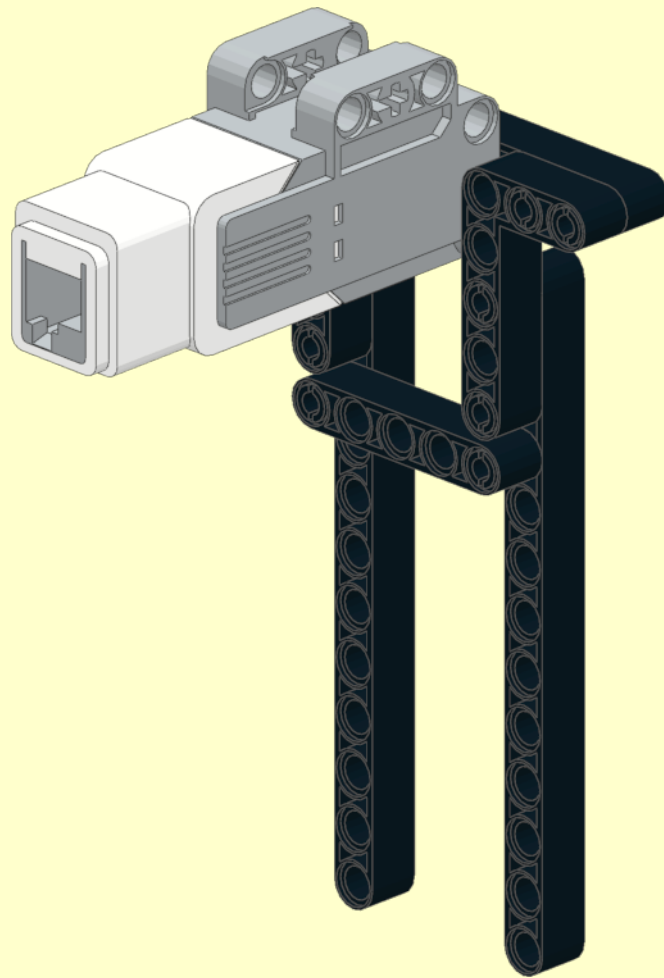
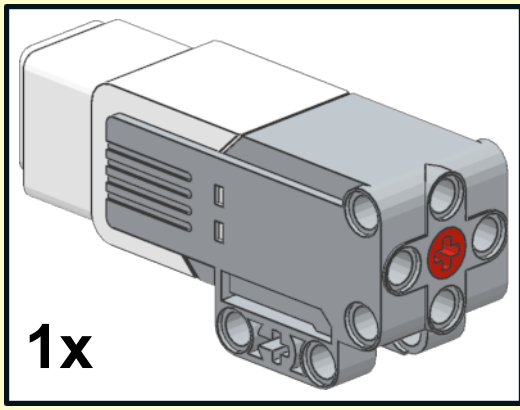
3



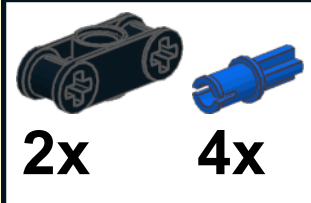
4



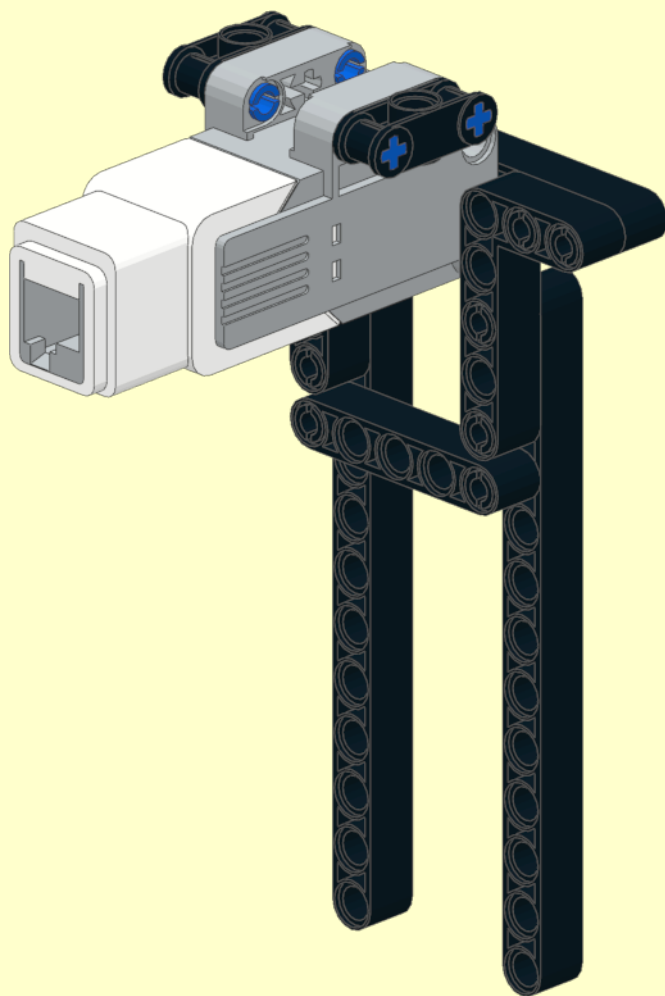
5



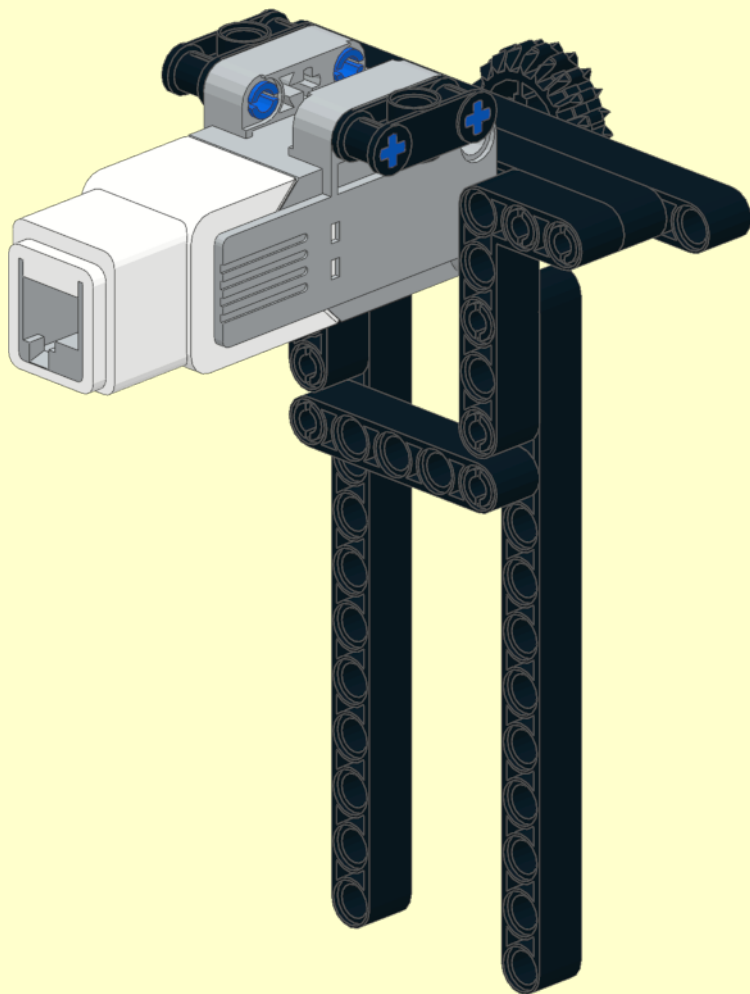
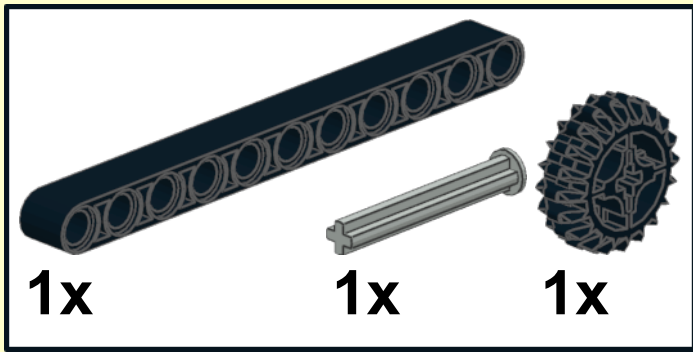
6



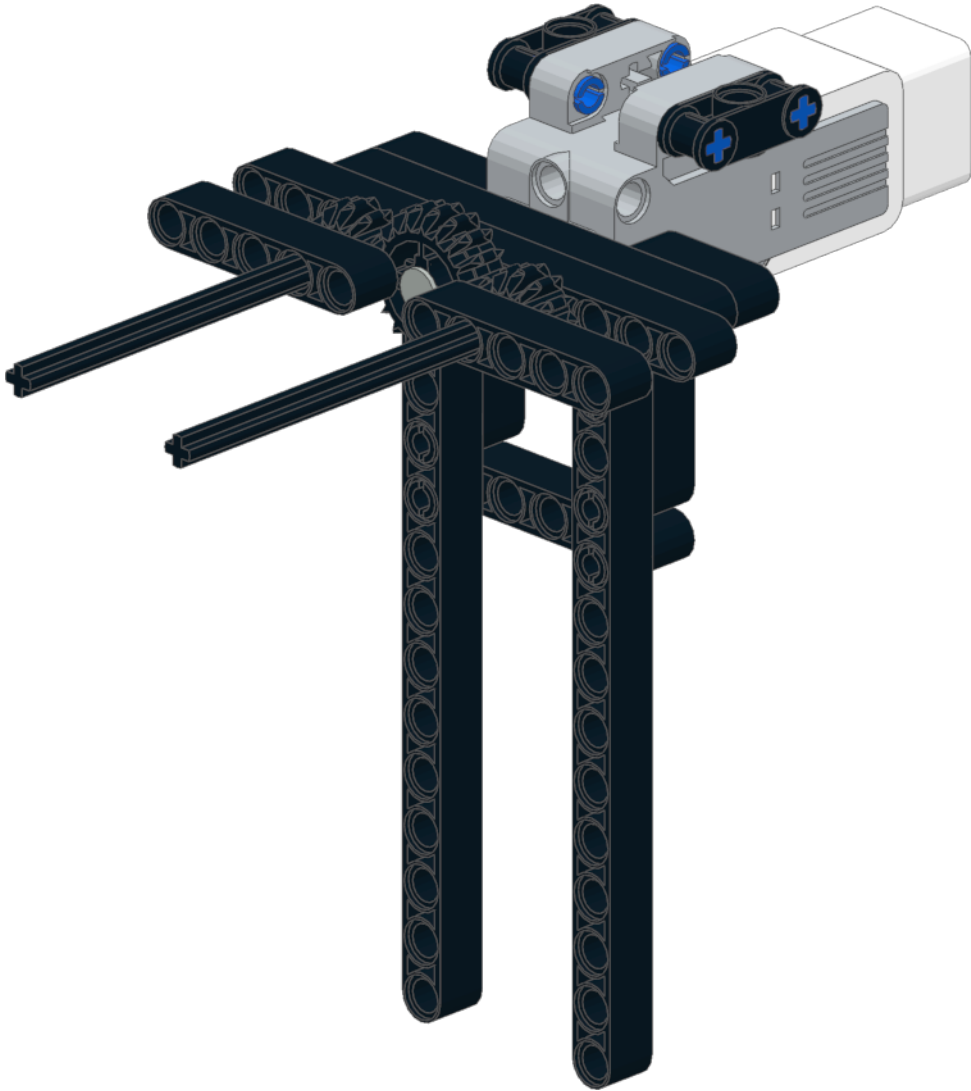
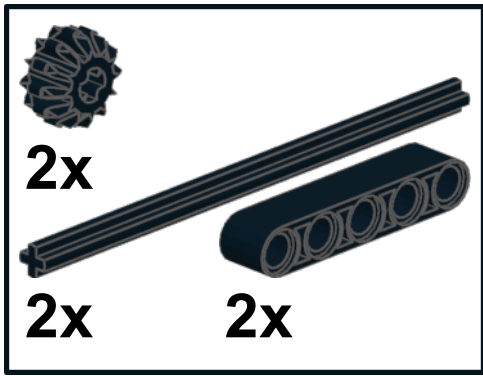
2x **4x**



7



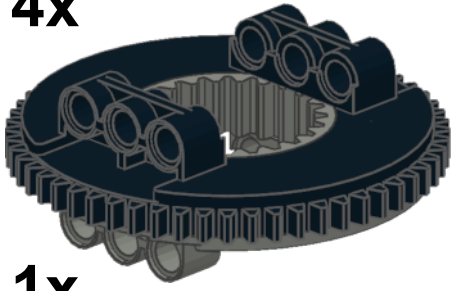
1



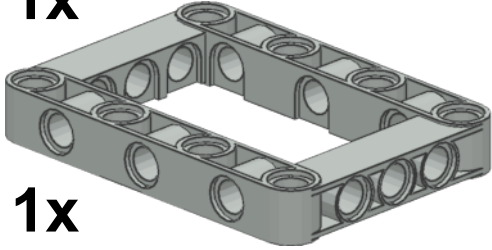
1



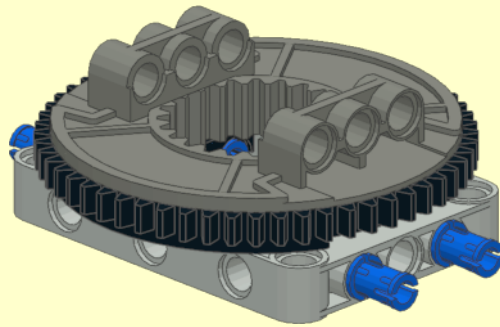
4x

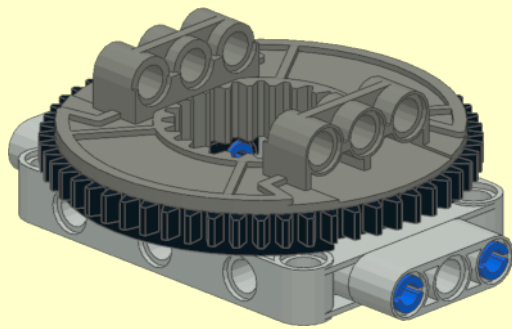
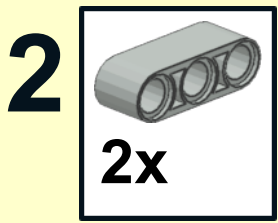


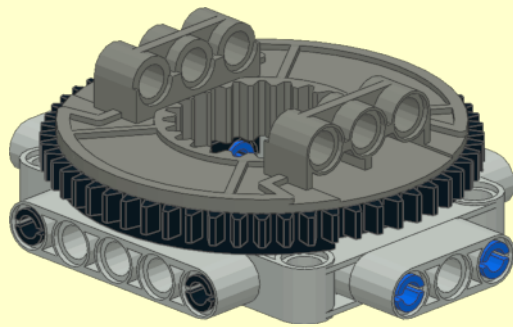
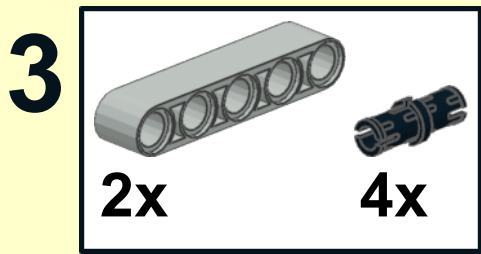
1x



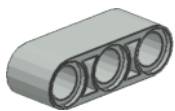
1x







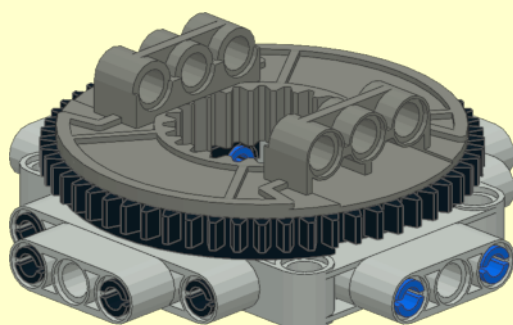
4



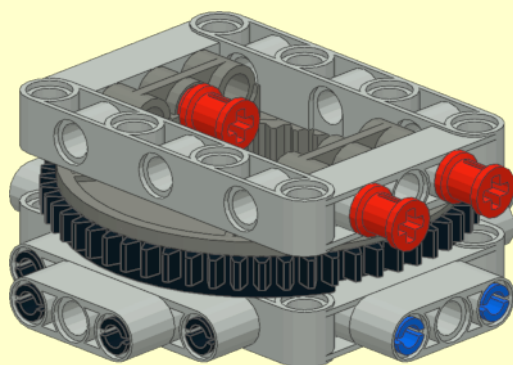
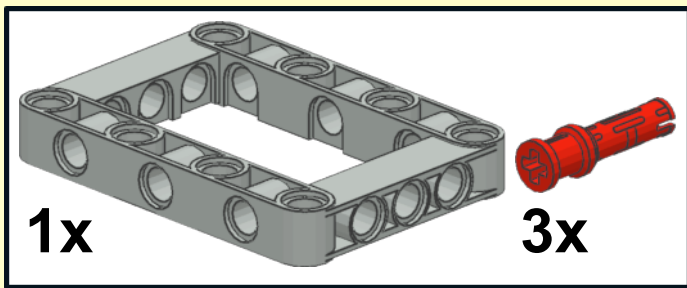
2x



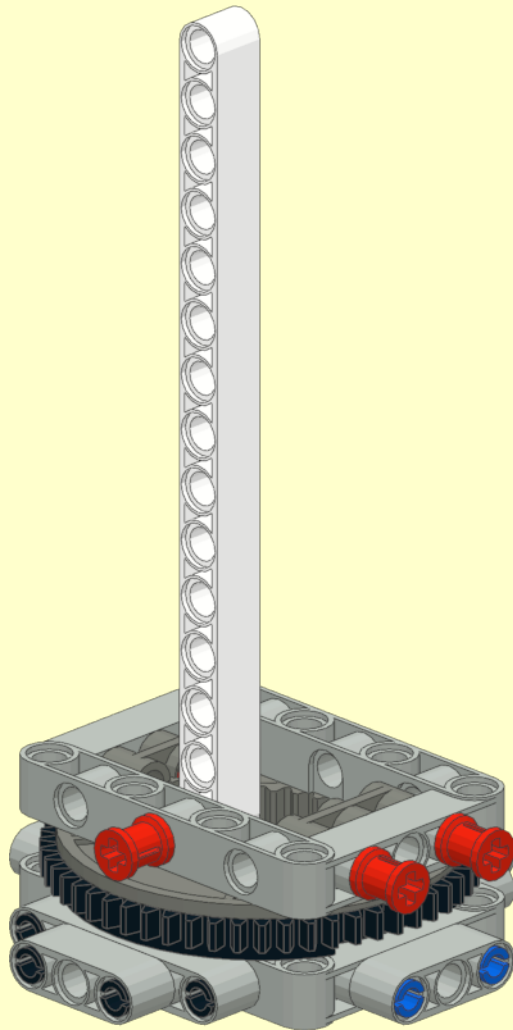
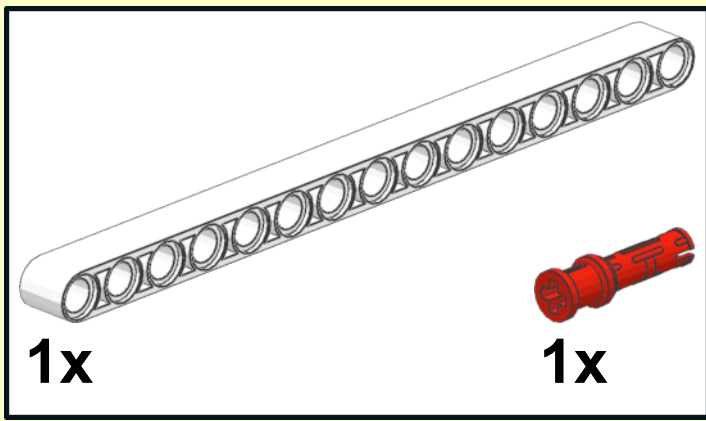
4x



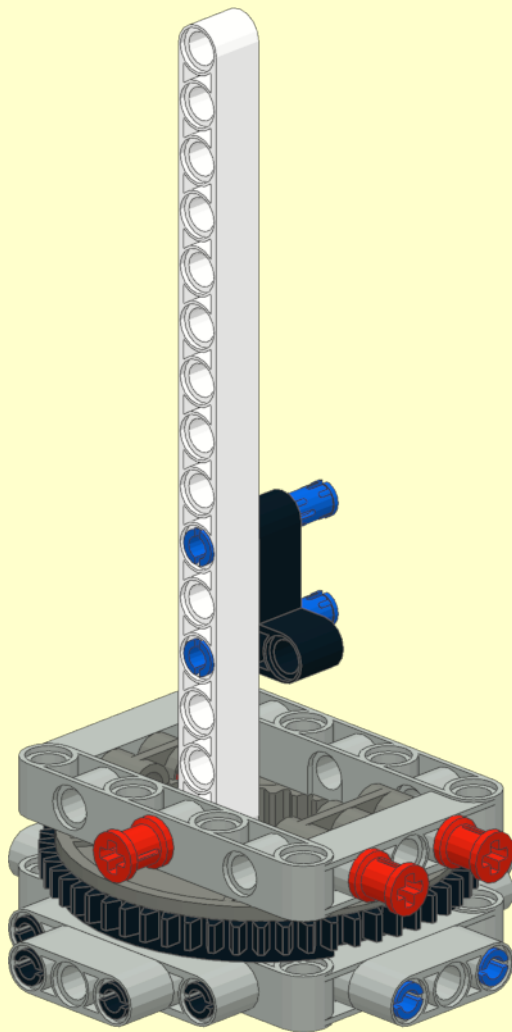
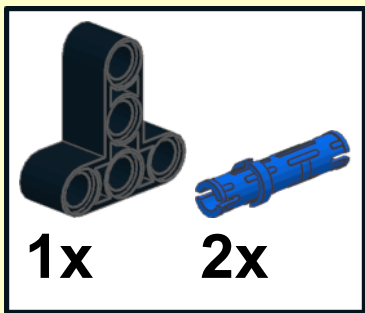
5



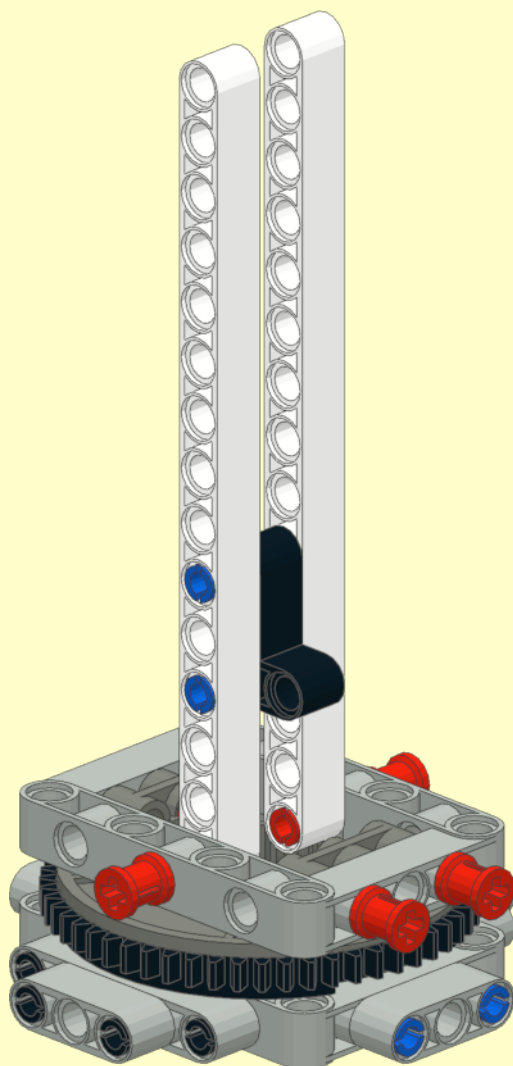
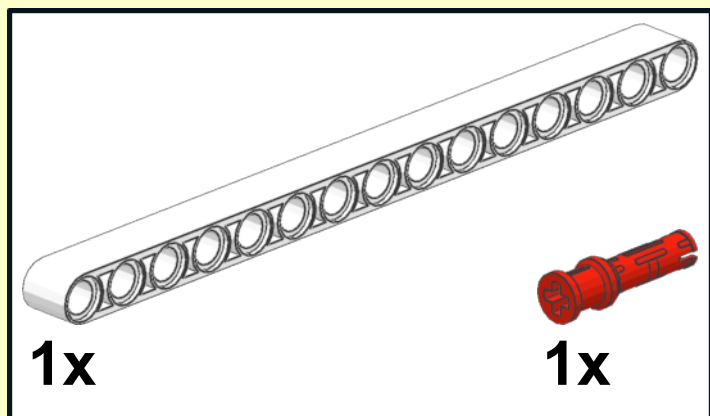
6



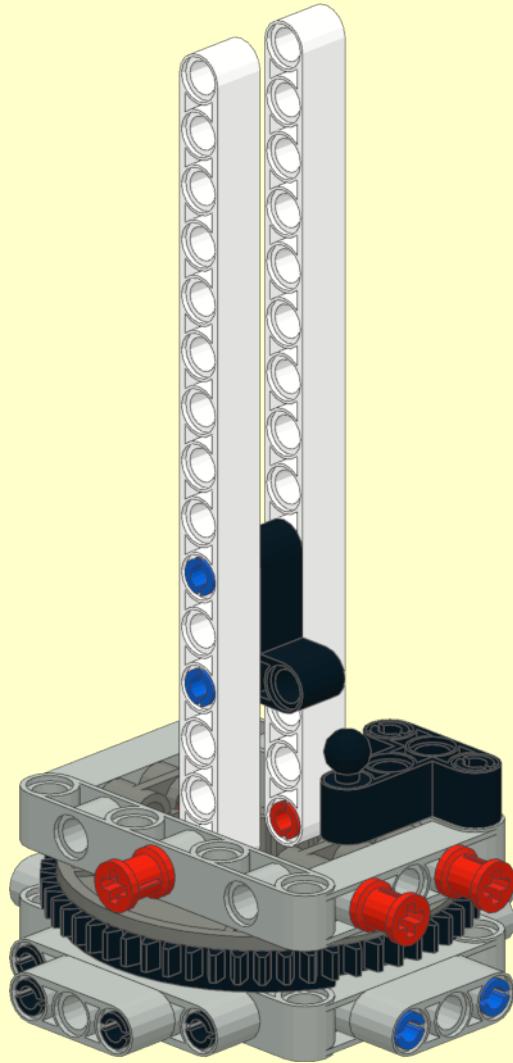
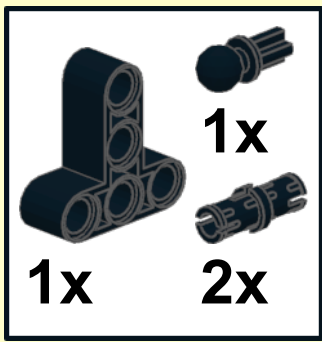
7



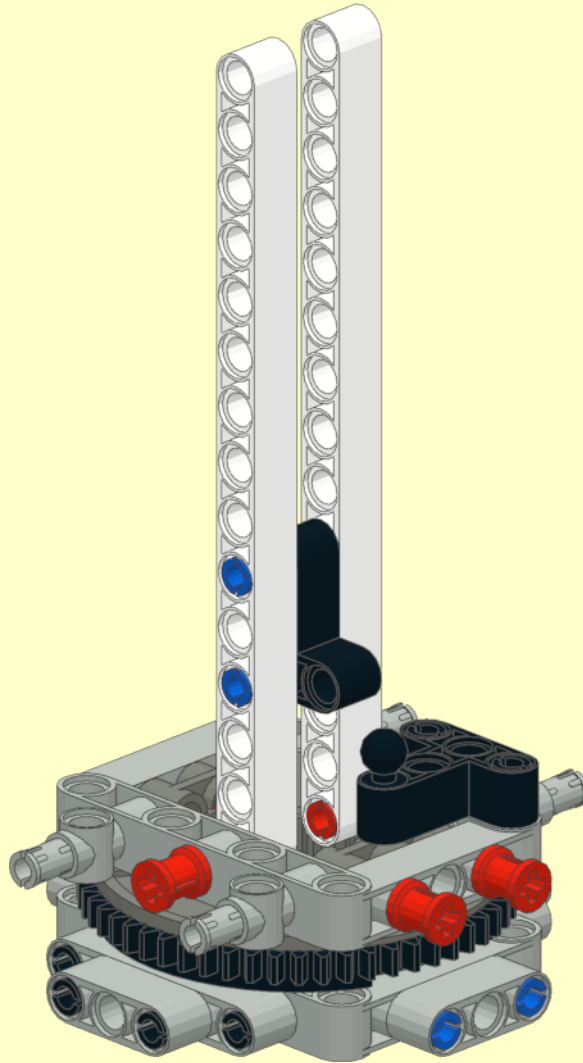
8



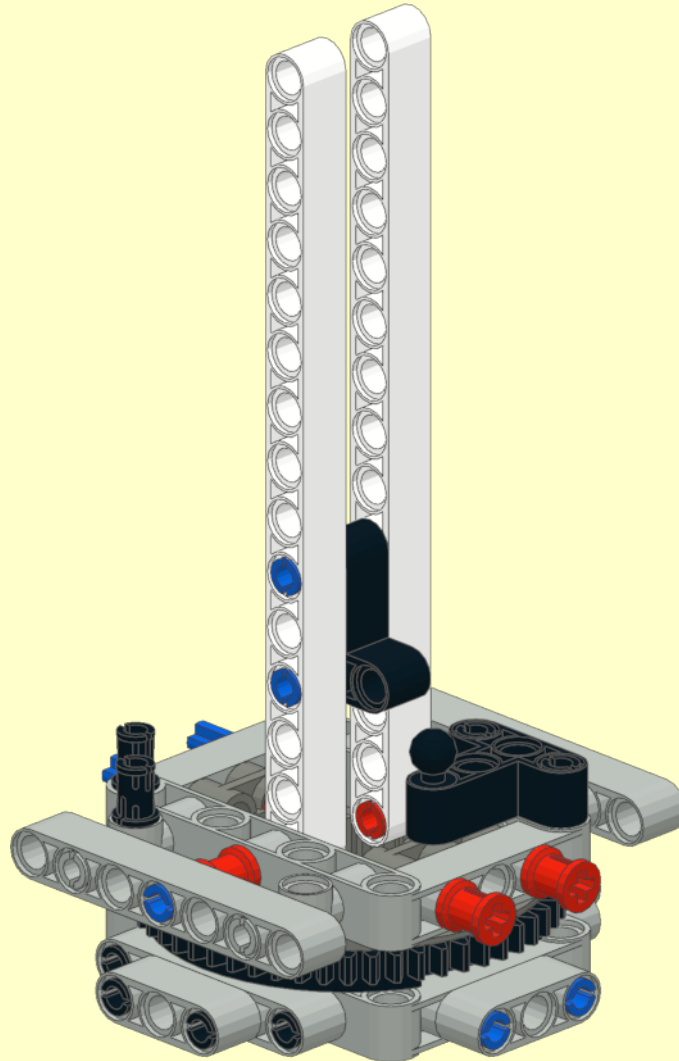
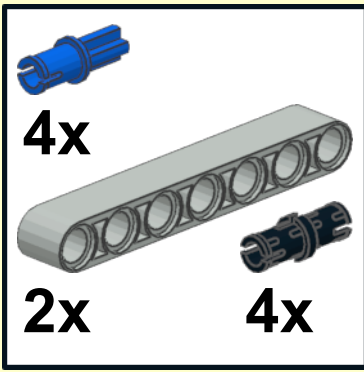
9



10



11



12



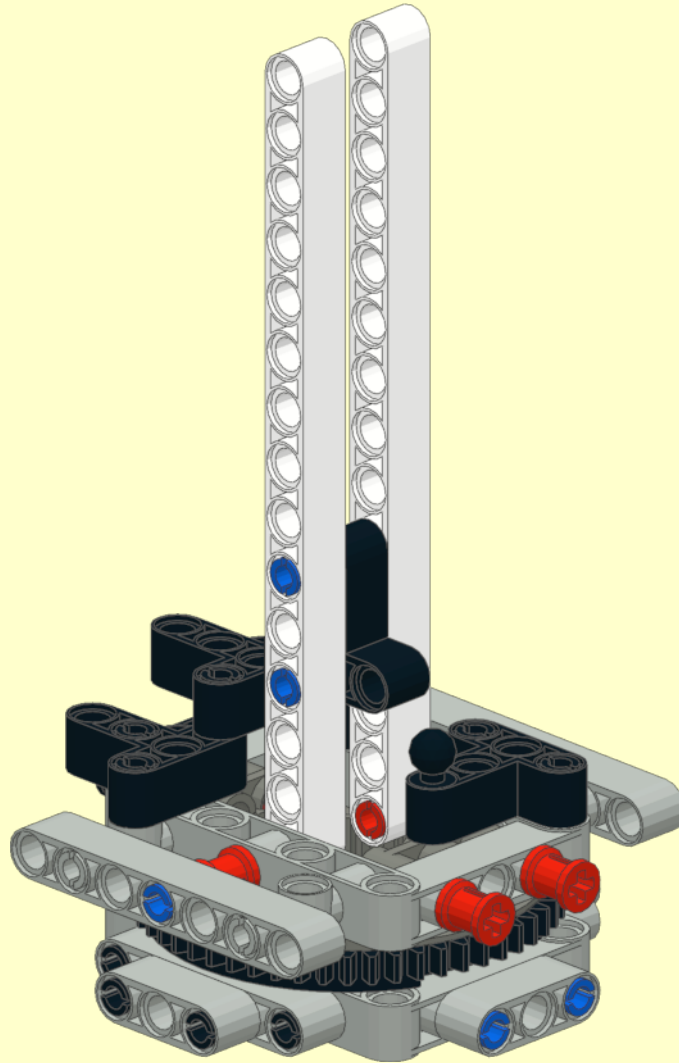
2x



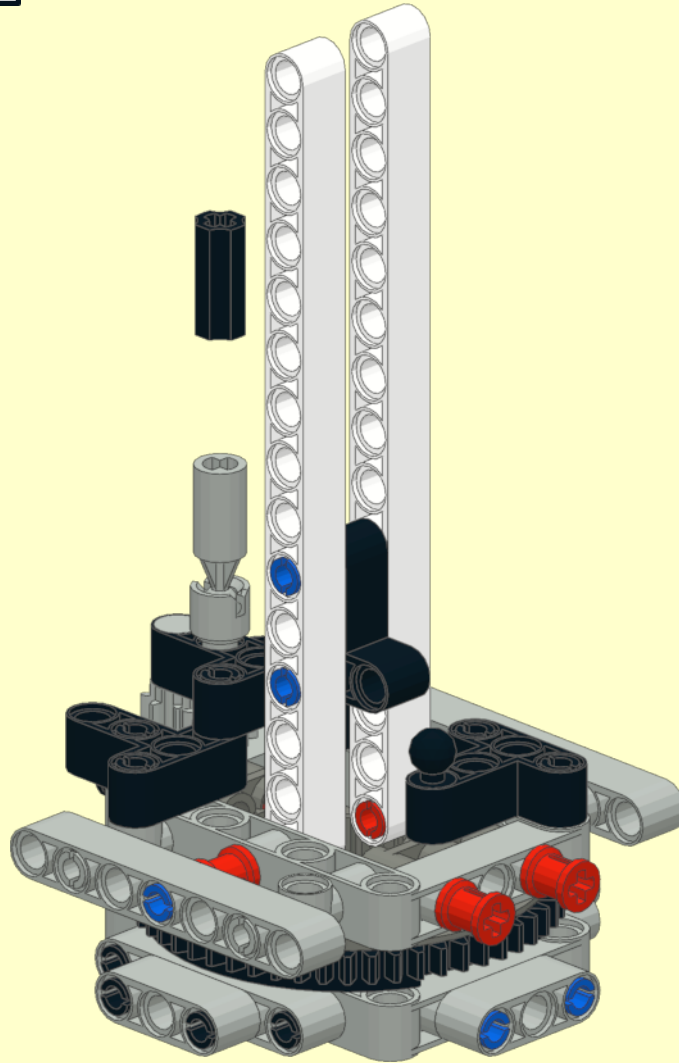
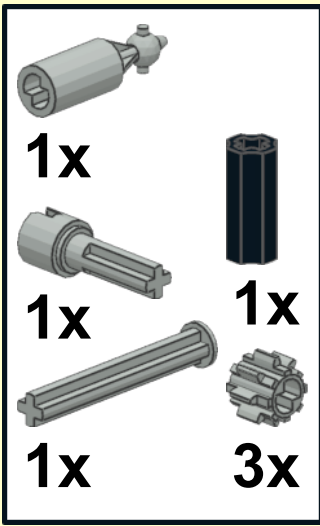
1x



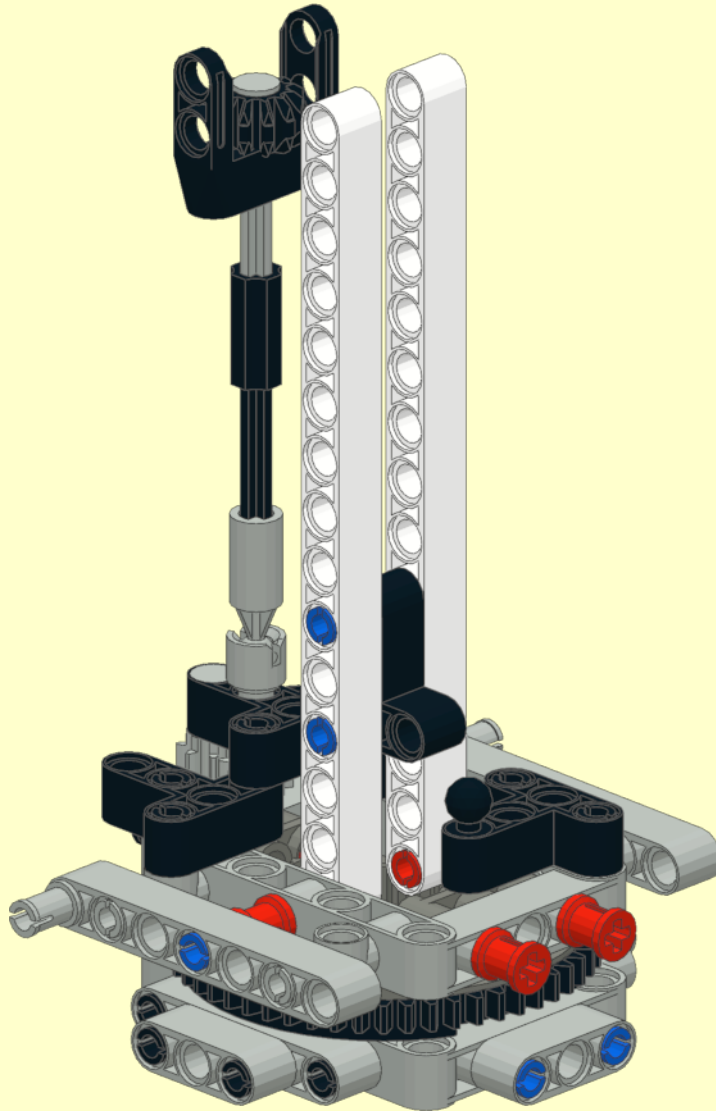
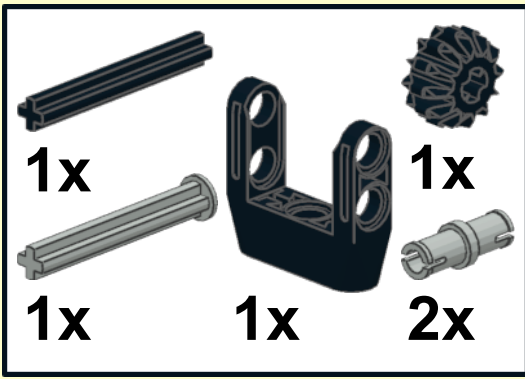
3x




13

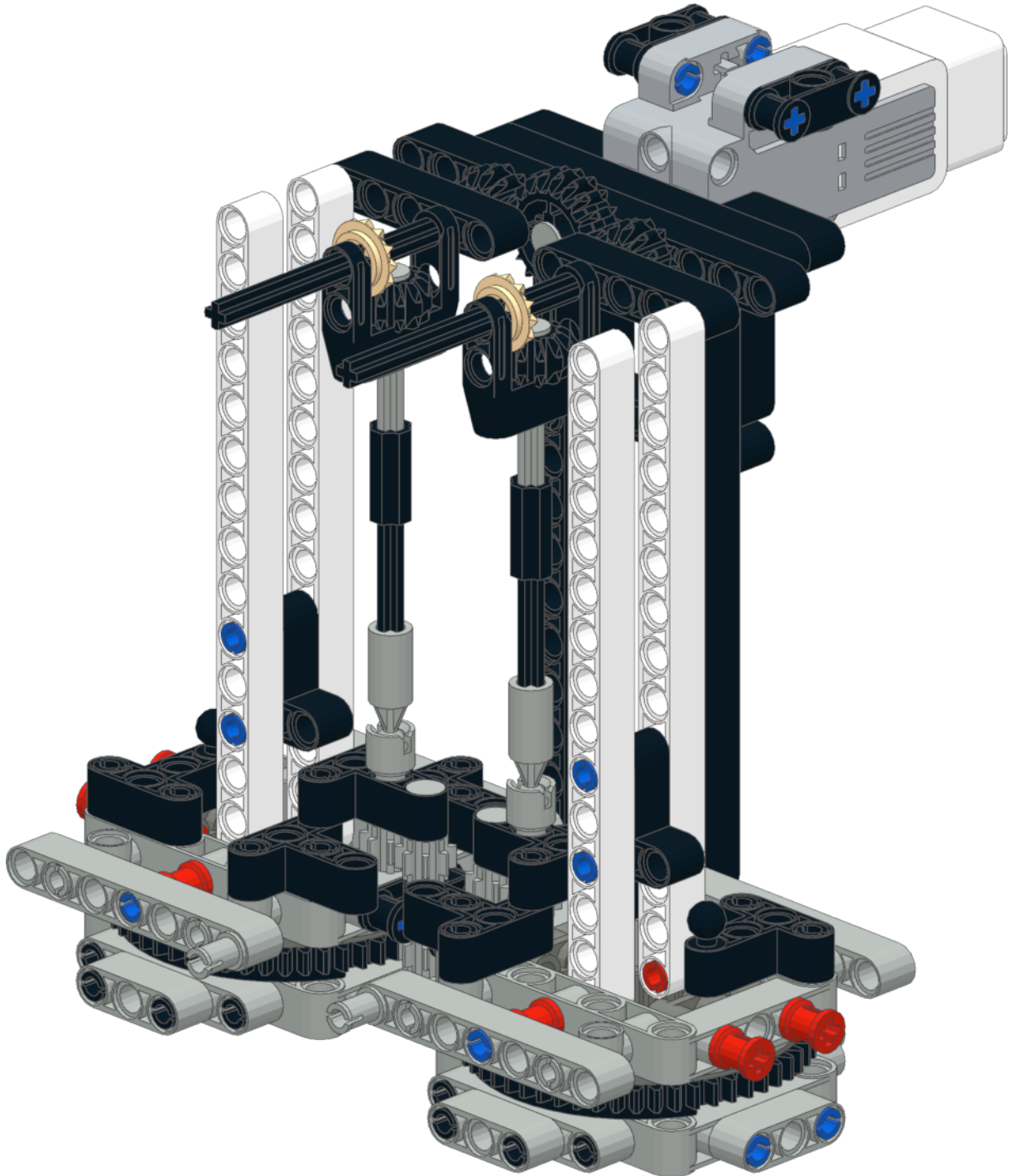


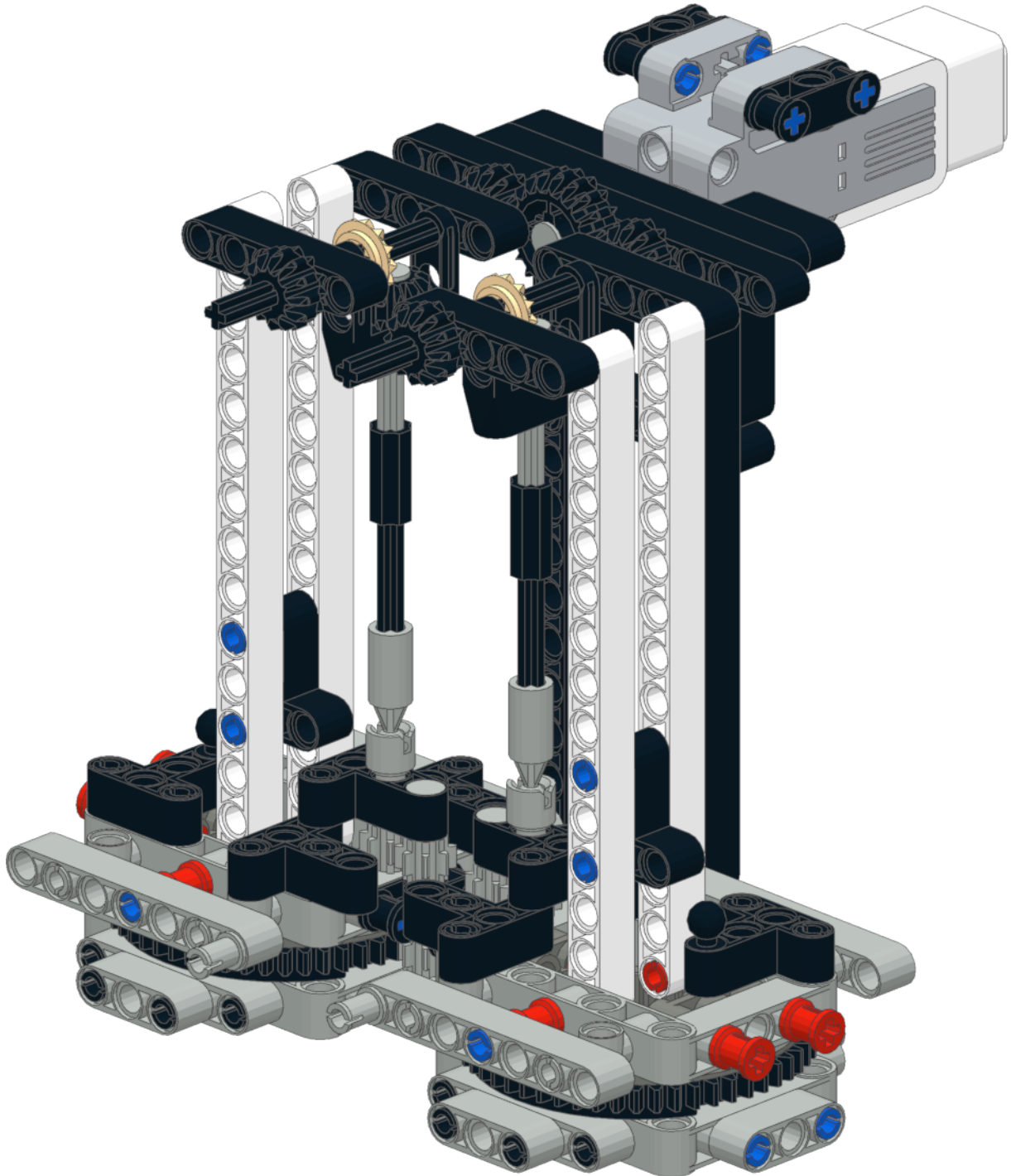
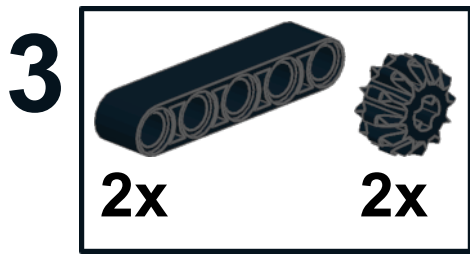
14



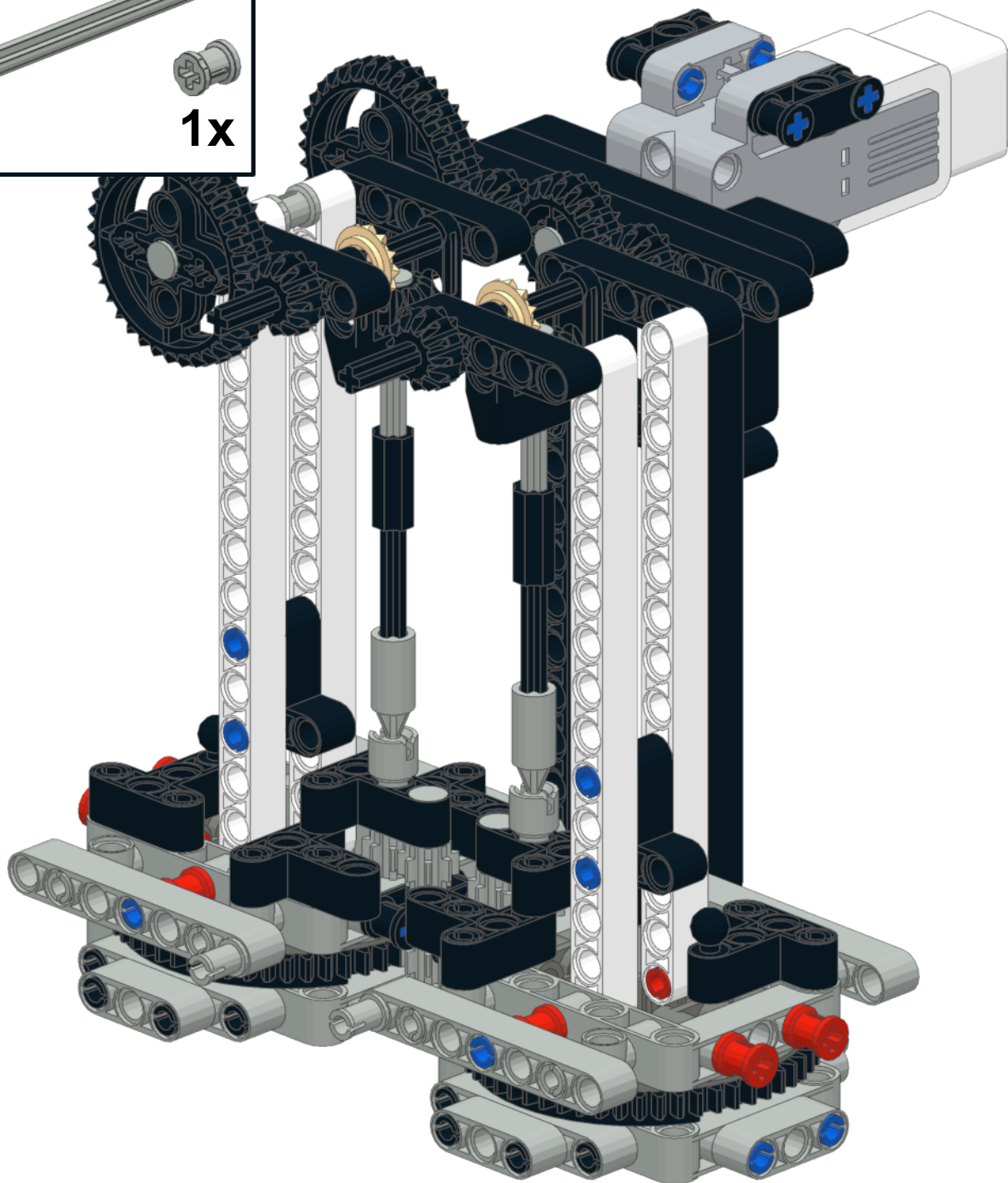
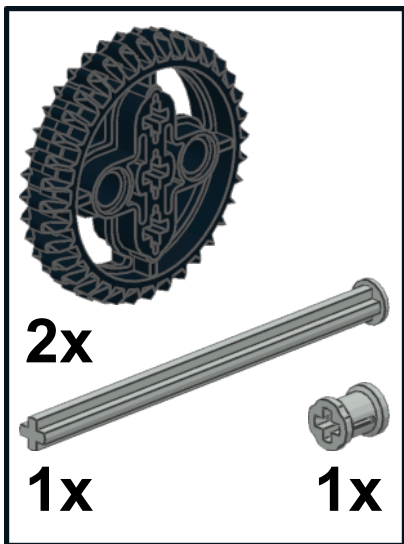
x2

2  2x

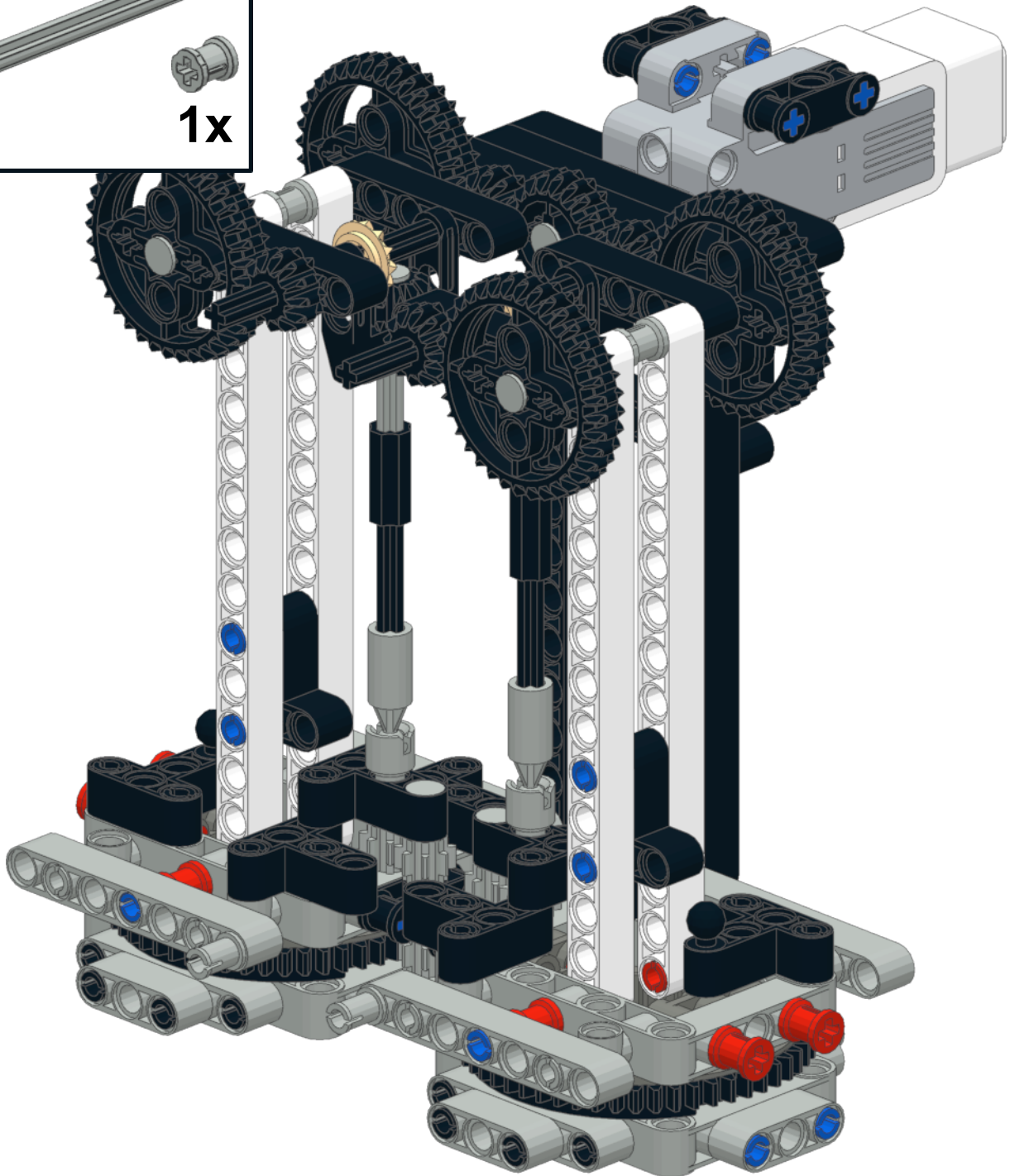
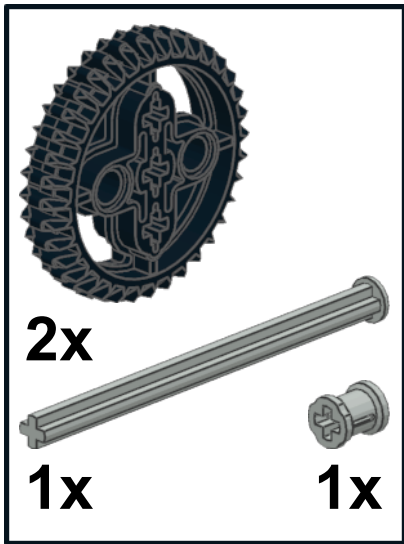




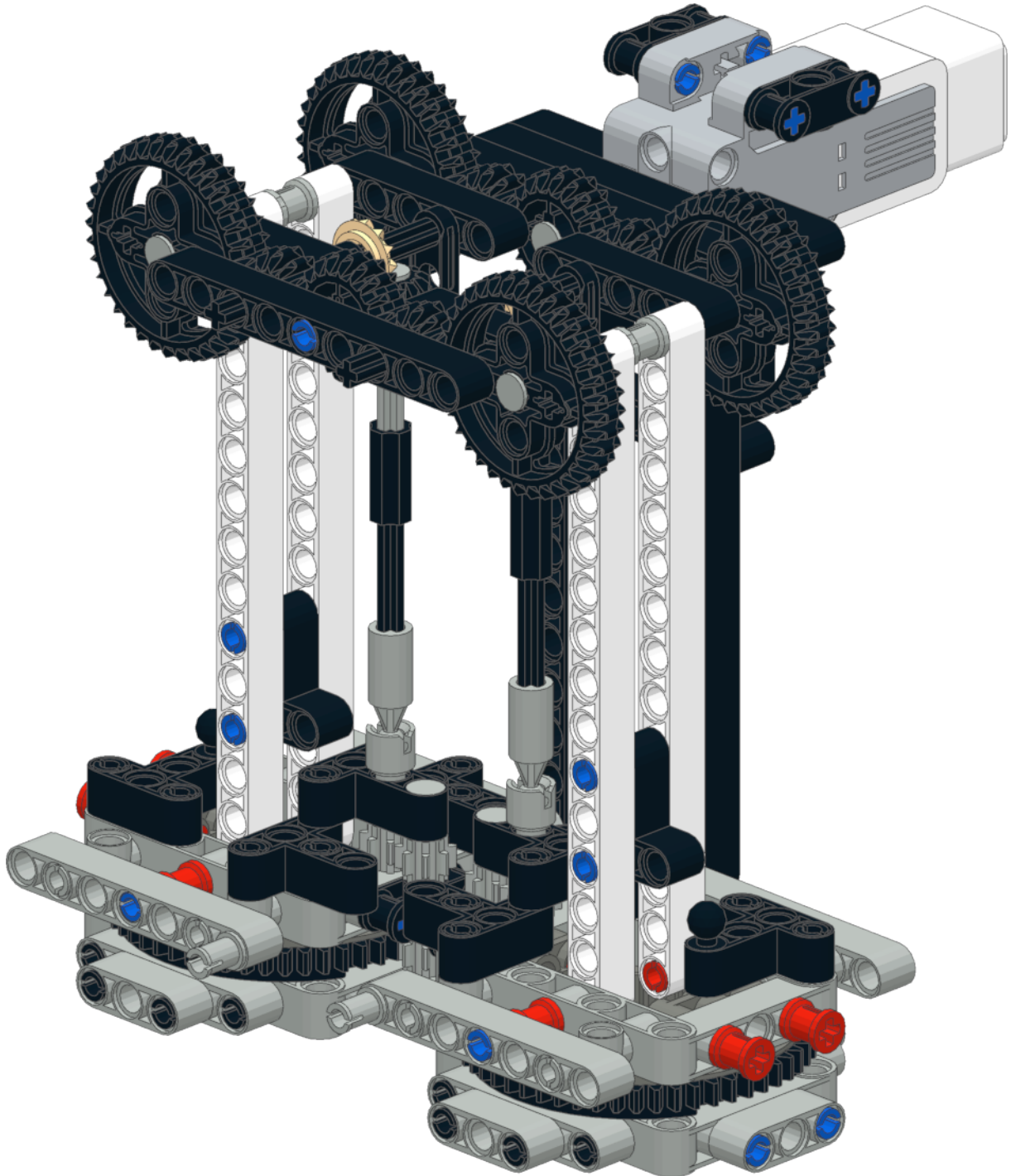
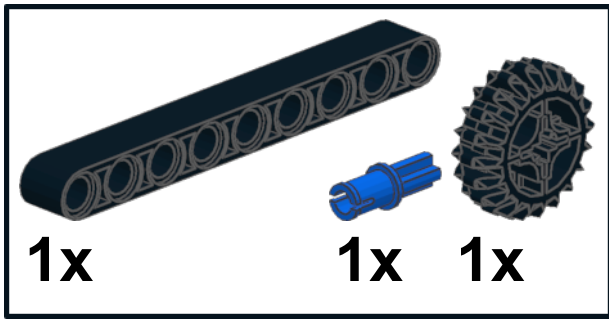
4



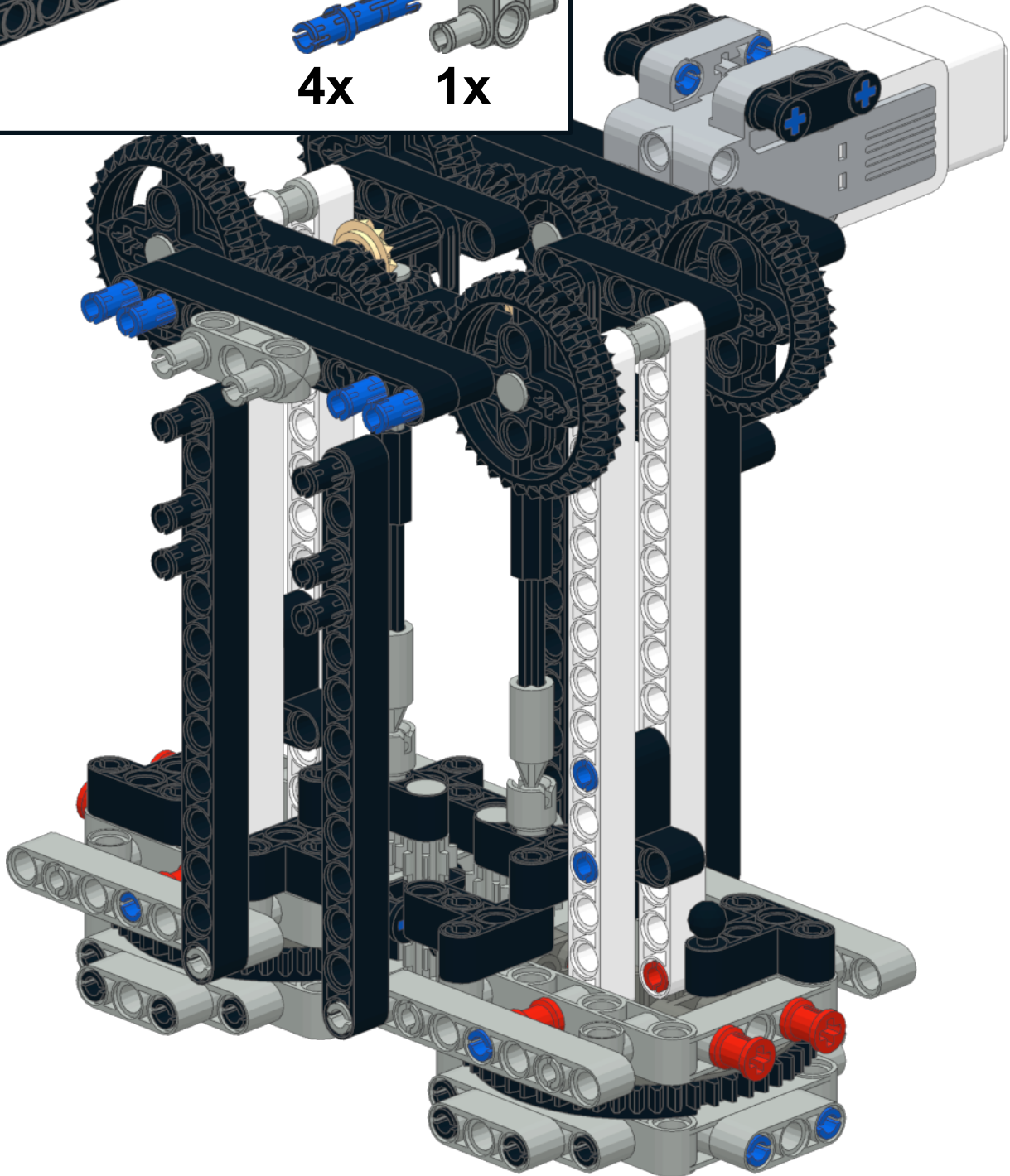
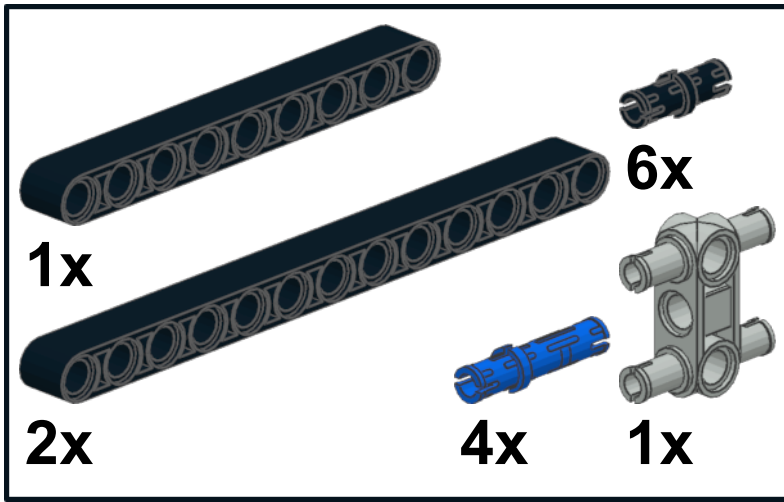
5



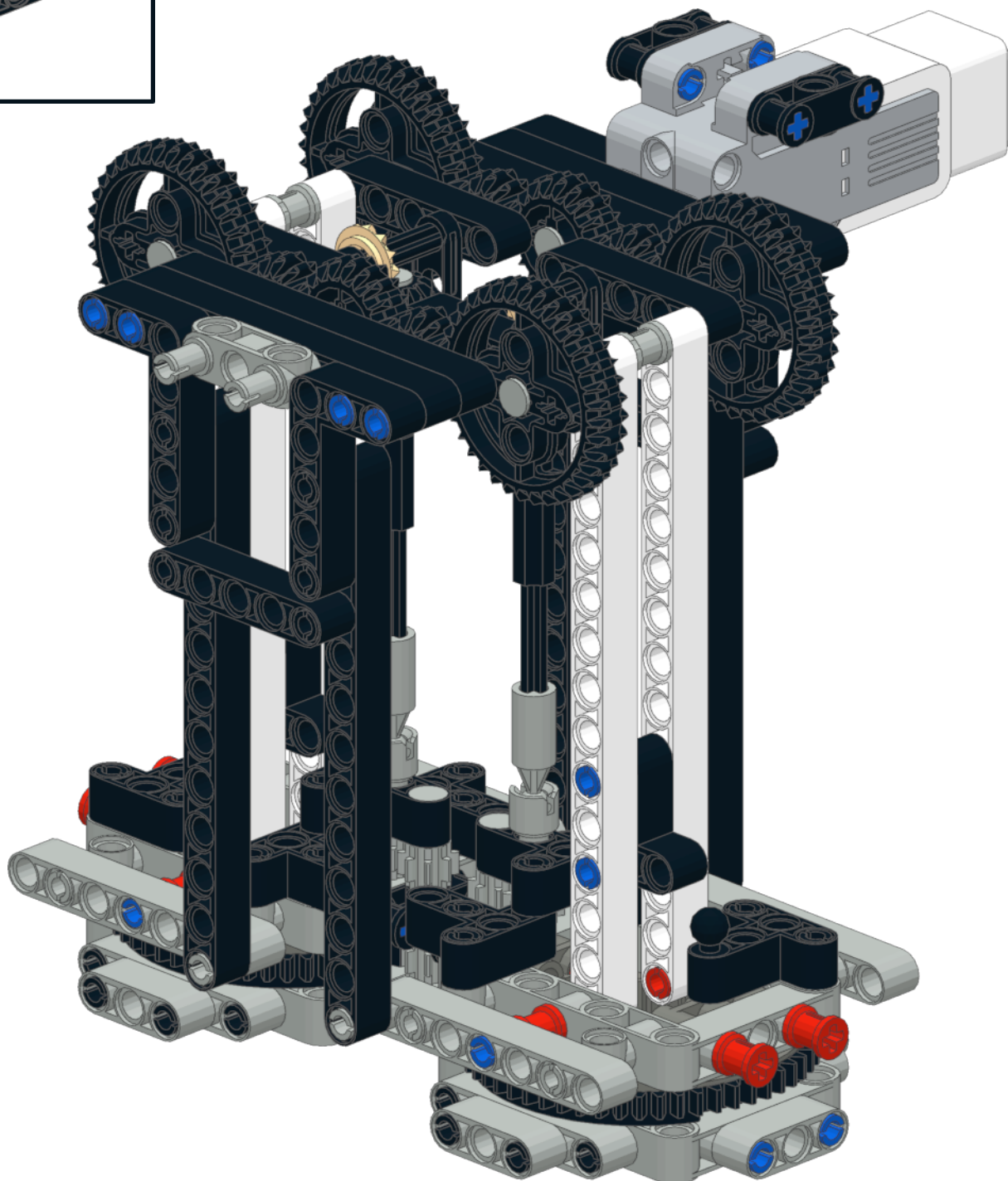
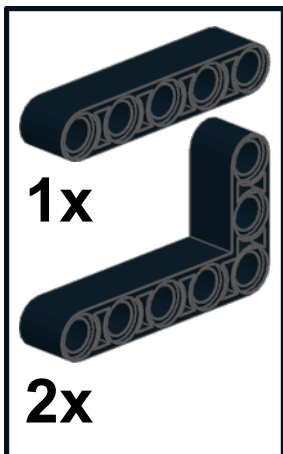
6



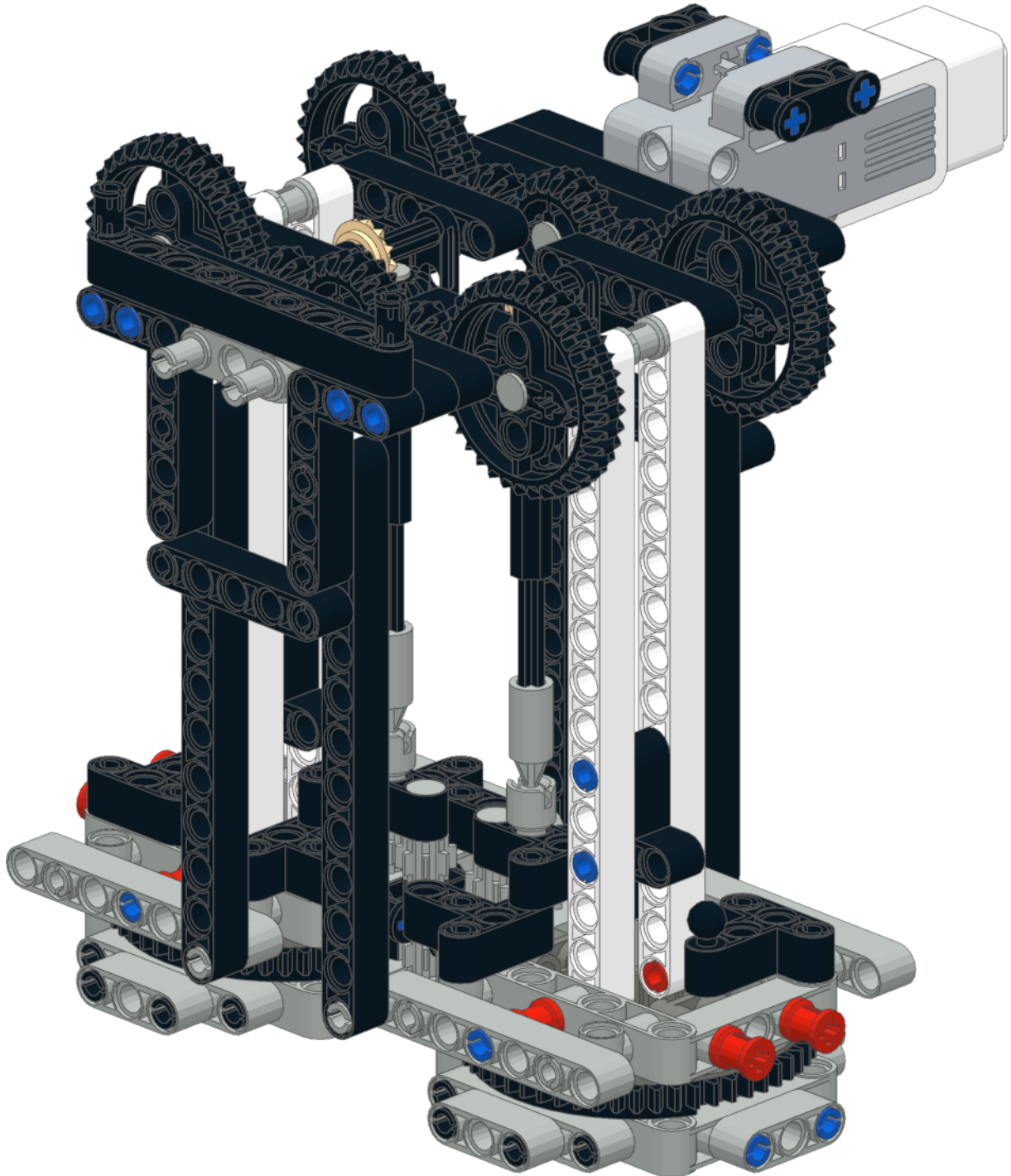
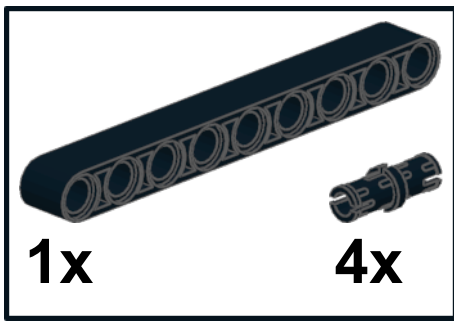
7



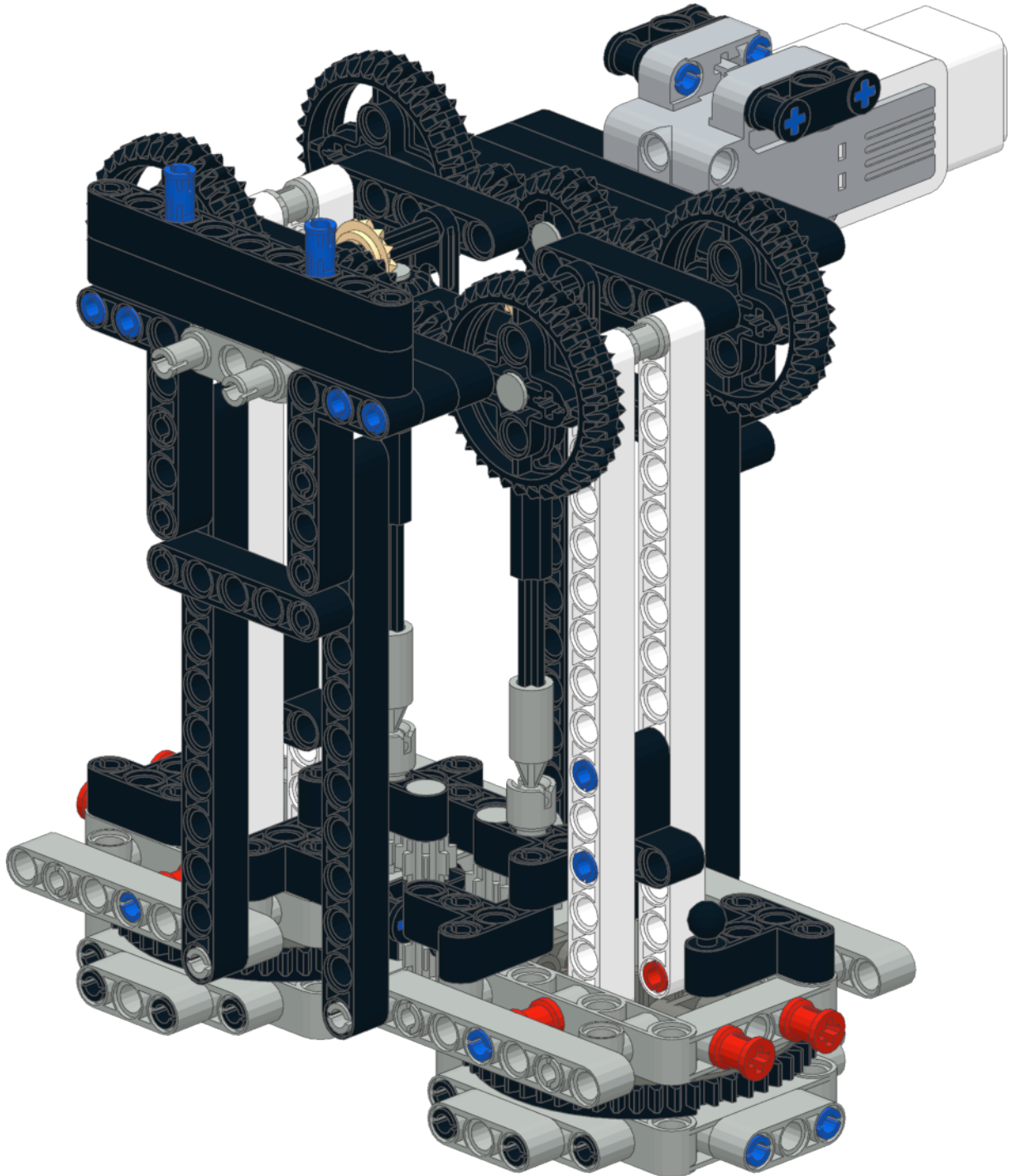
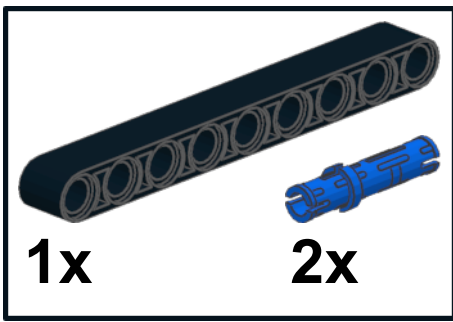
8



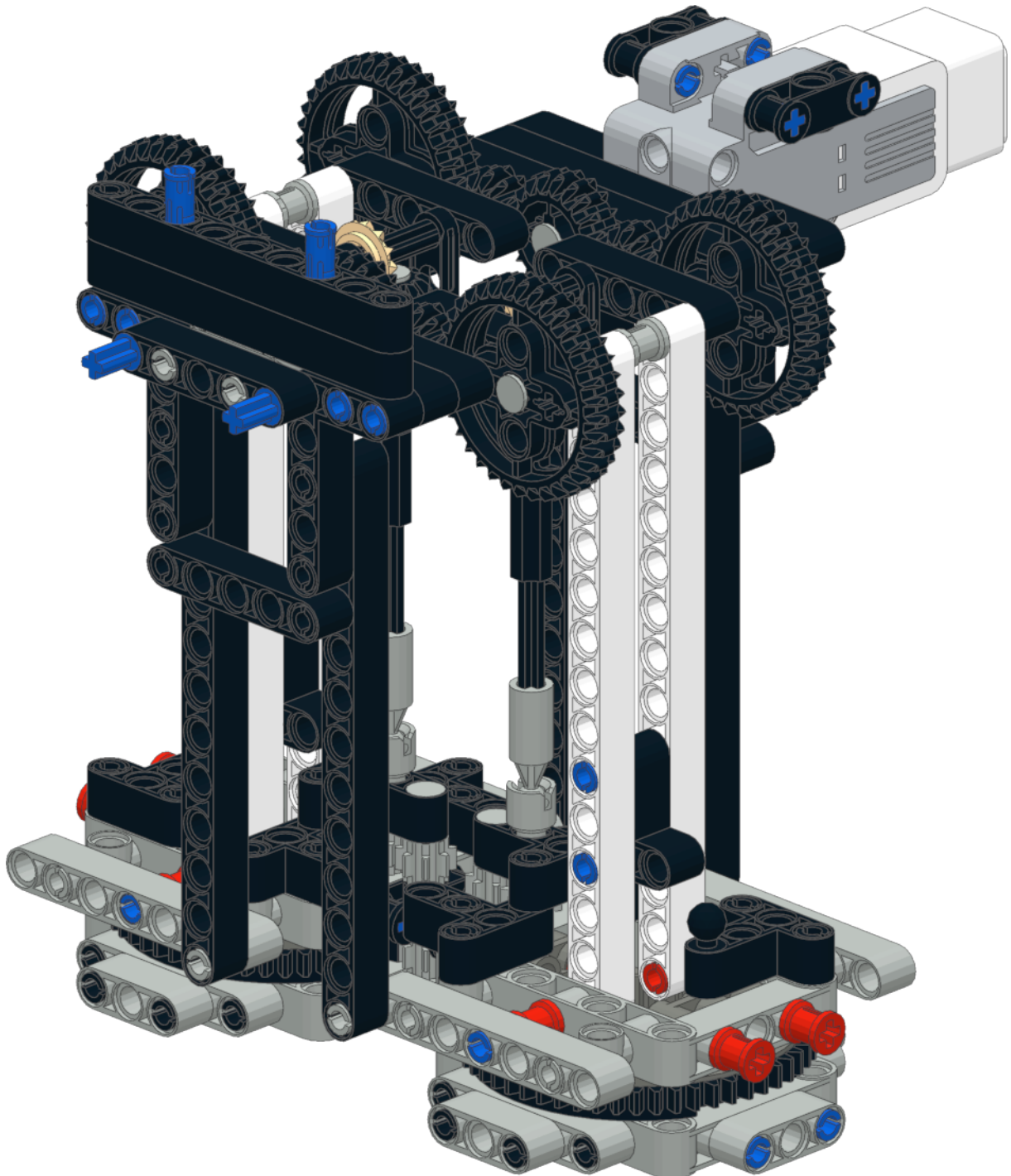
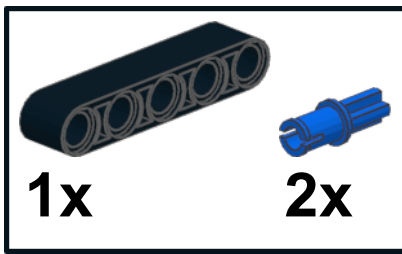
9



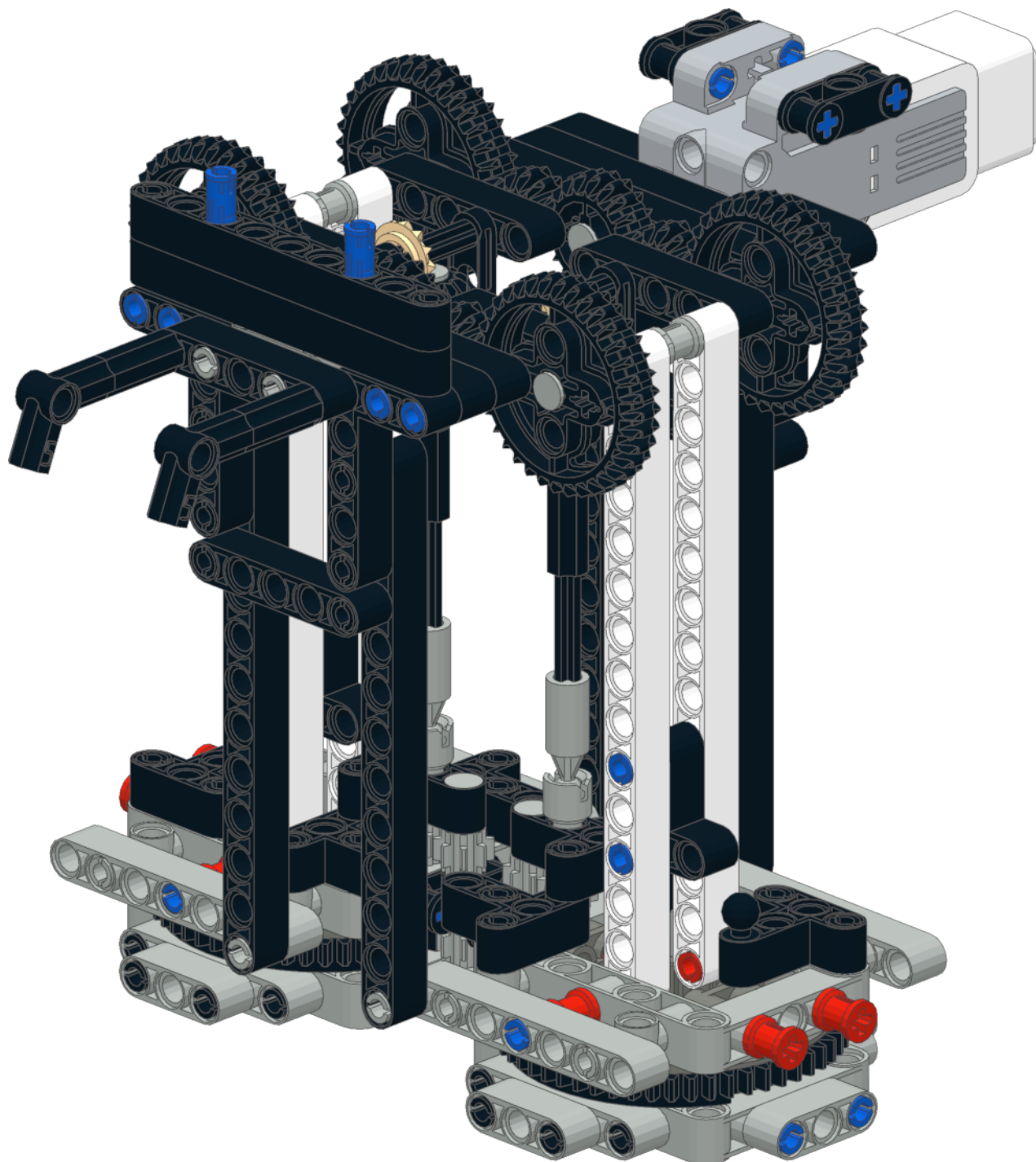
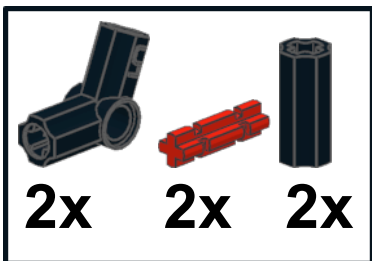
10



11



12



13

