

I'M REMOTELY POSSIBLE

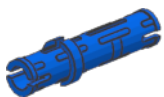
by Stu Nicholls

<http://www.stunicholls.com>

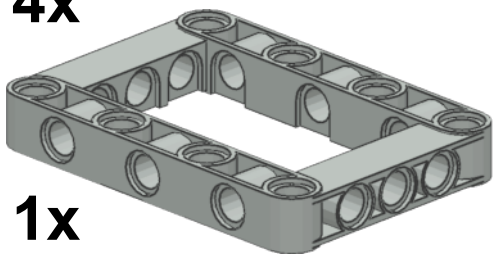
**Biped walker using just one medium motor and
remote controlled using two buttons**



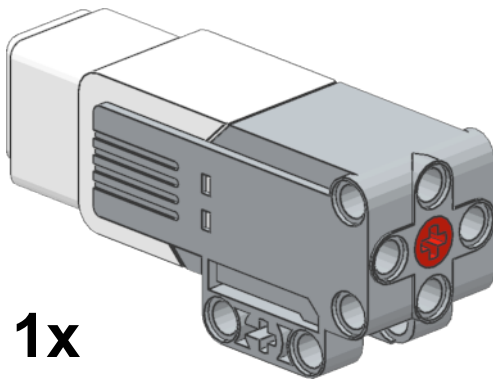
1



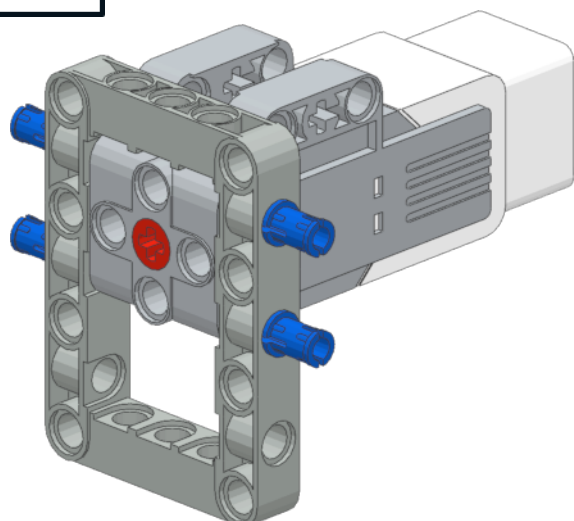
4x



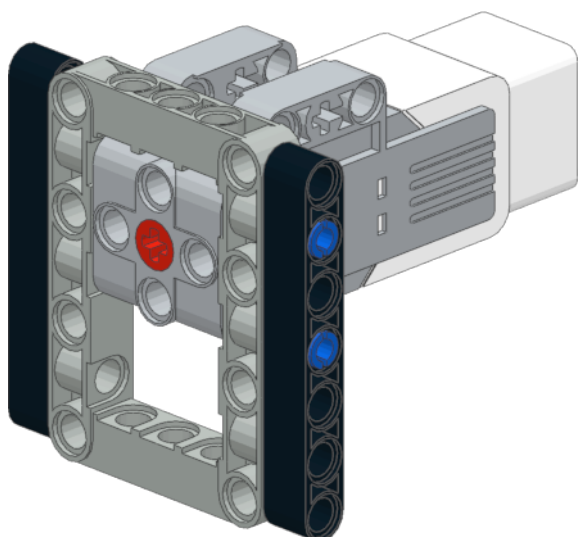
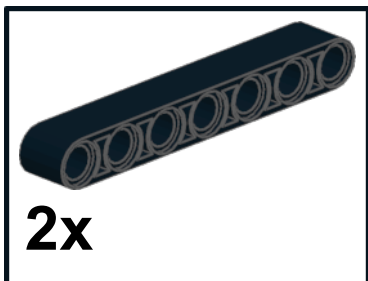
1x

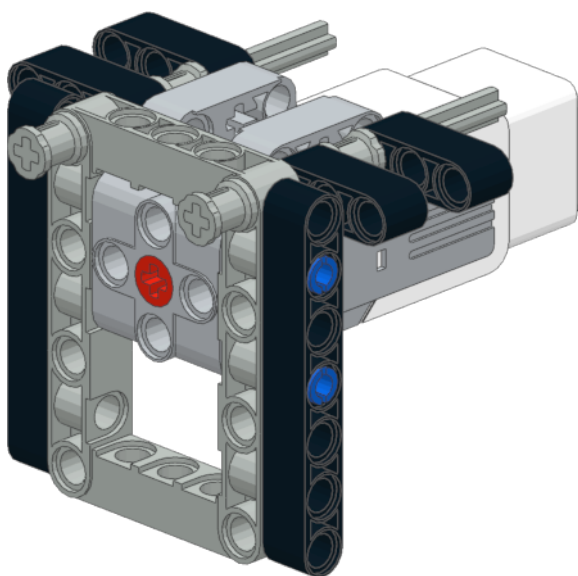
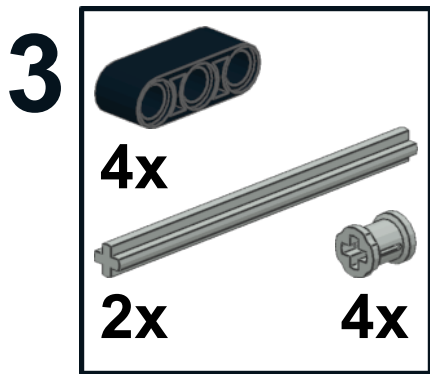


1x

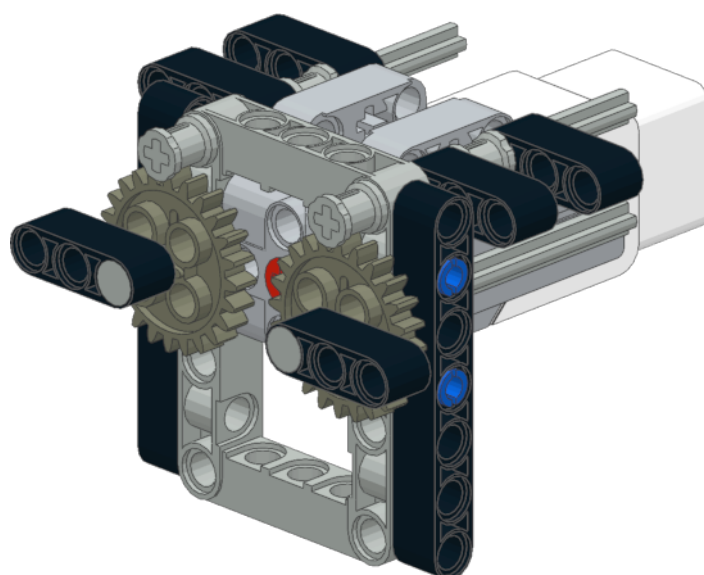
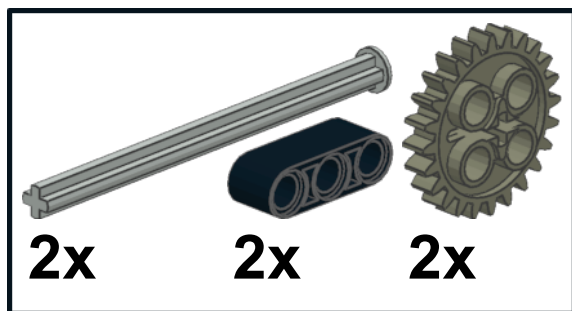


2

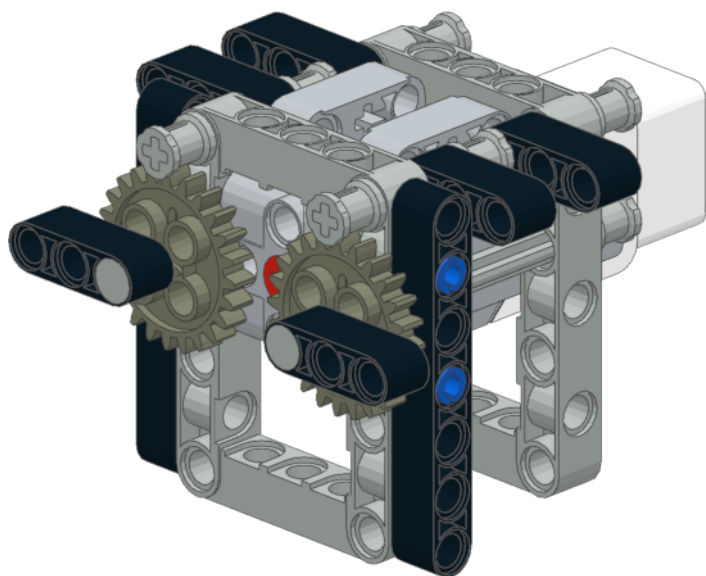
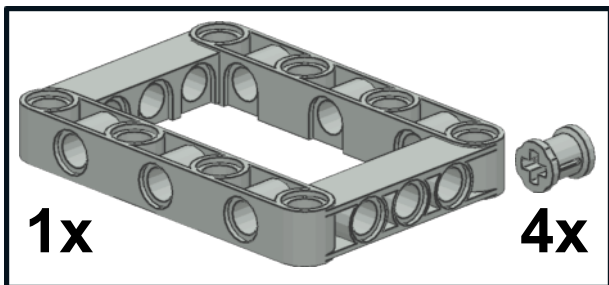




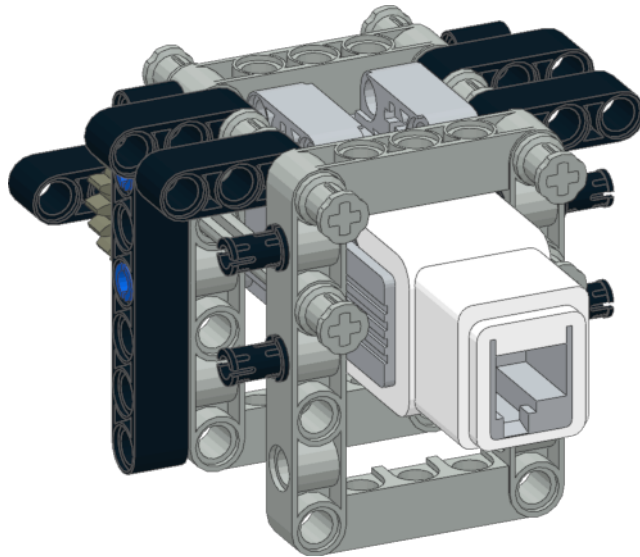
4



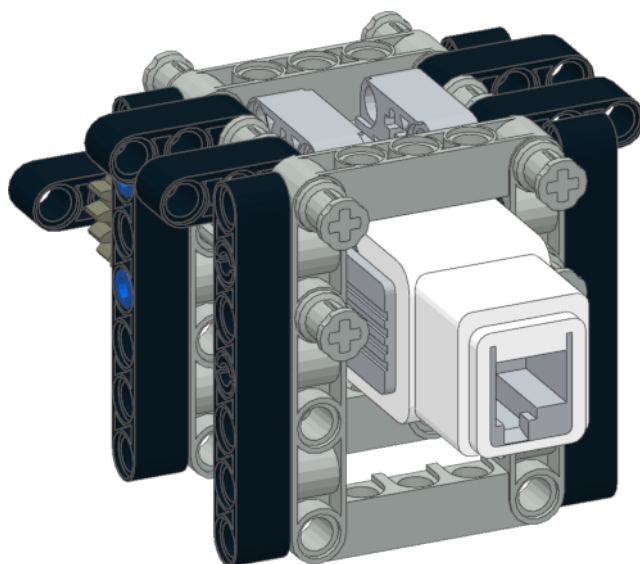
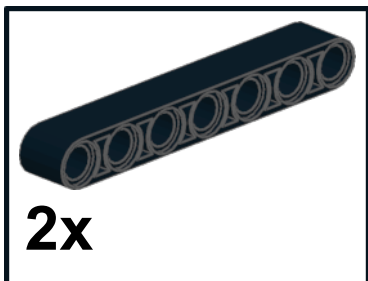
5



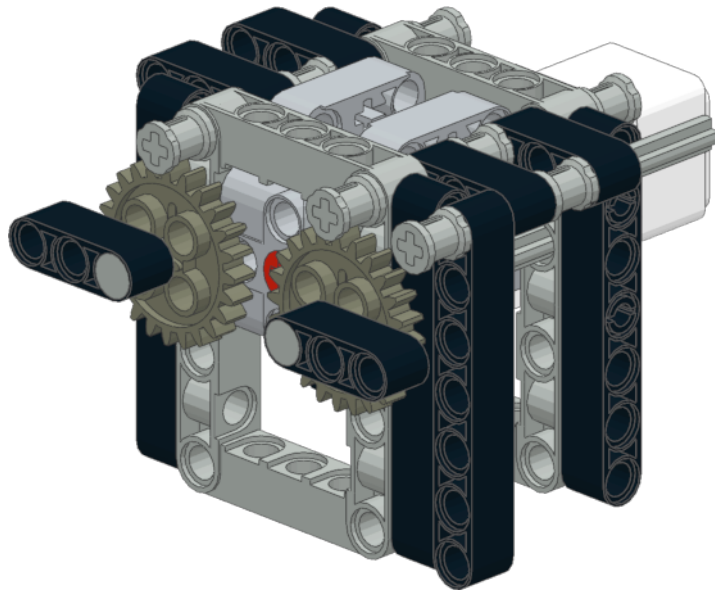
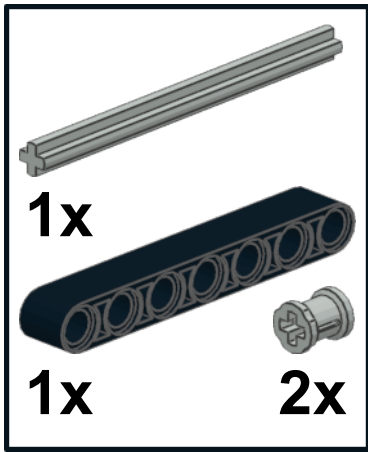
6
4x

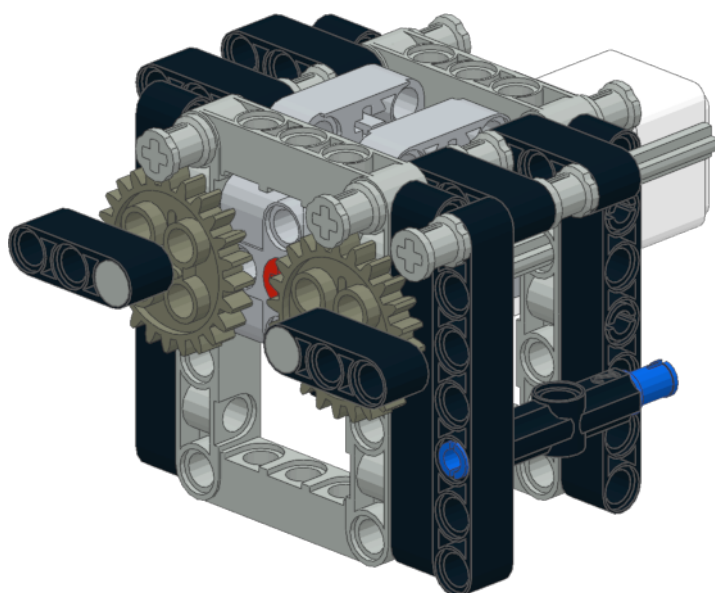
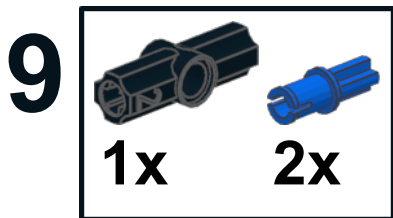


7

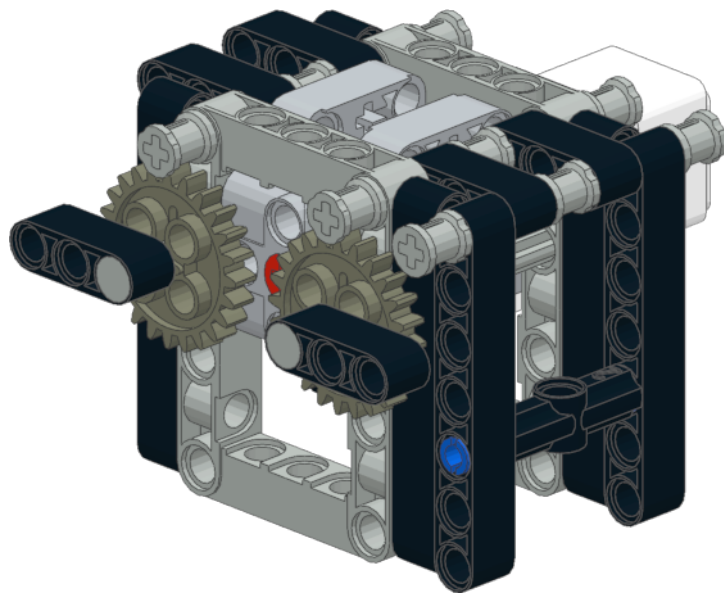
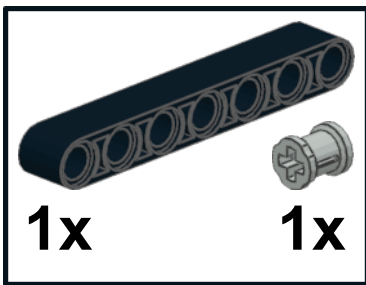


8

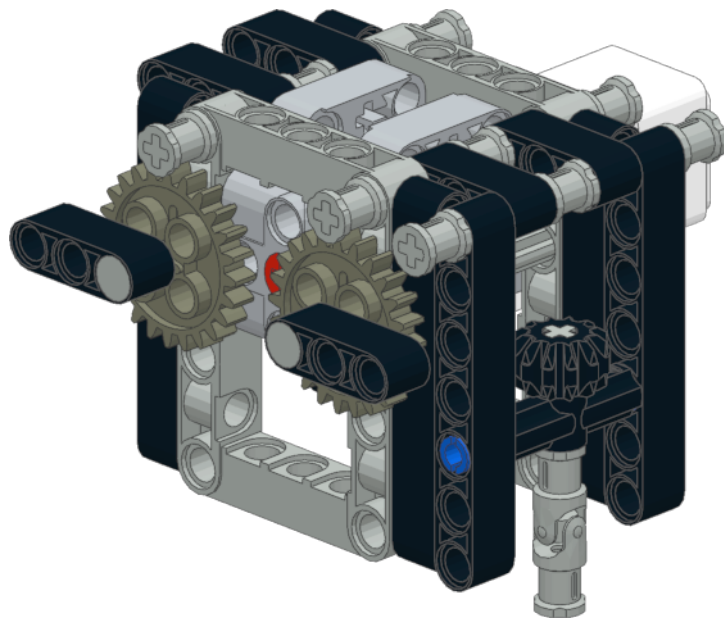
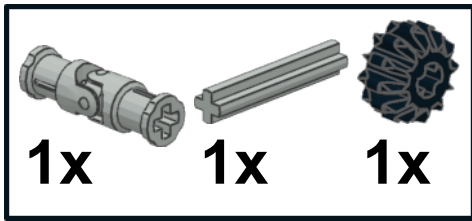




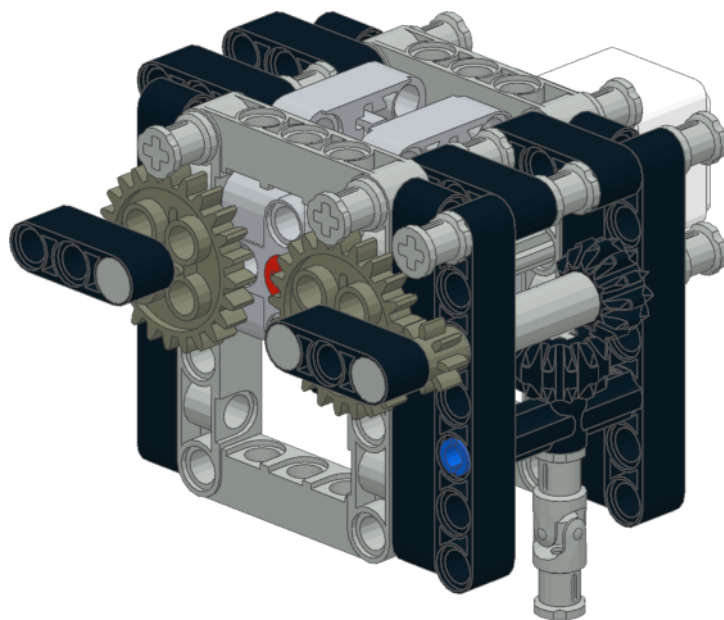
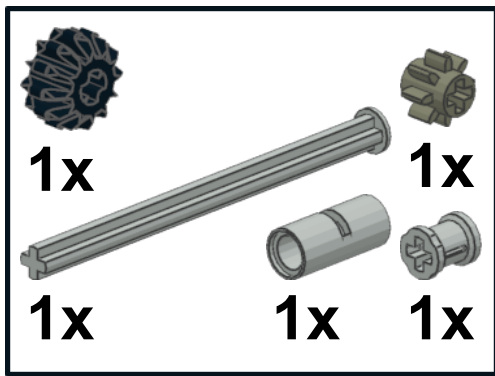
10



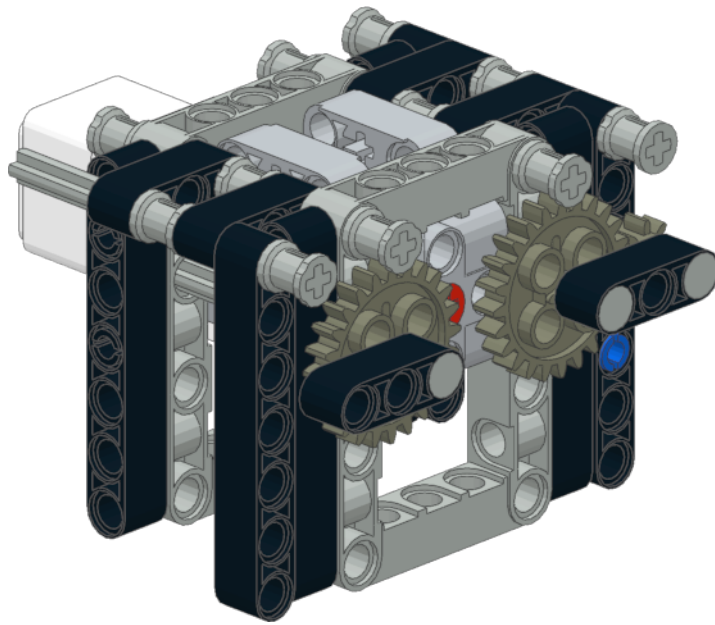
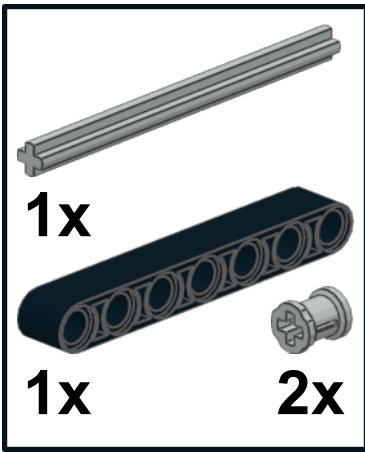
11



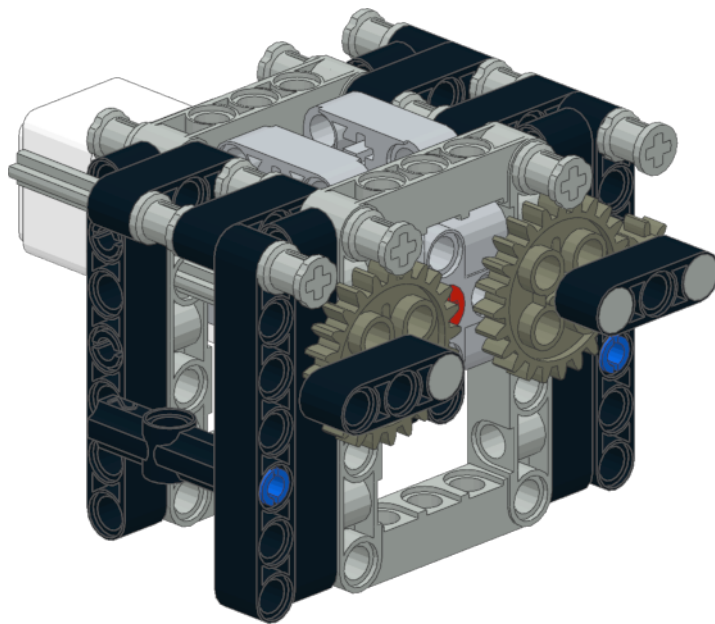
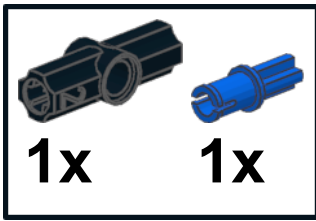
12



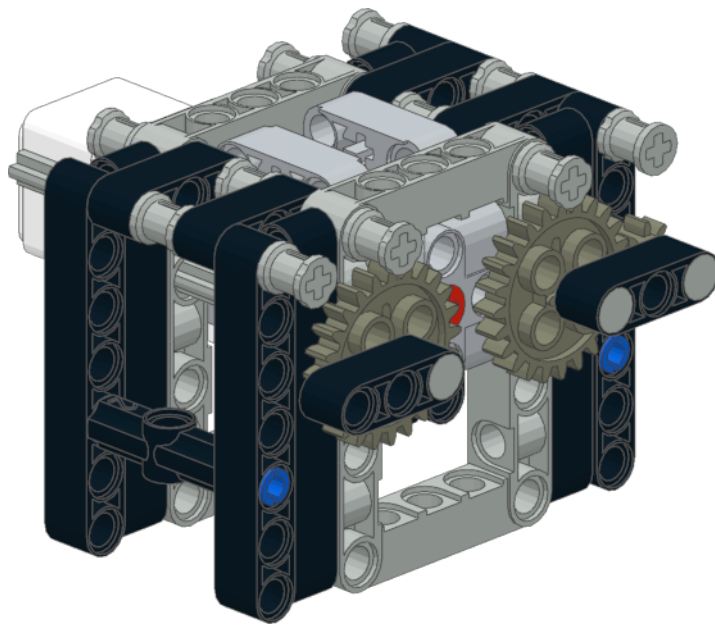
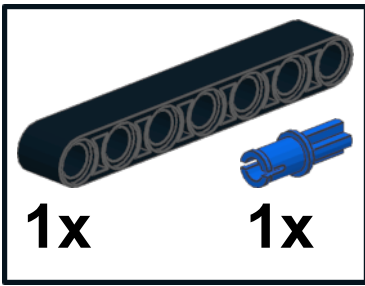
13



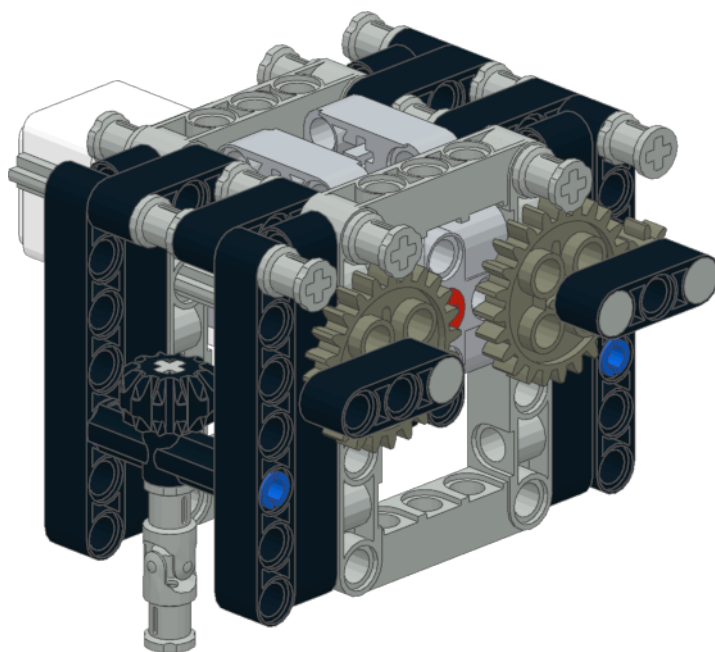
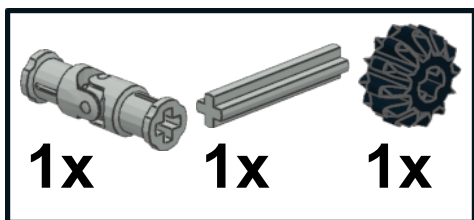
14



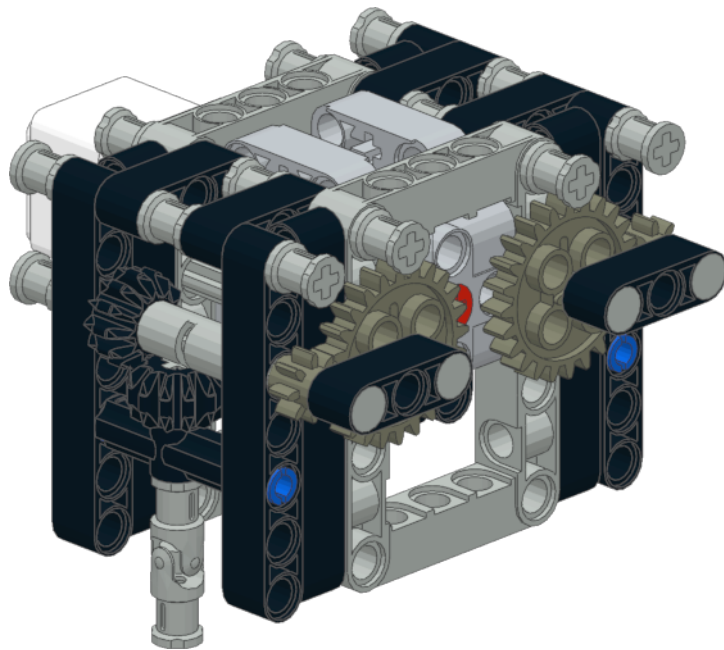
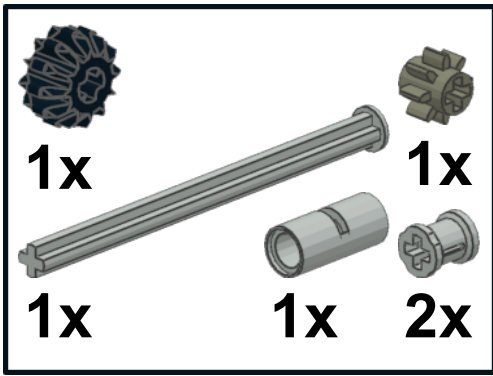
15



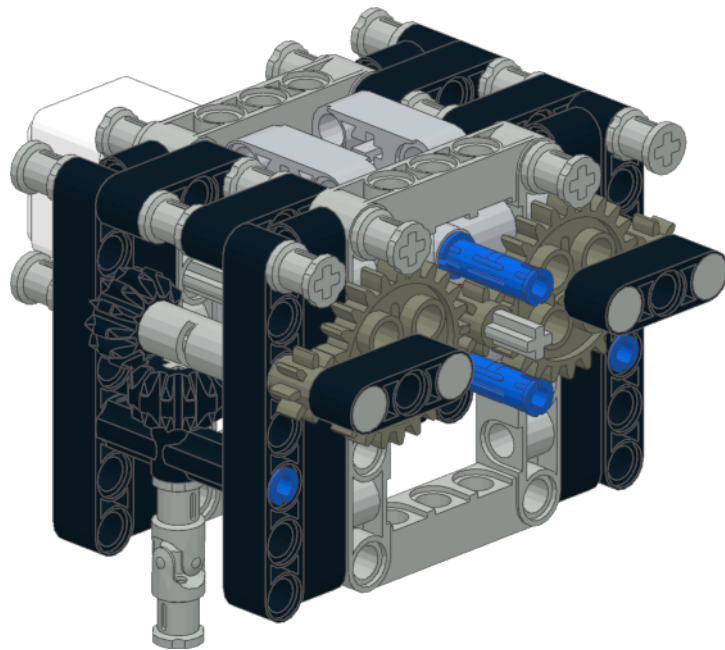
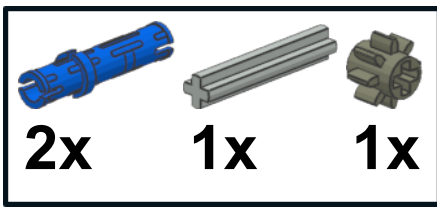
16



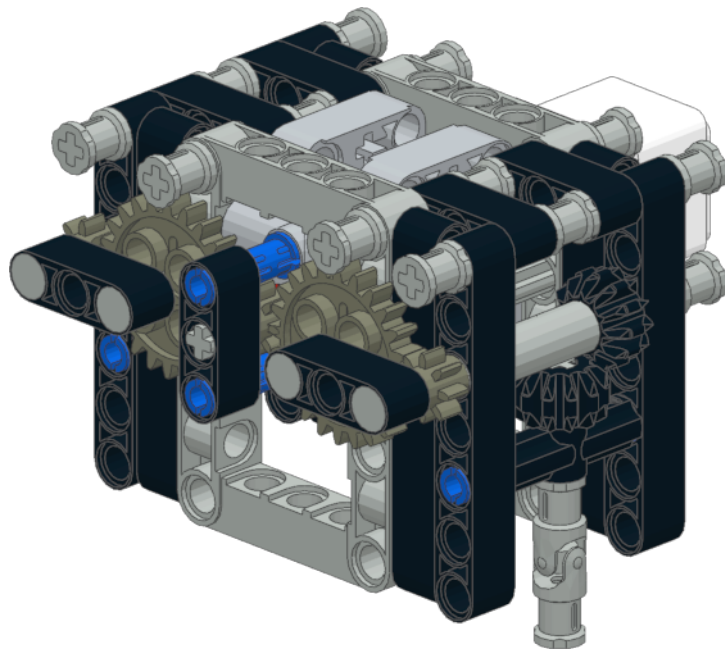
17



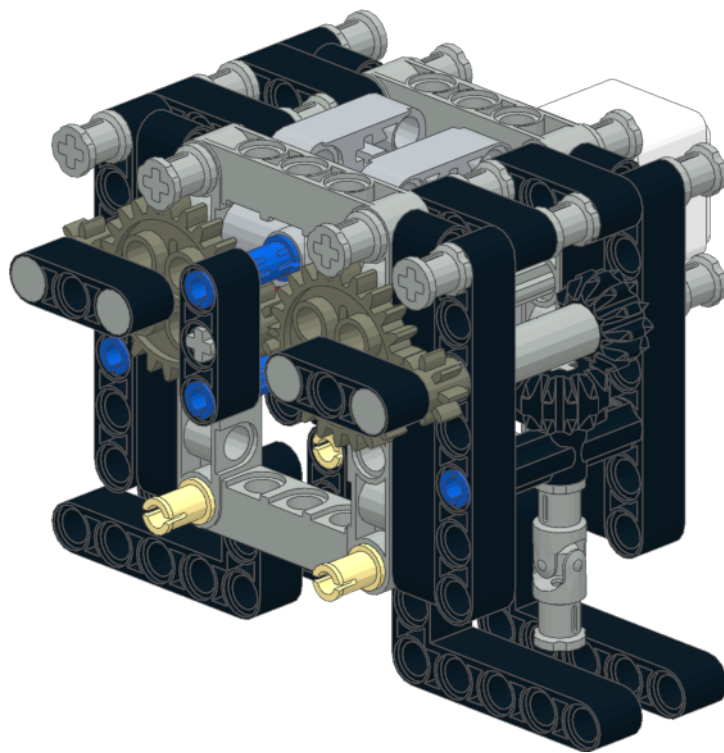
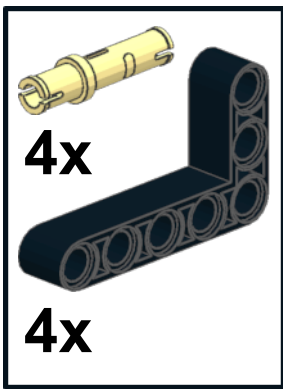
18



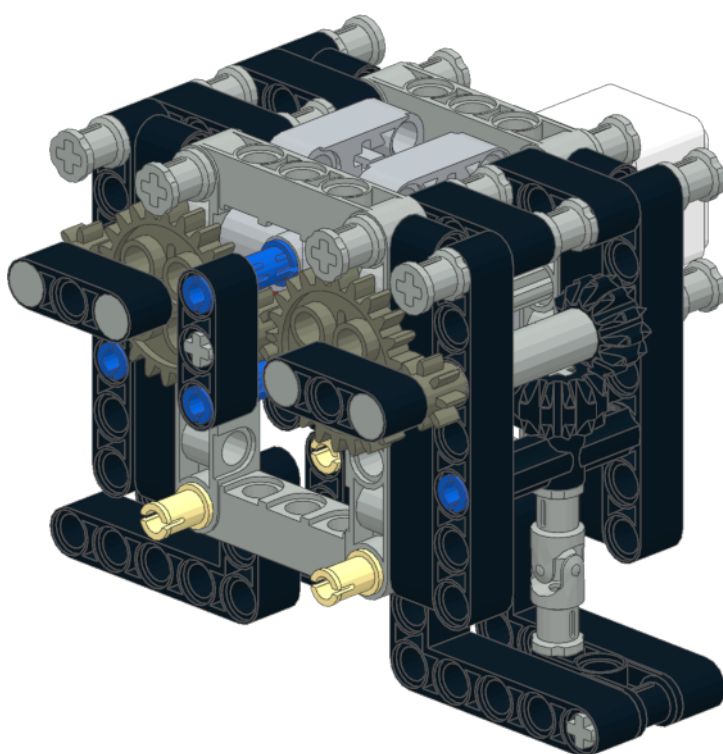
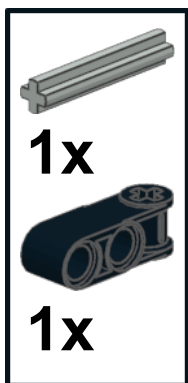
19



20



21



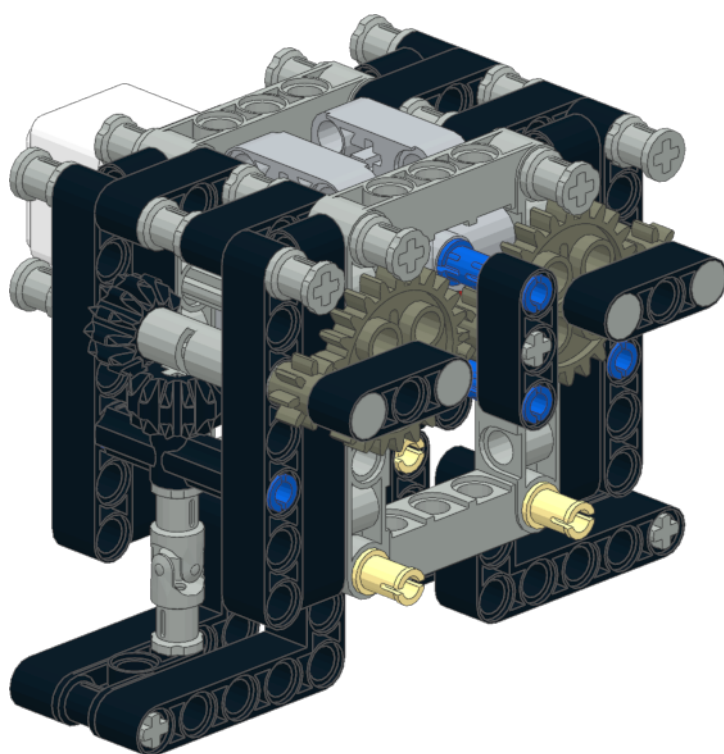
22



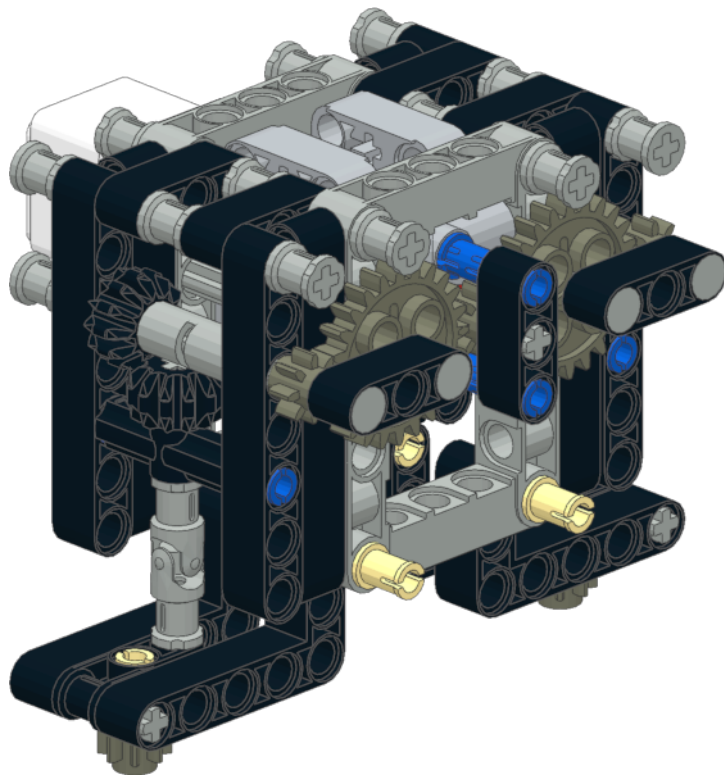
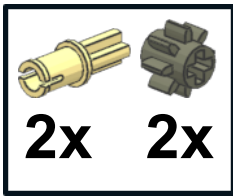
1x



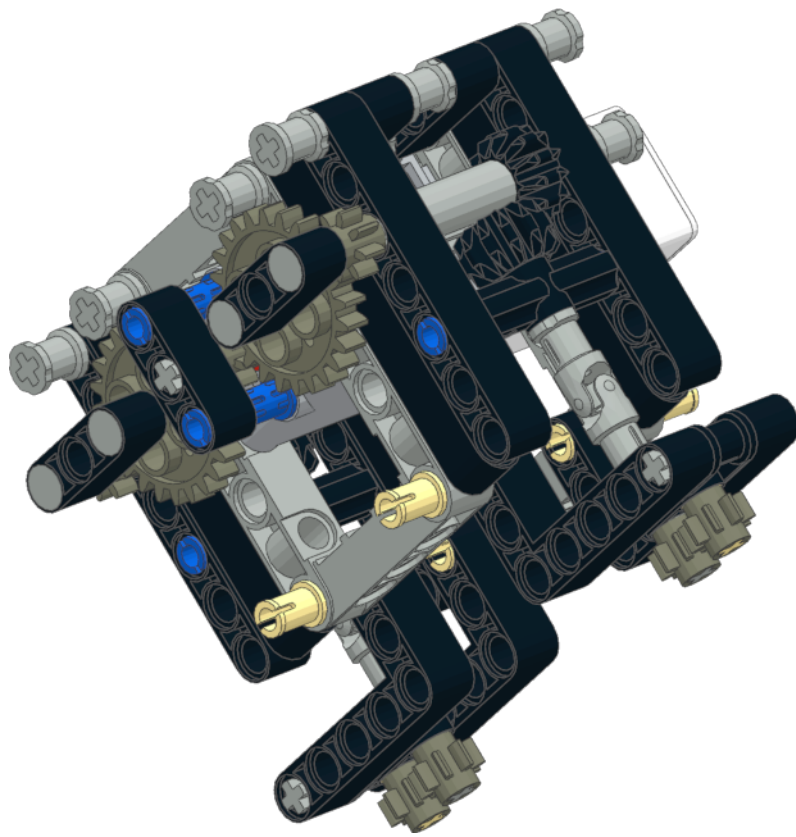
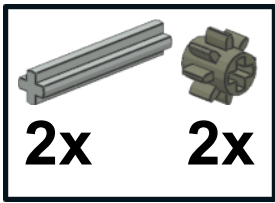
1x



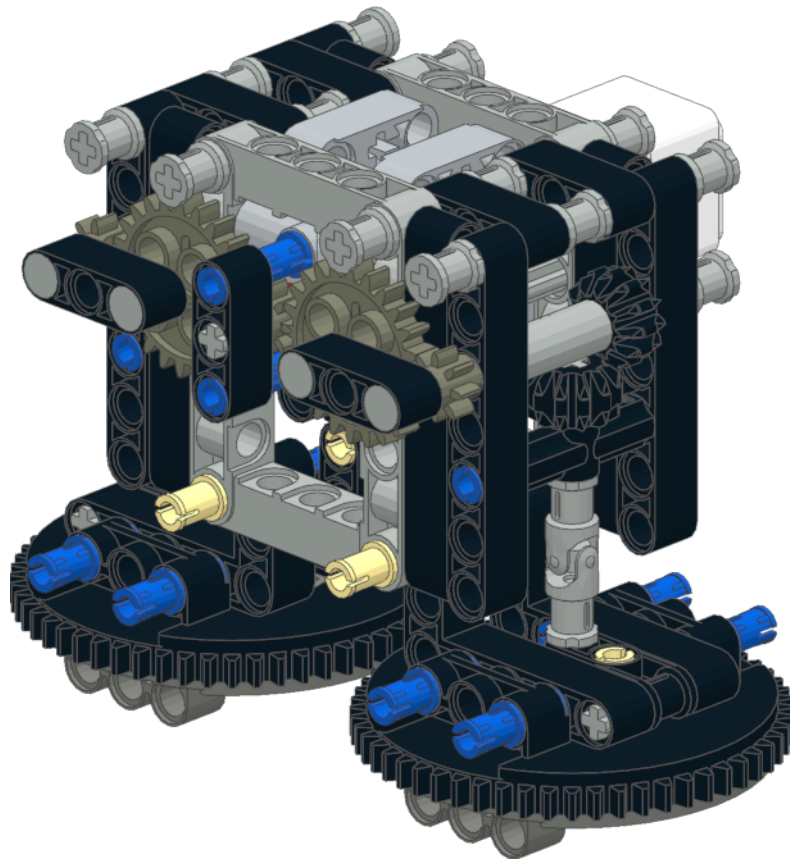
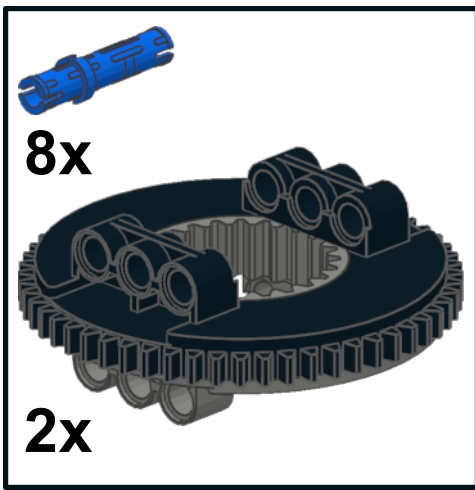
23



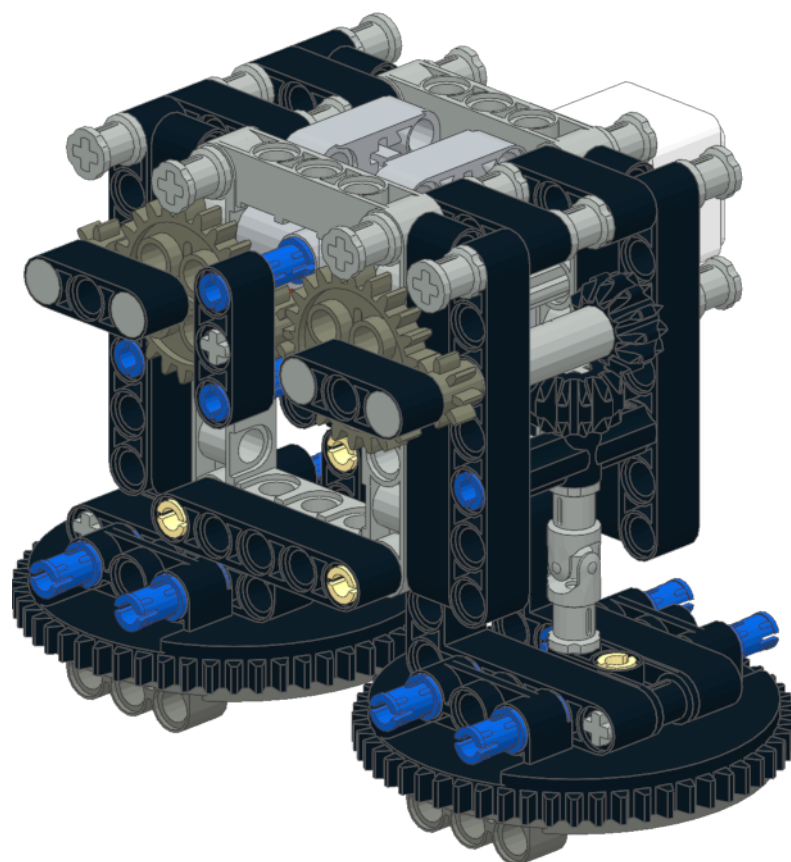
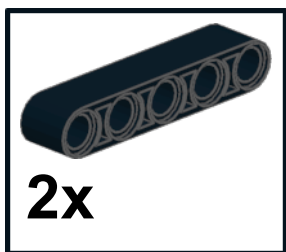
24



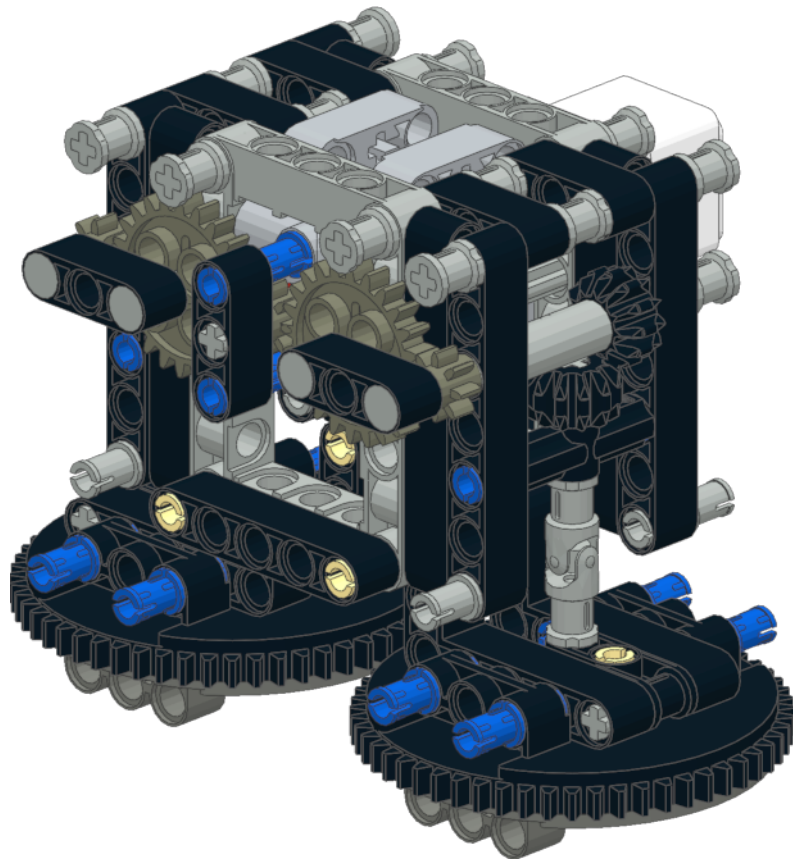
25



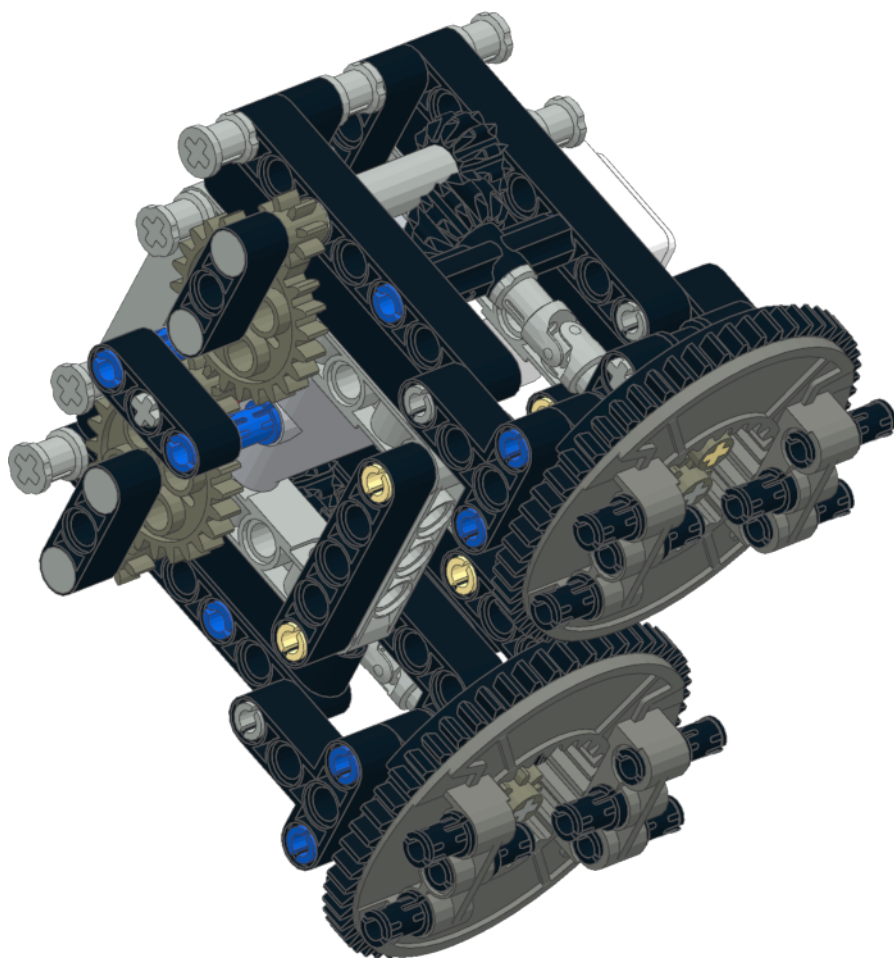
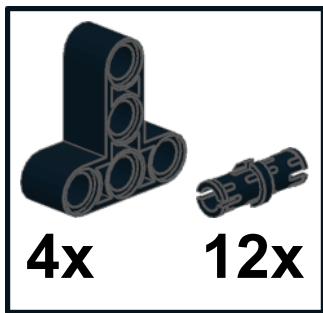
26



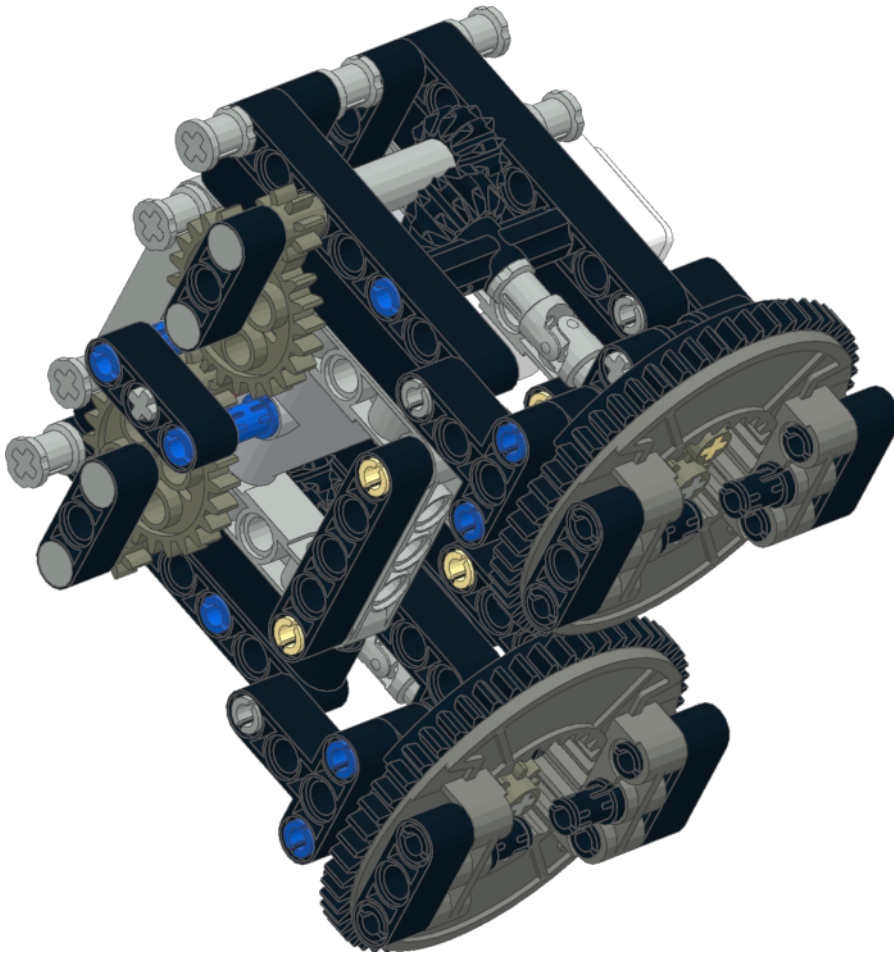
27



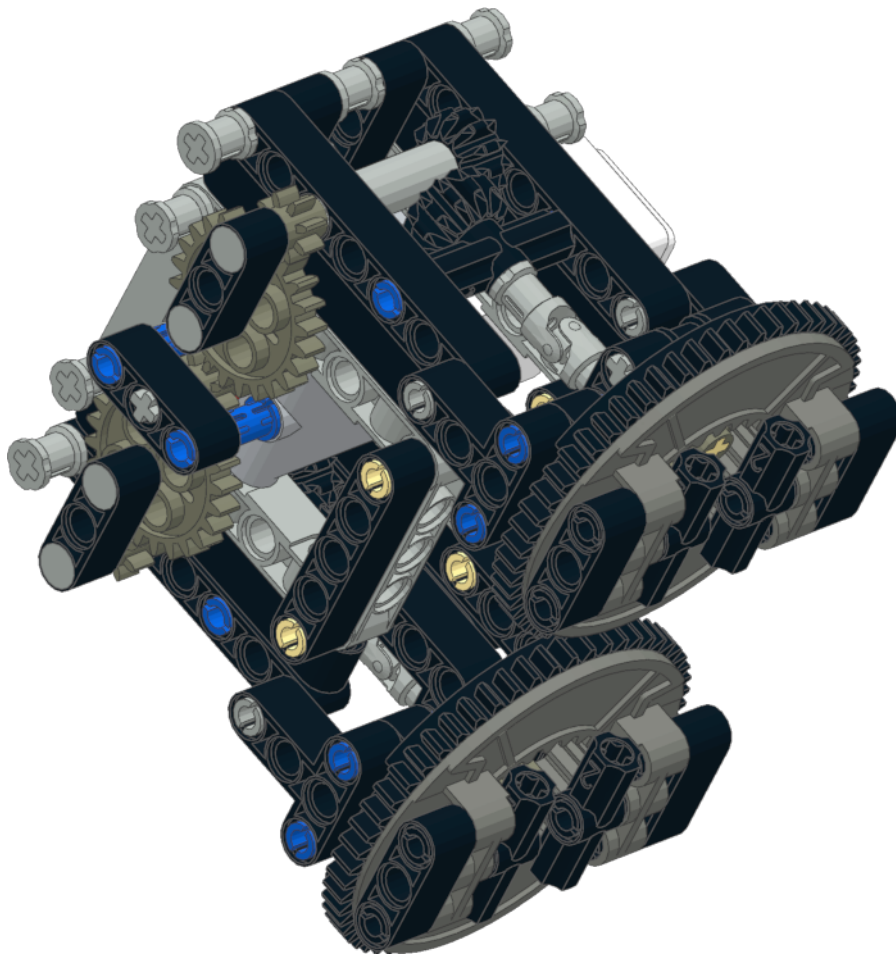
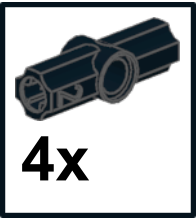
28



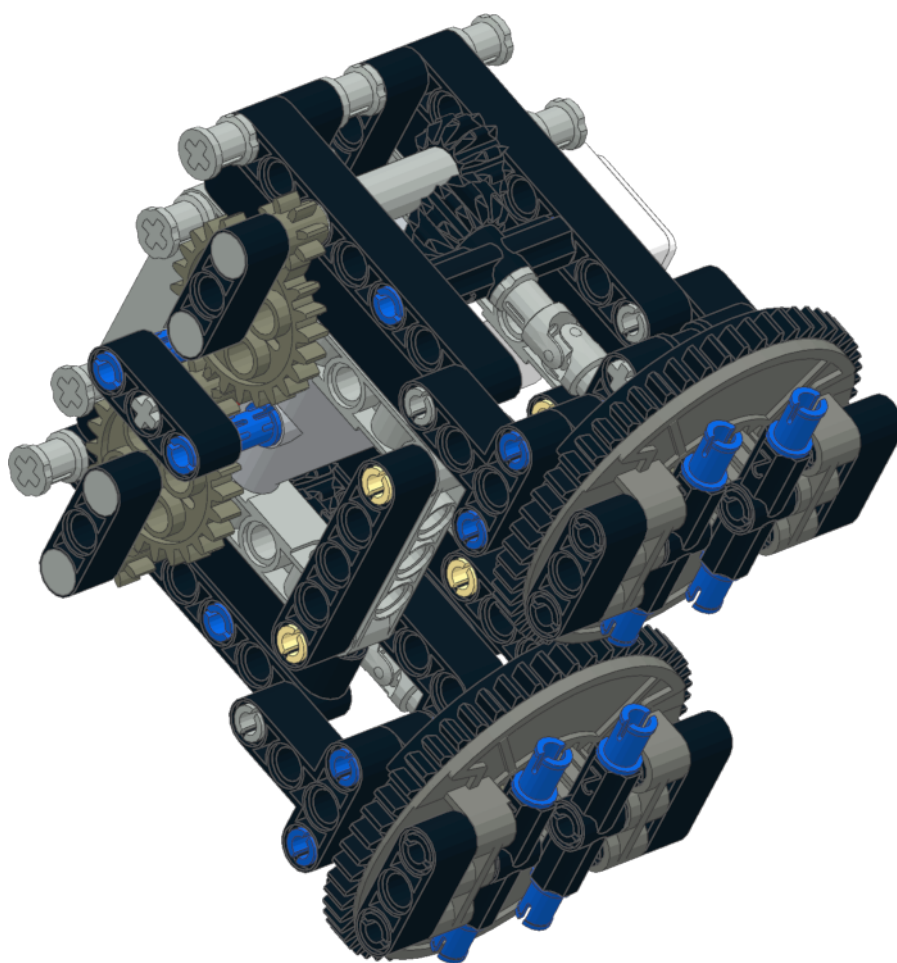
29



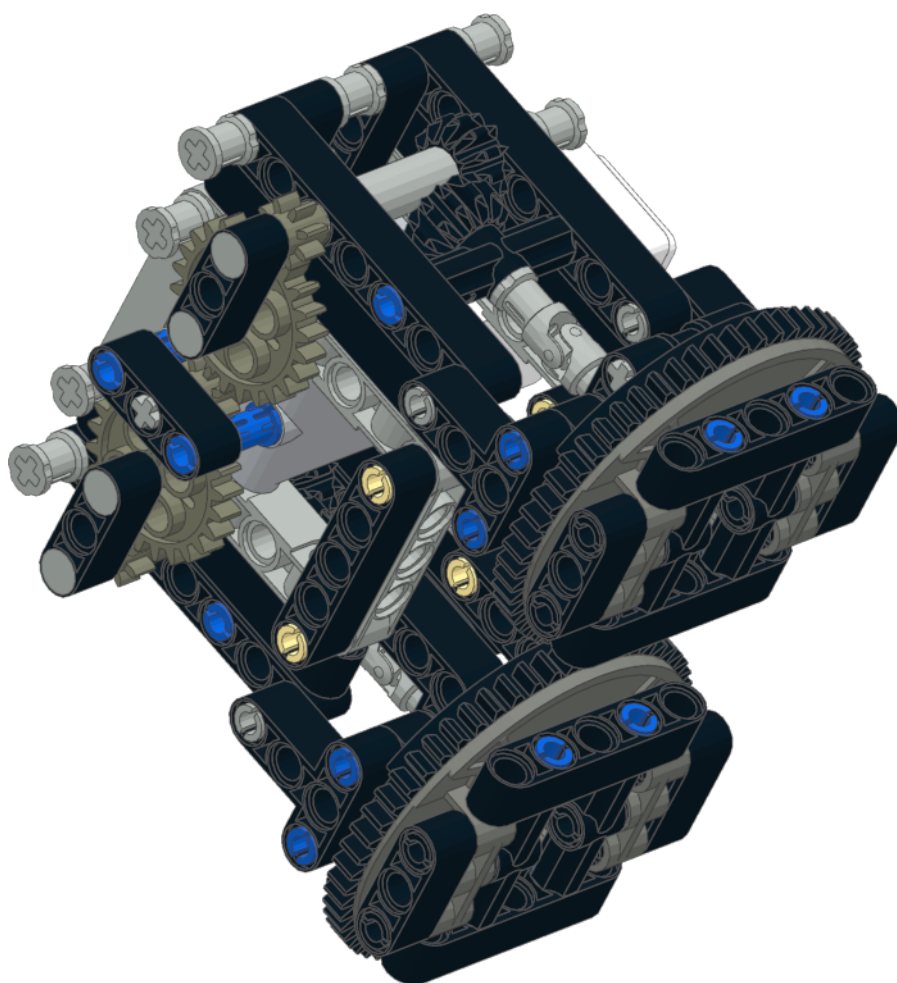
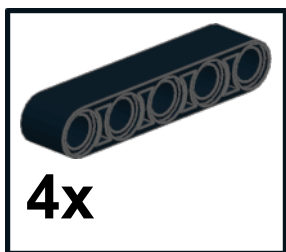
30



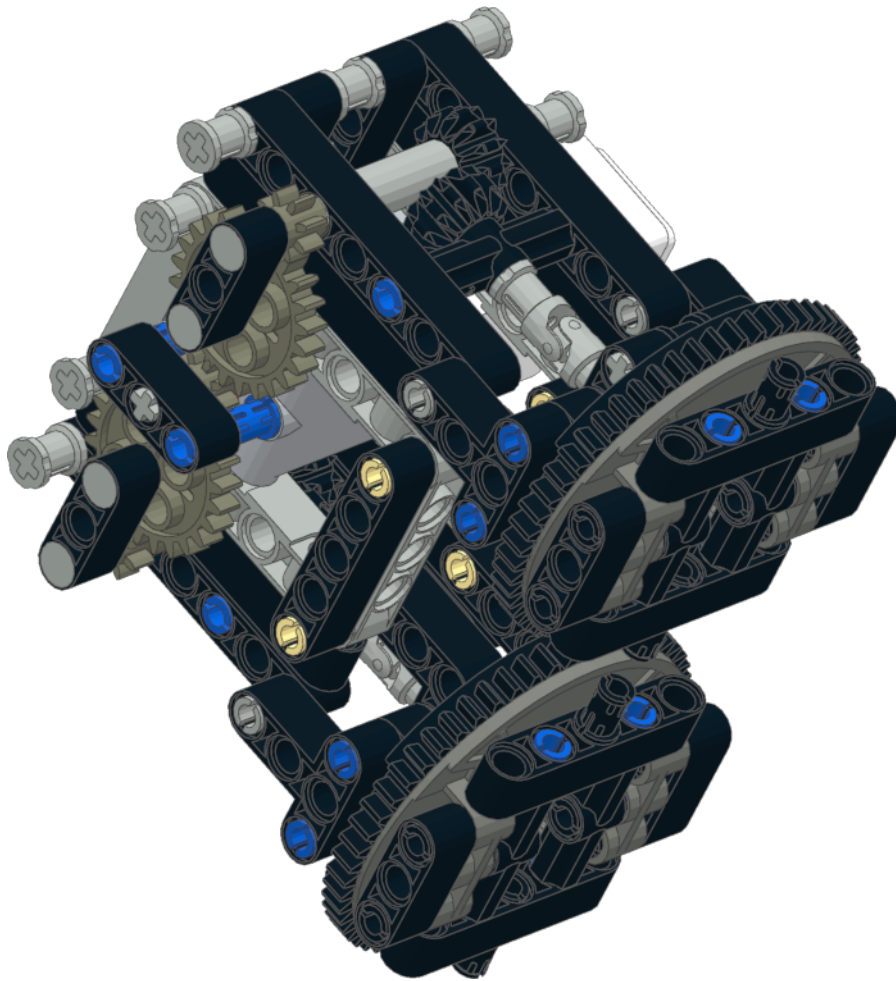
31



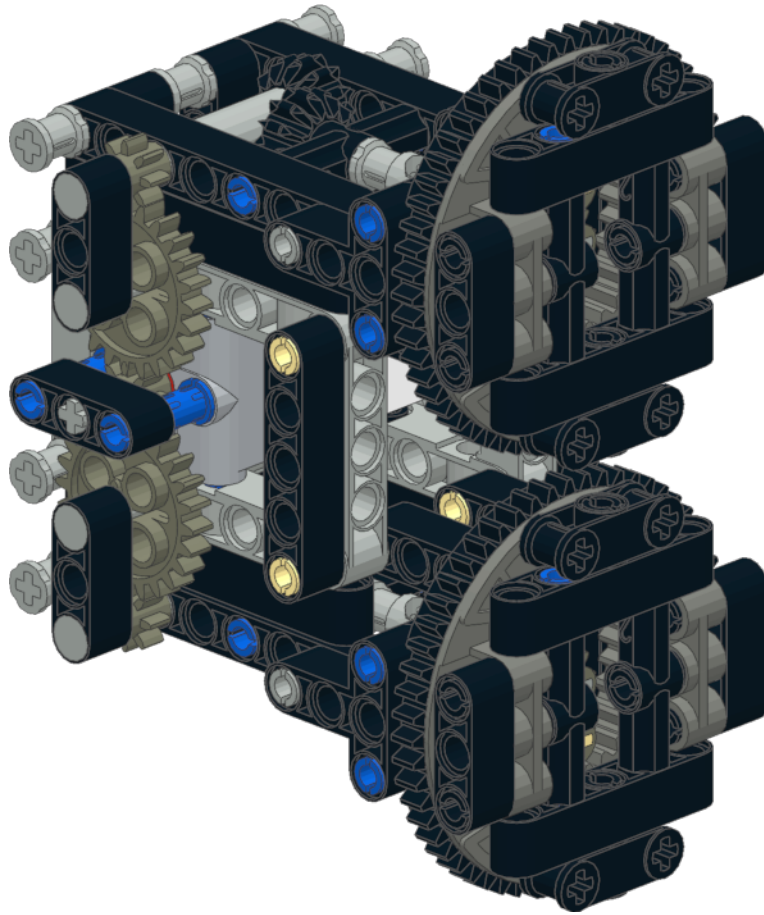
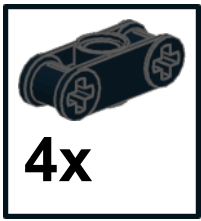
32



33



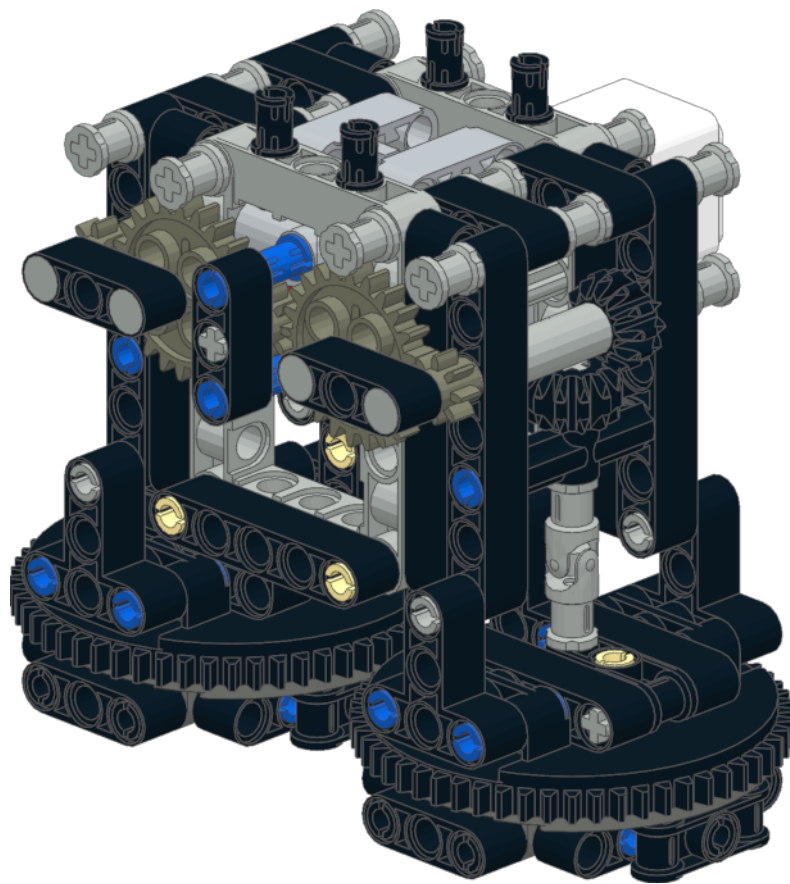
34



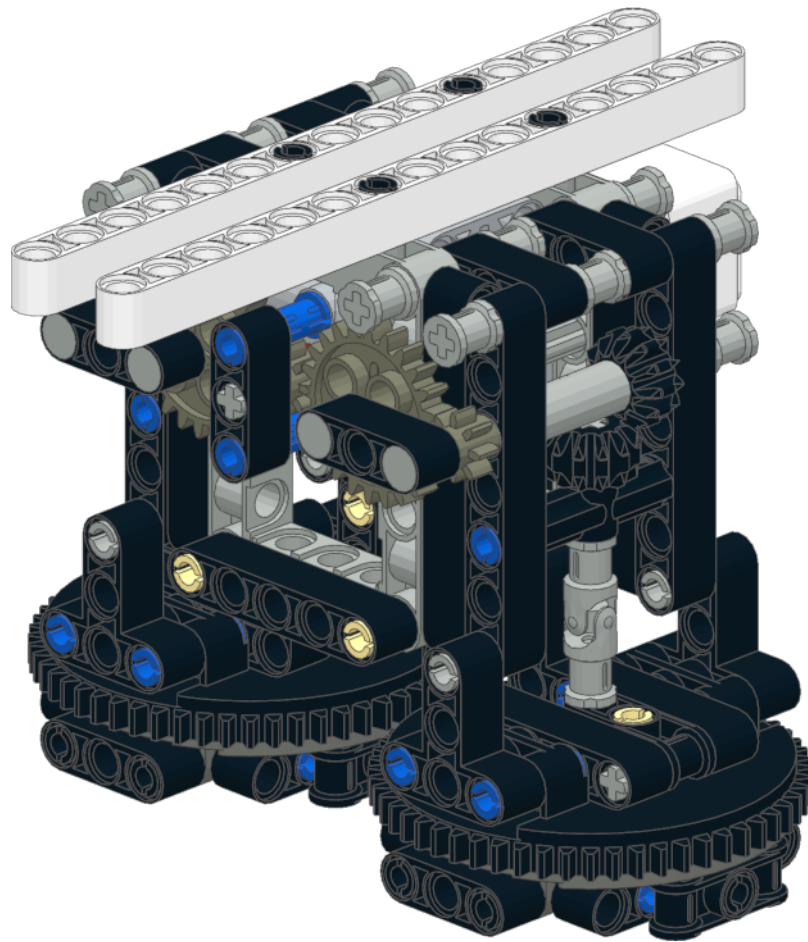
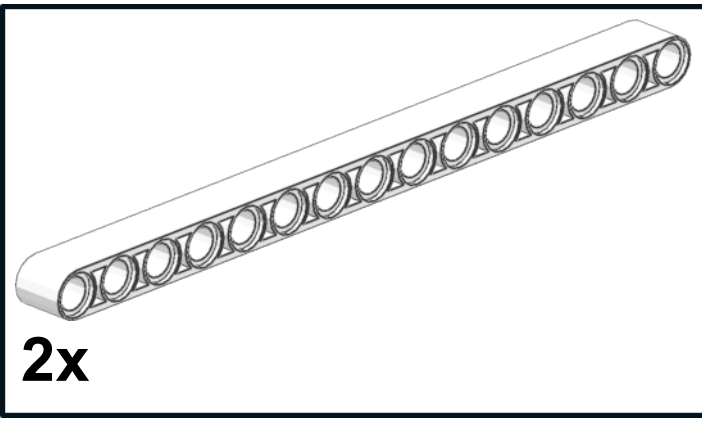
35



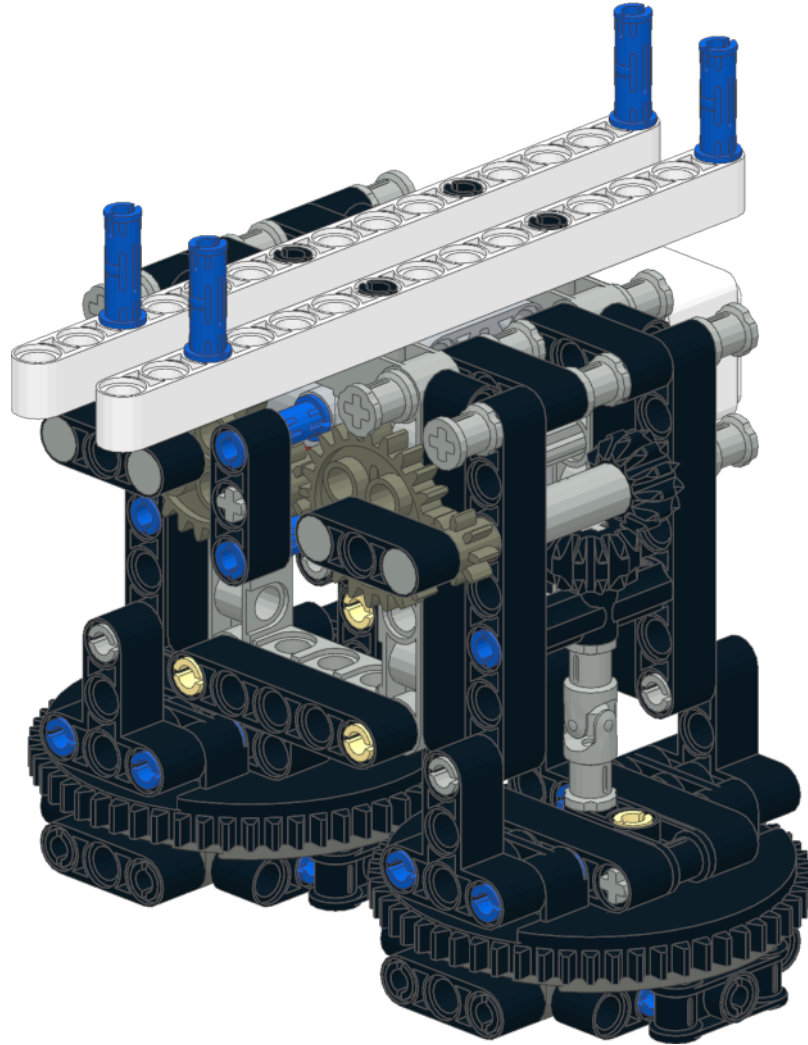
4x



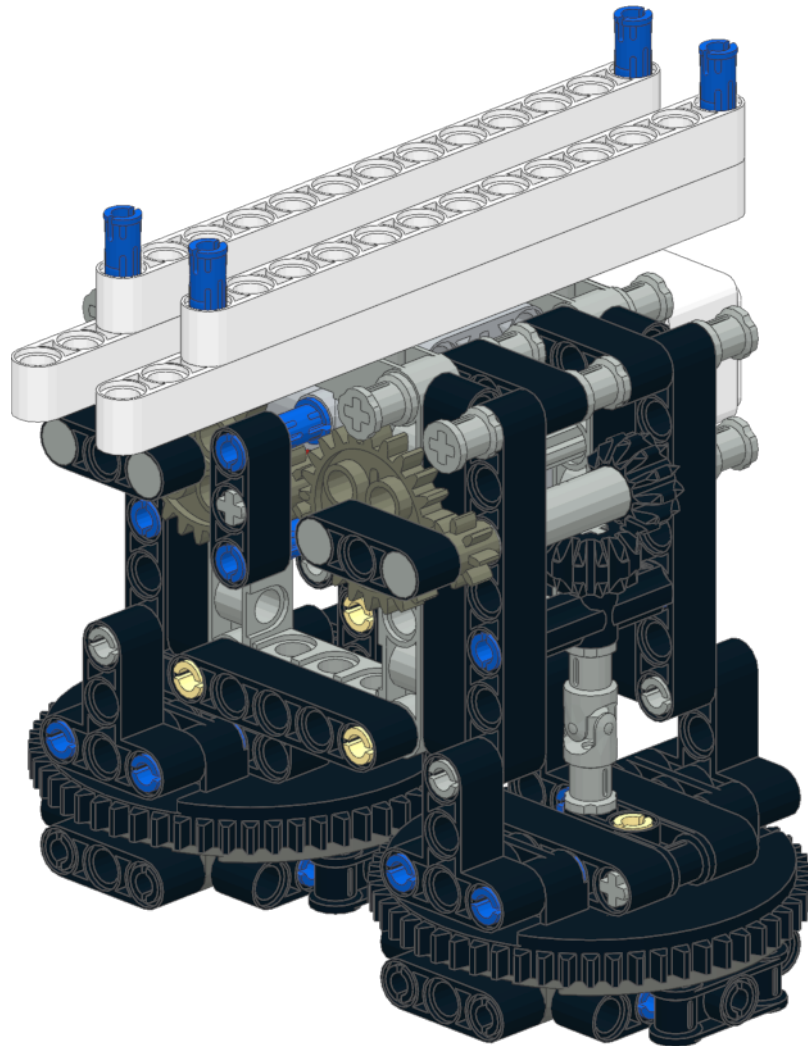
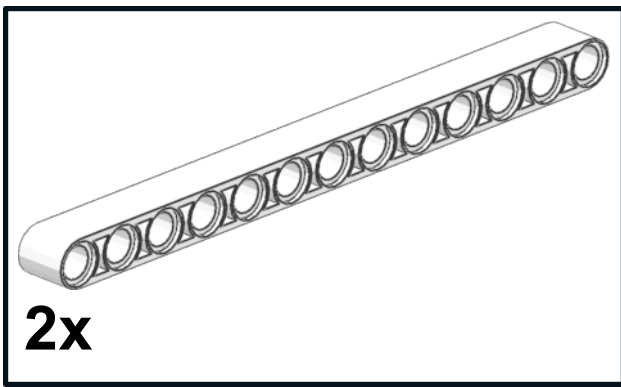
36



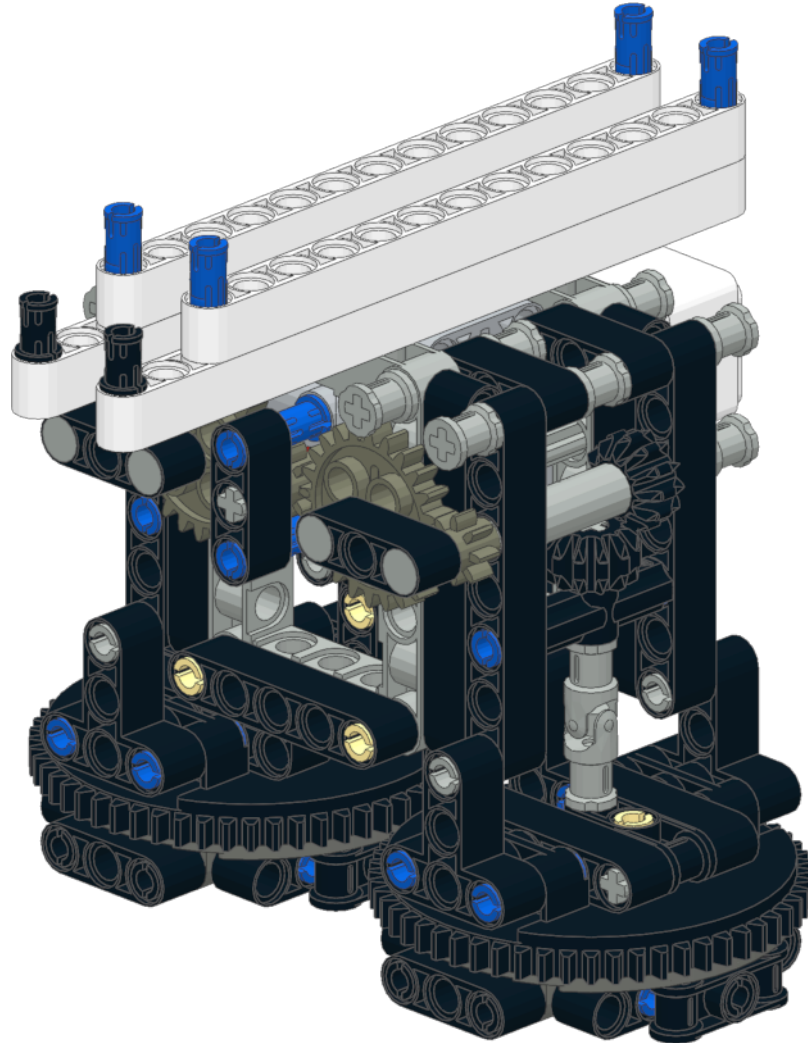
37



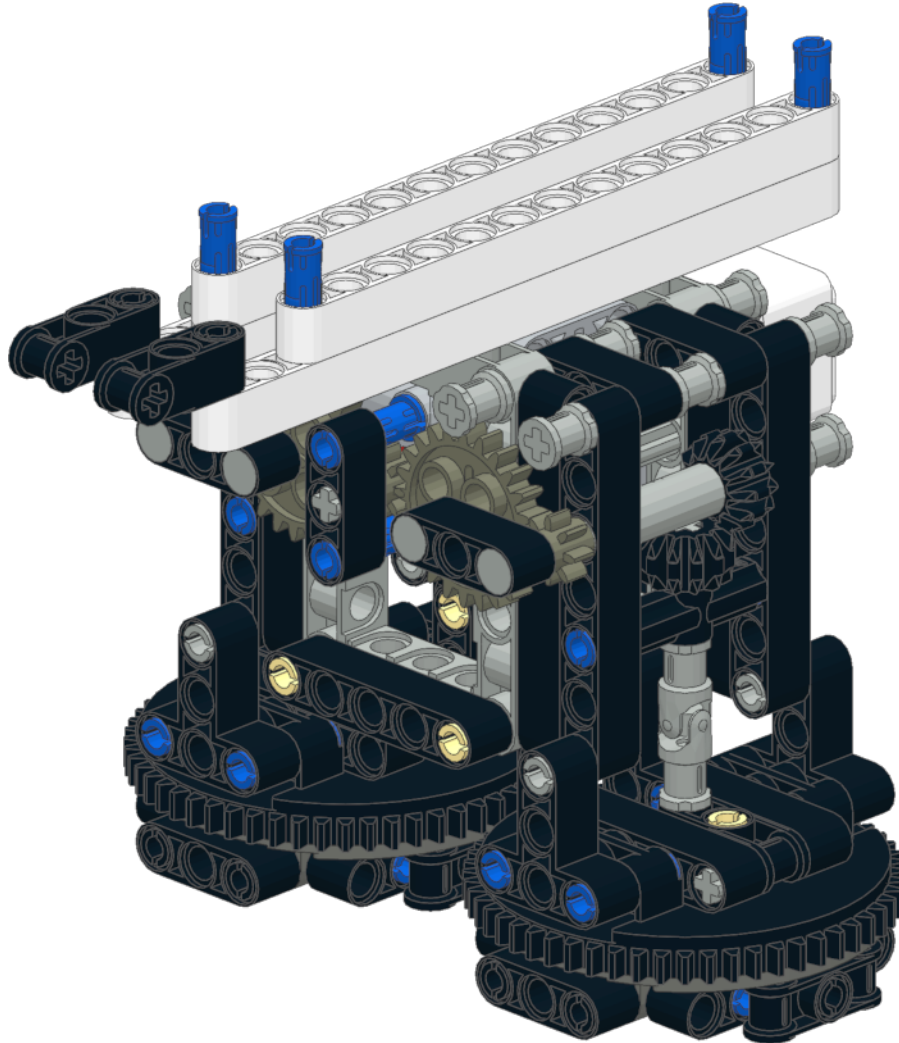
38



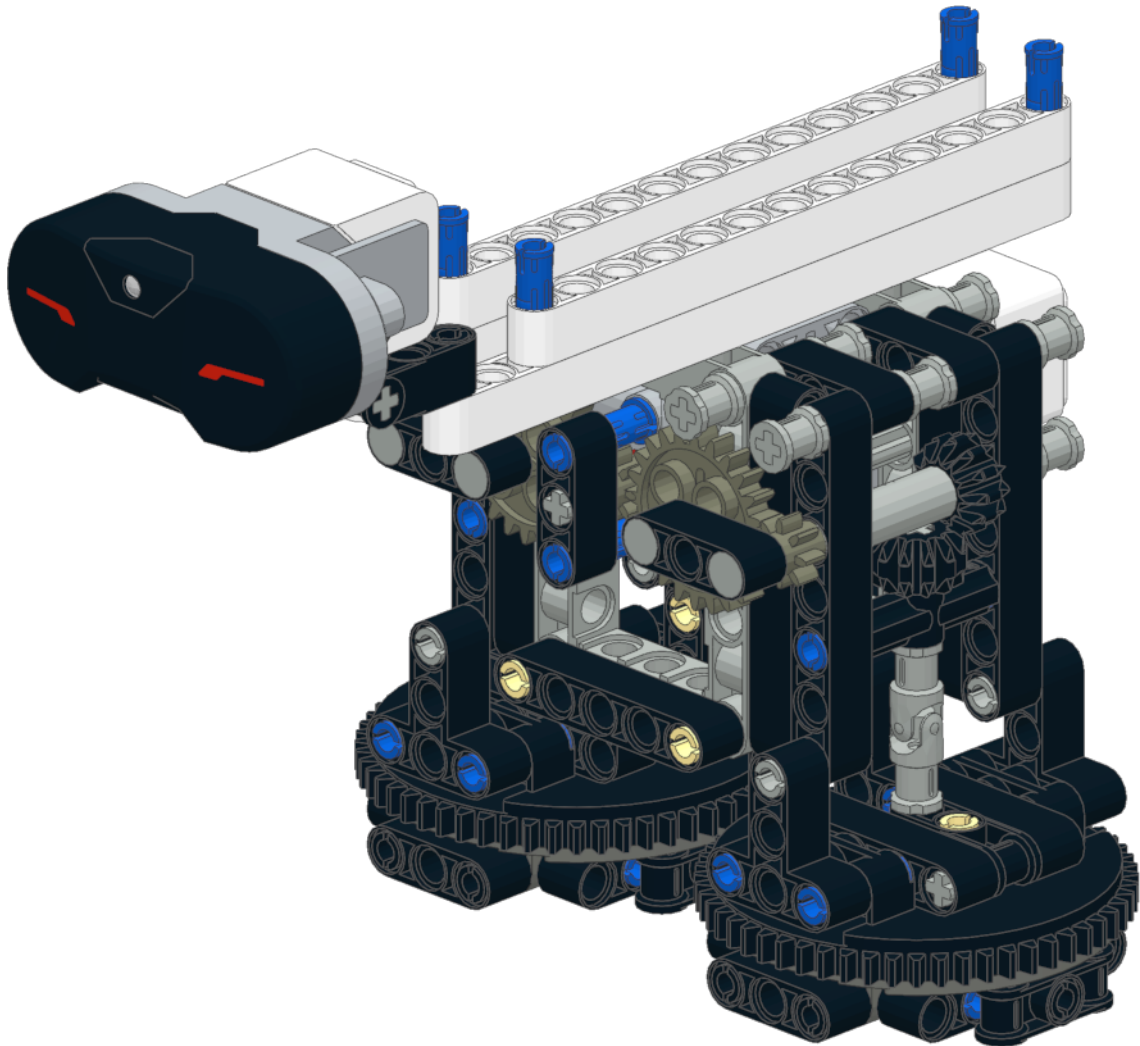
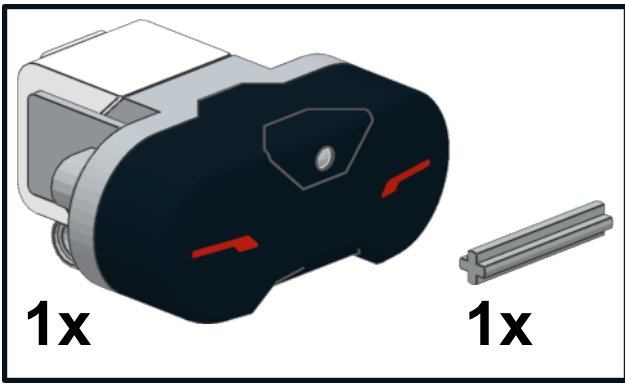
39



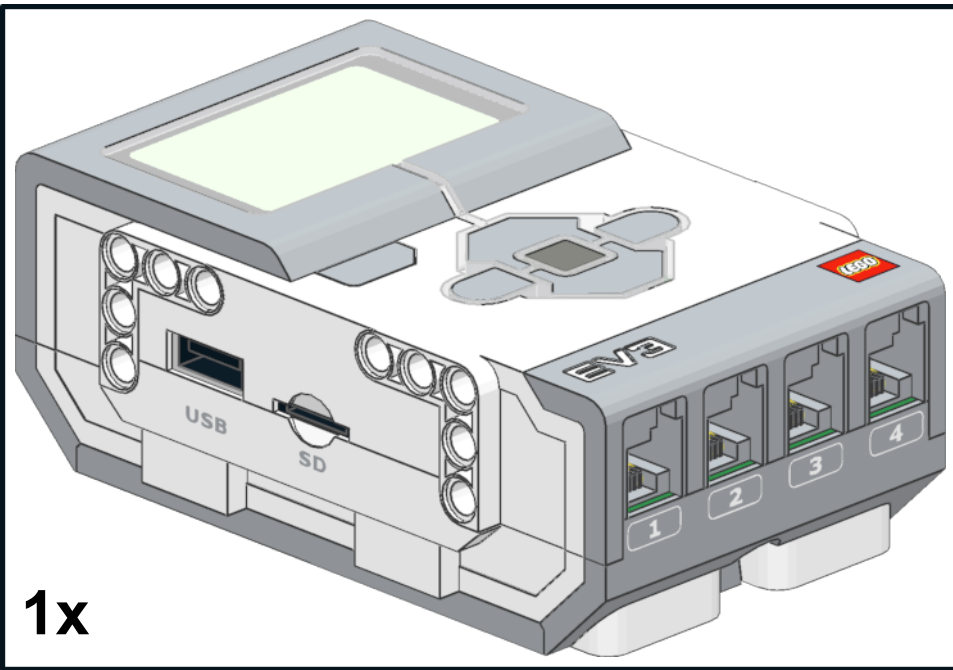
40



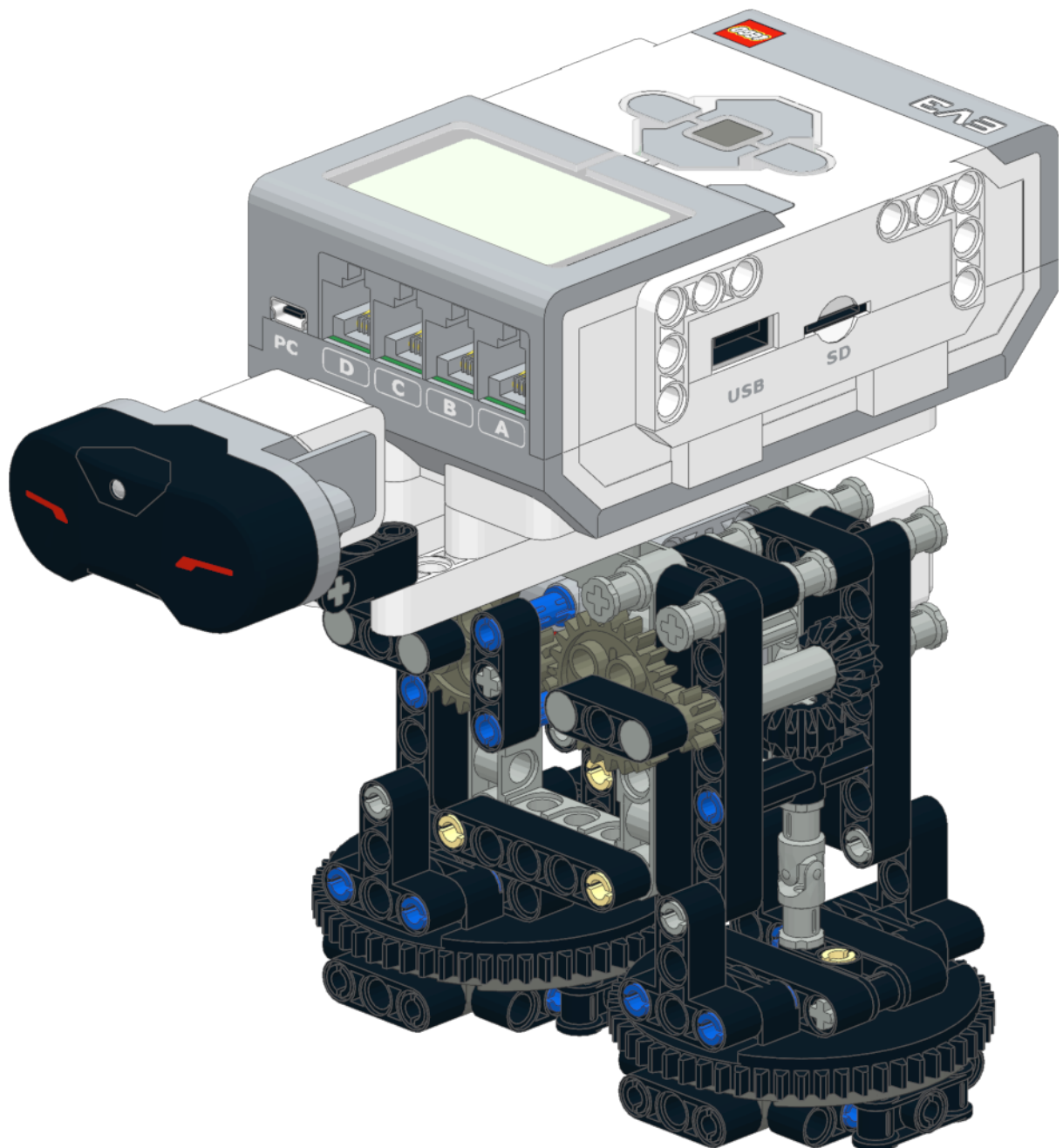
41



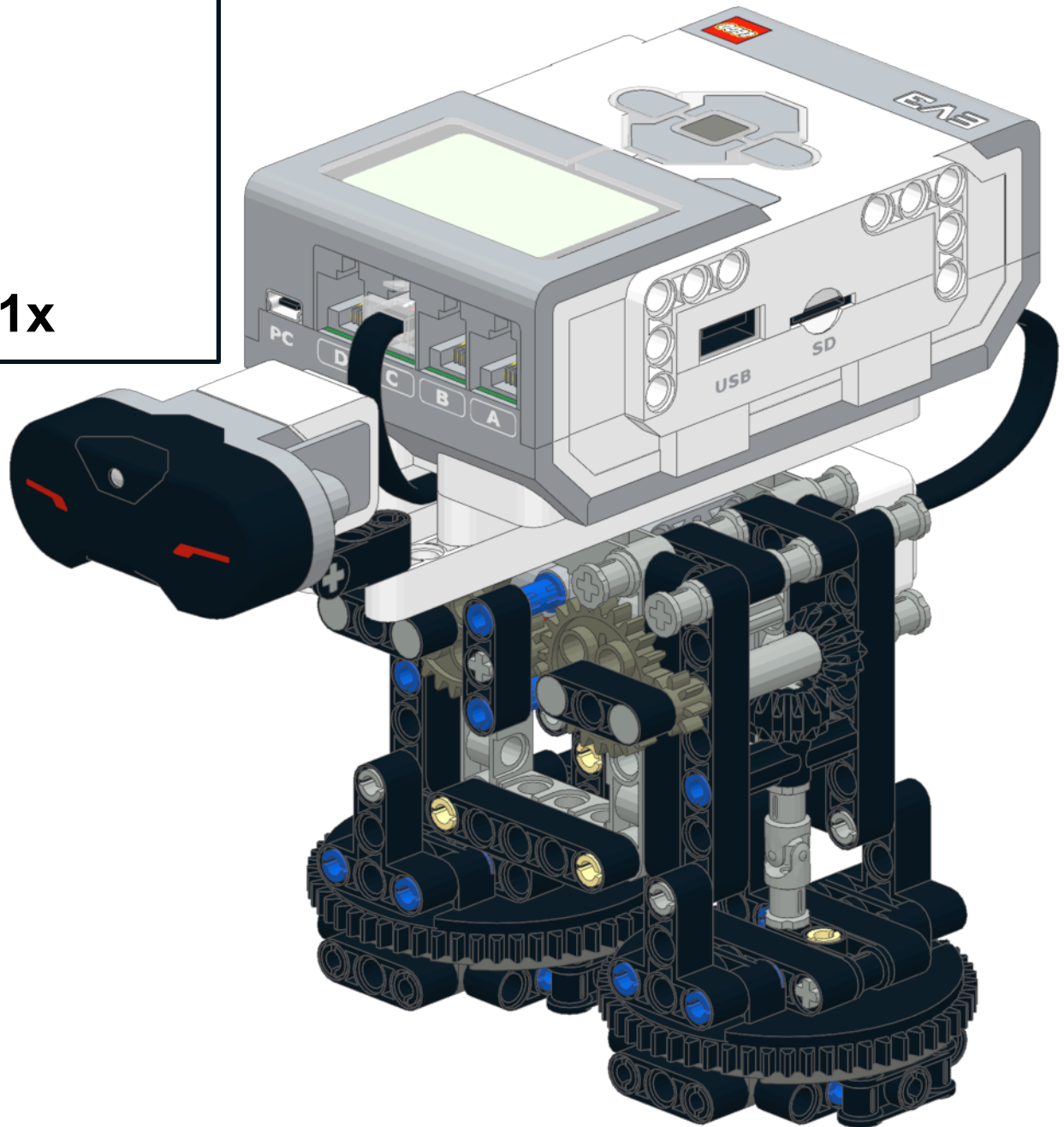
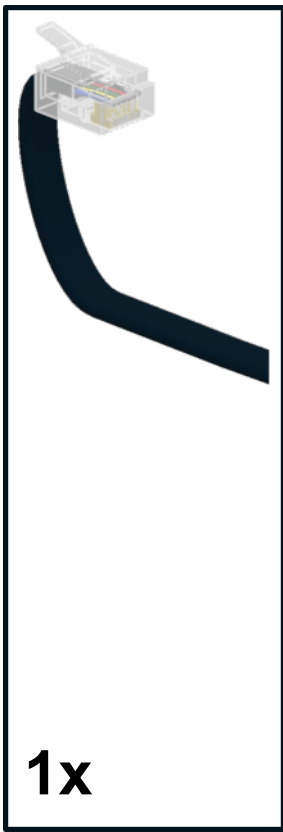
42



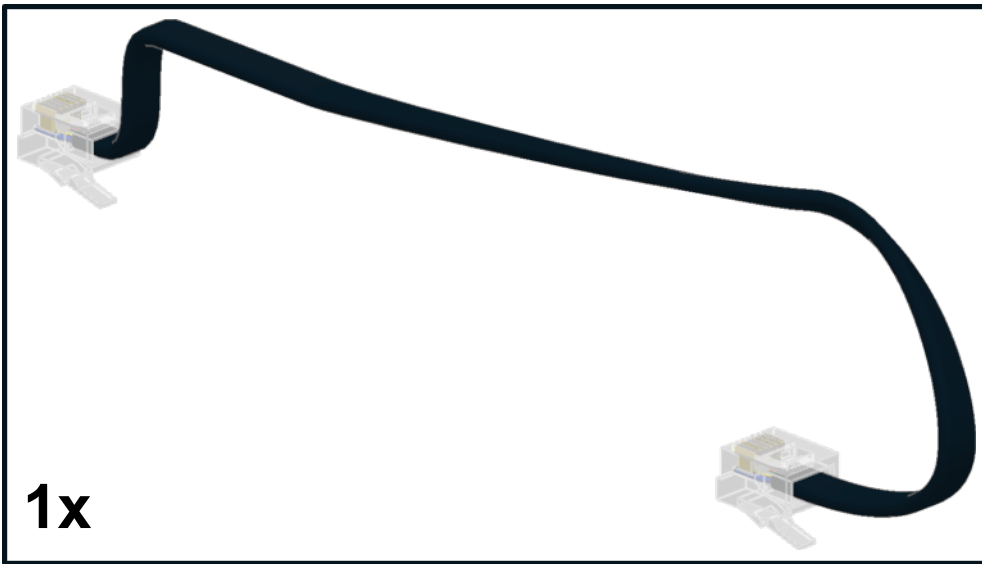
1x

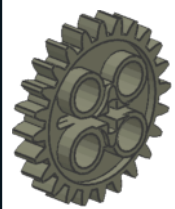


43

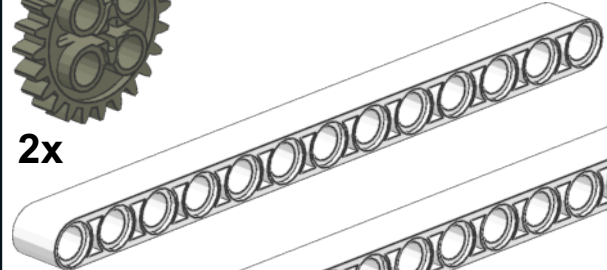


44

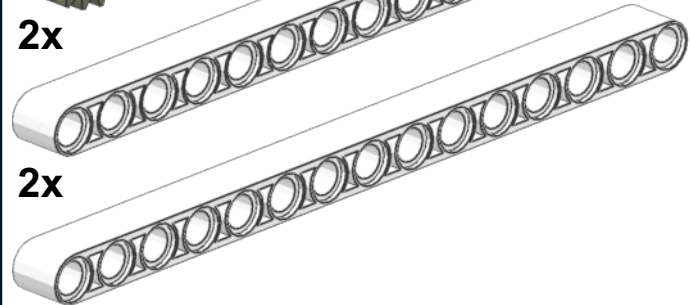




2x



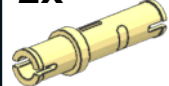
2x



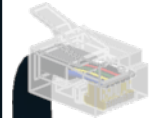
2x



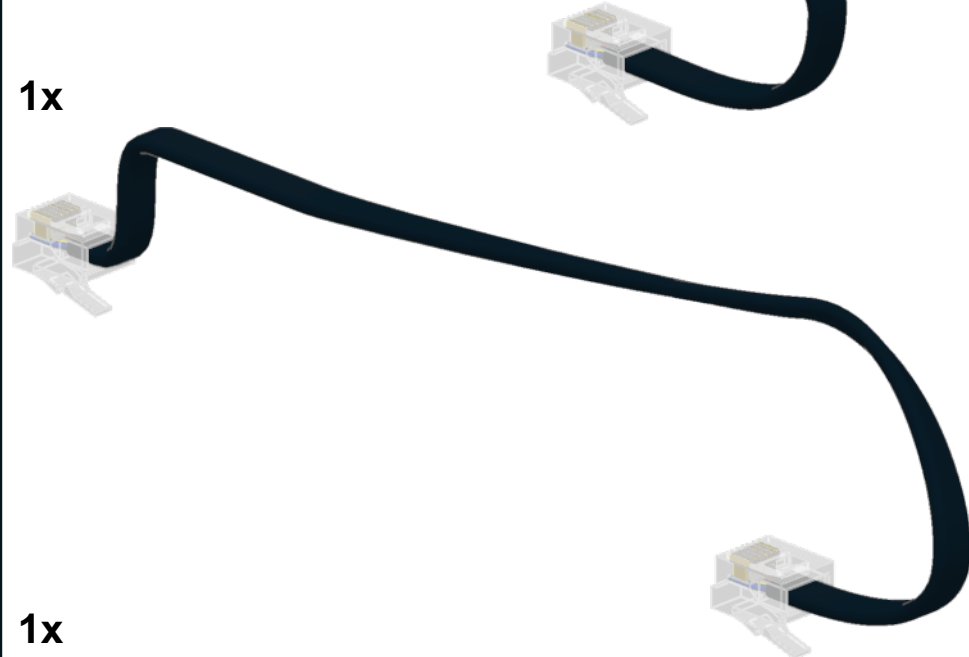
2x



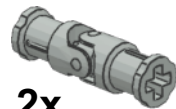
4x



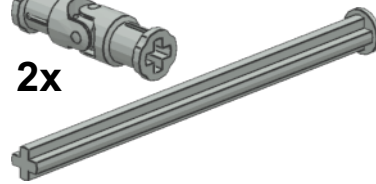
1x



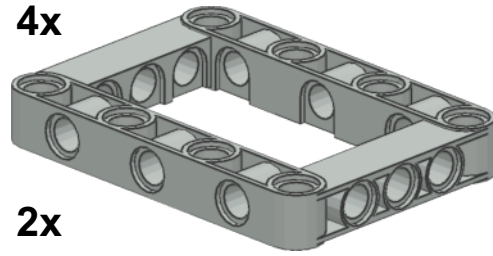
1x



2x



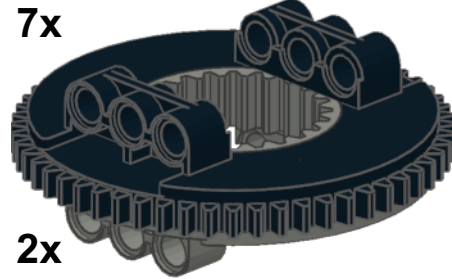
4x



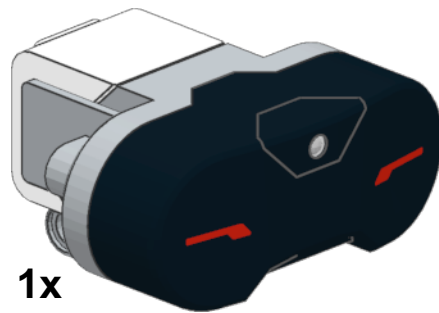
2x



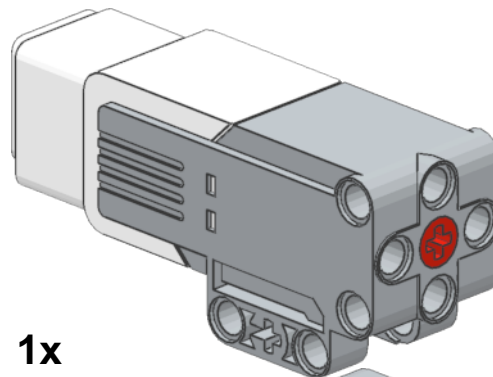
7x



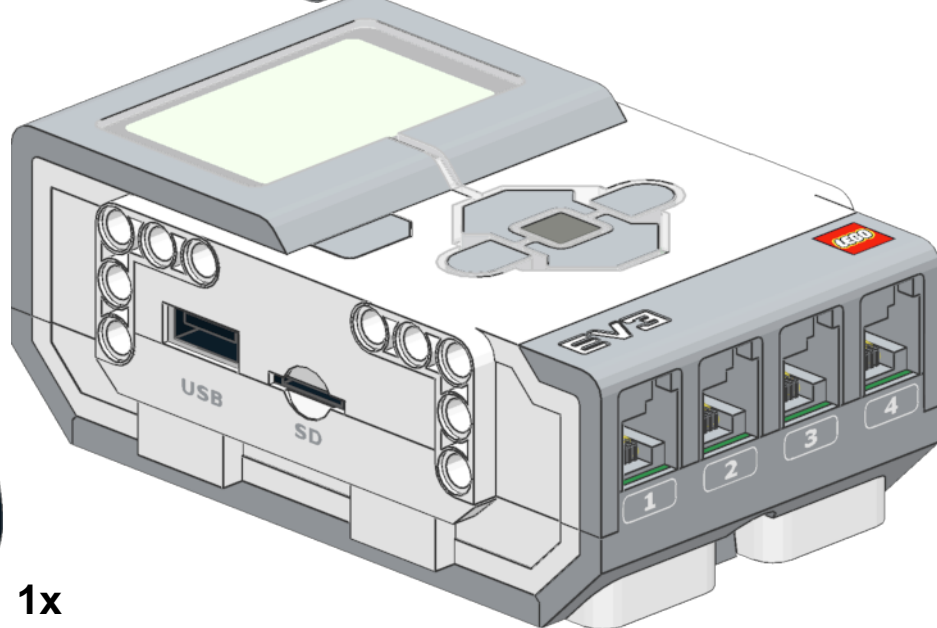
2x



1x



1x



1x



4x



6x



4x



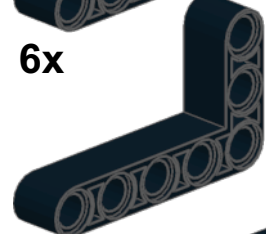
11x



4x



6x



4x



8x



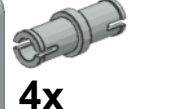
12x



18x



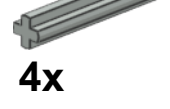
16x



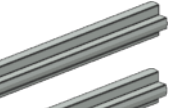
4x



2x



4x



8x



4x



26x