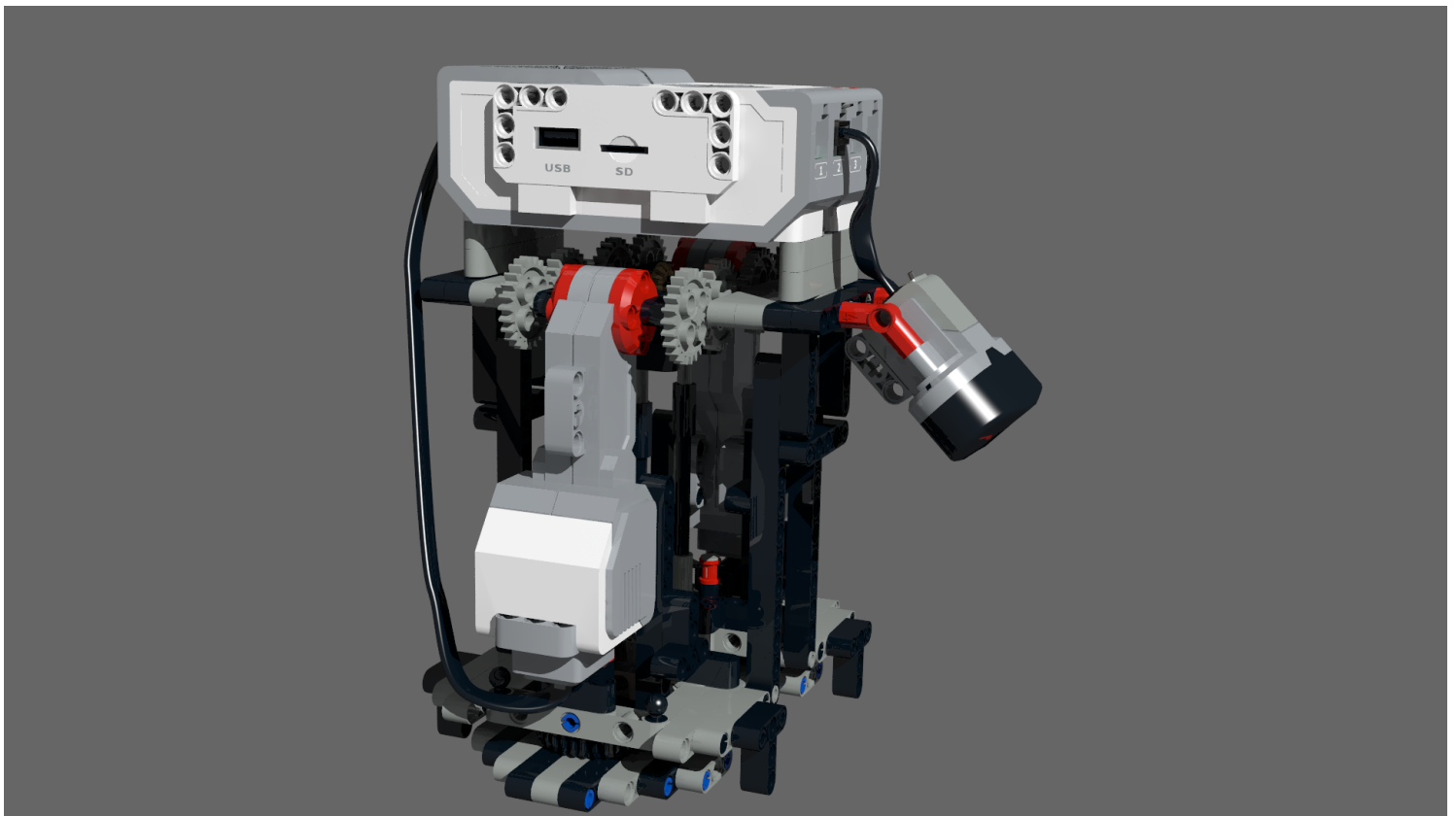


CLEV3R-CLOGS

by Stu Nicholls

Autonomous biped walker using 2 large motors

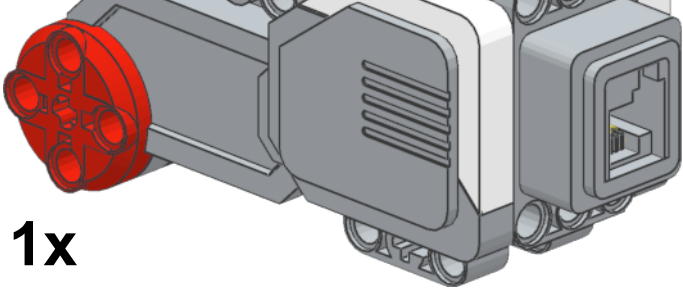
Inspired by Menno Gorter's NXT2SAURUS



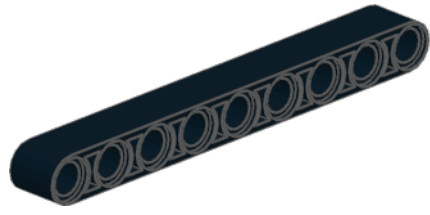
1



4x

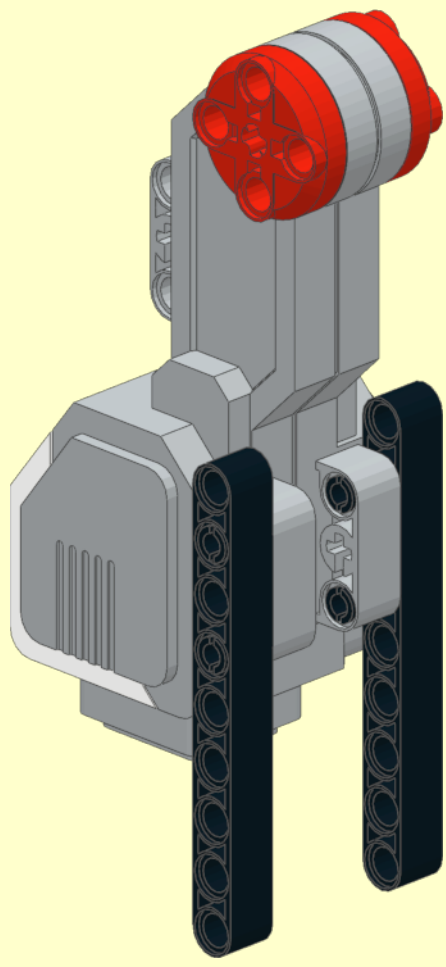


1x

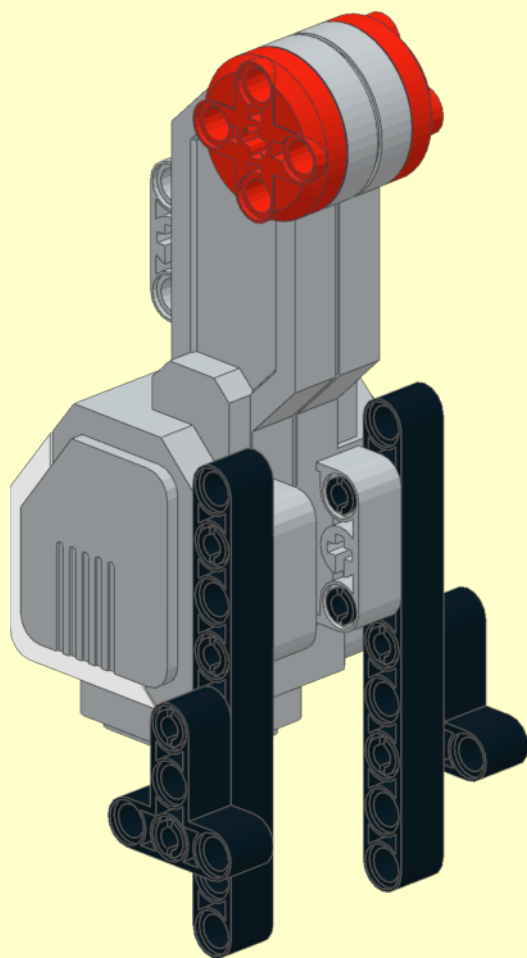
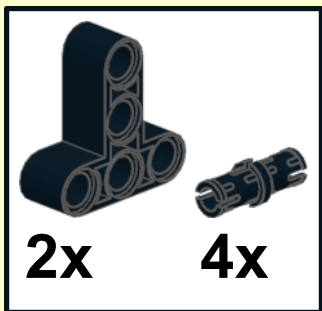


2x

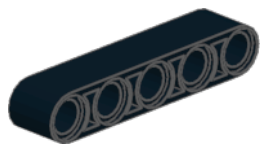
LEGS 2x



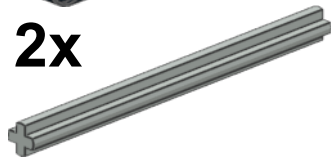
2



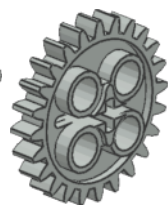
3



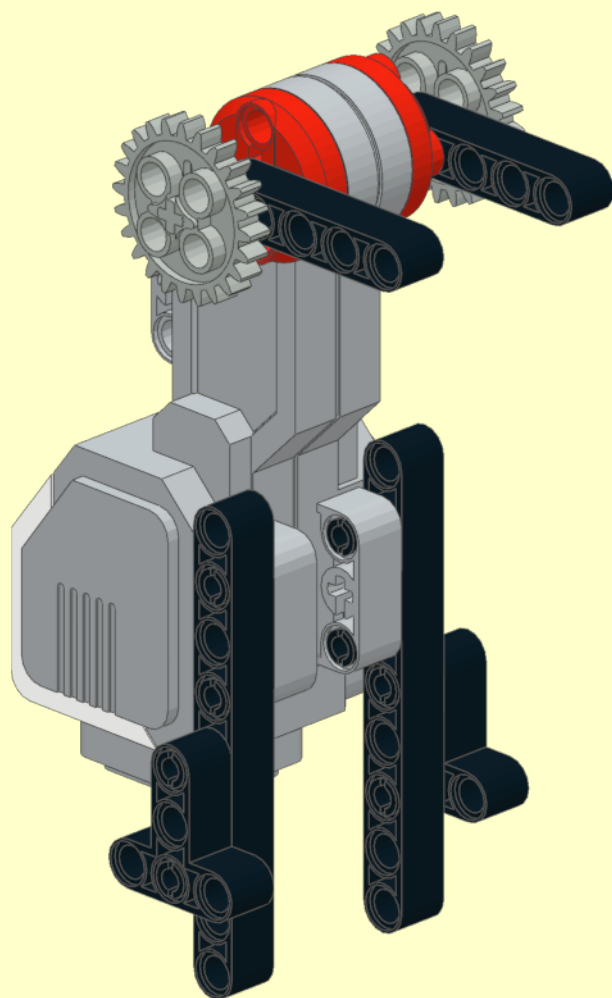
2x



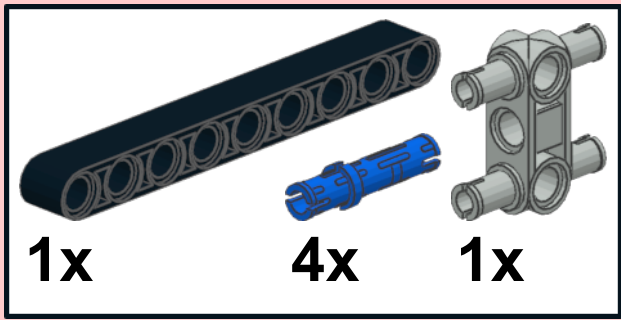
1x



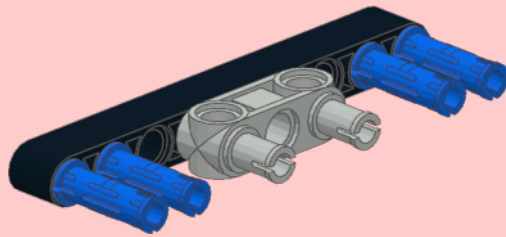
2x

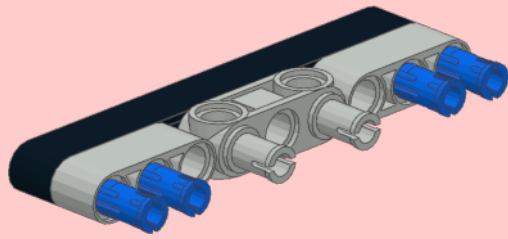
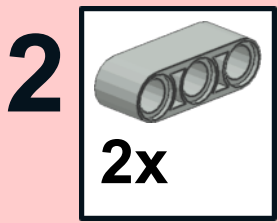


1

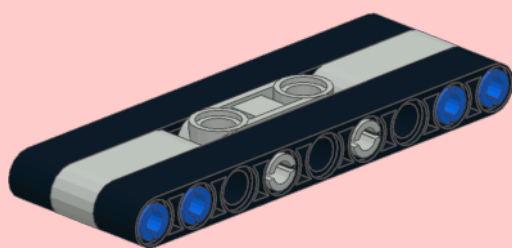
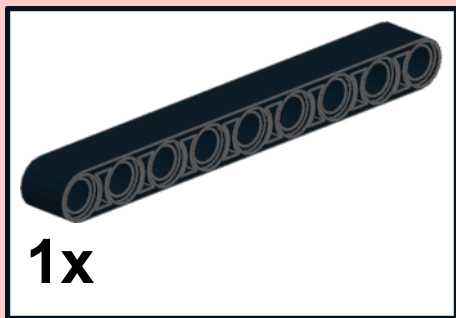


LOWER FOOT 2x

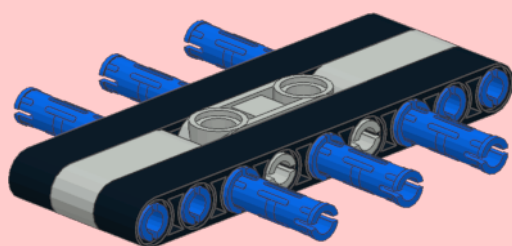




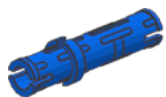
3



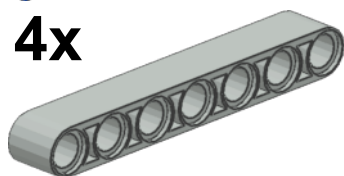
4



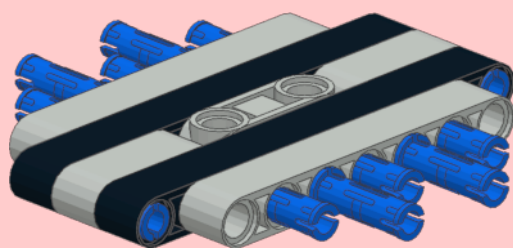
5



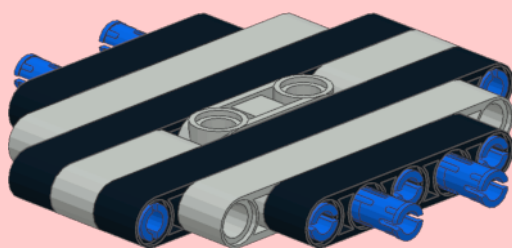
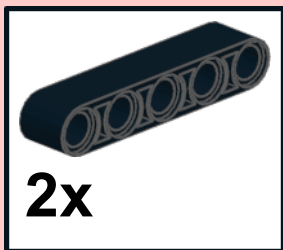
4x



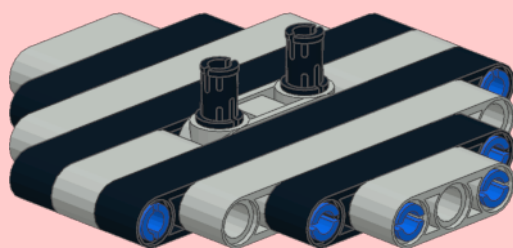
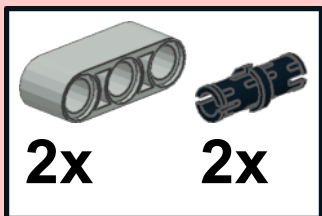
2x



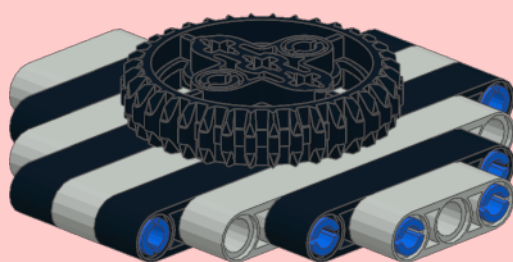
6



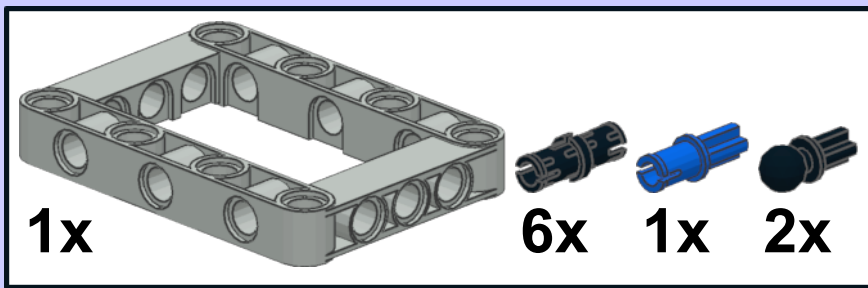
7



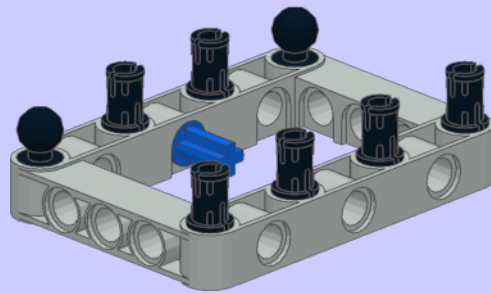
8



1



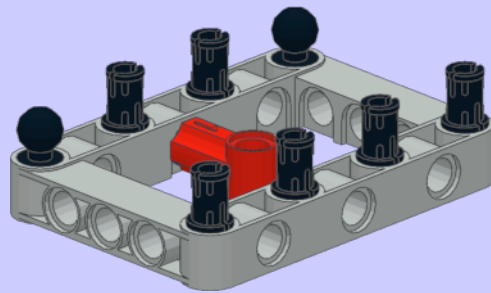
UPPER FOOT 2x

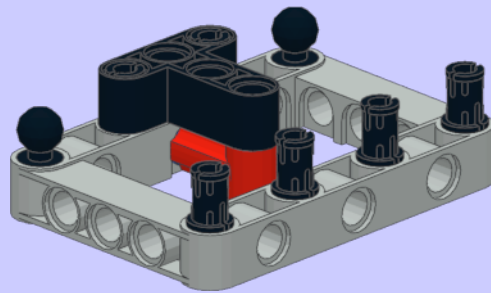
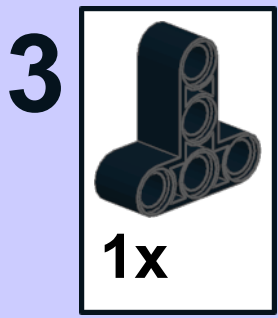


2

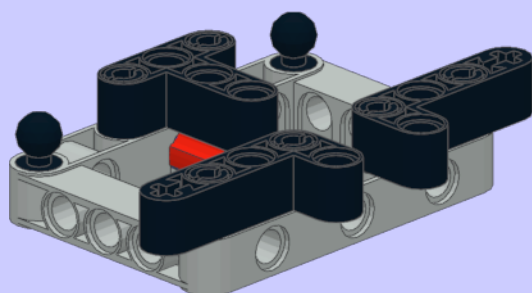



1x

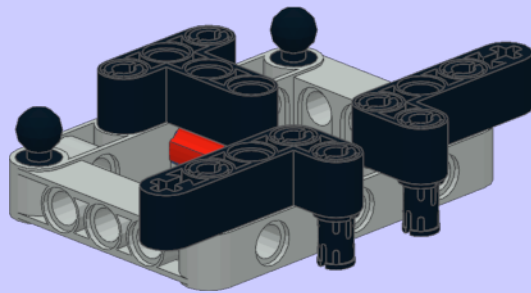


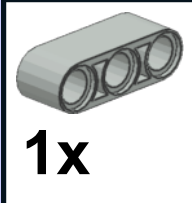


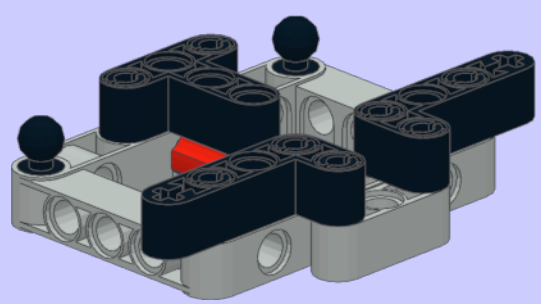
4



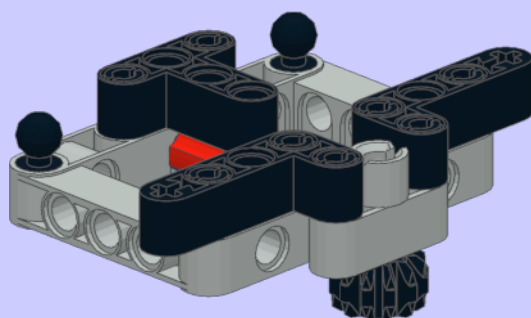
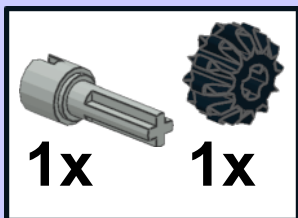
5 
2x



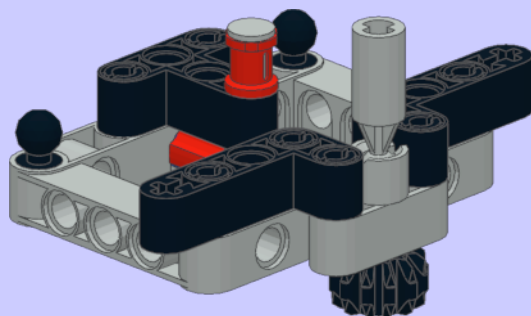
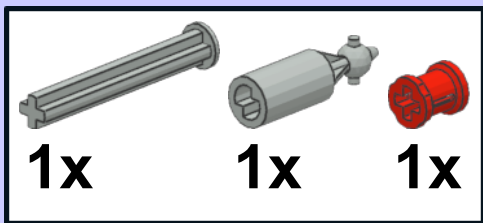
6

1x



7

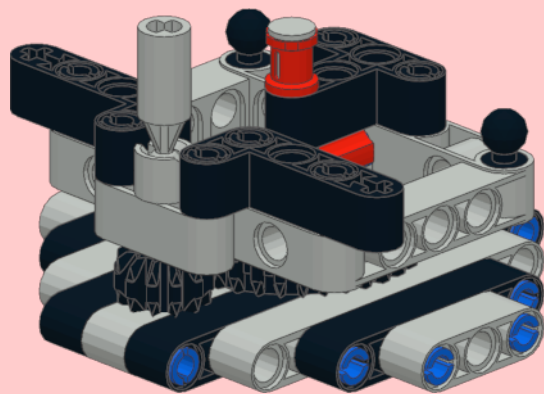


8



9

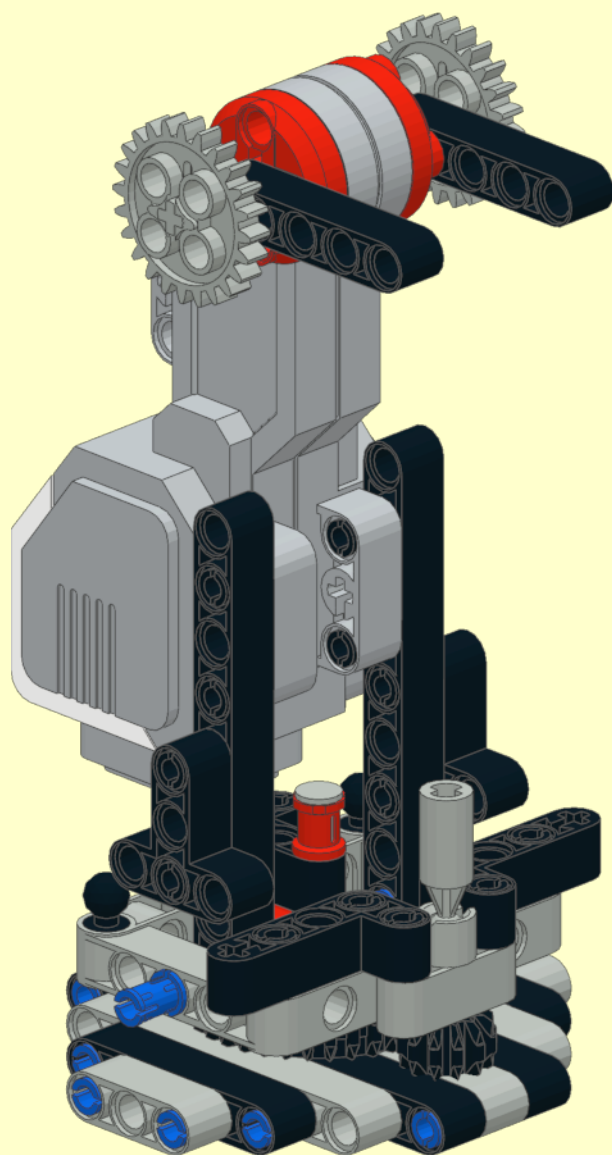
FOOT ASSEMBLY 2x




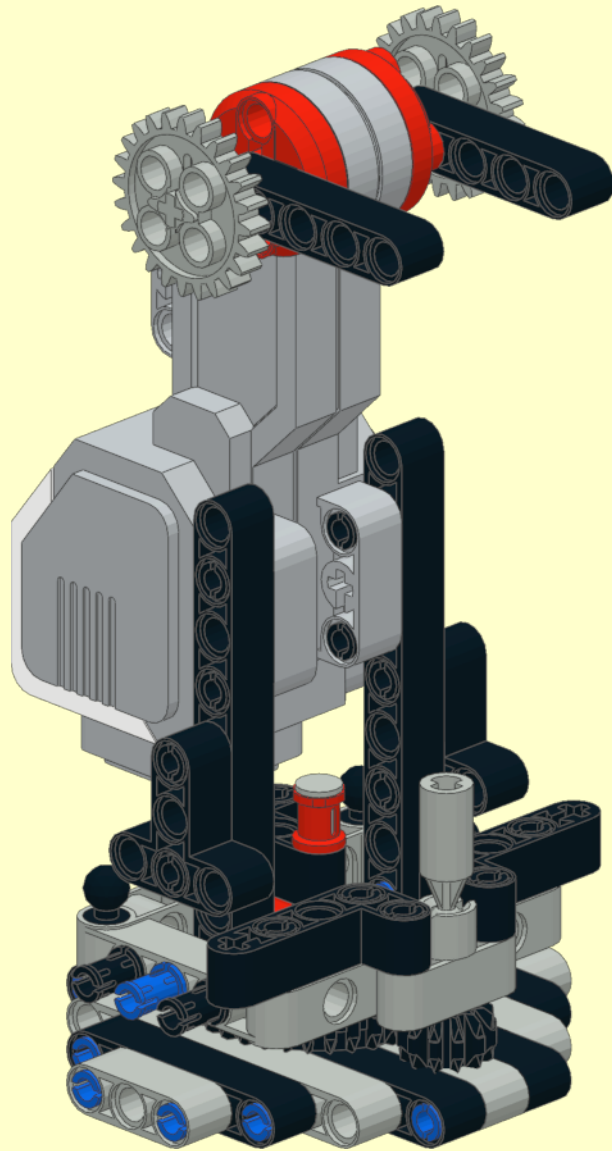
4



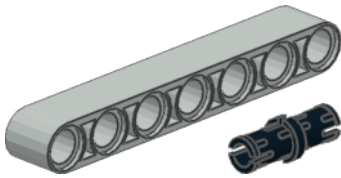
LEG ASSEMBLY 2x



5 
4x

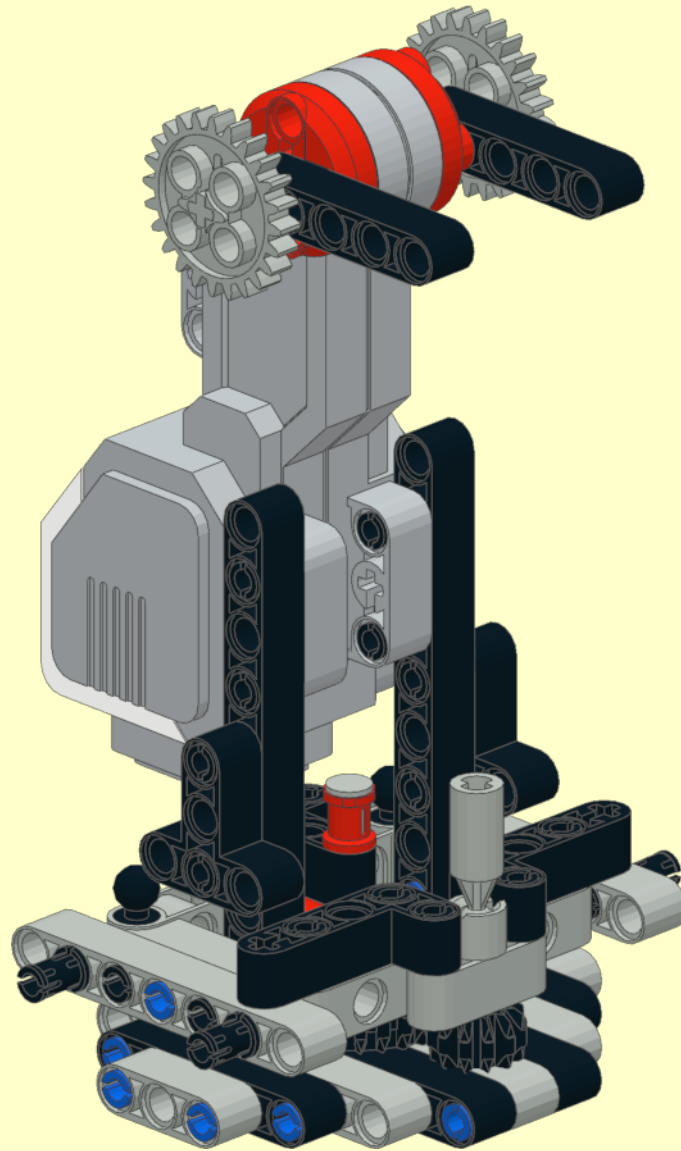


6

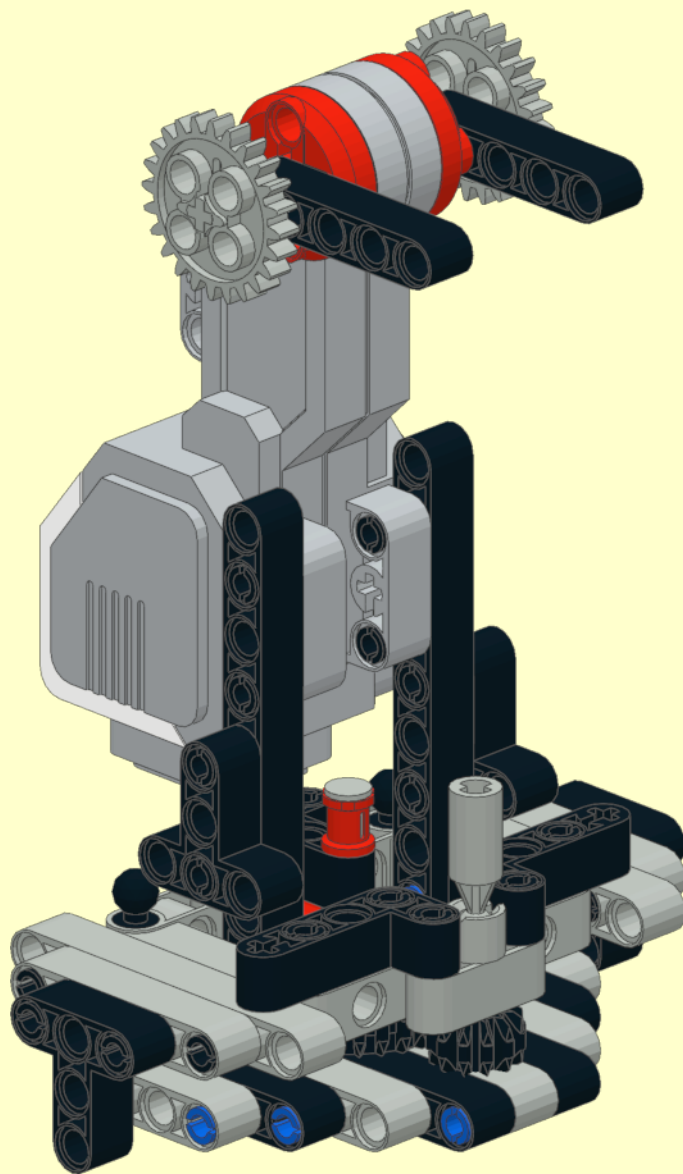
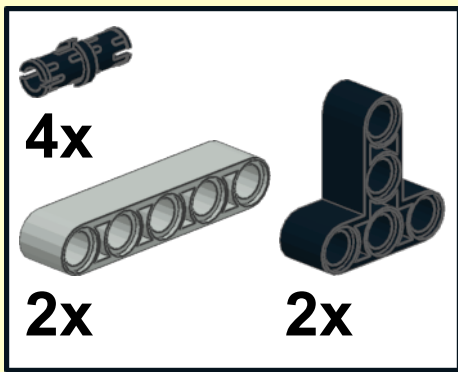


2x

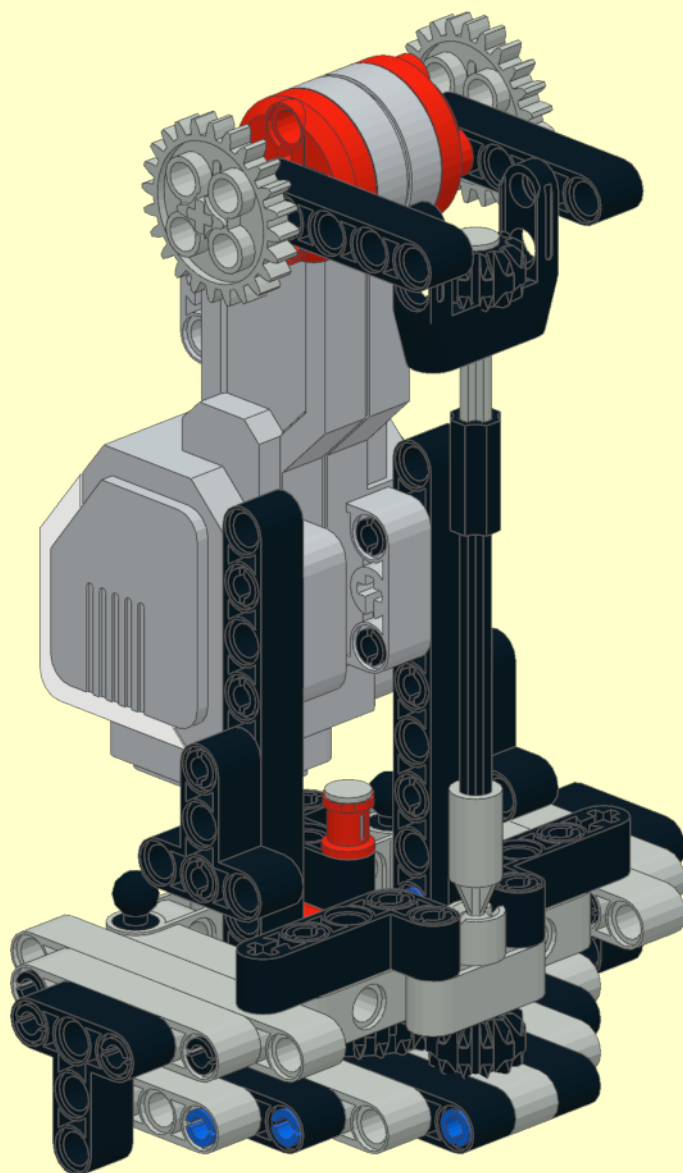
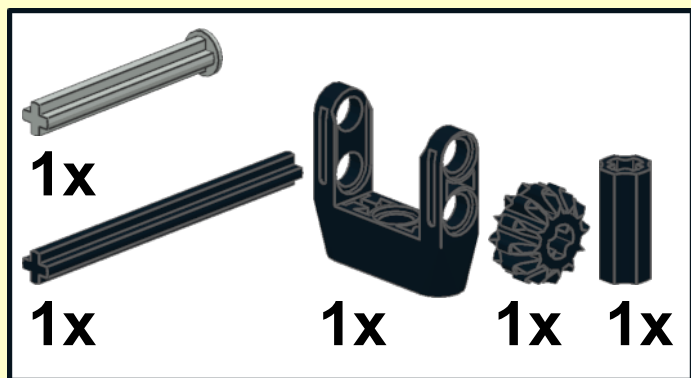
4x



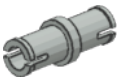
7



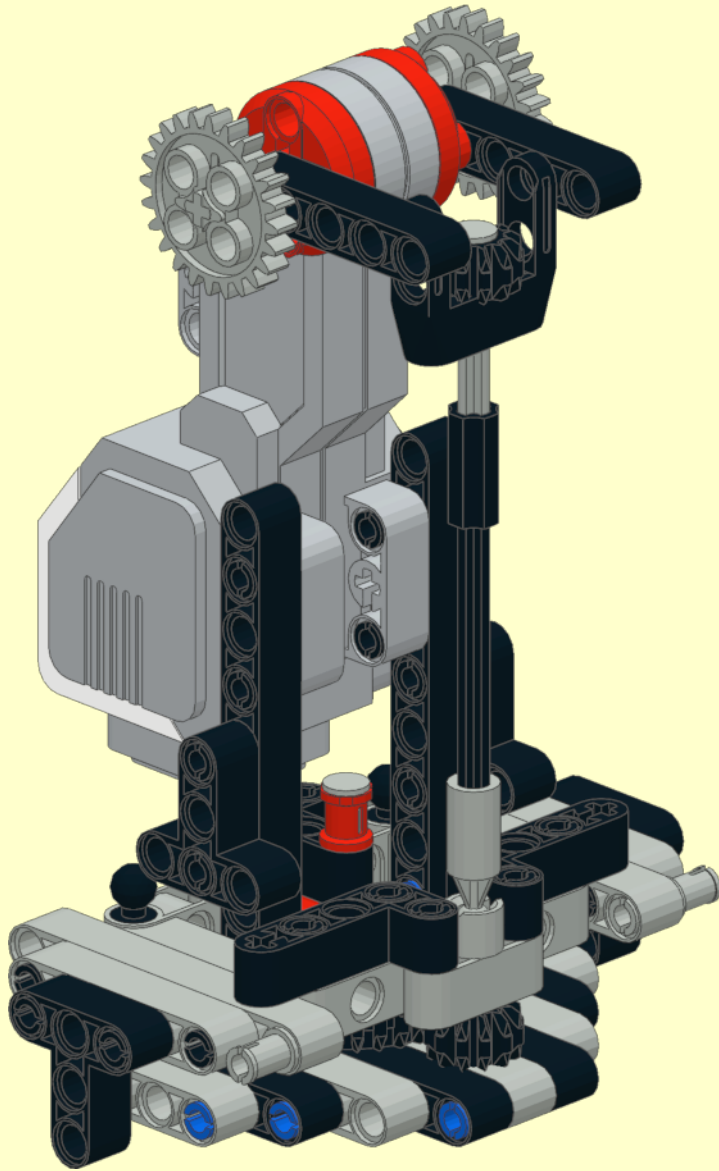
8



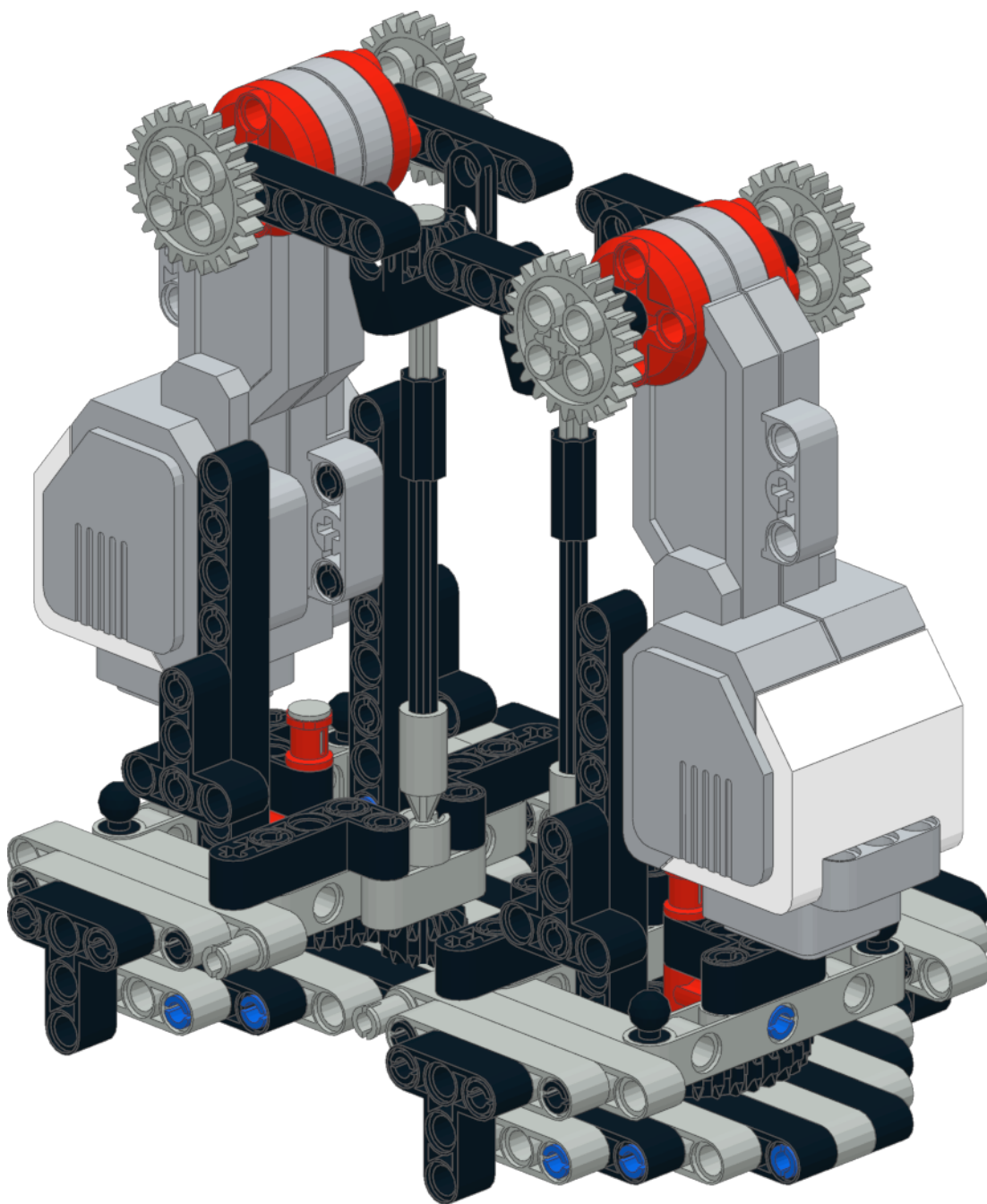
9



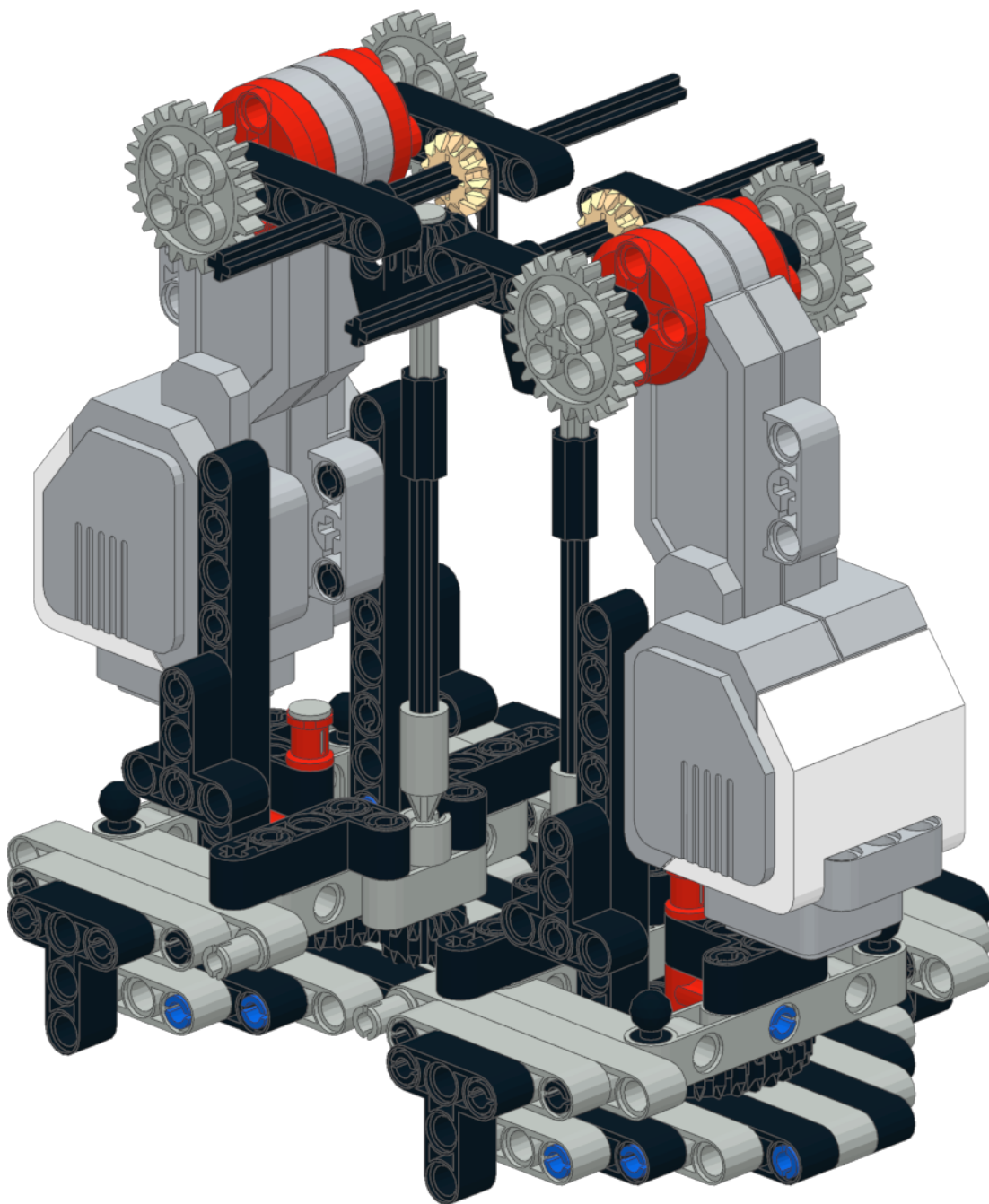
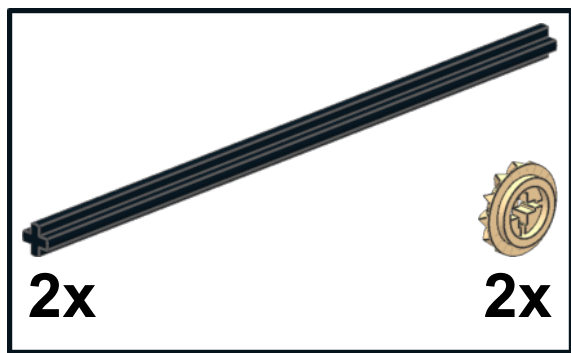
2x



x2



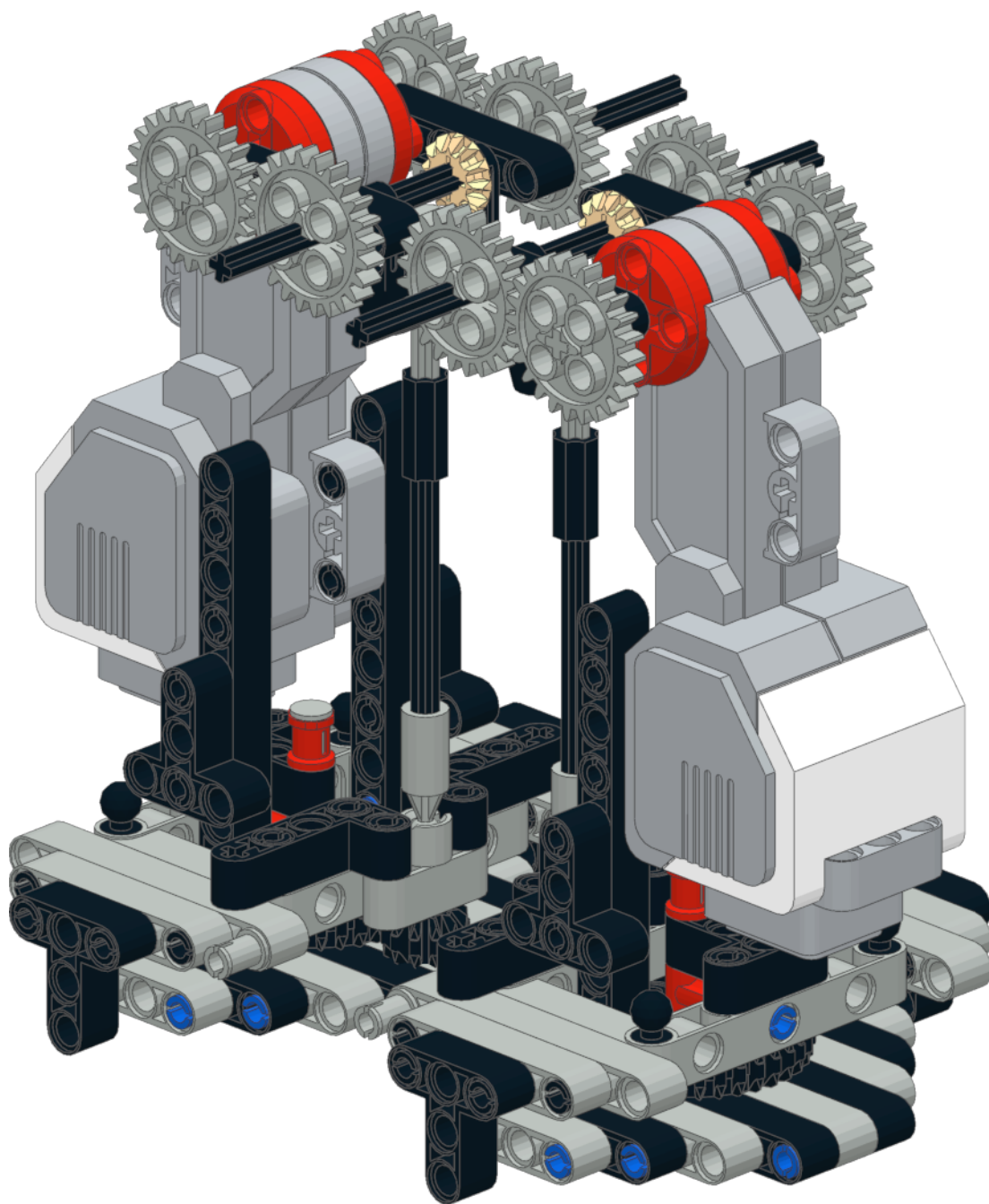
2



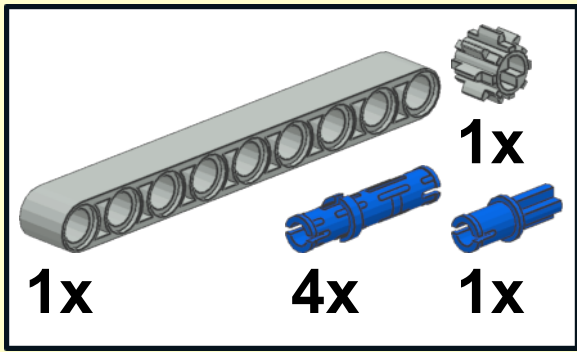
3



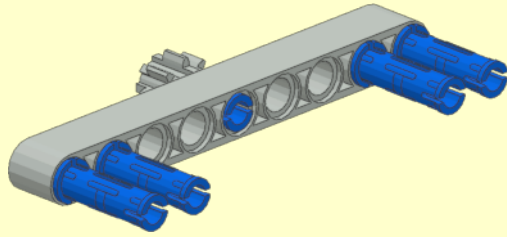
4x



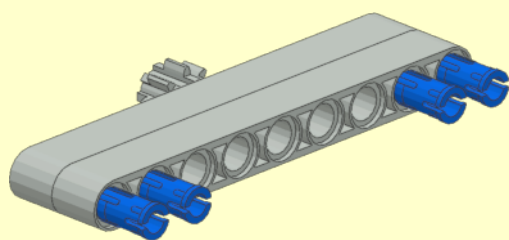
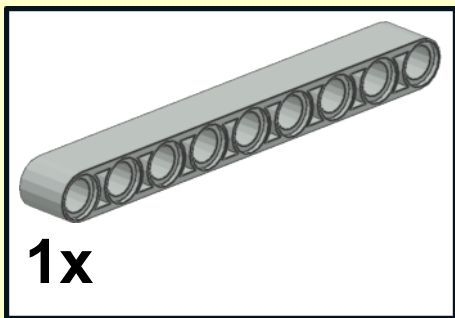
1



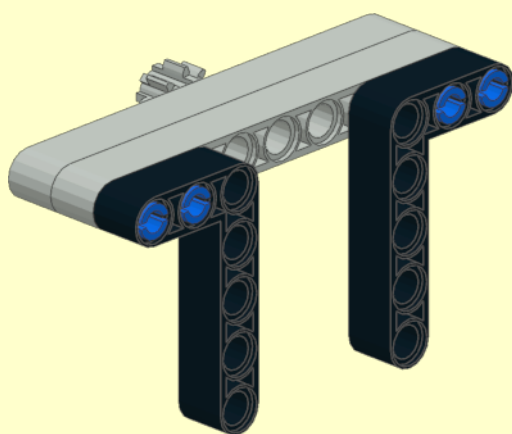
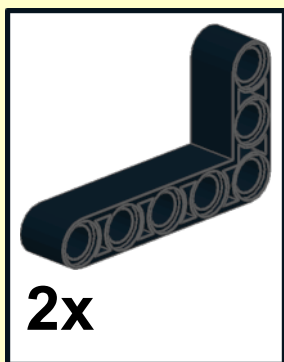
FRONT/REAR ASSEMBLIES 2x



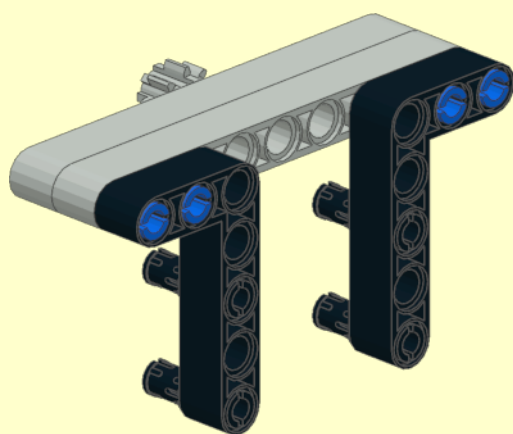
2



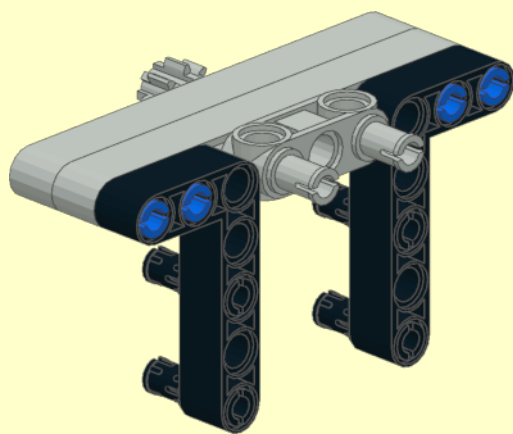
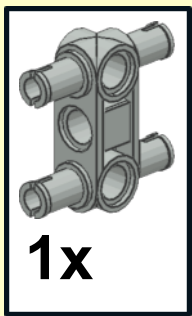
3



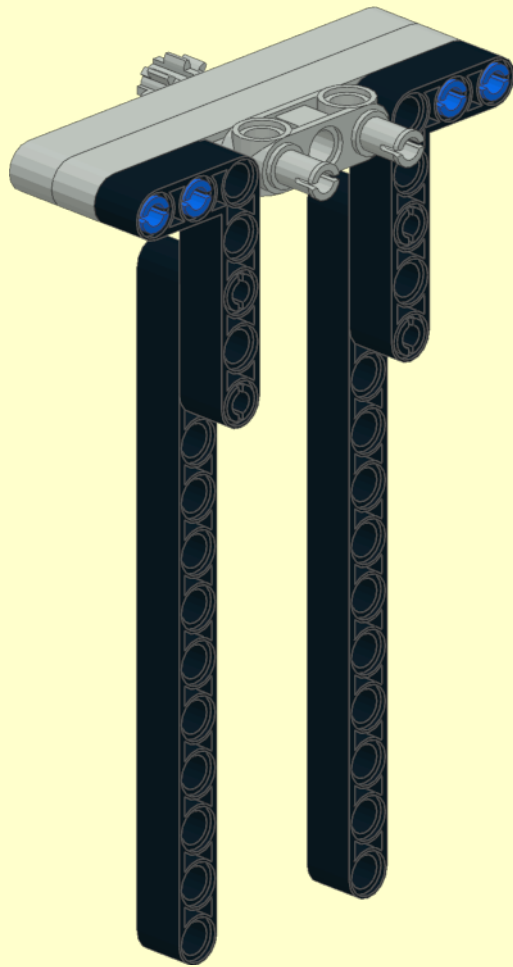
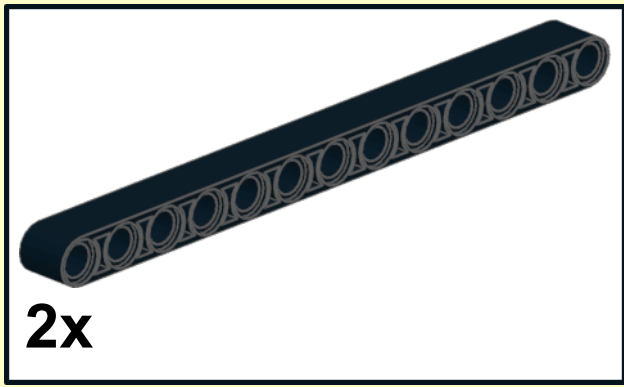
4
4x



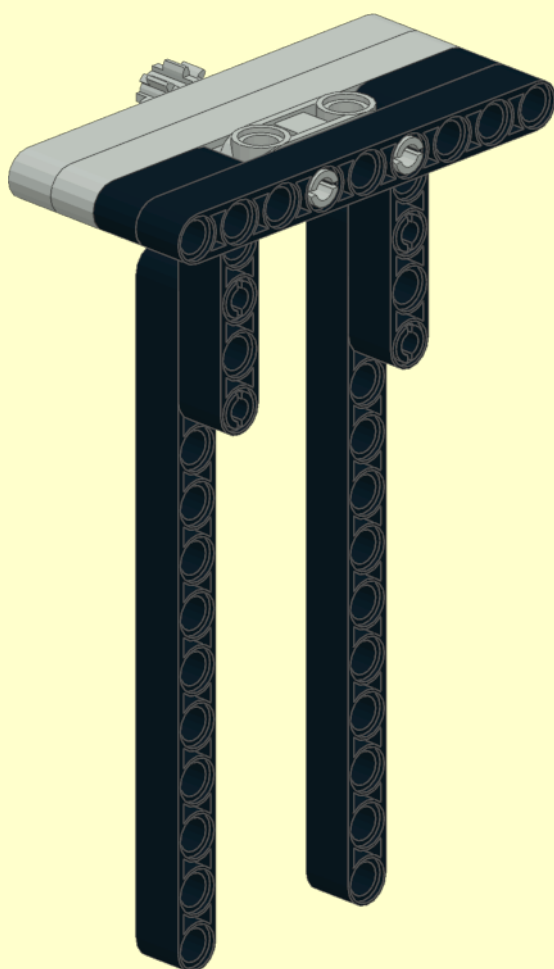
5



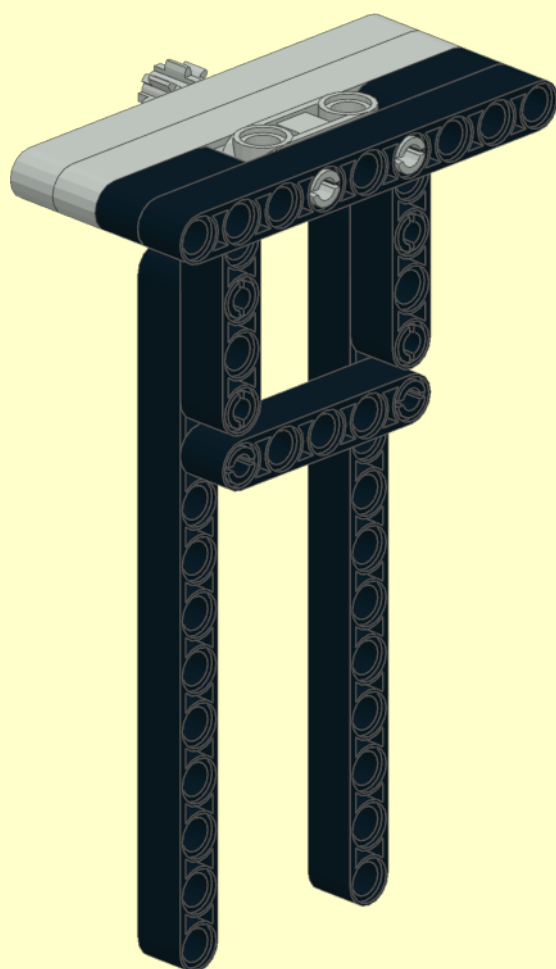
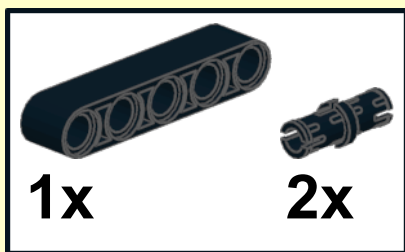
6



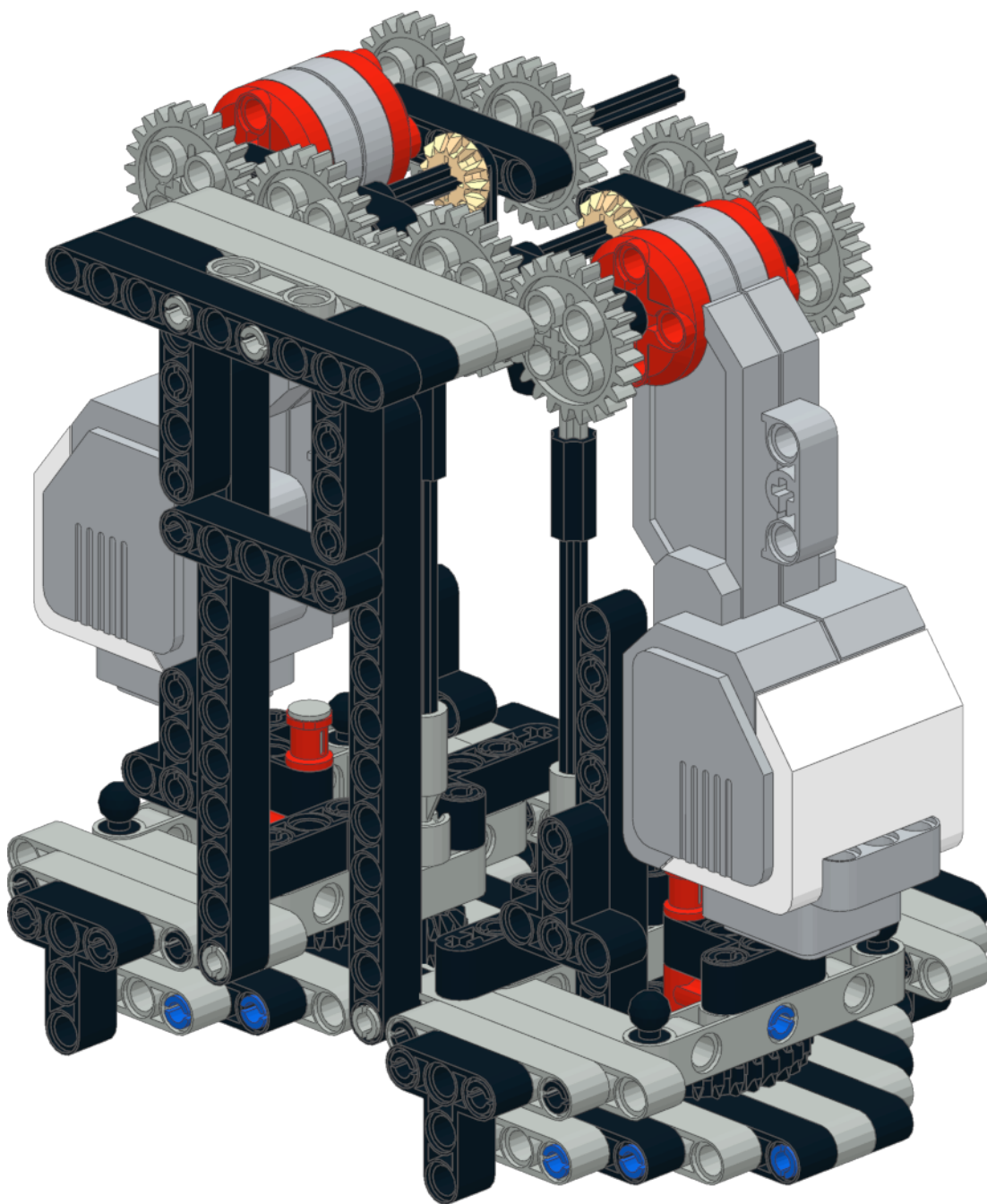
7

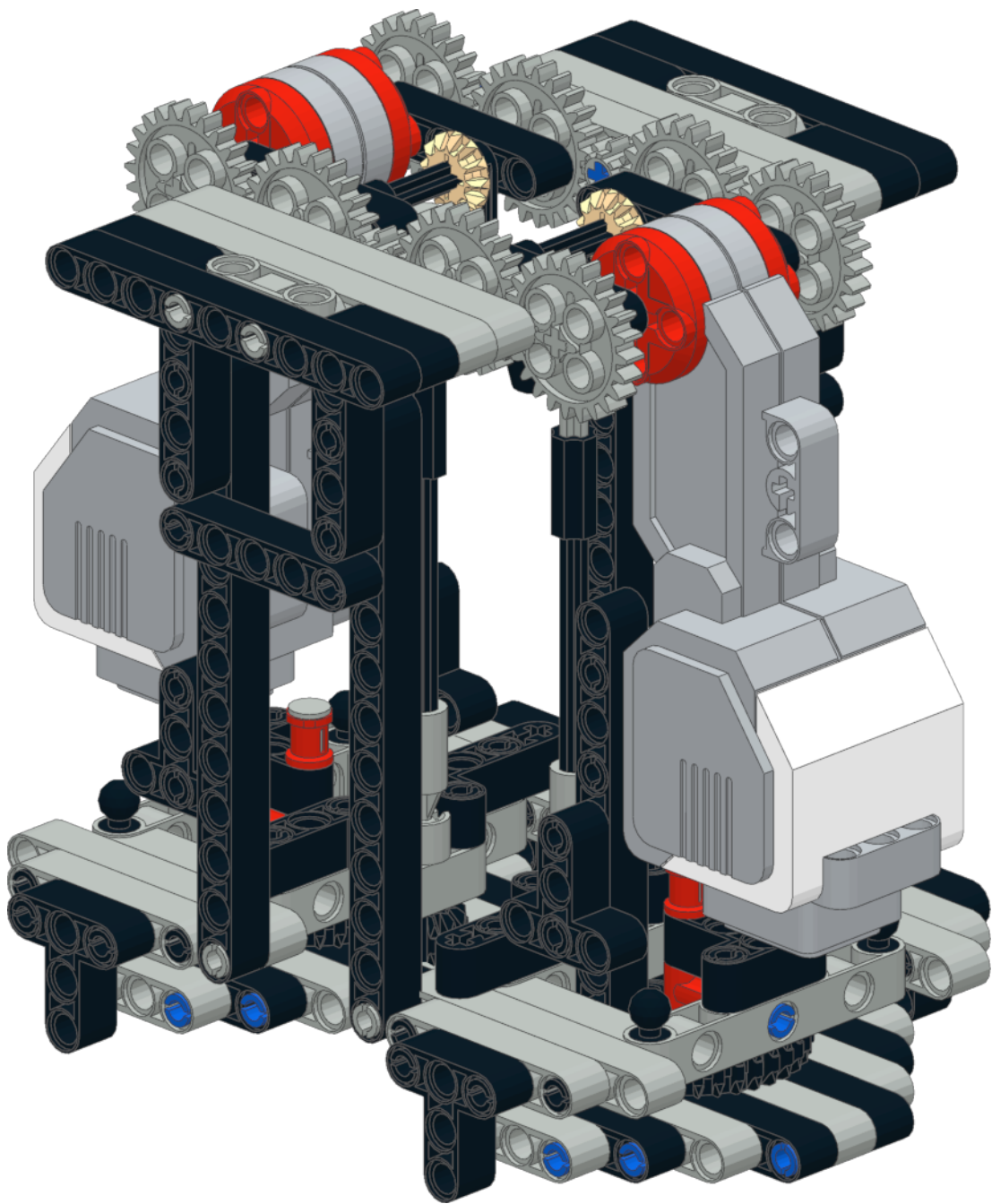


8

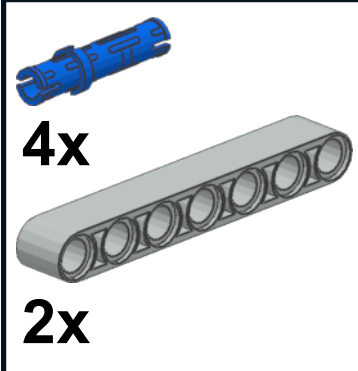


x2



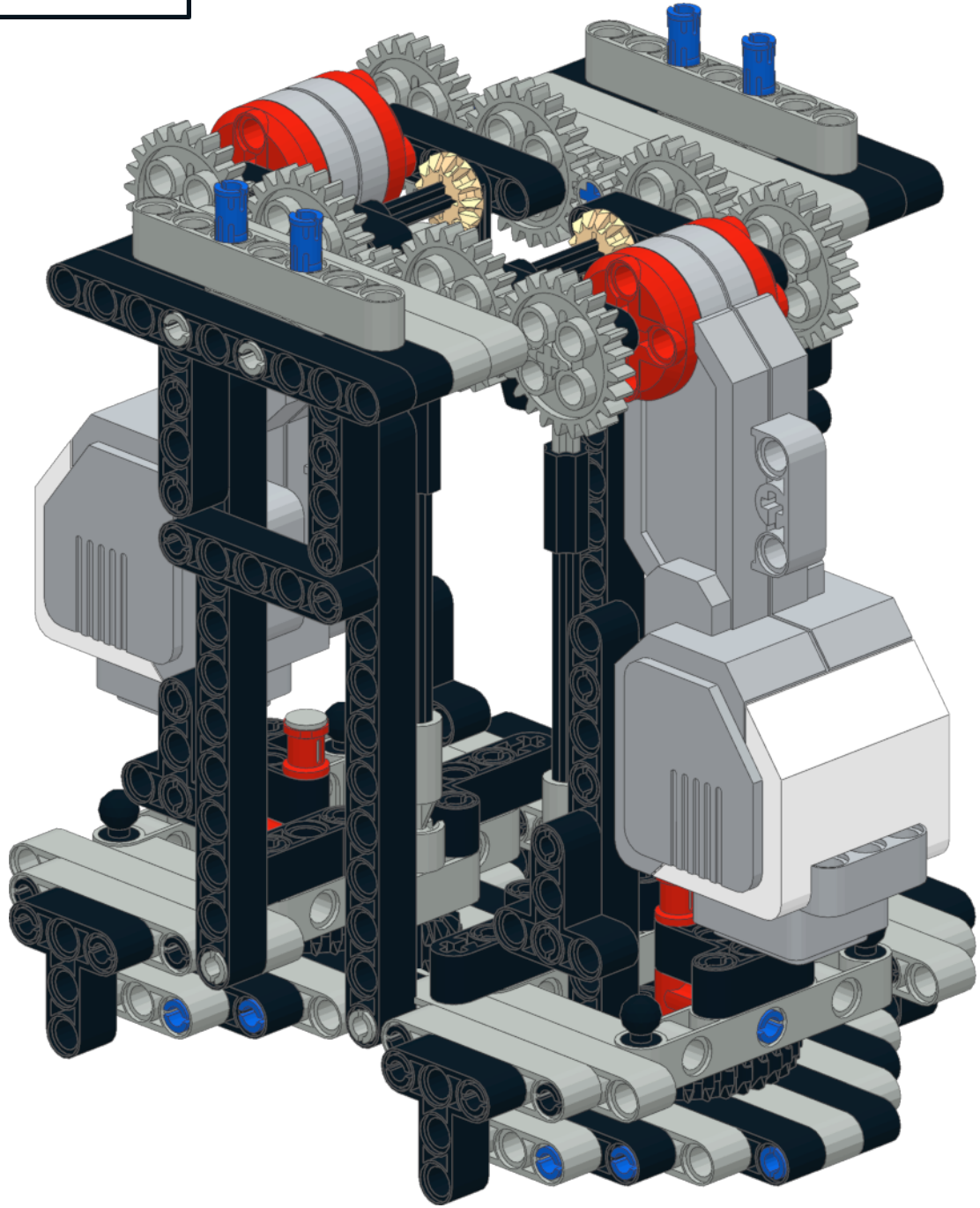


6

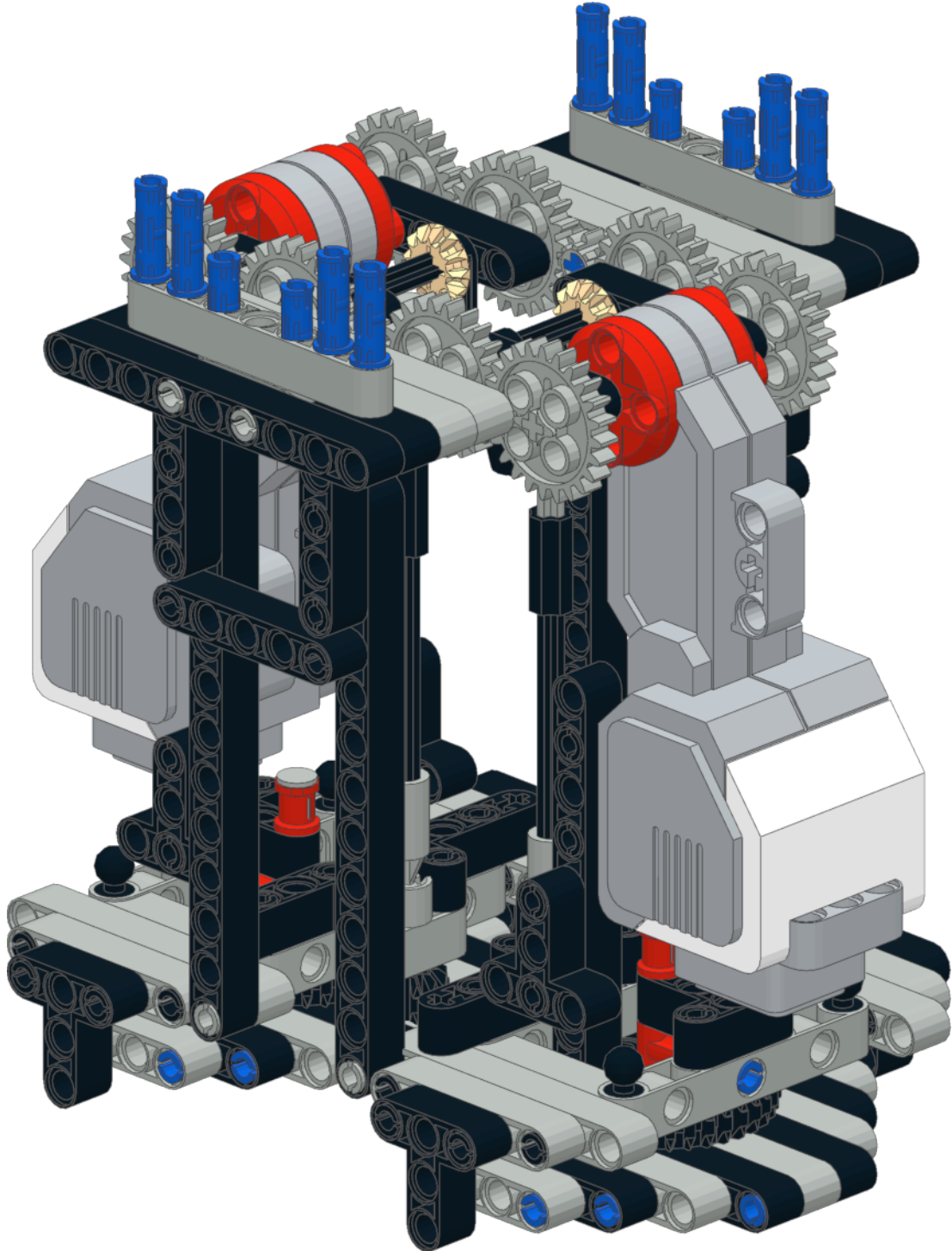


4x

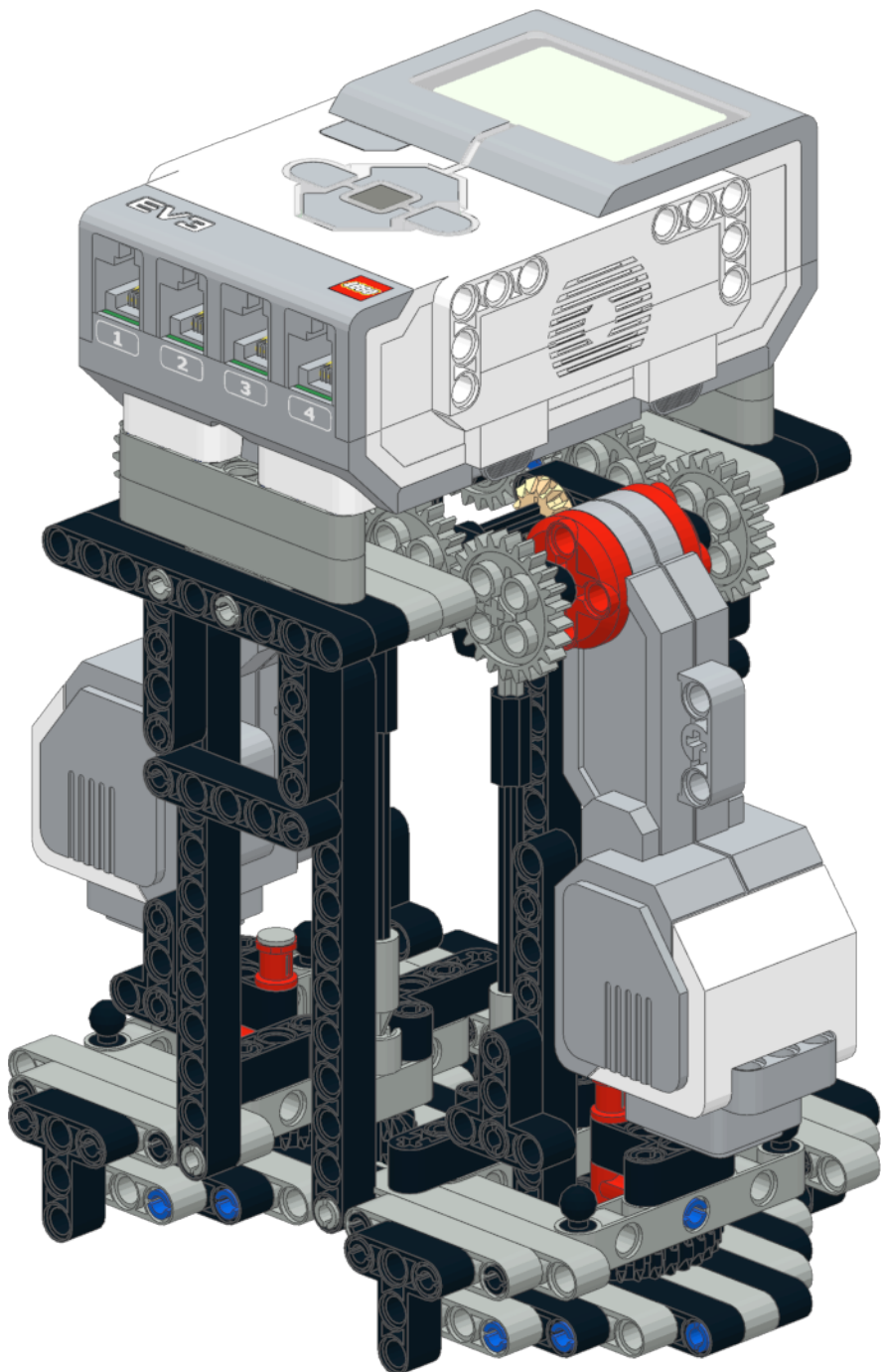
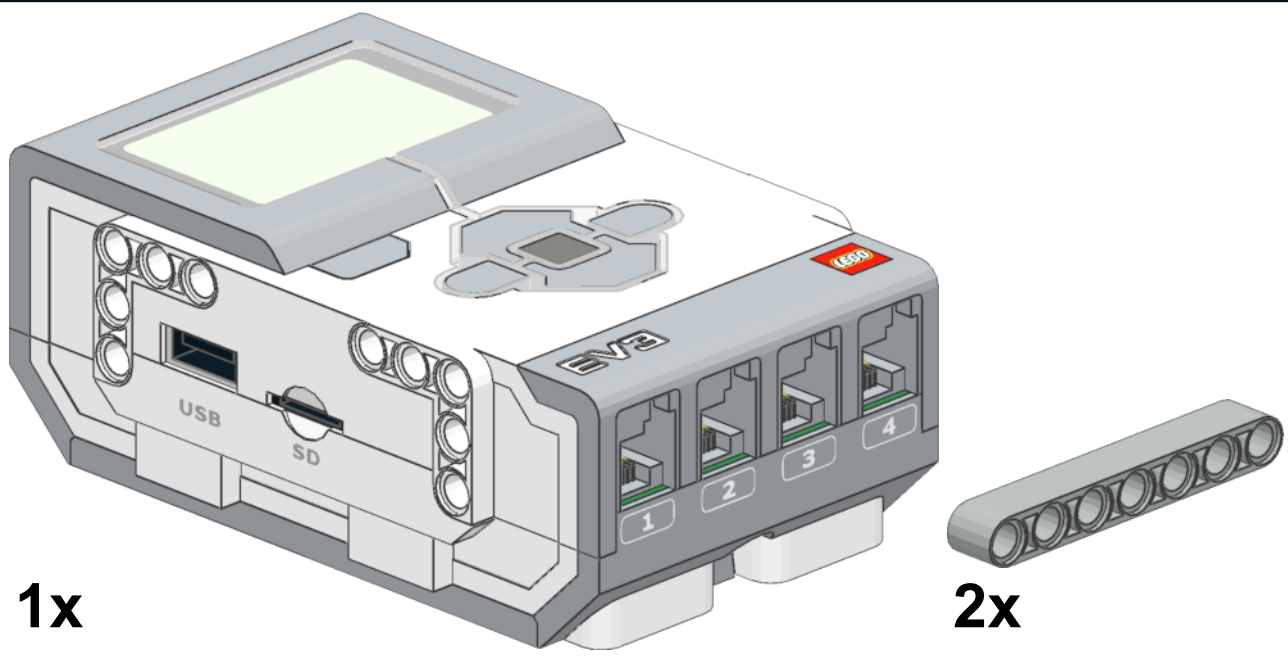
2x



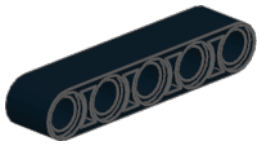
7
8x



8



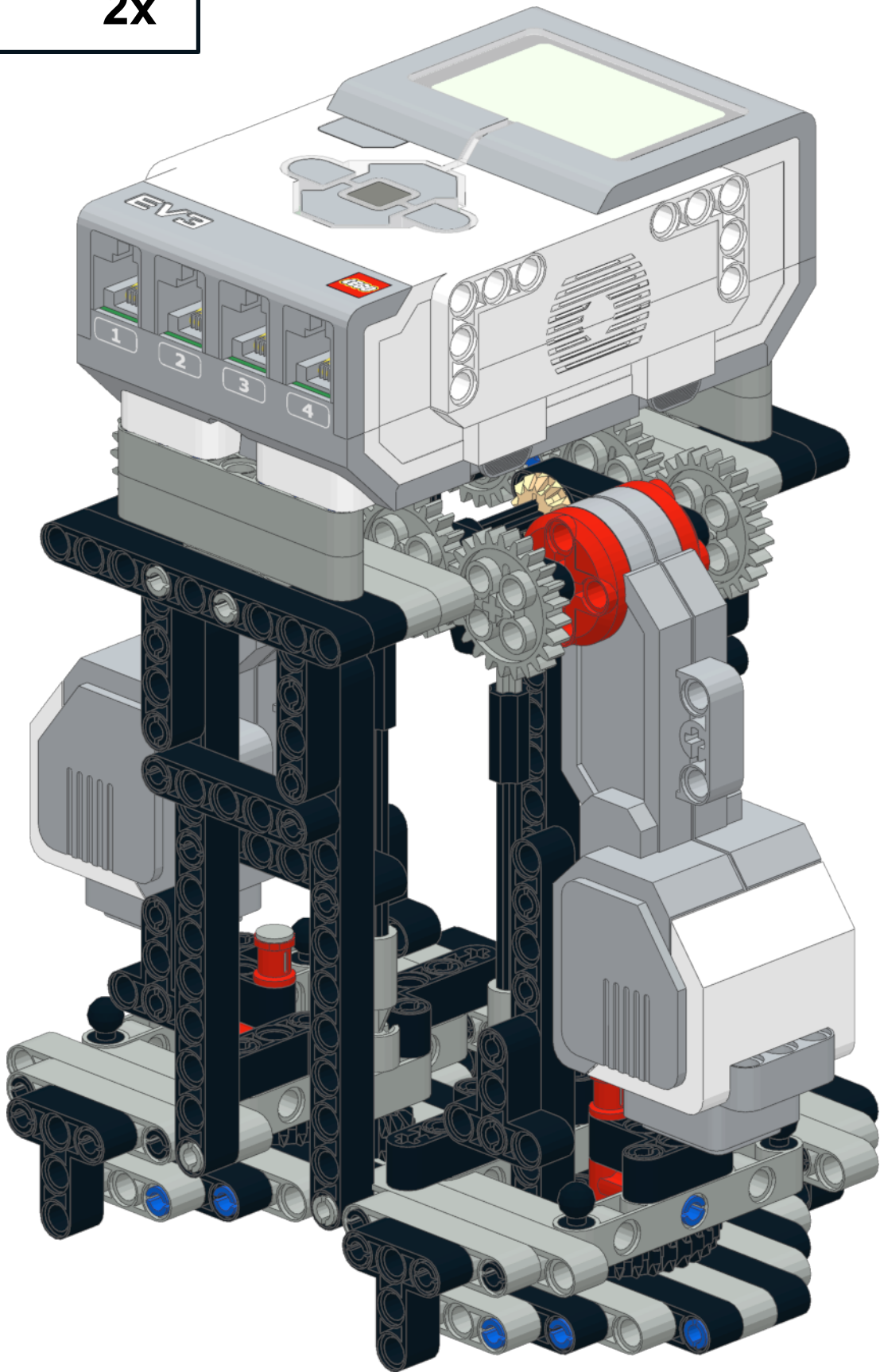
9



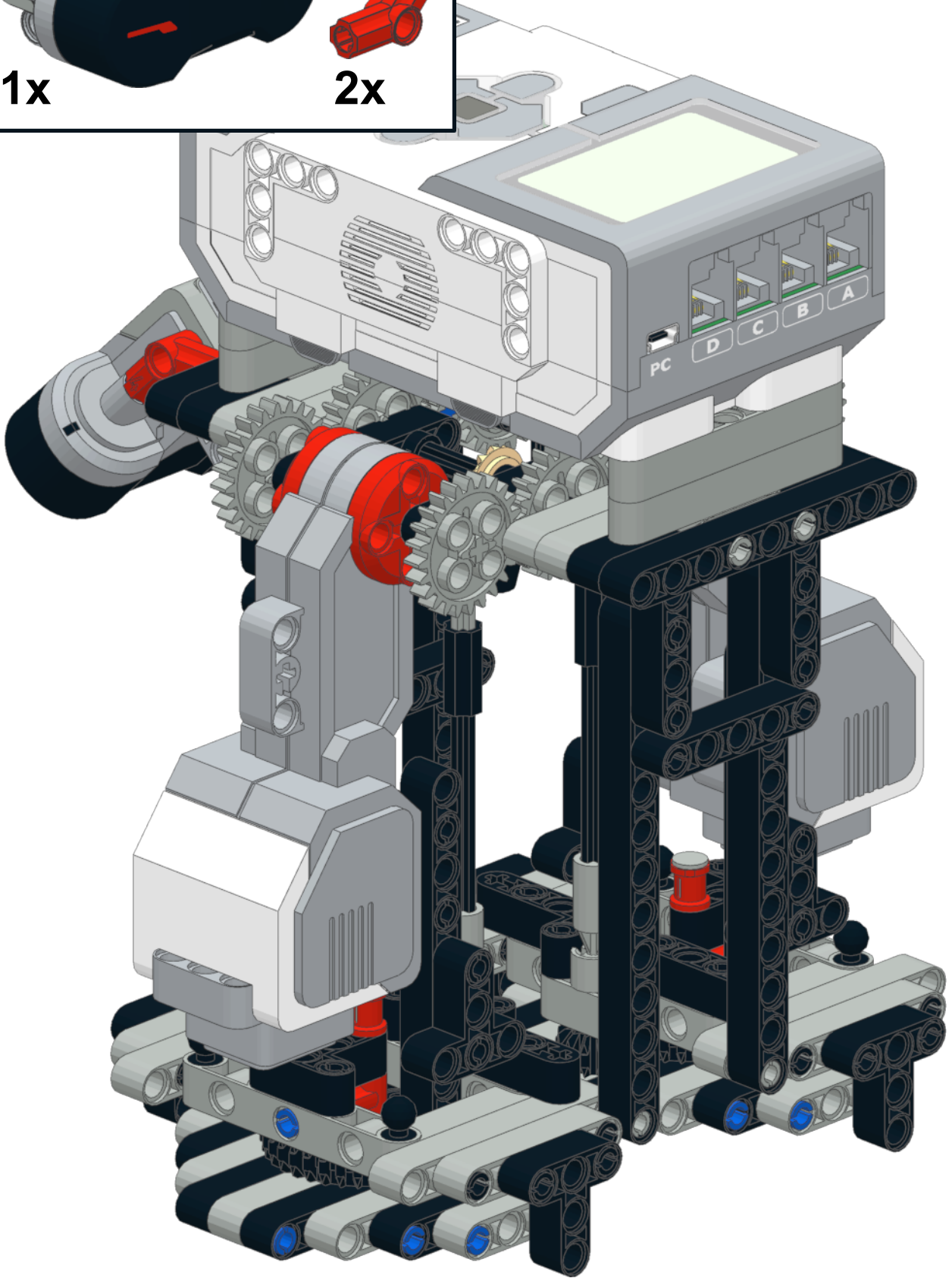
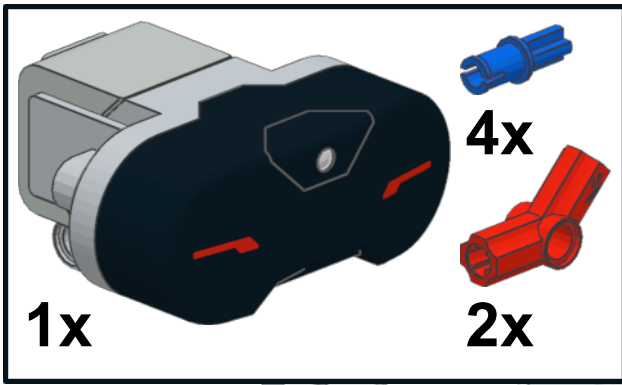
1x



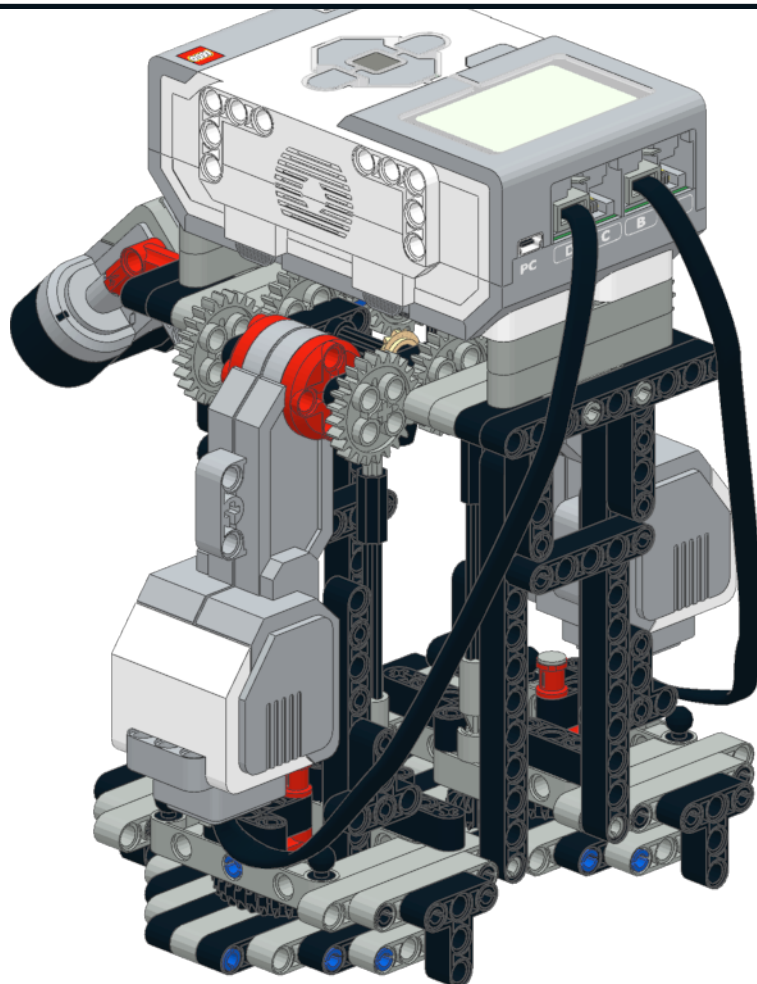
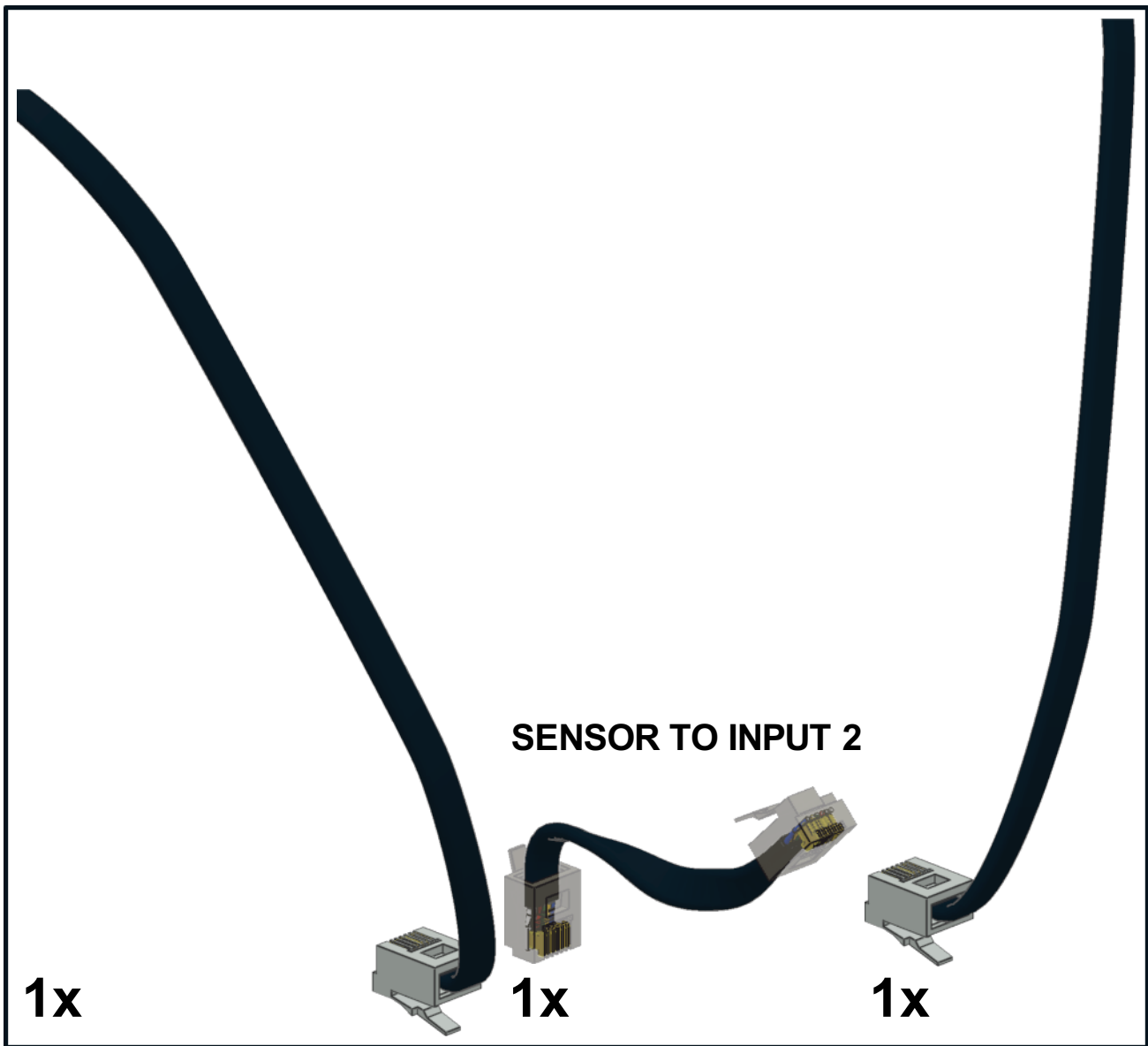
2x

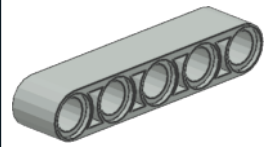


10

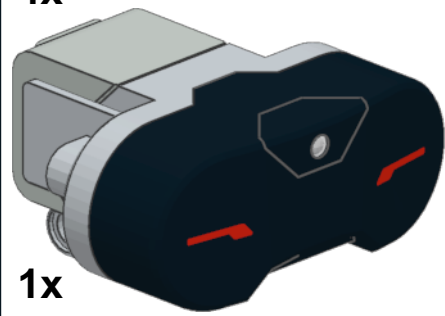


11

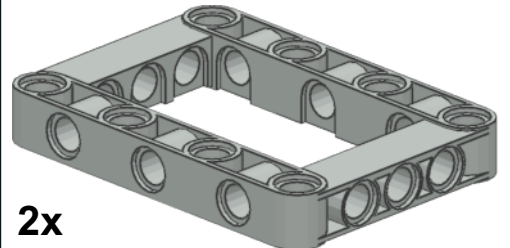




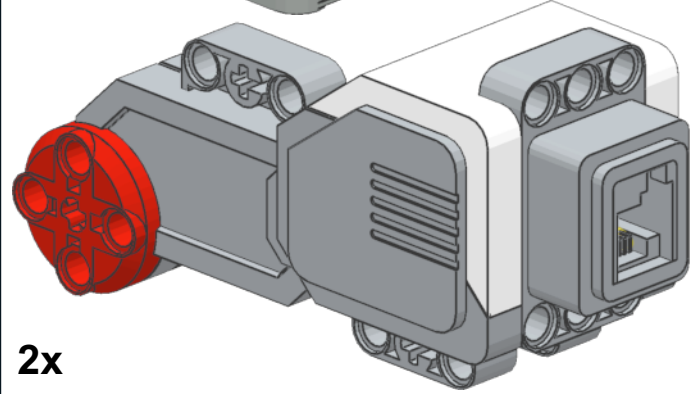
4x



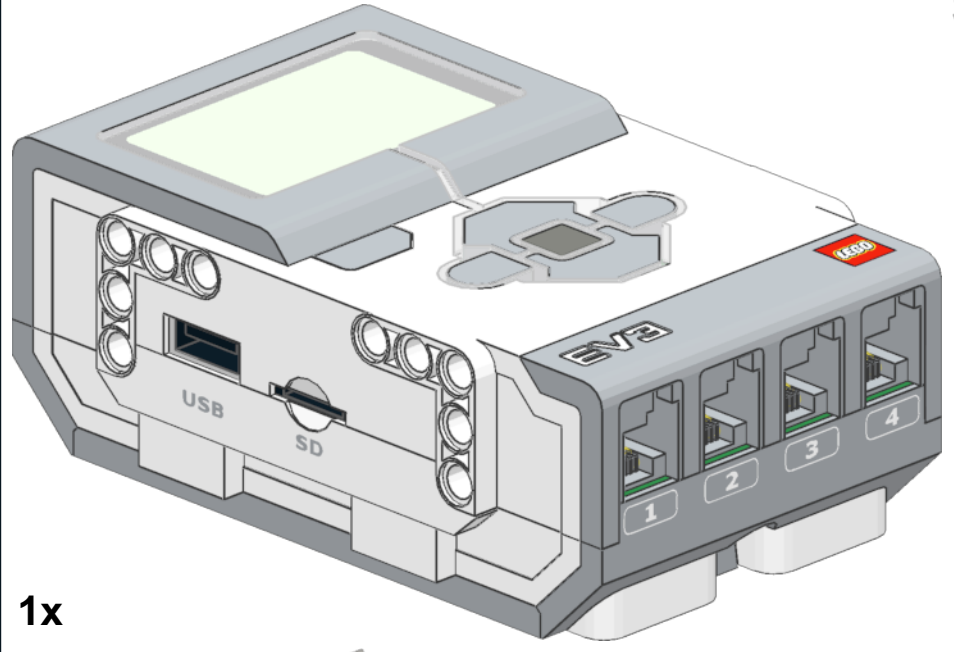
1x



2x



2x



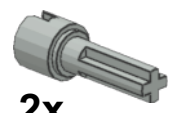
1x



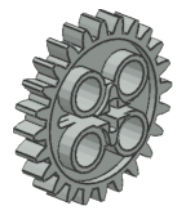
1x



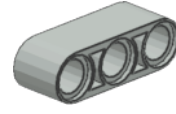
2x



2x



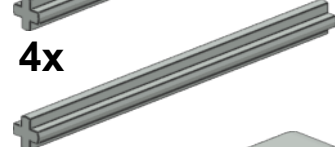
8x



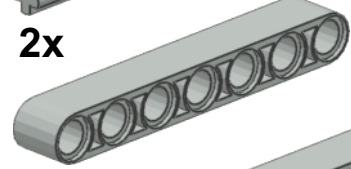
10x



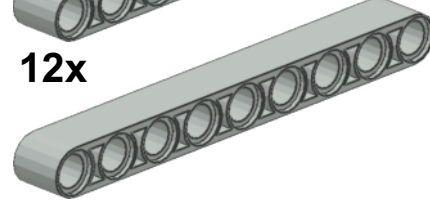
4x



2x



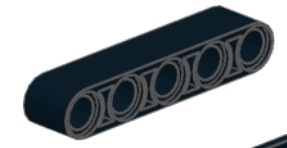
12x



4x



1x



11x



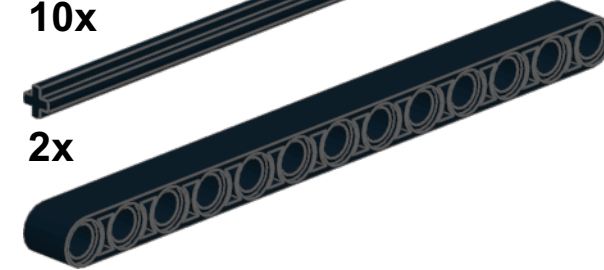
2x



10x



2x



4x



8x



52x



2x



2x



2x

2x



2x



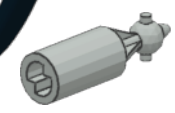
4x



4x



1x



2x



2x



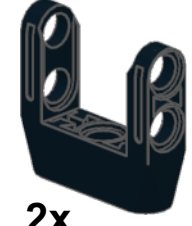
4x



4x



74x



2x



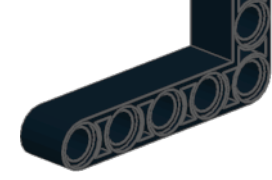
10x



4x



2x



4x