

BIG F33T

Remote controlled biped walker
Using two large motors

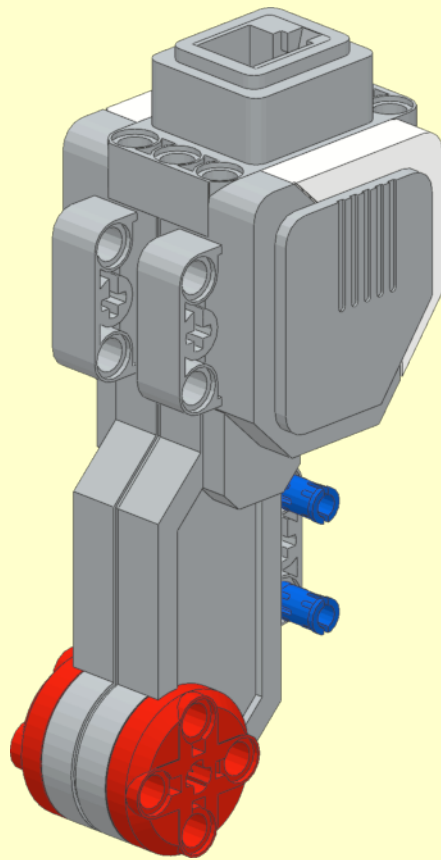
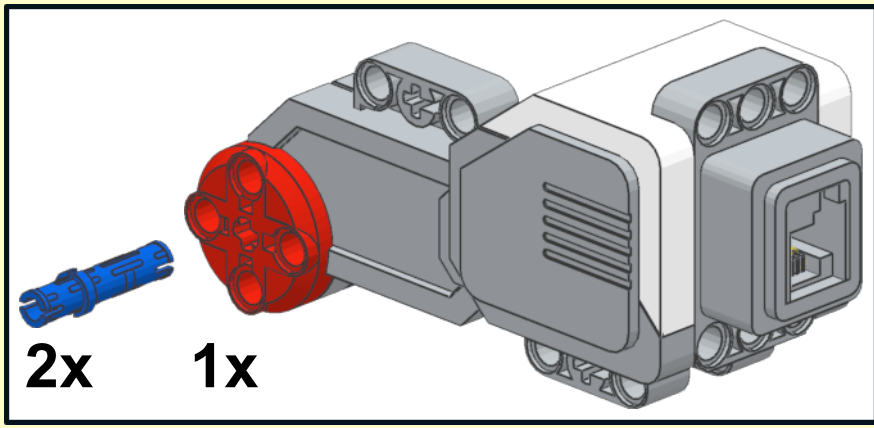
by

Stu Nicholls

<http://www.stunicholls.com>



1

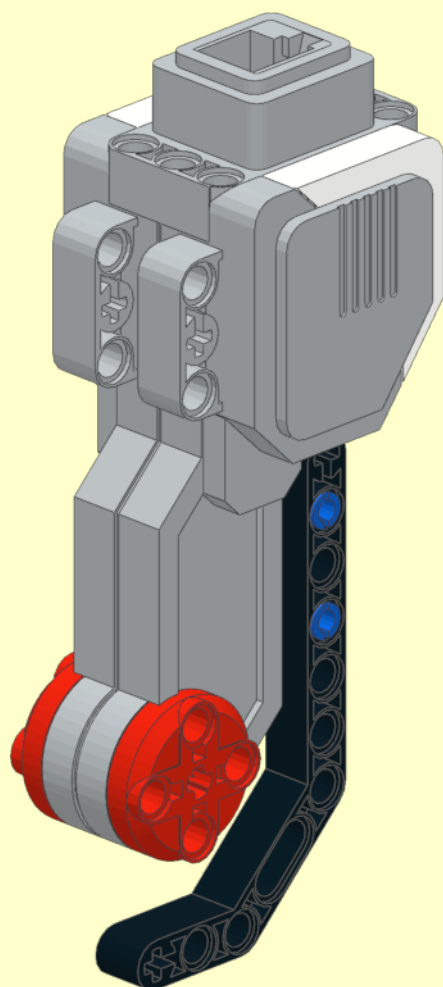


2

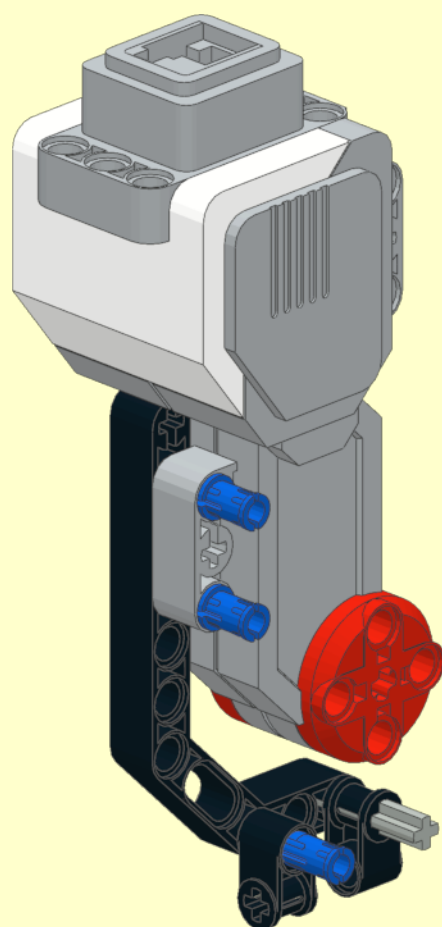
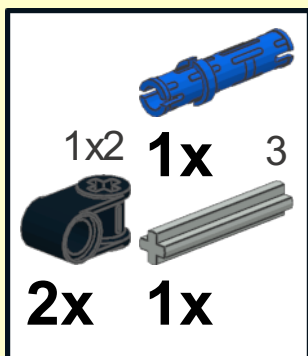
3x3.8x7



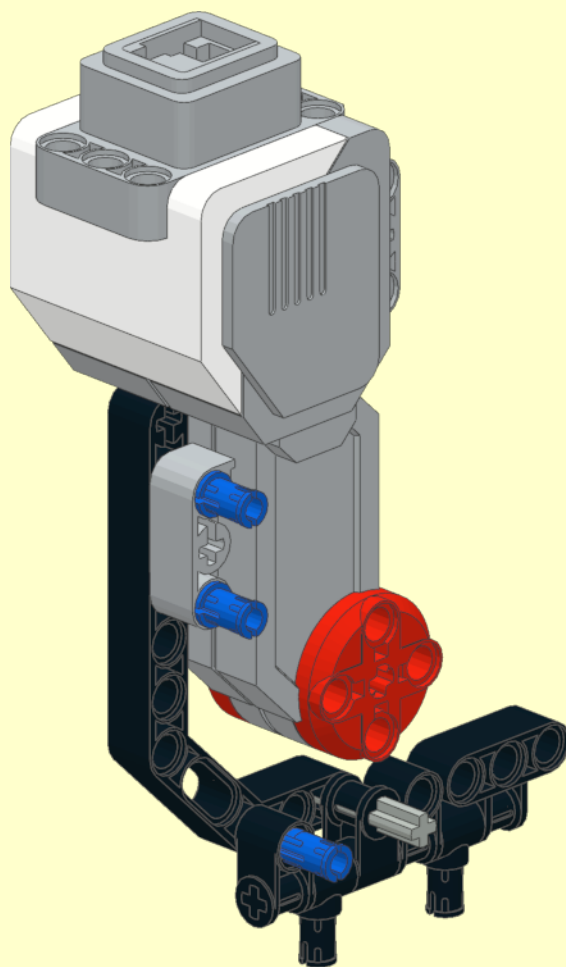
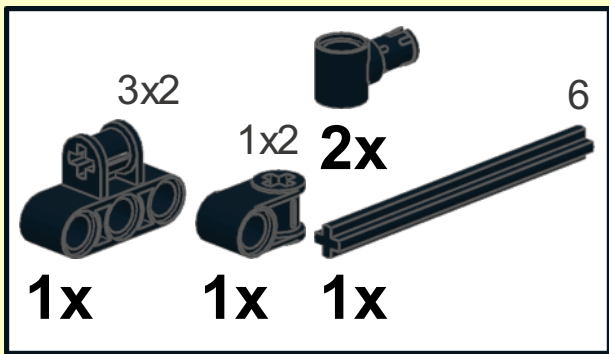
1x



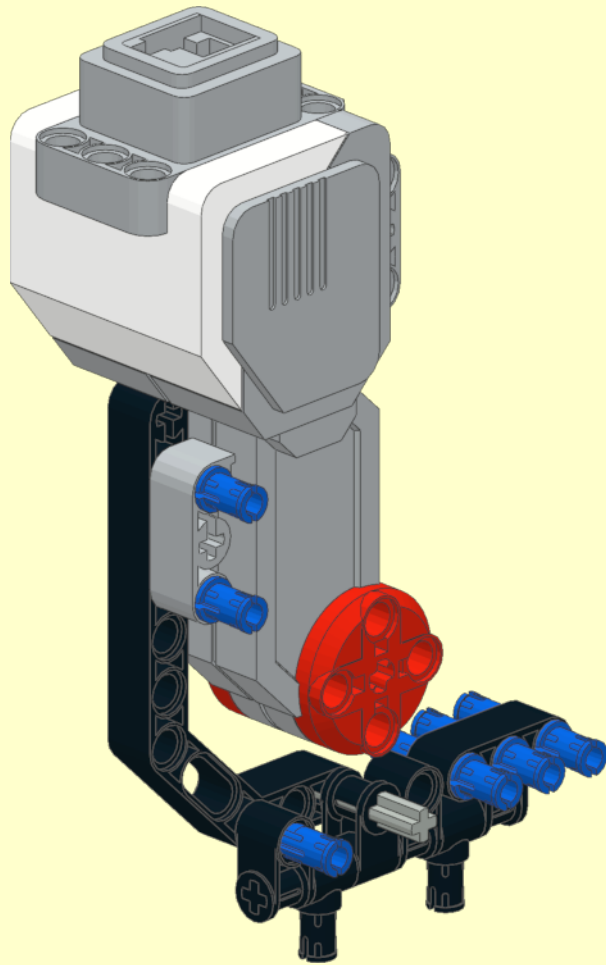
3



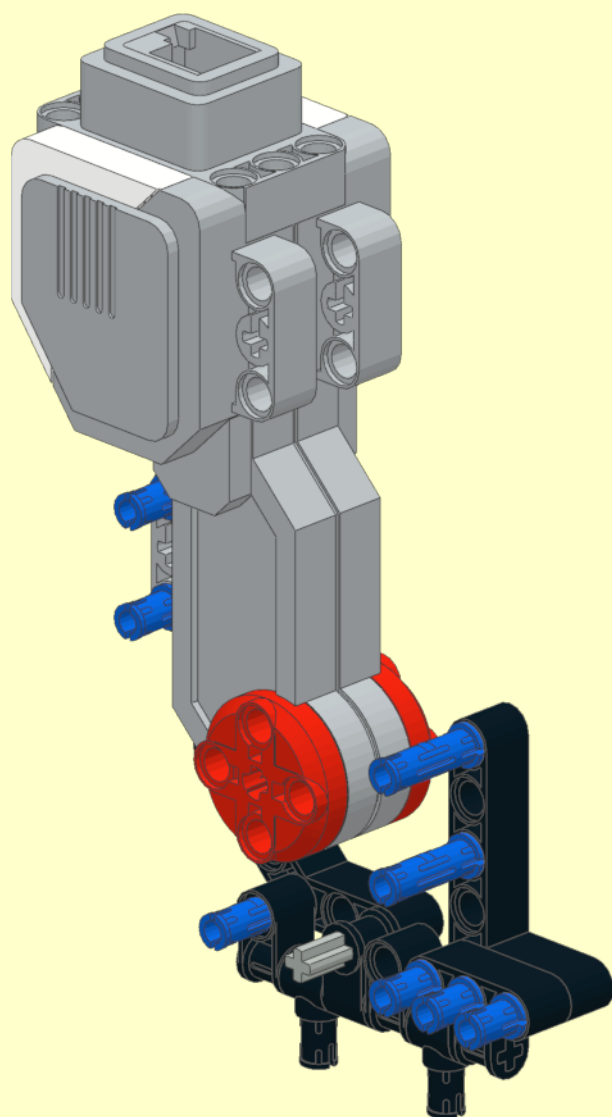
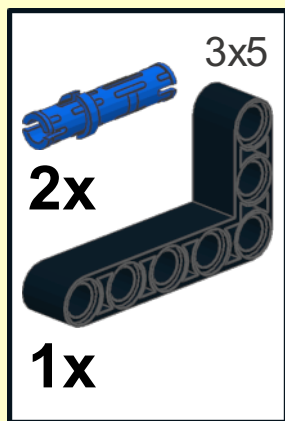
4



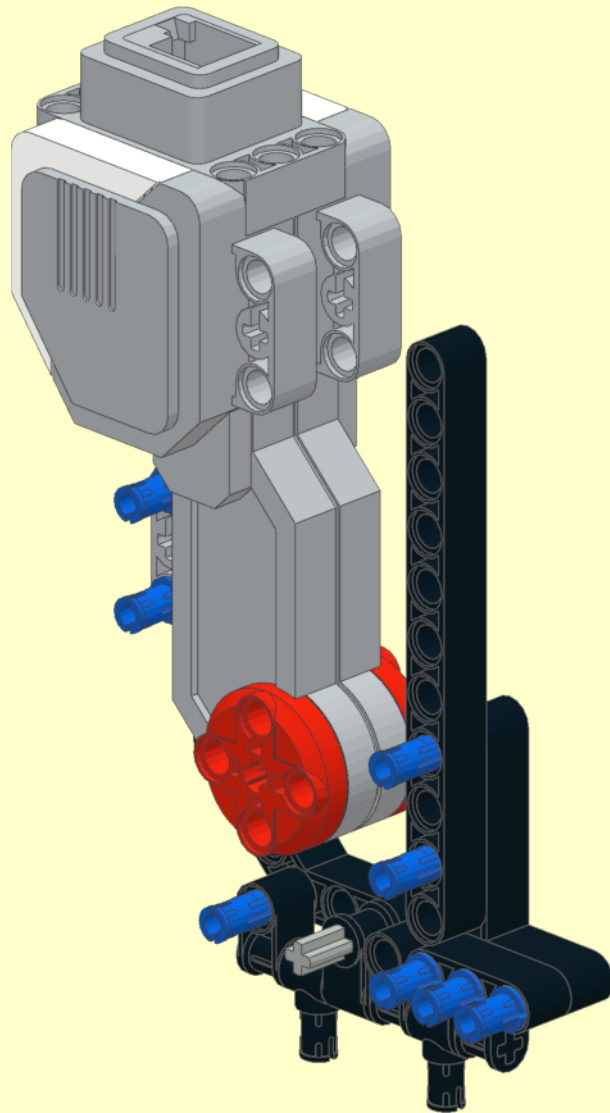
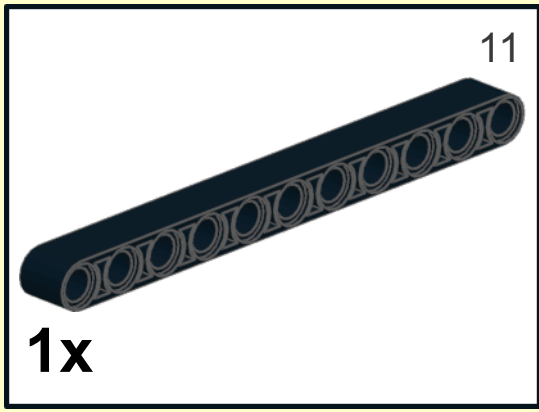
5



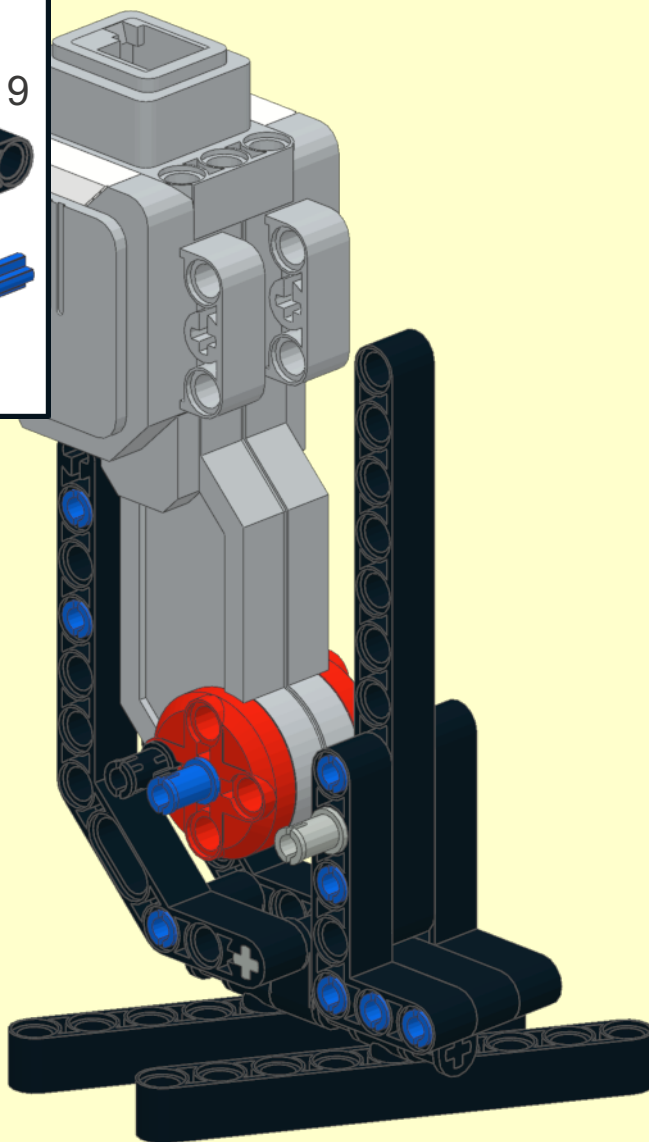
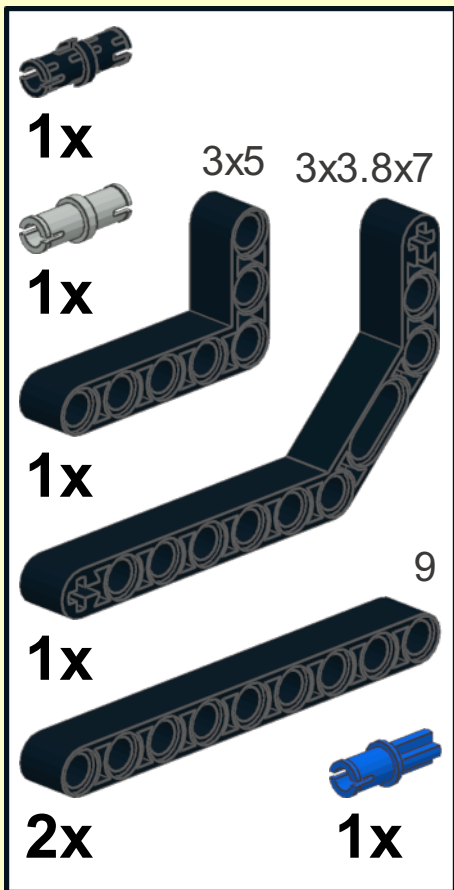
6



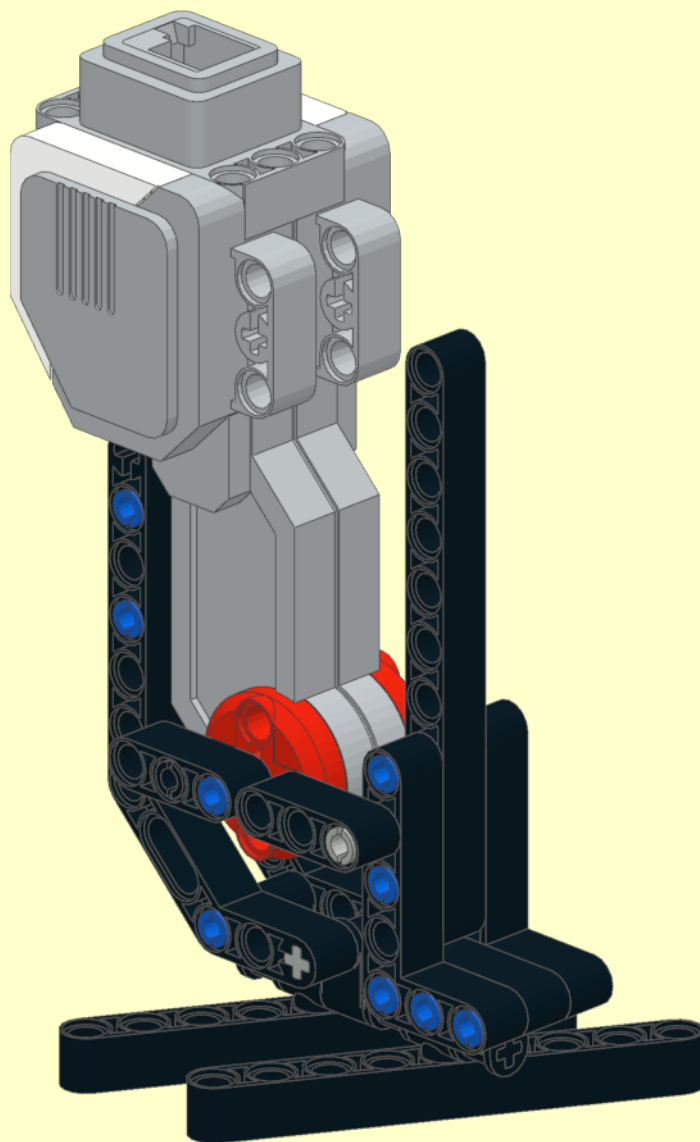
7



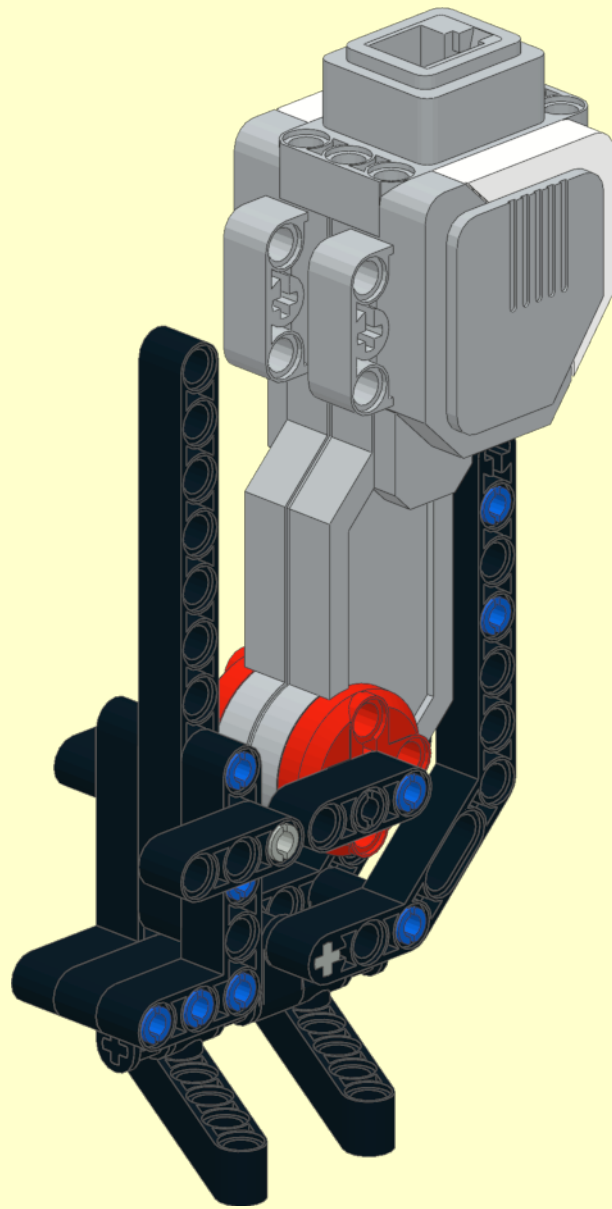
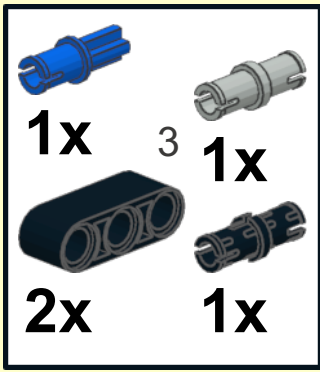
8



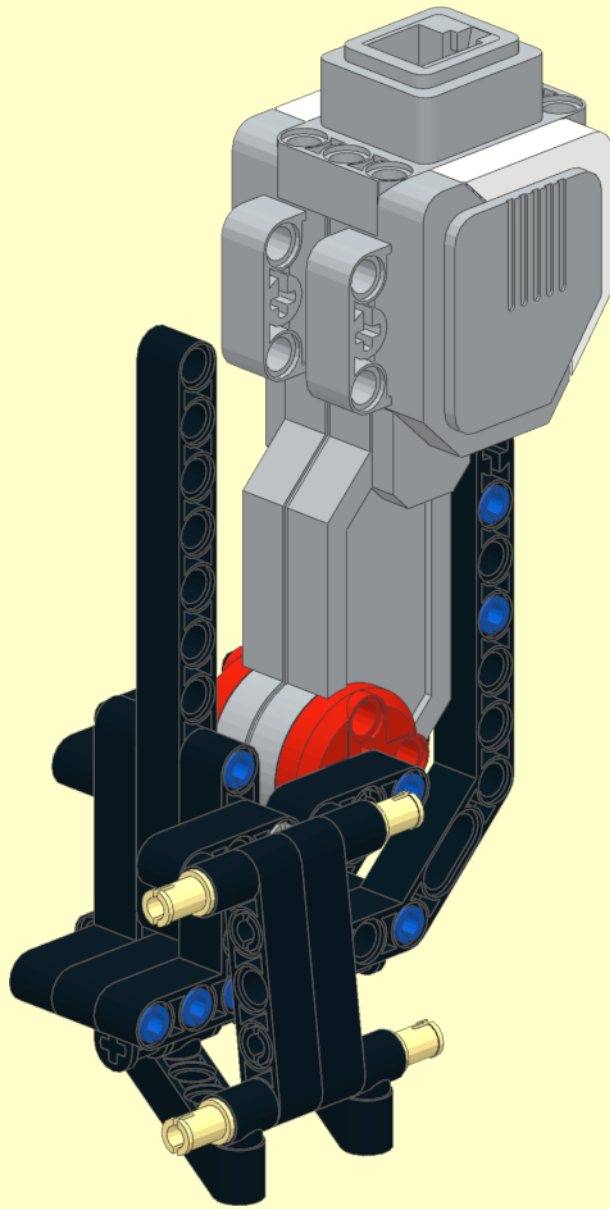
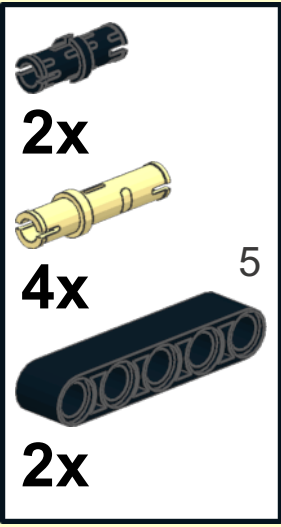
9



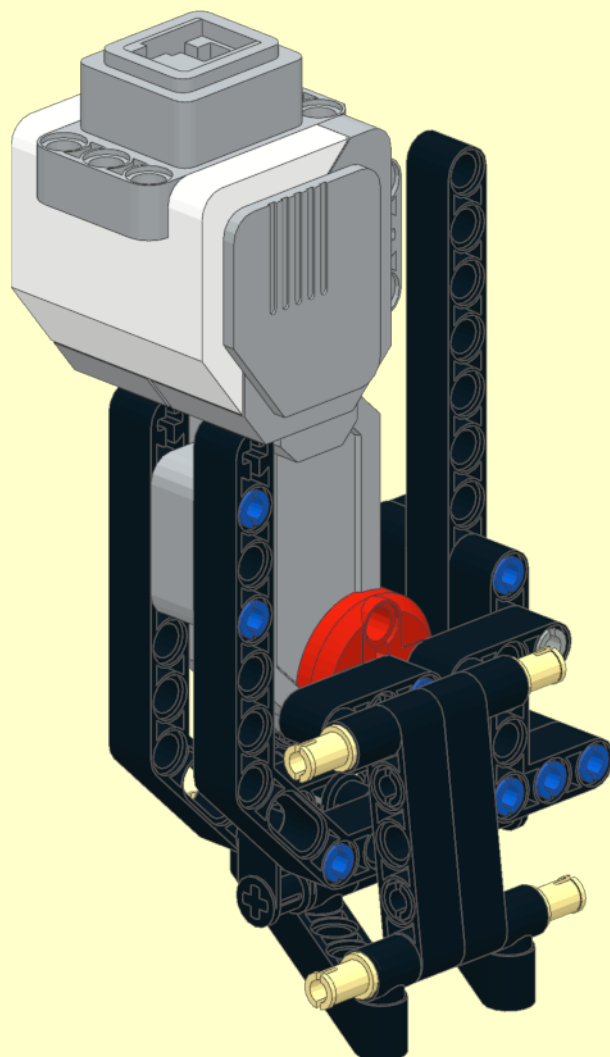
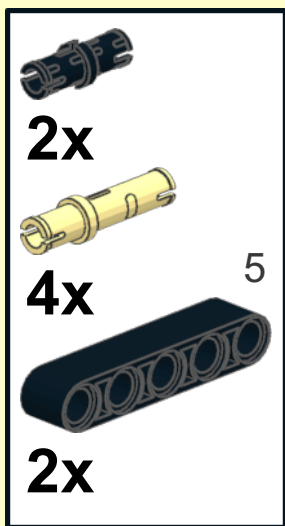
10



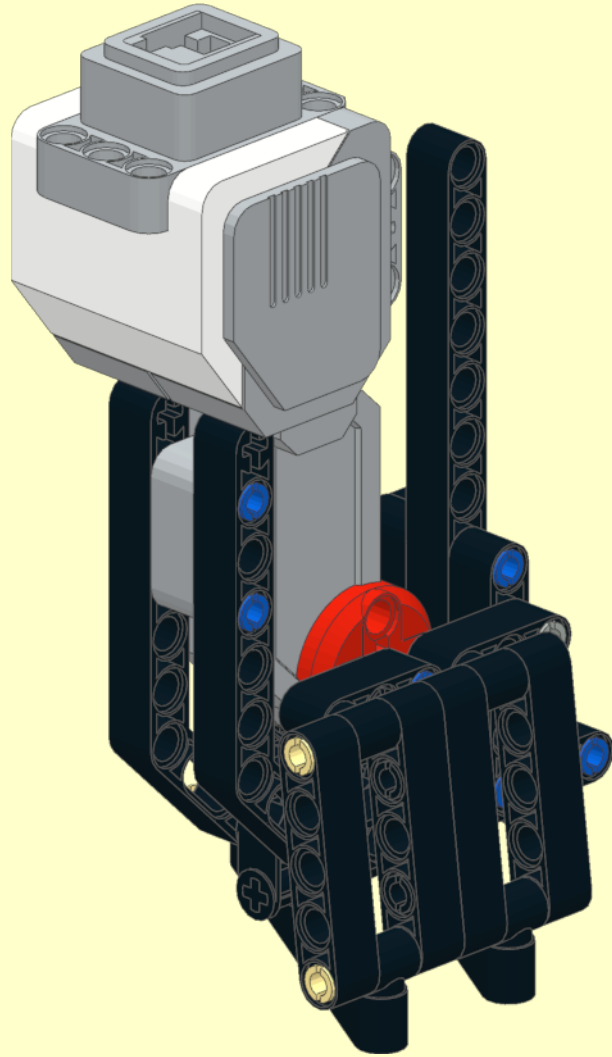
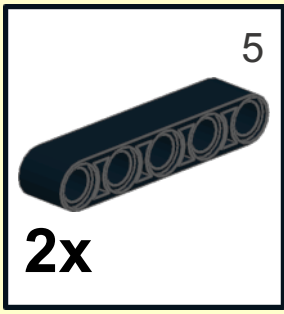
12



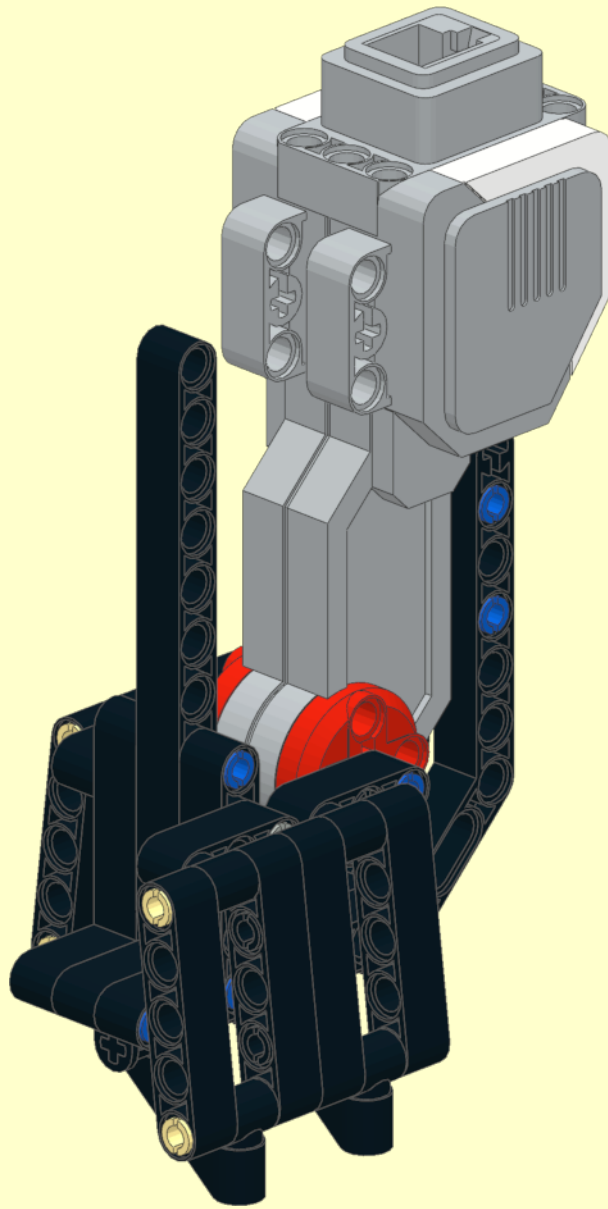
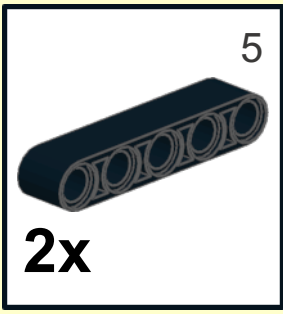
13



14

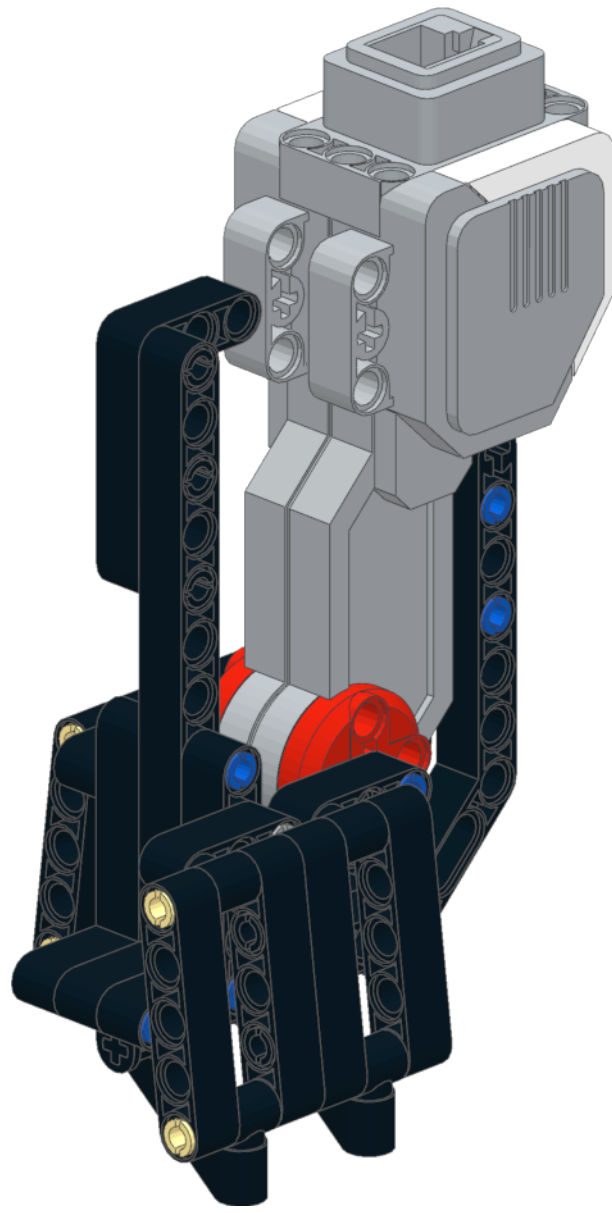
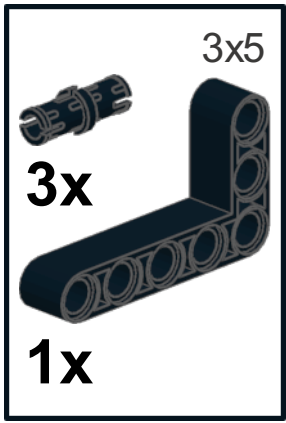


15

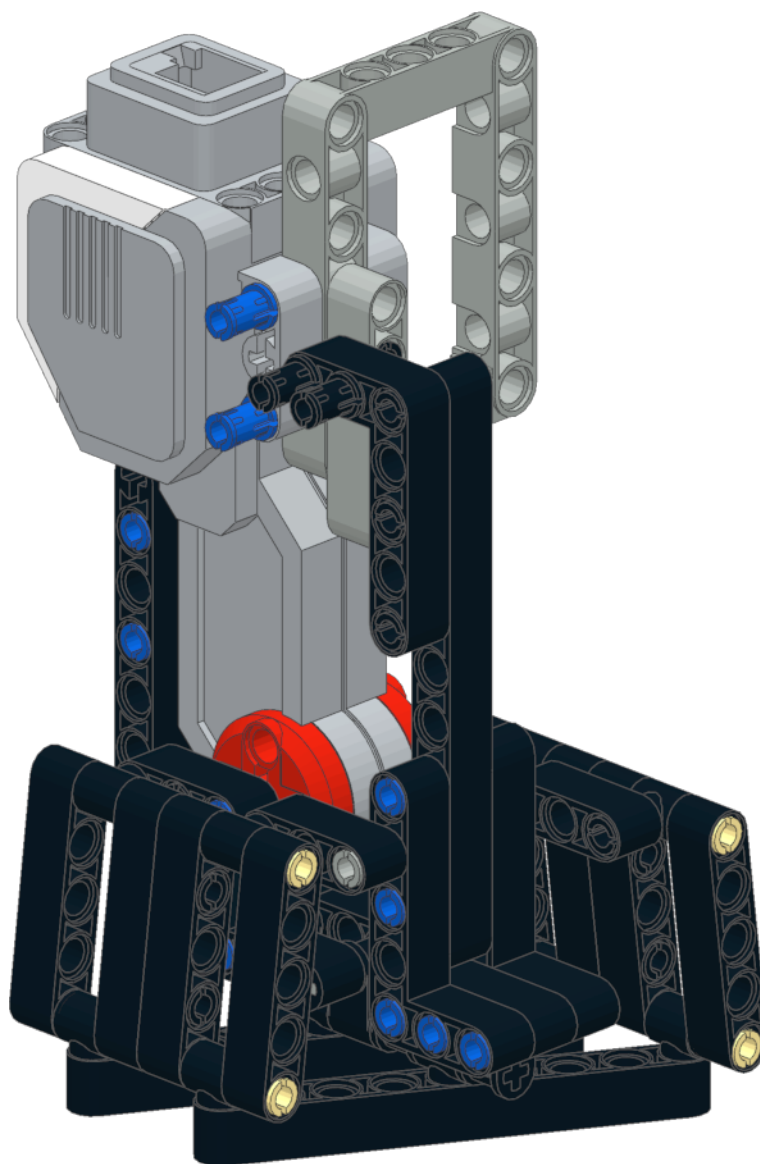
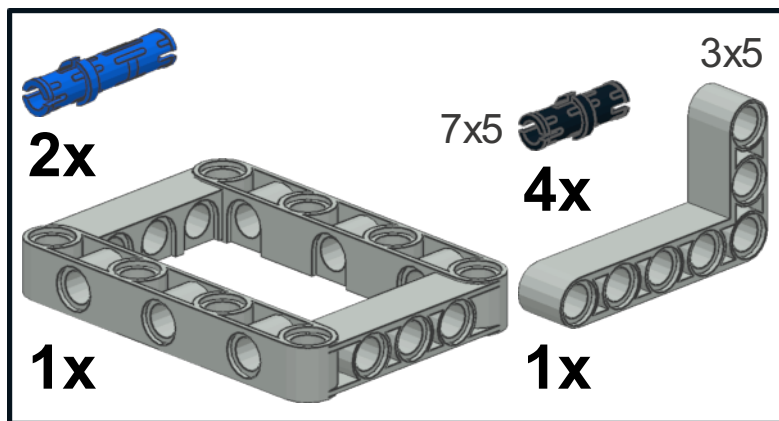


x2

1



2

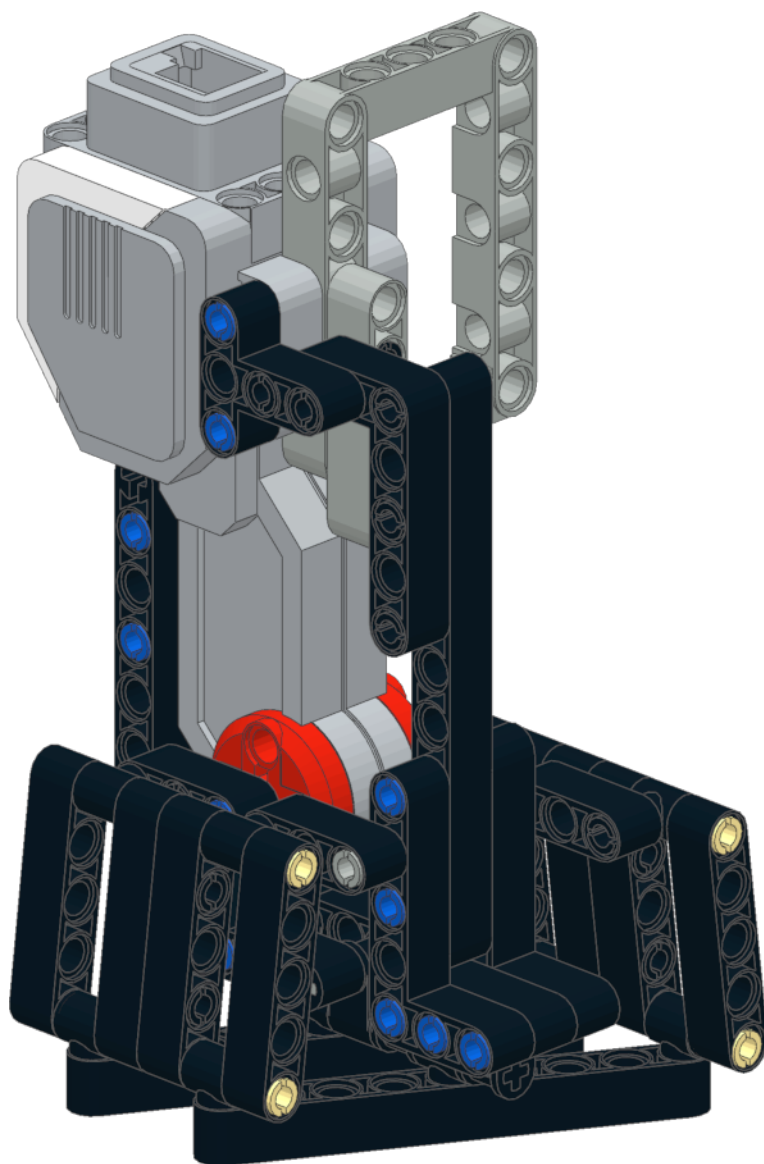


3

3x3



1x

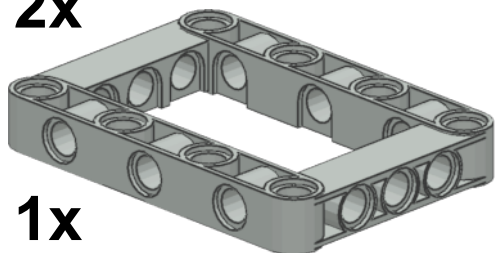


4

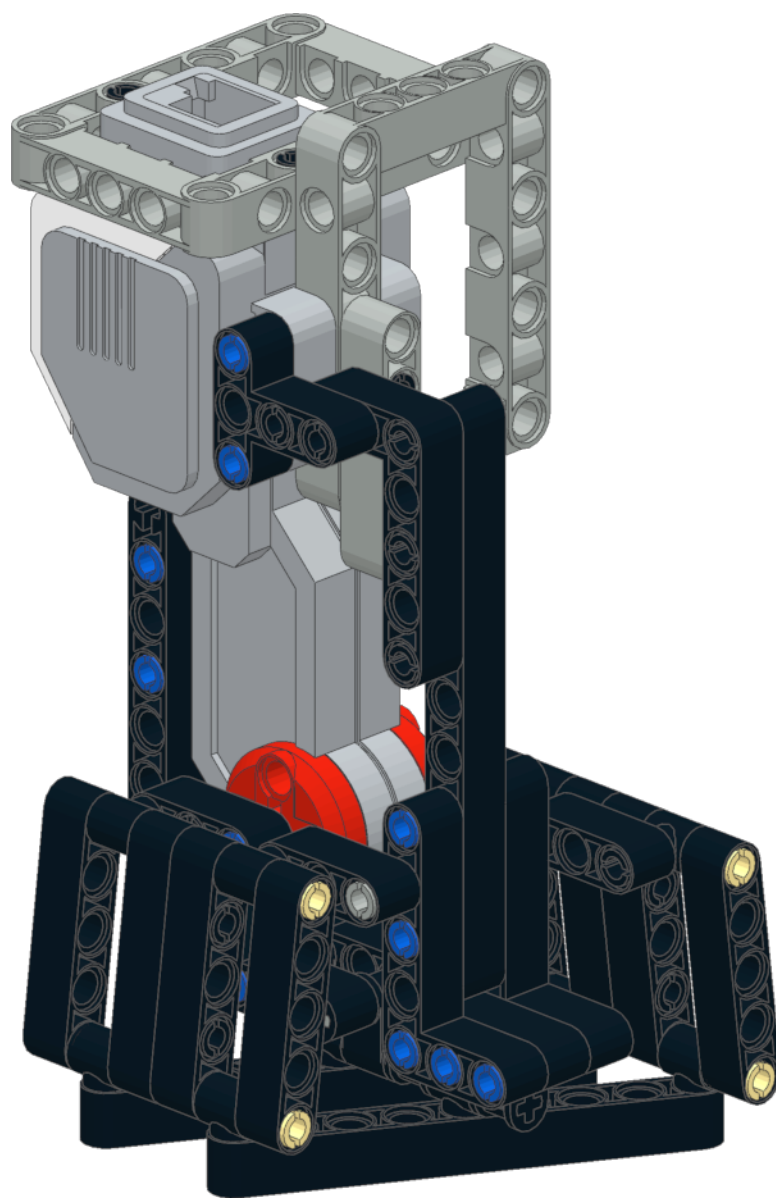


2x

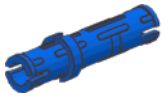
7x5



1x

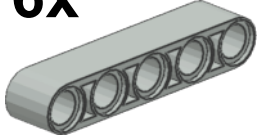


5

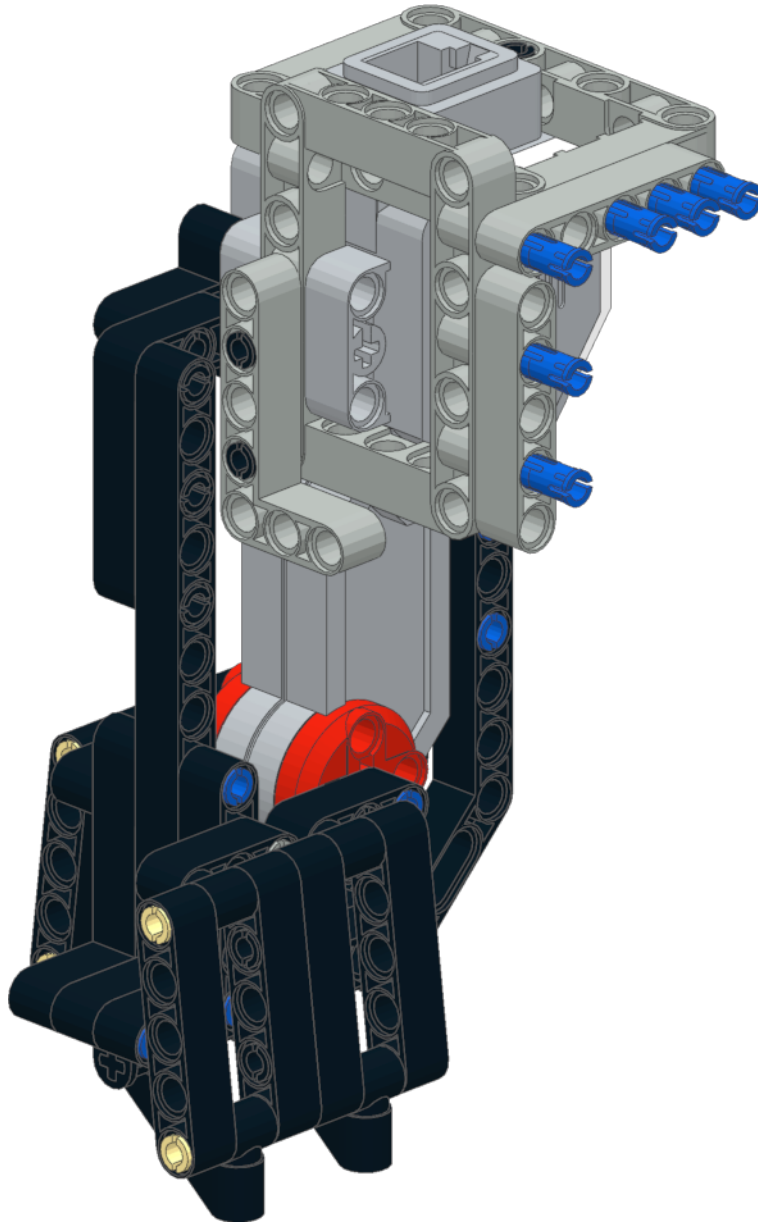


6x

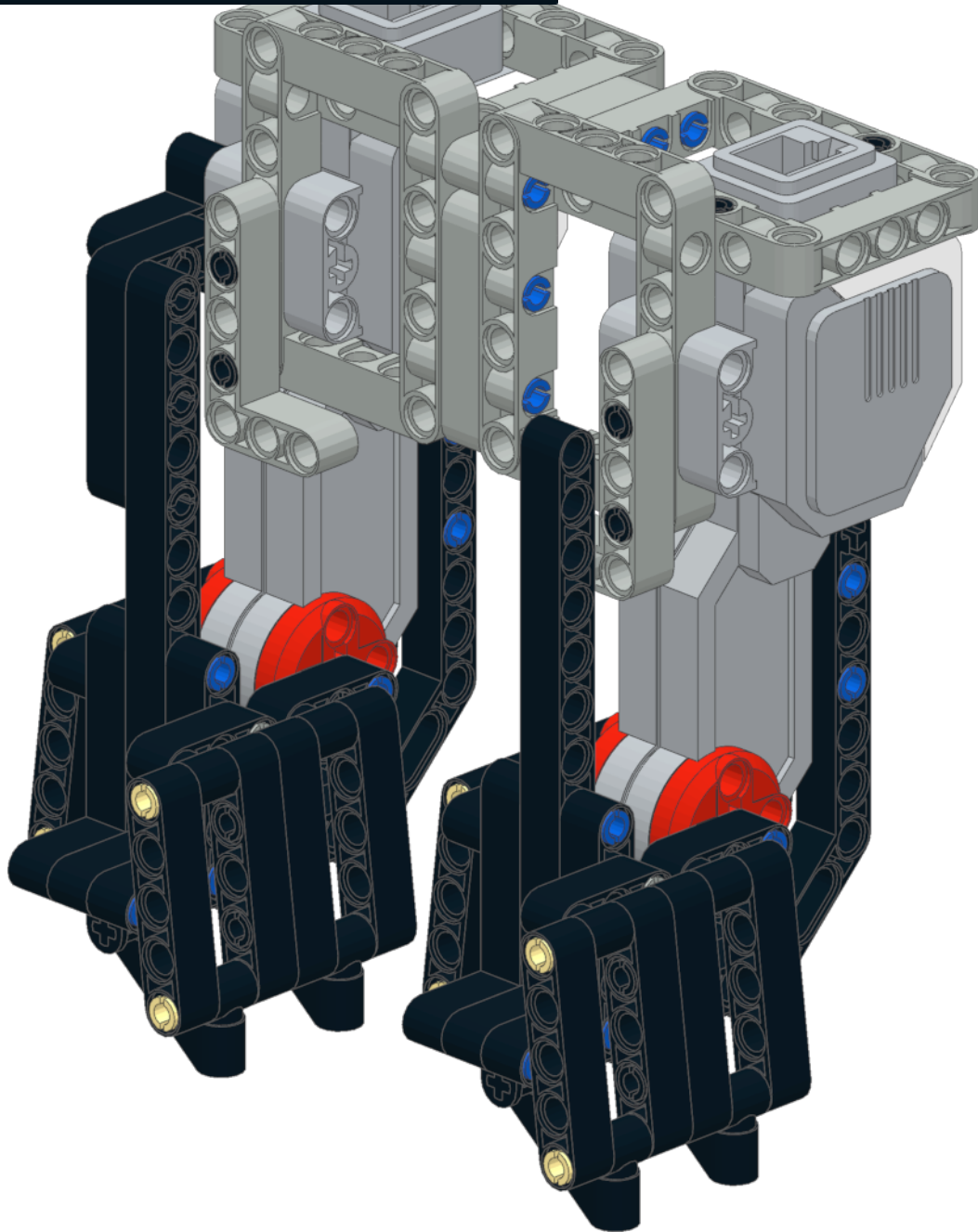
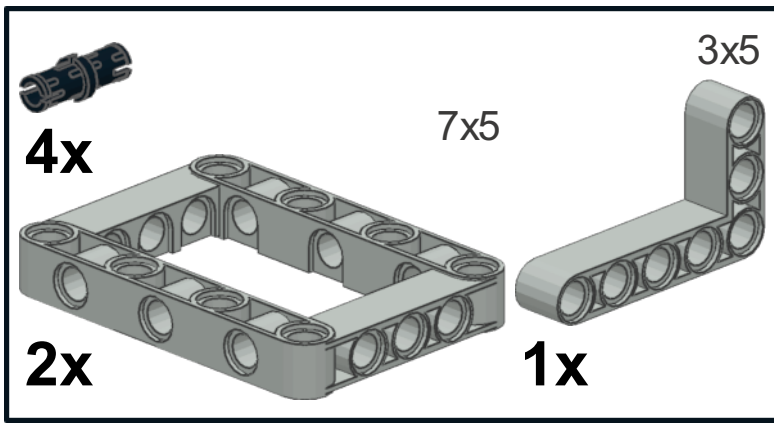
5



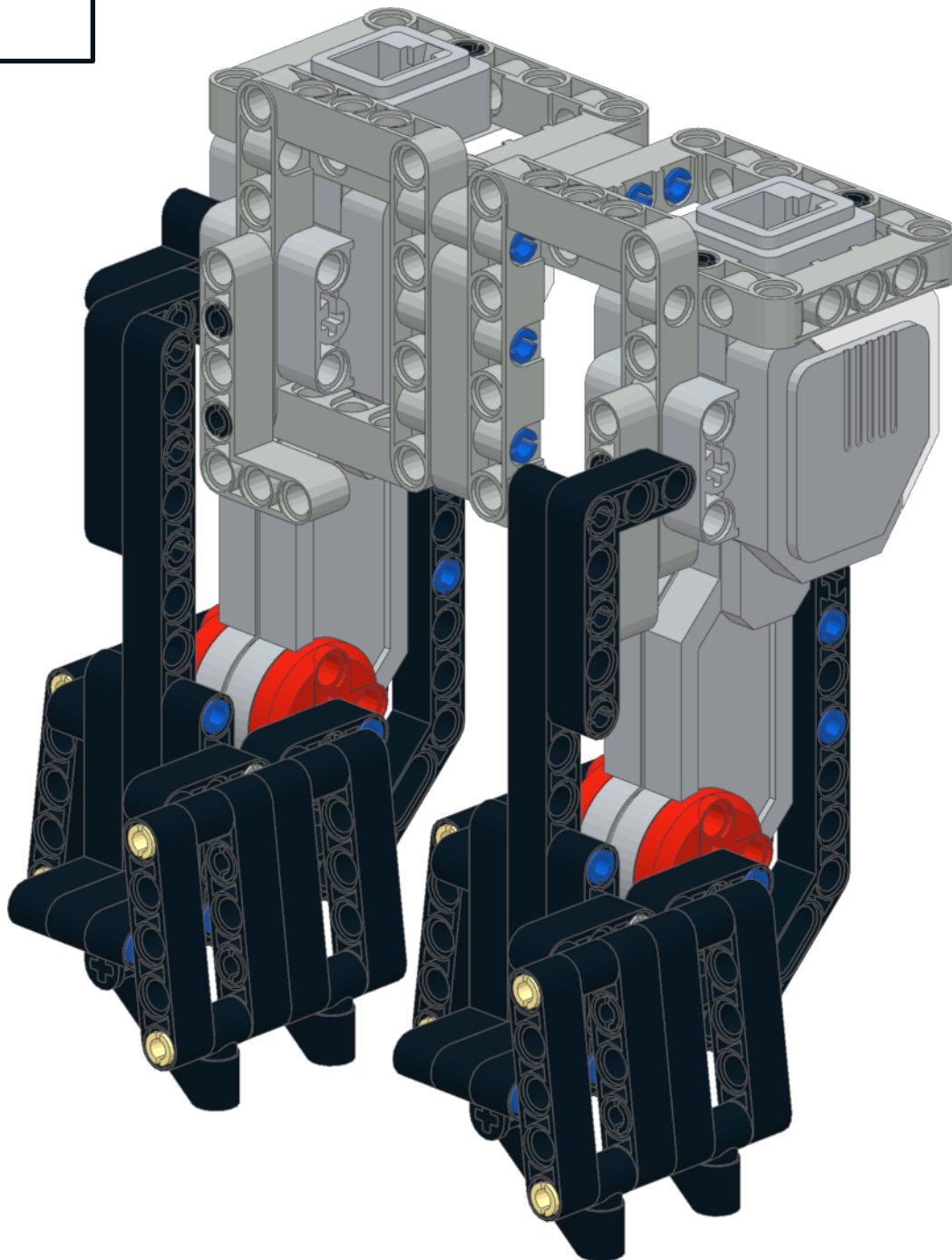
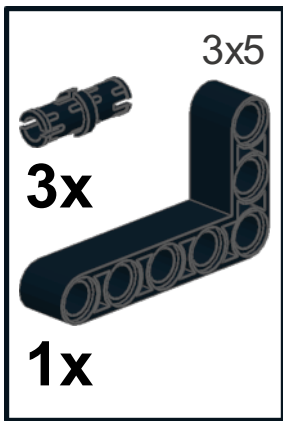
2x



6



7

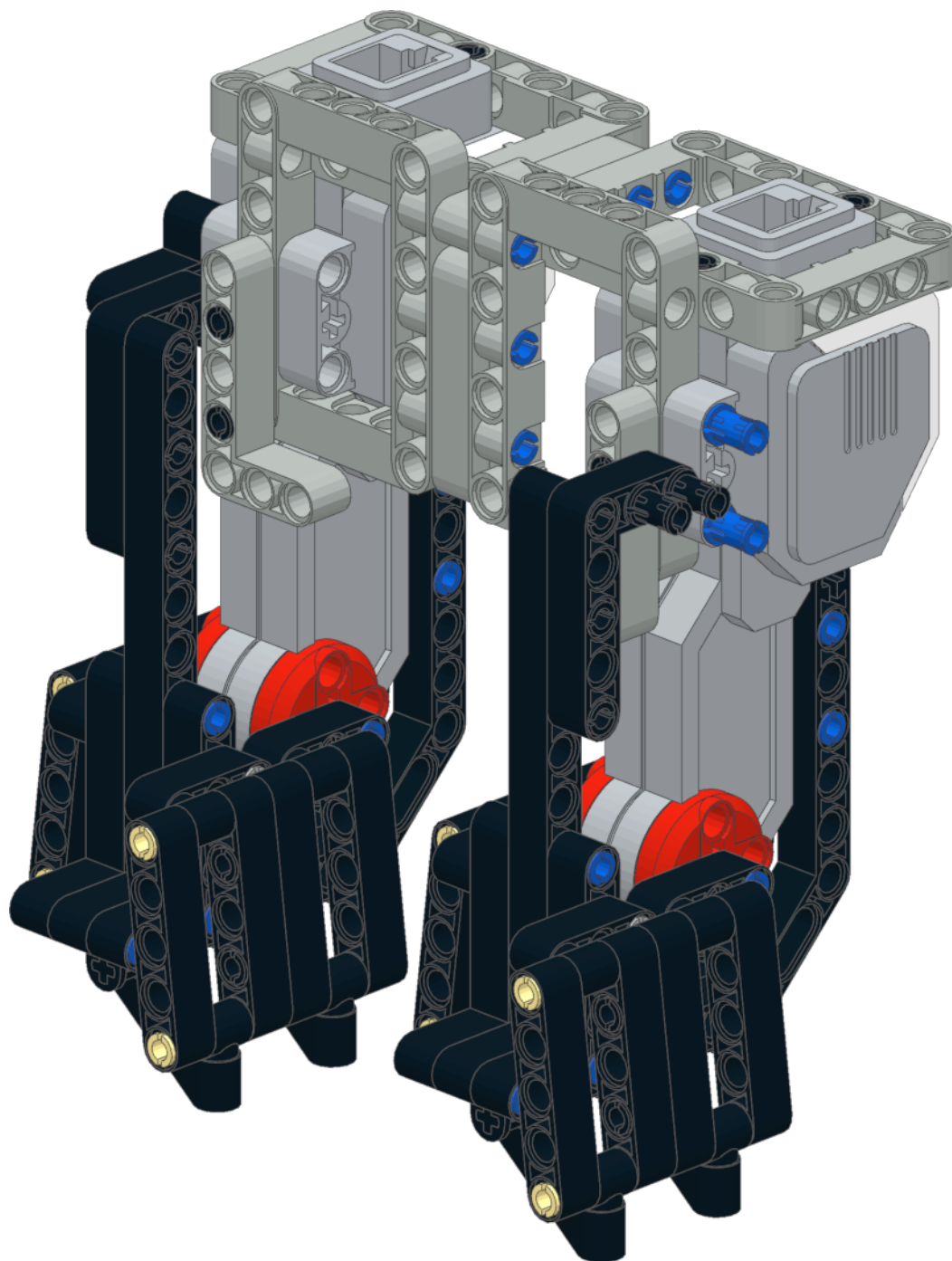


8

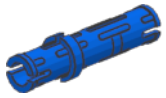


2x

2x

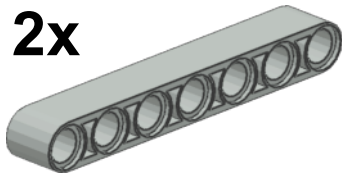


9



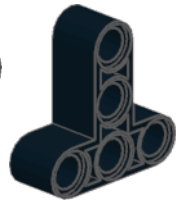
2x

7

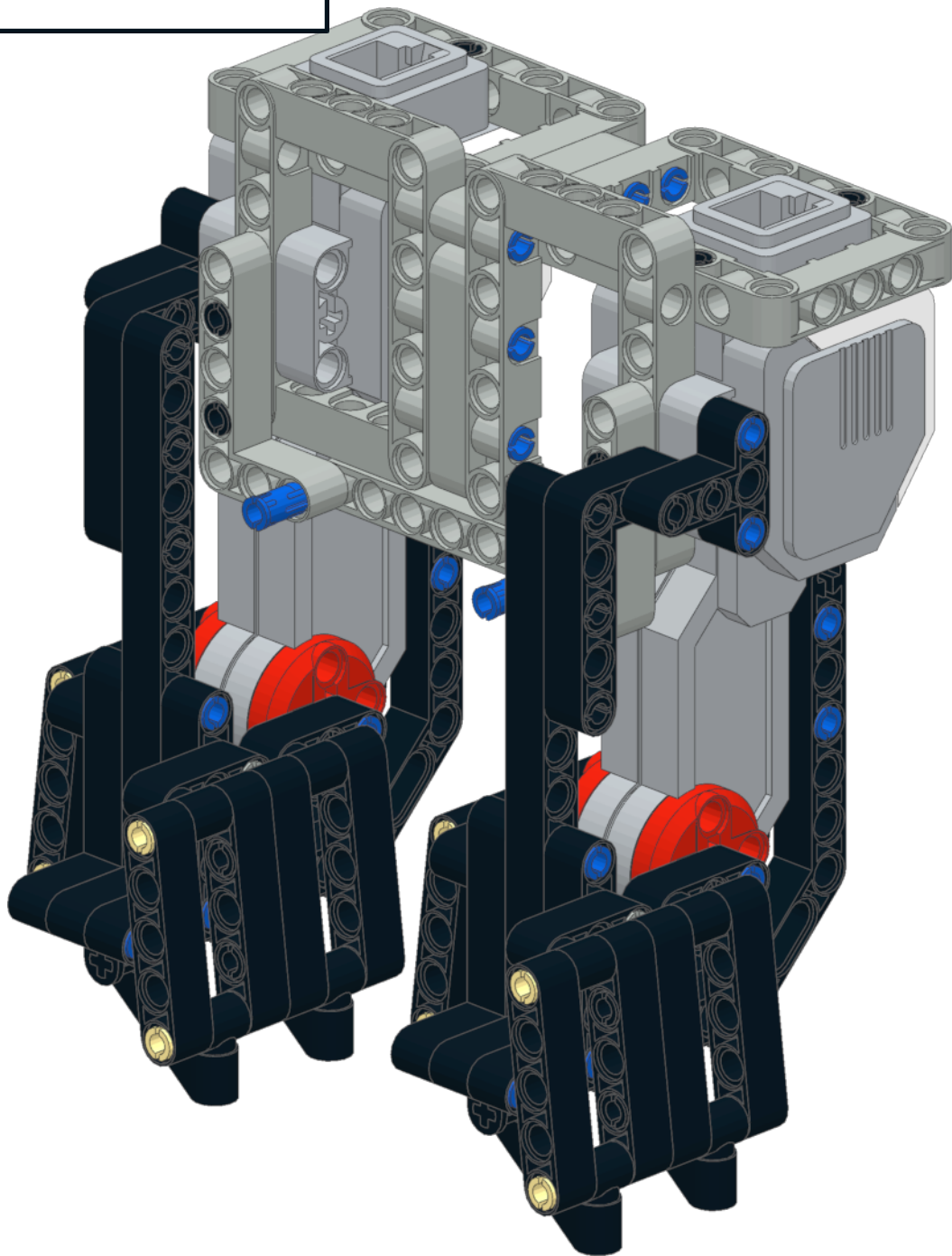


1x

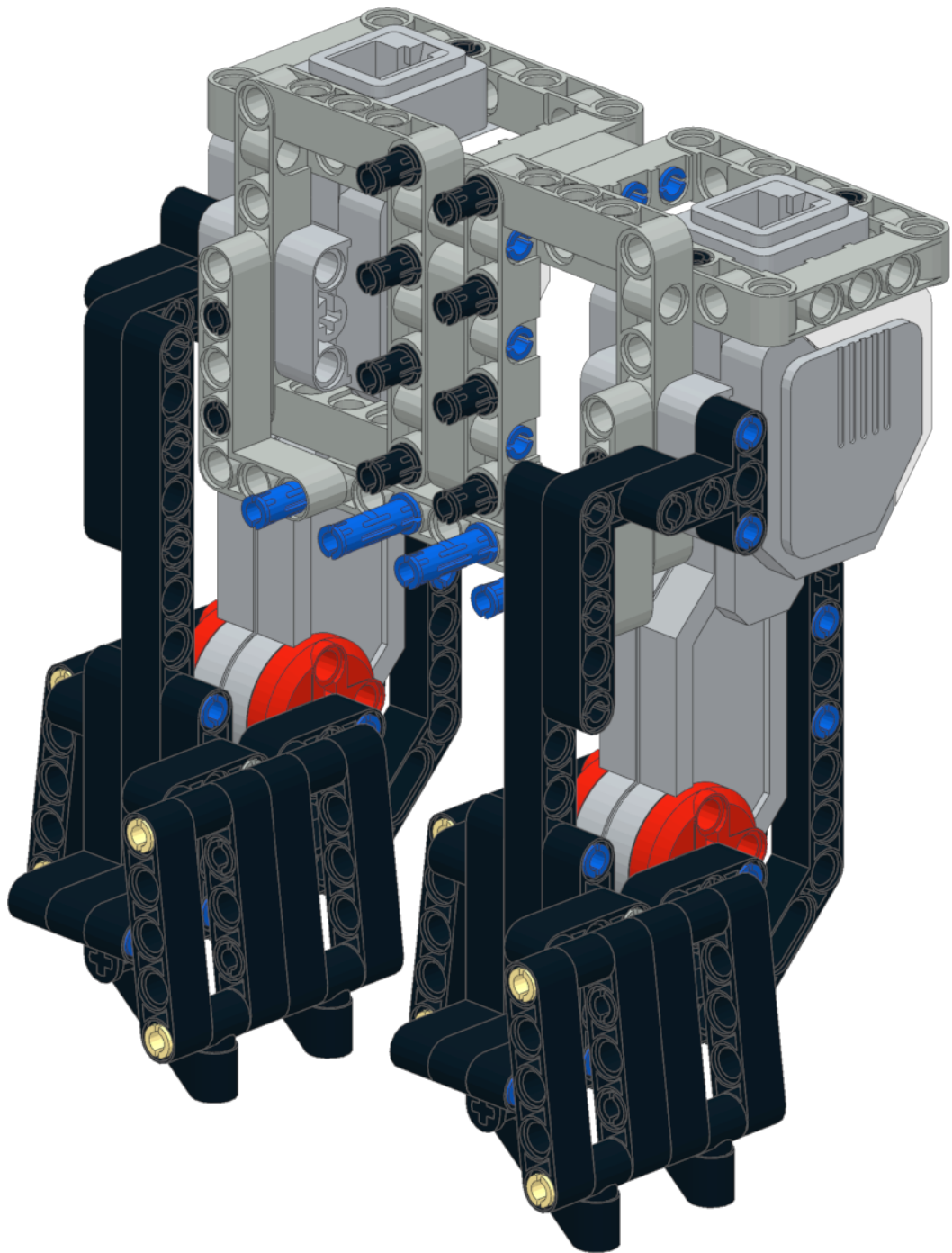
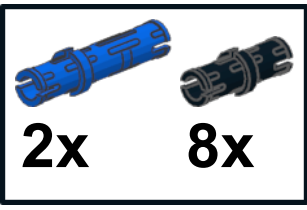
3x3



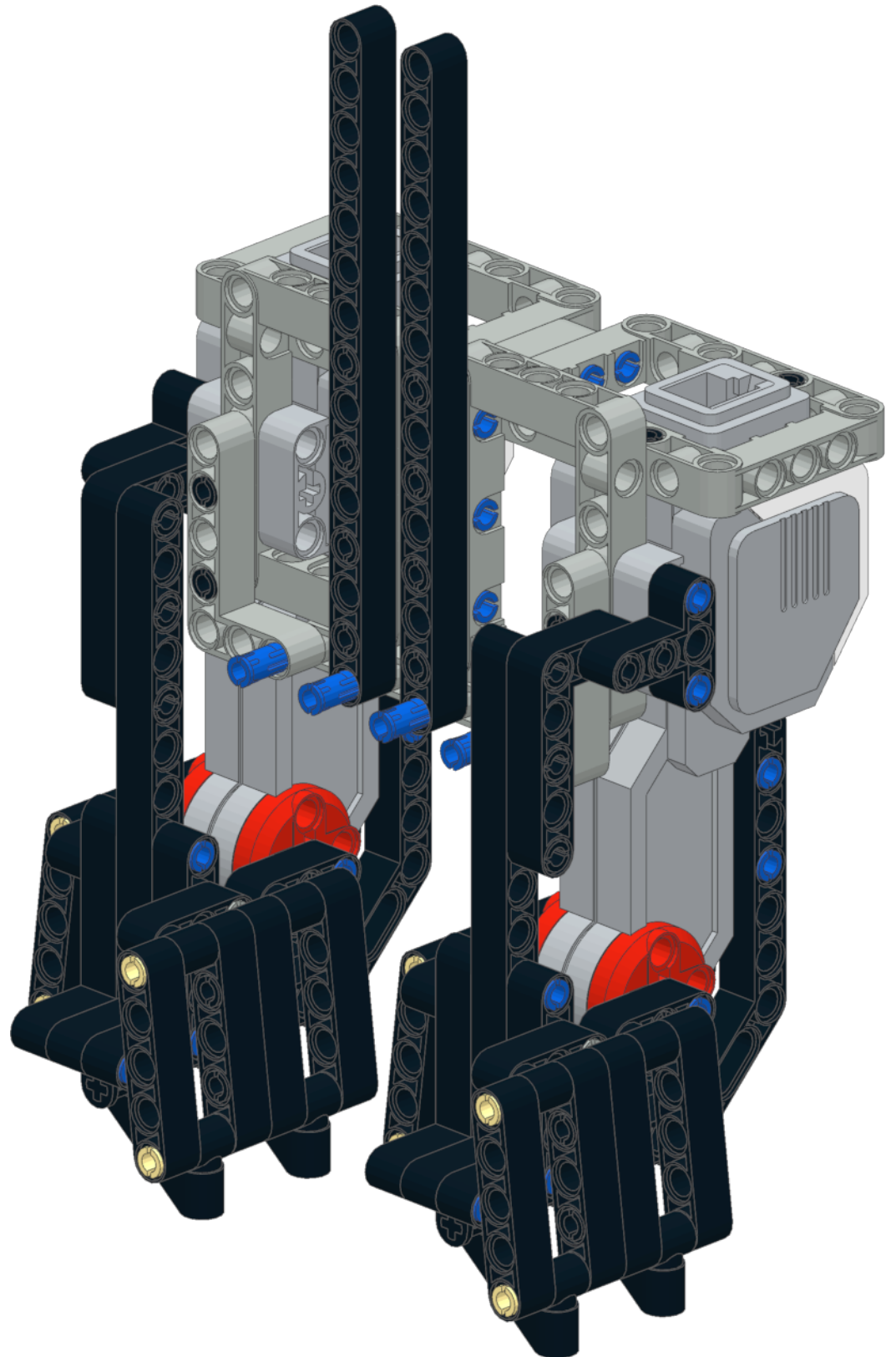
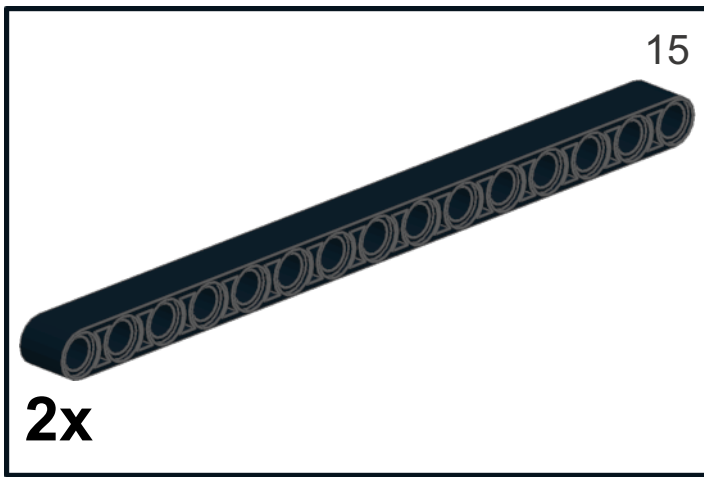
1x



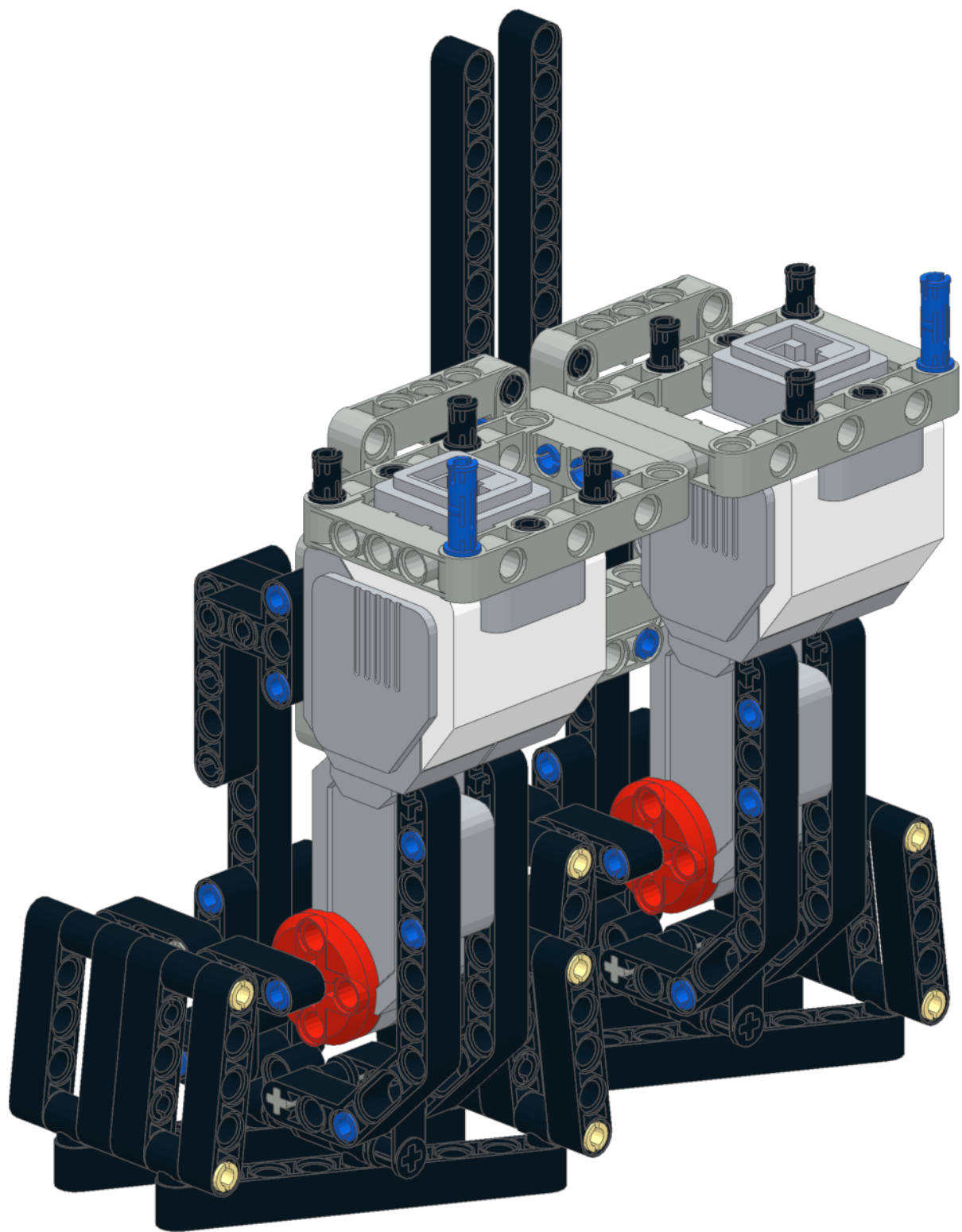
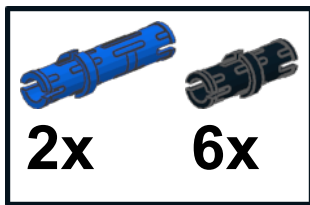
10



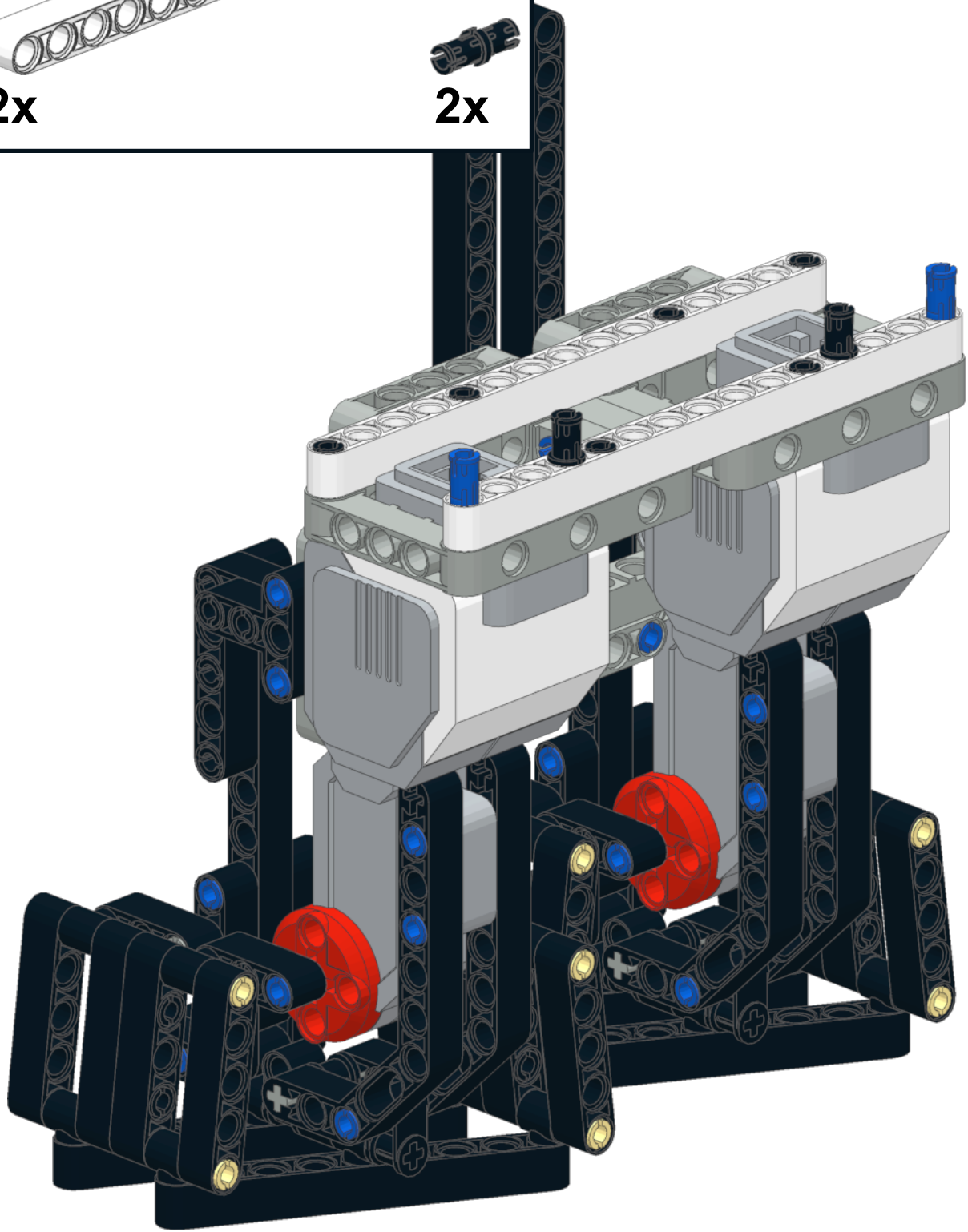
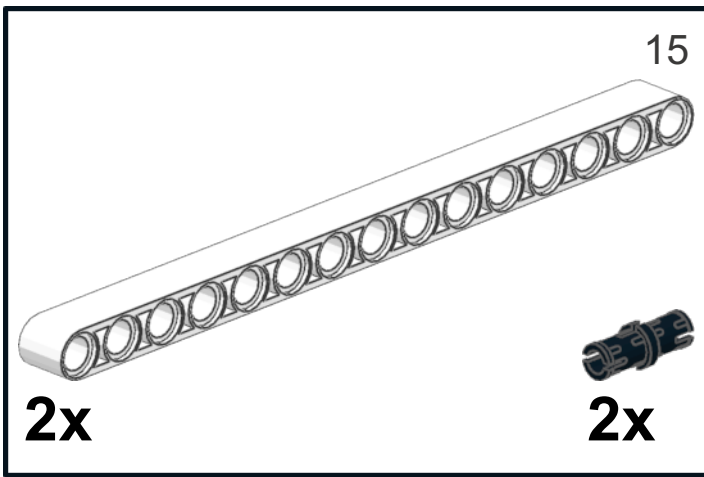
11



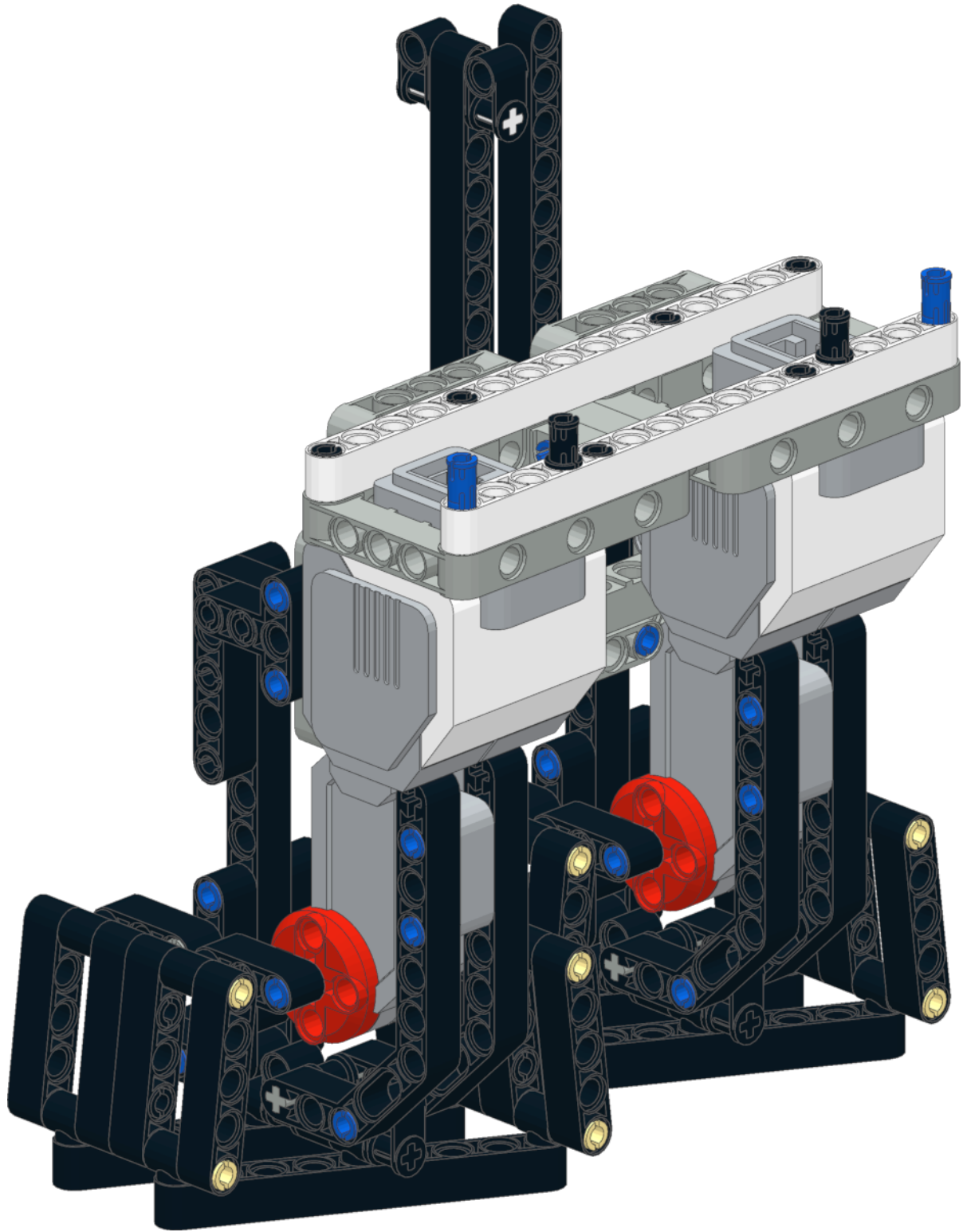
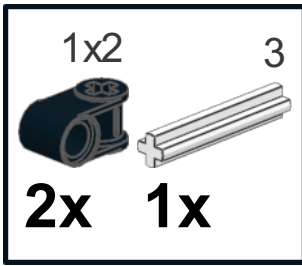
12



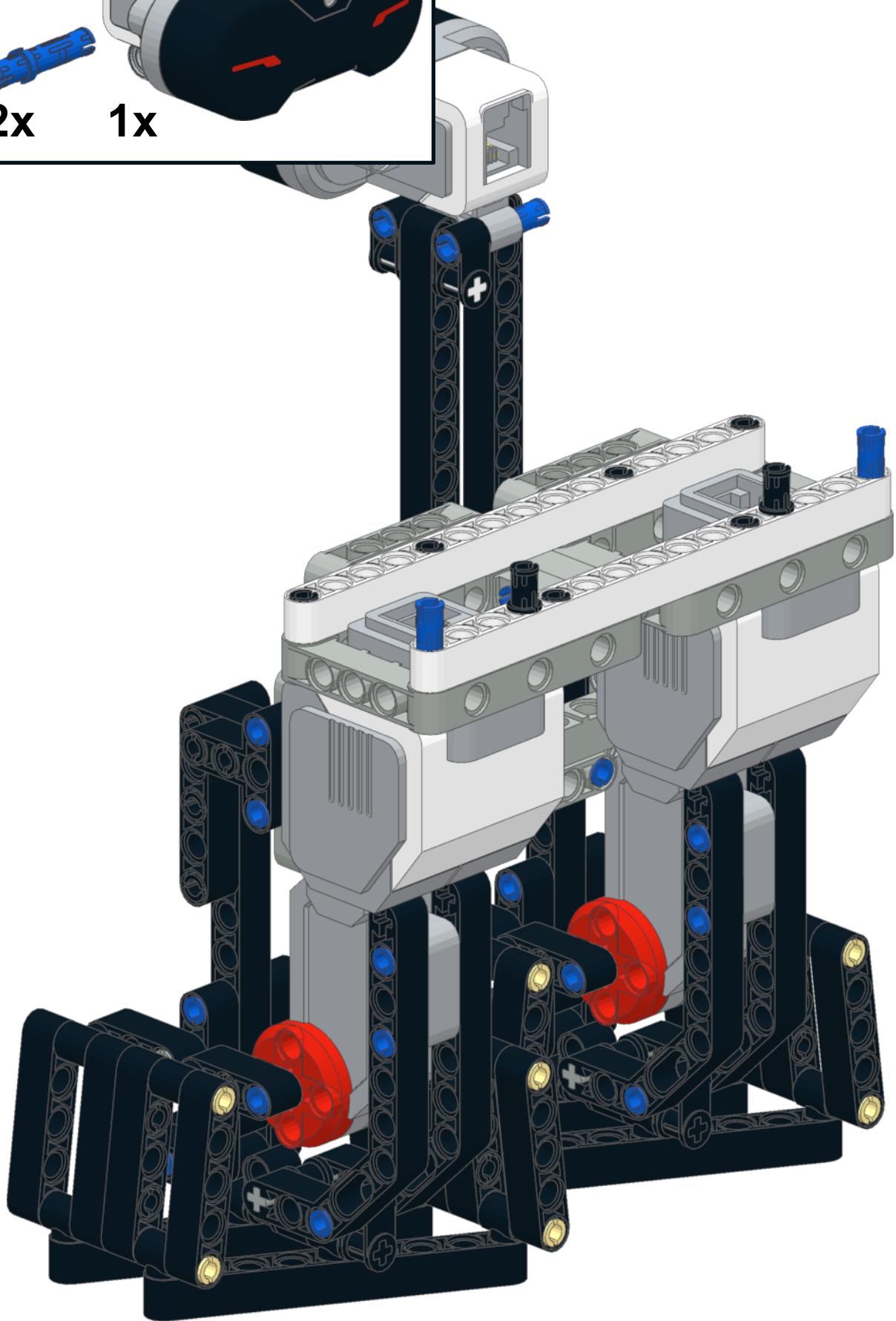
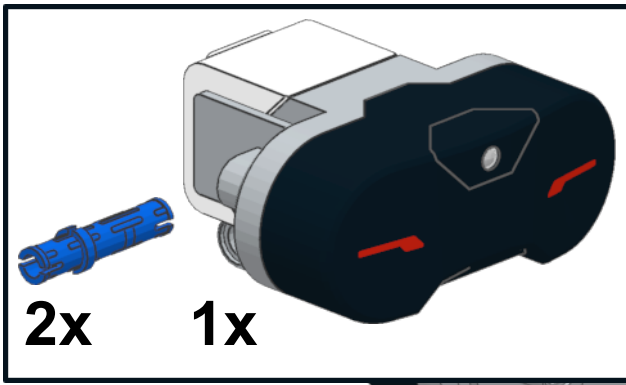
13



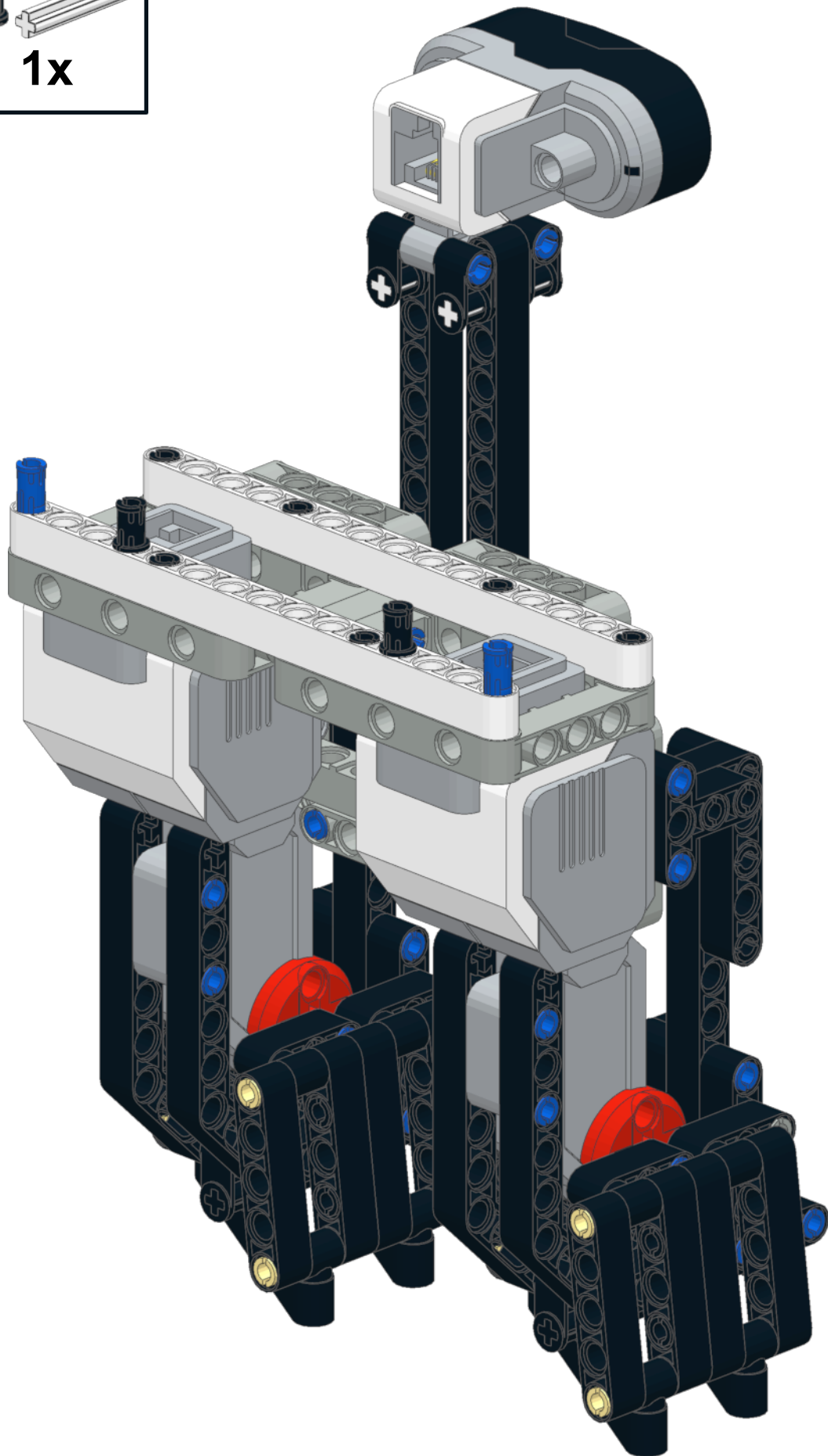
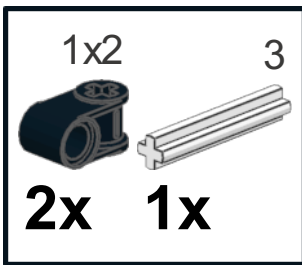
14

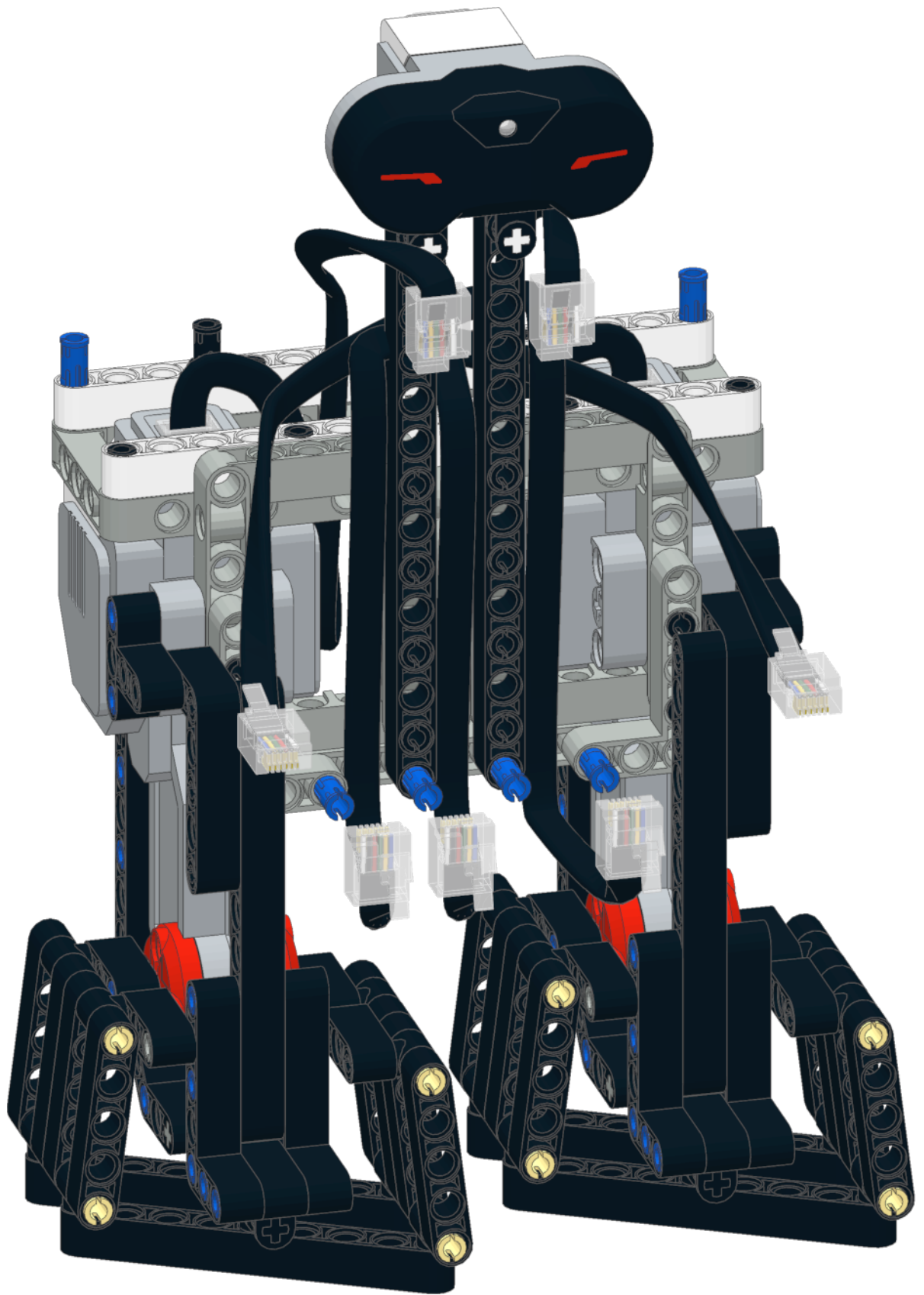


15

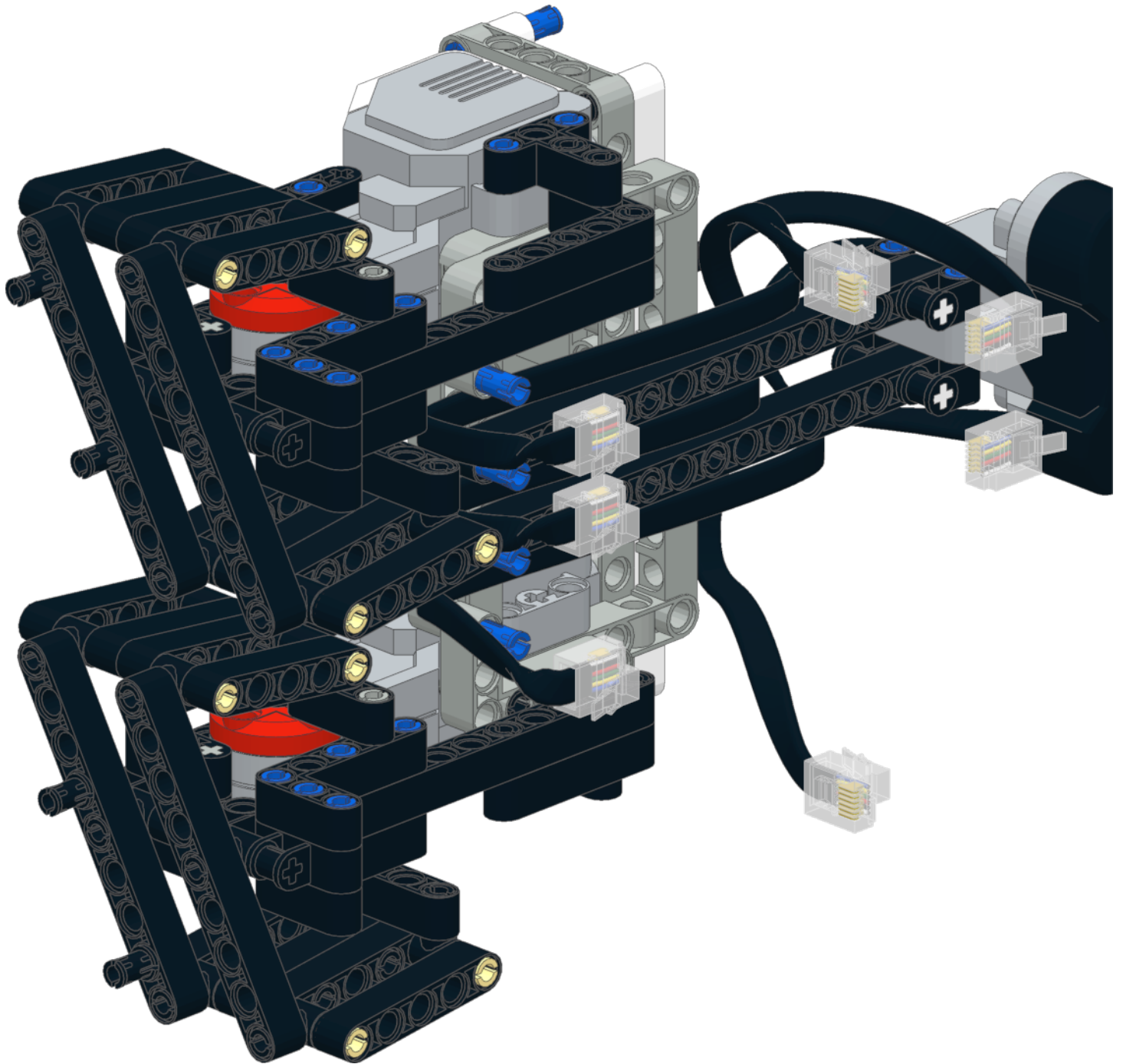


16





18



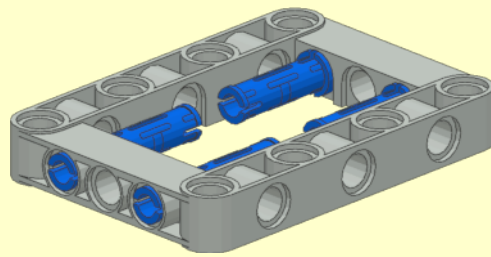
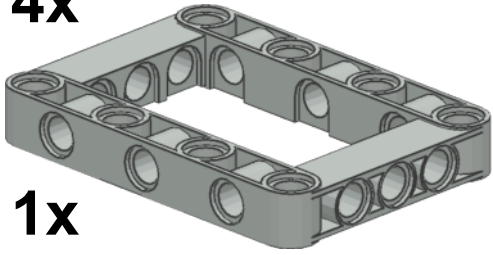
1



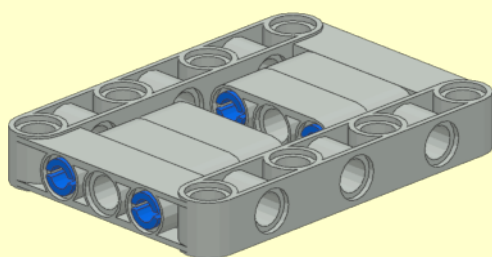
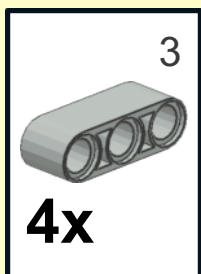
4x

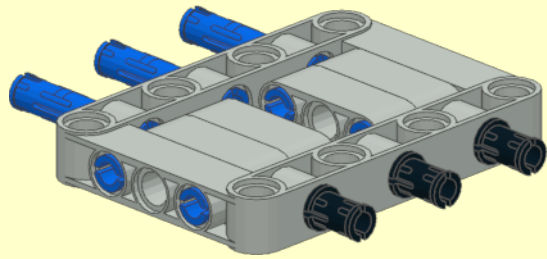
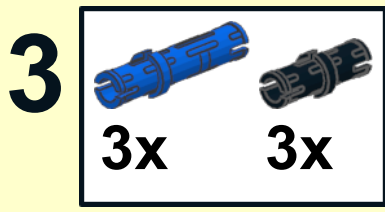
7x5

1x

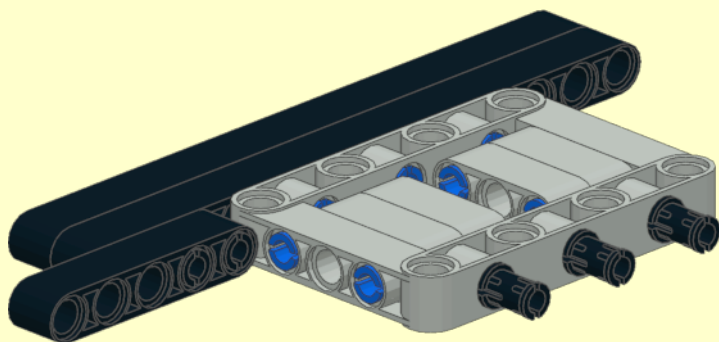
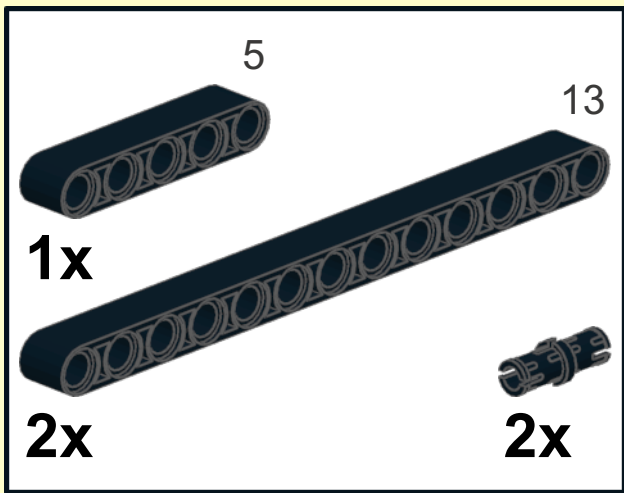


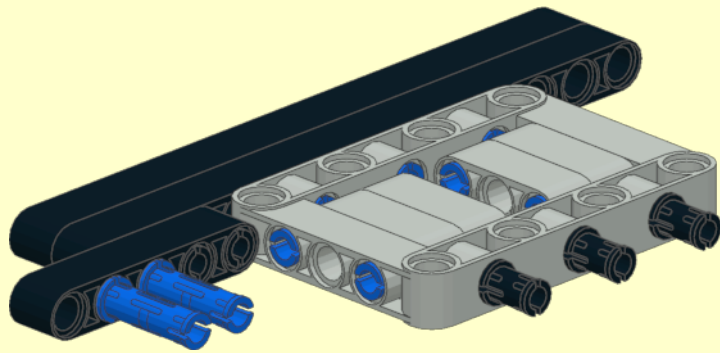
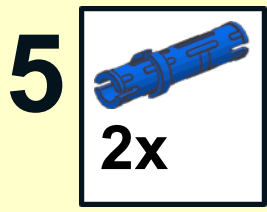
2



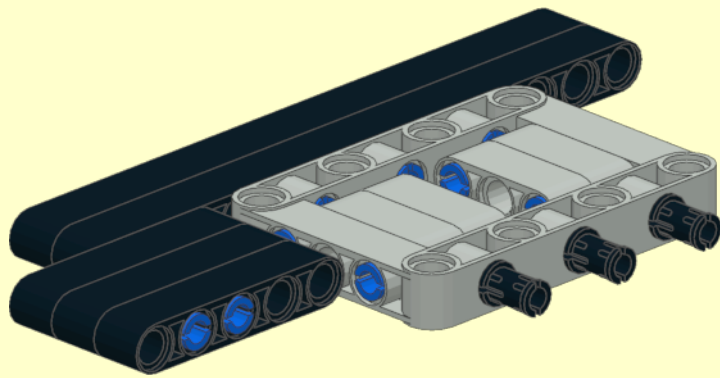
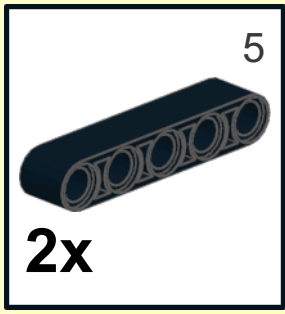


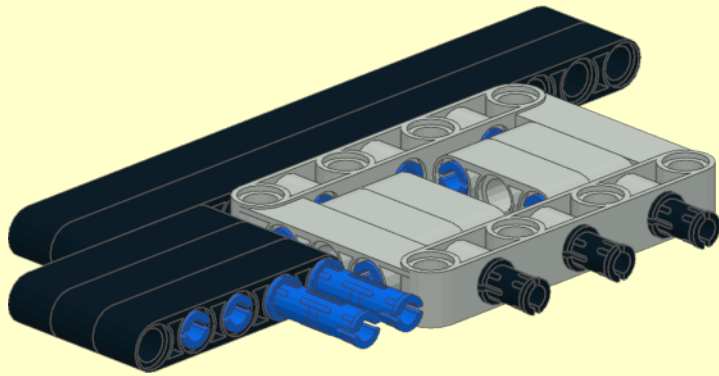
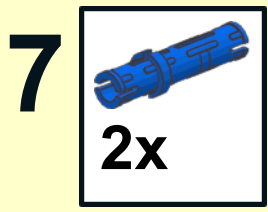
4



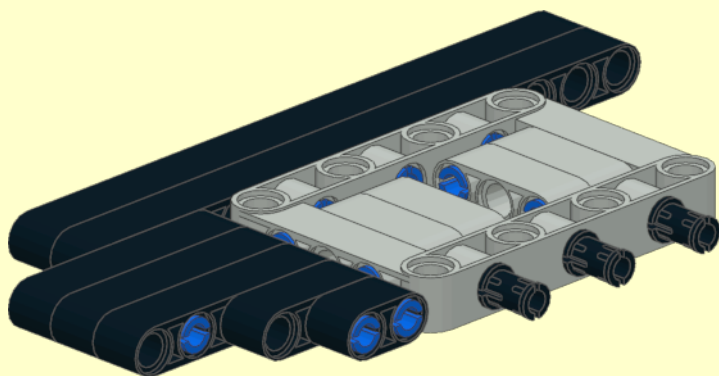


6

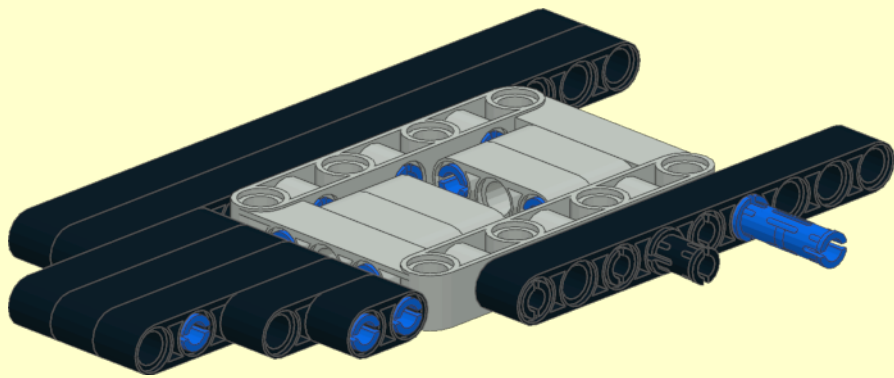
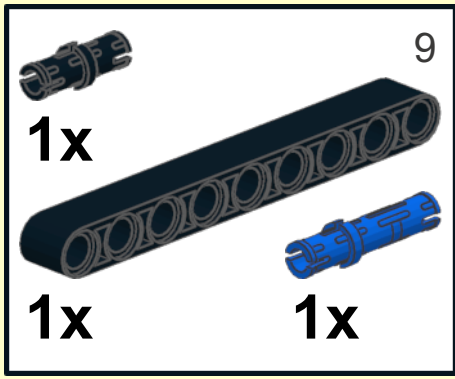




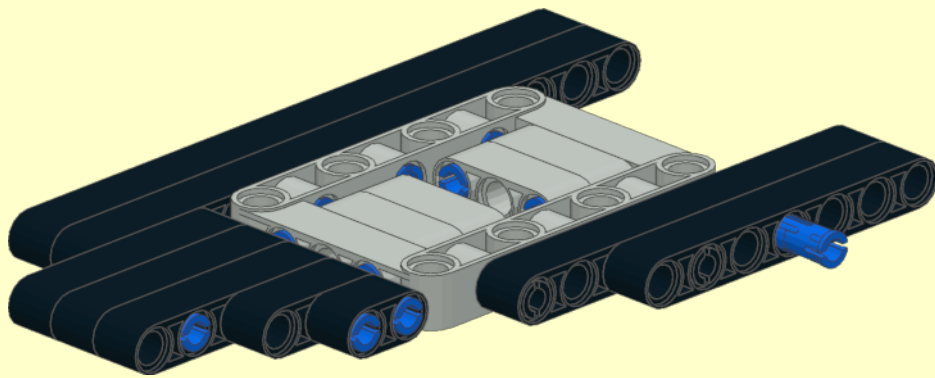
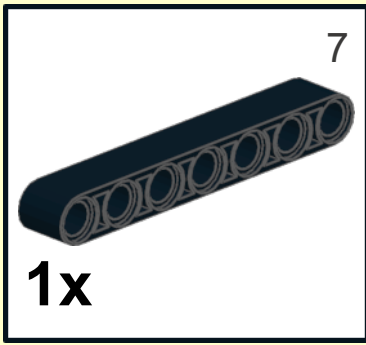
8



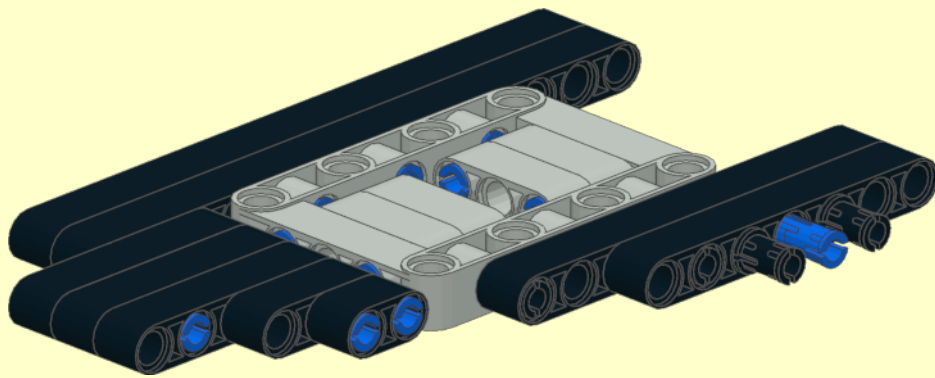
9



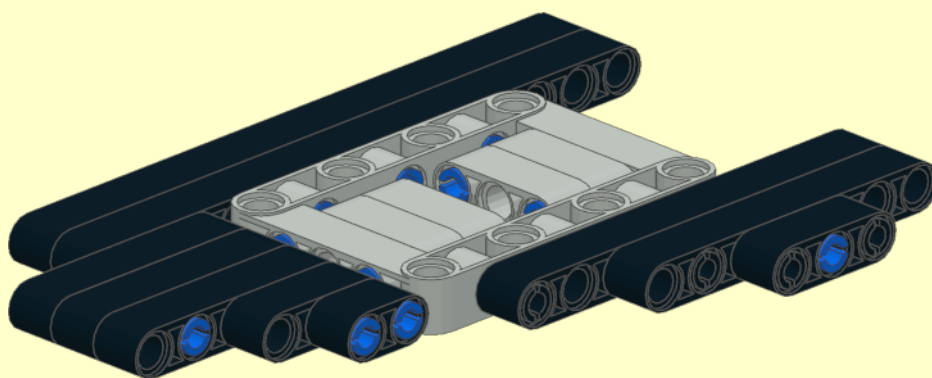
10



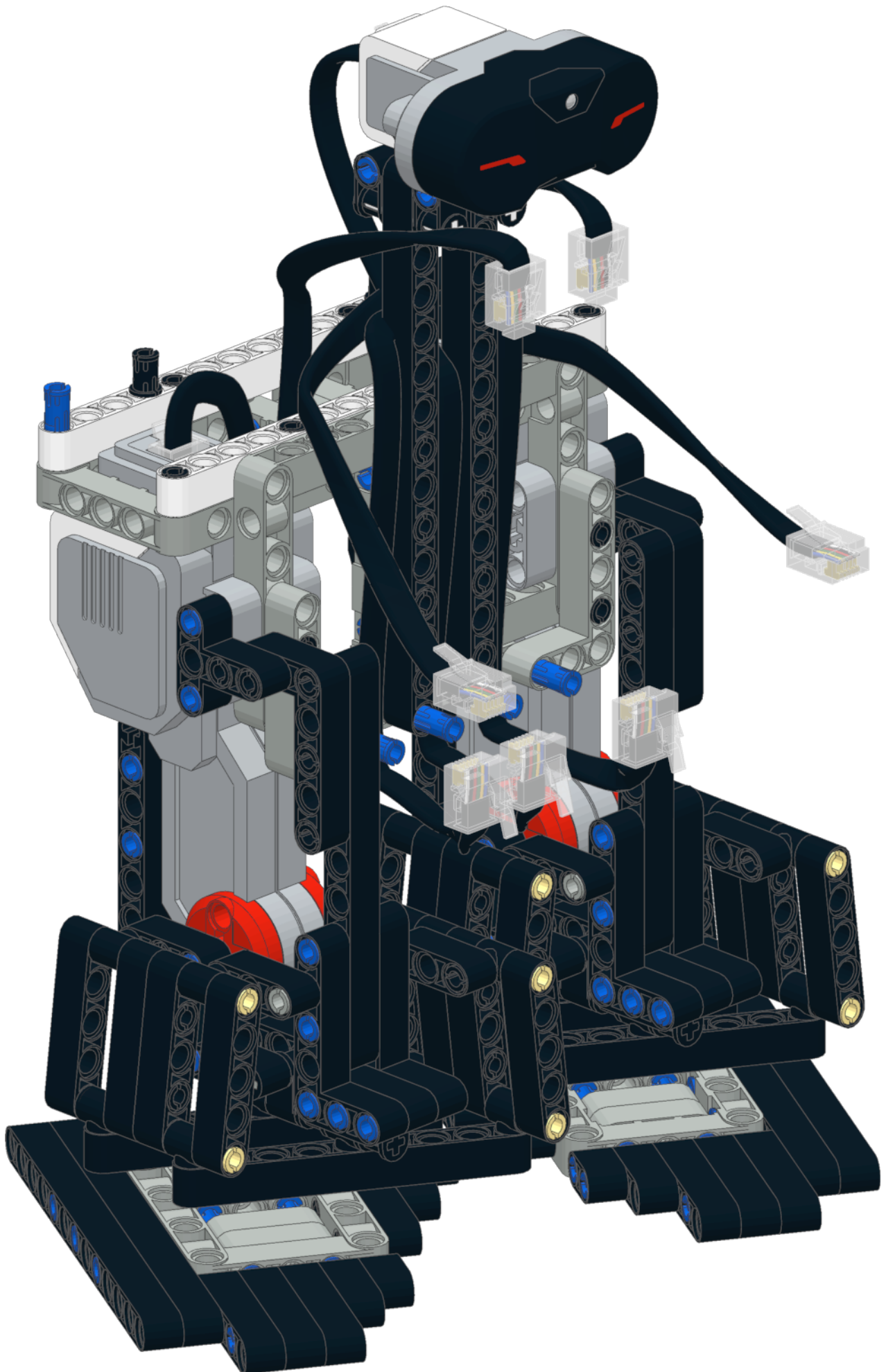
11



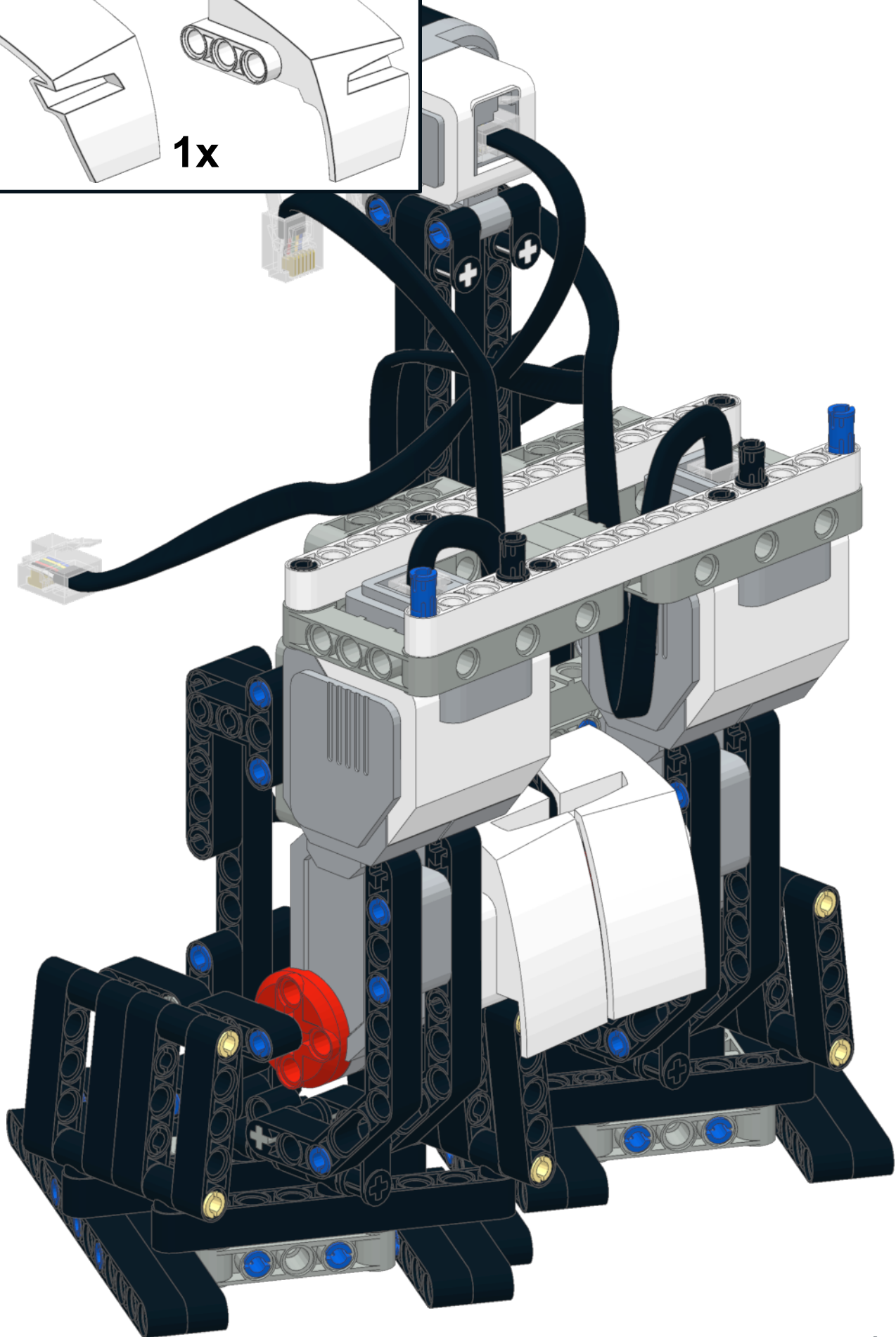
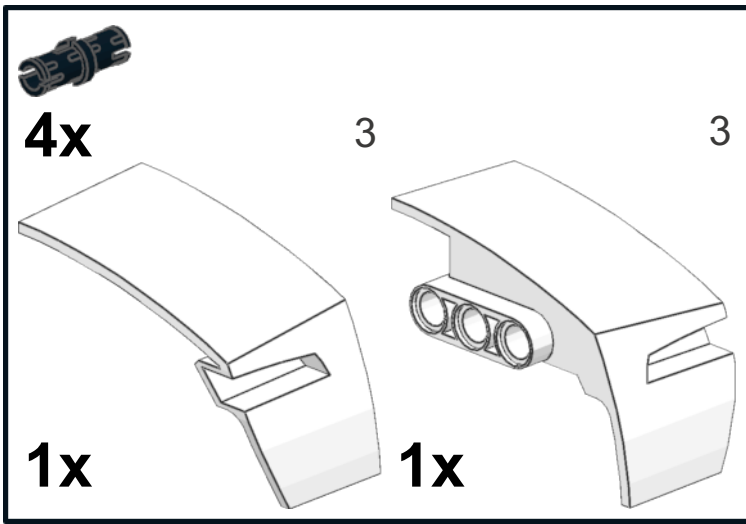
12



x2

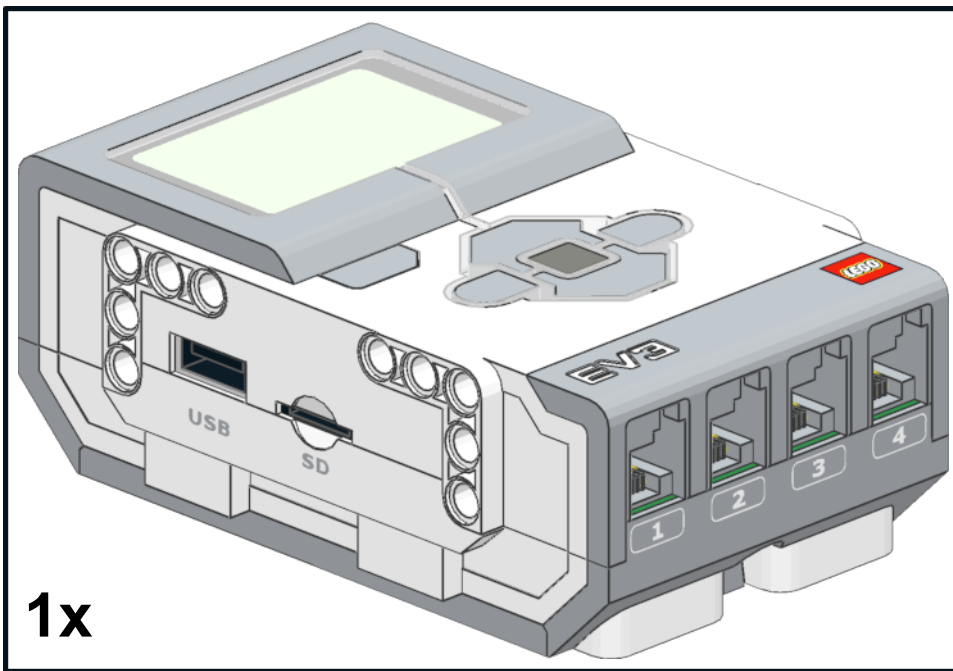


20

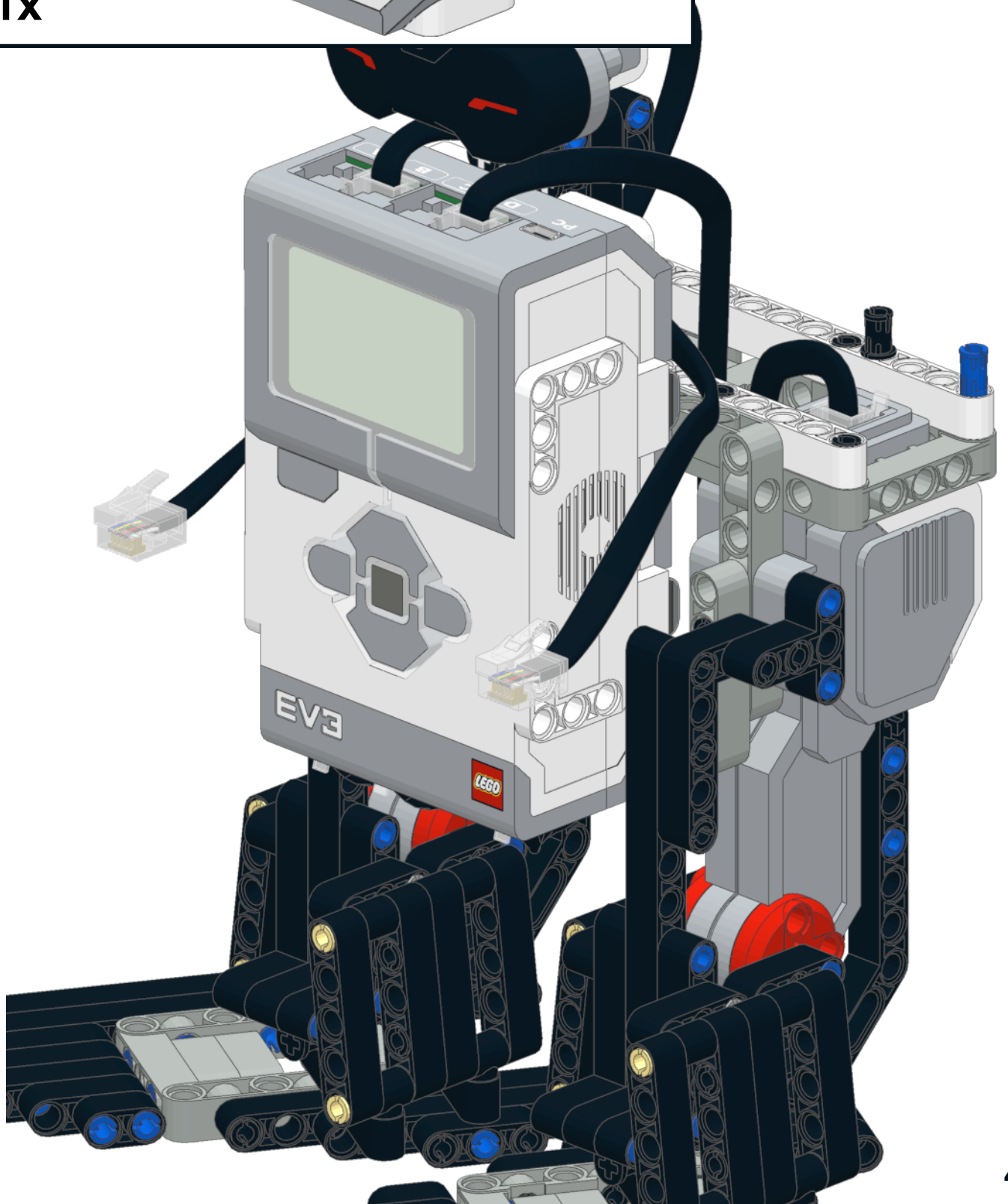


21

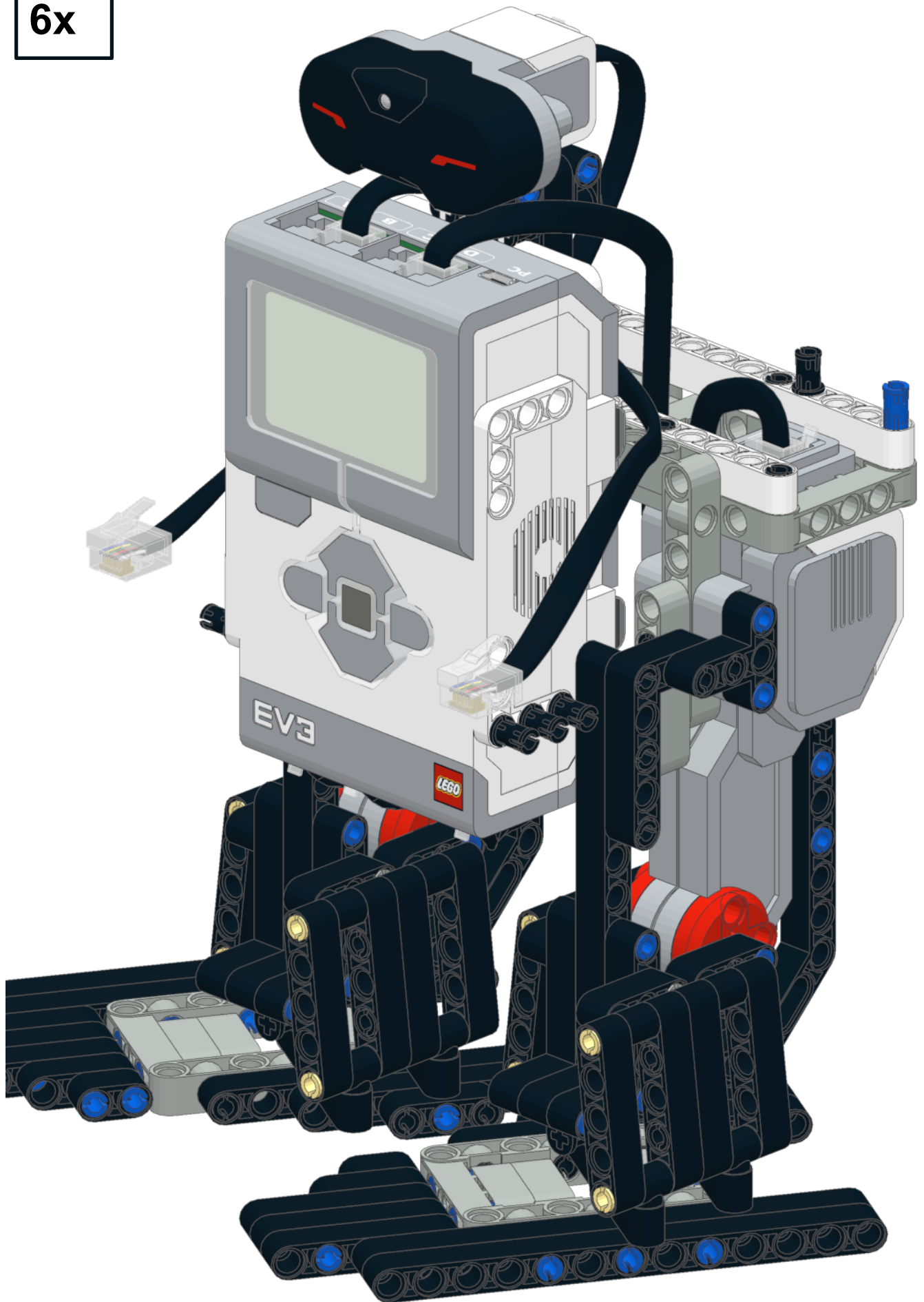




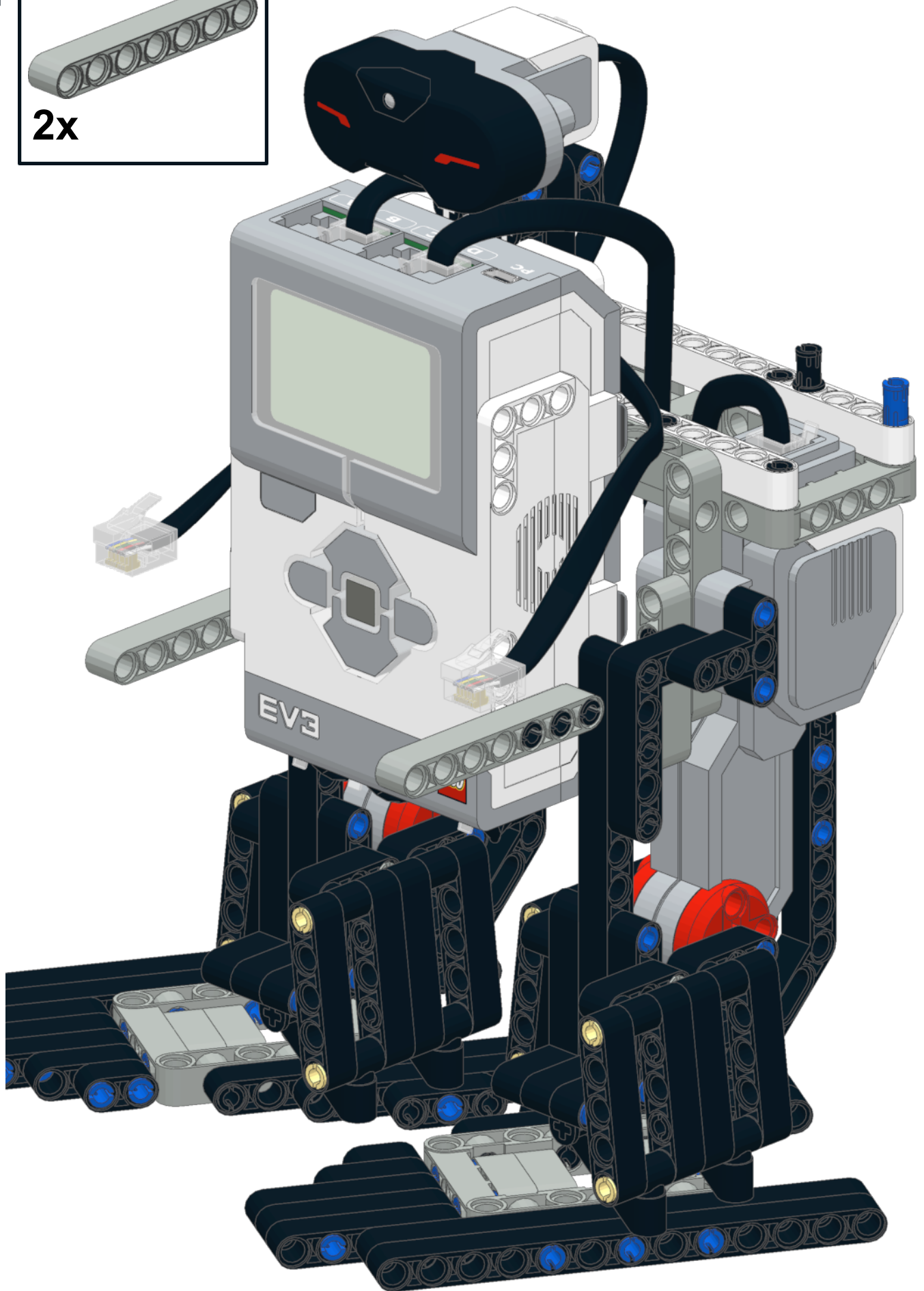
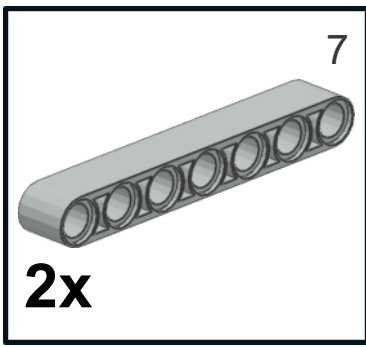
1x



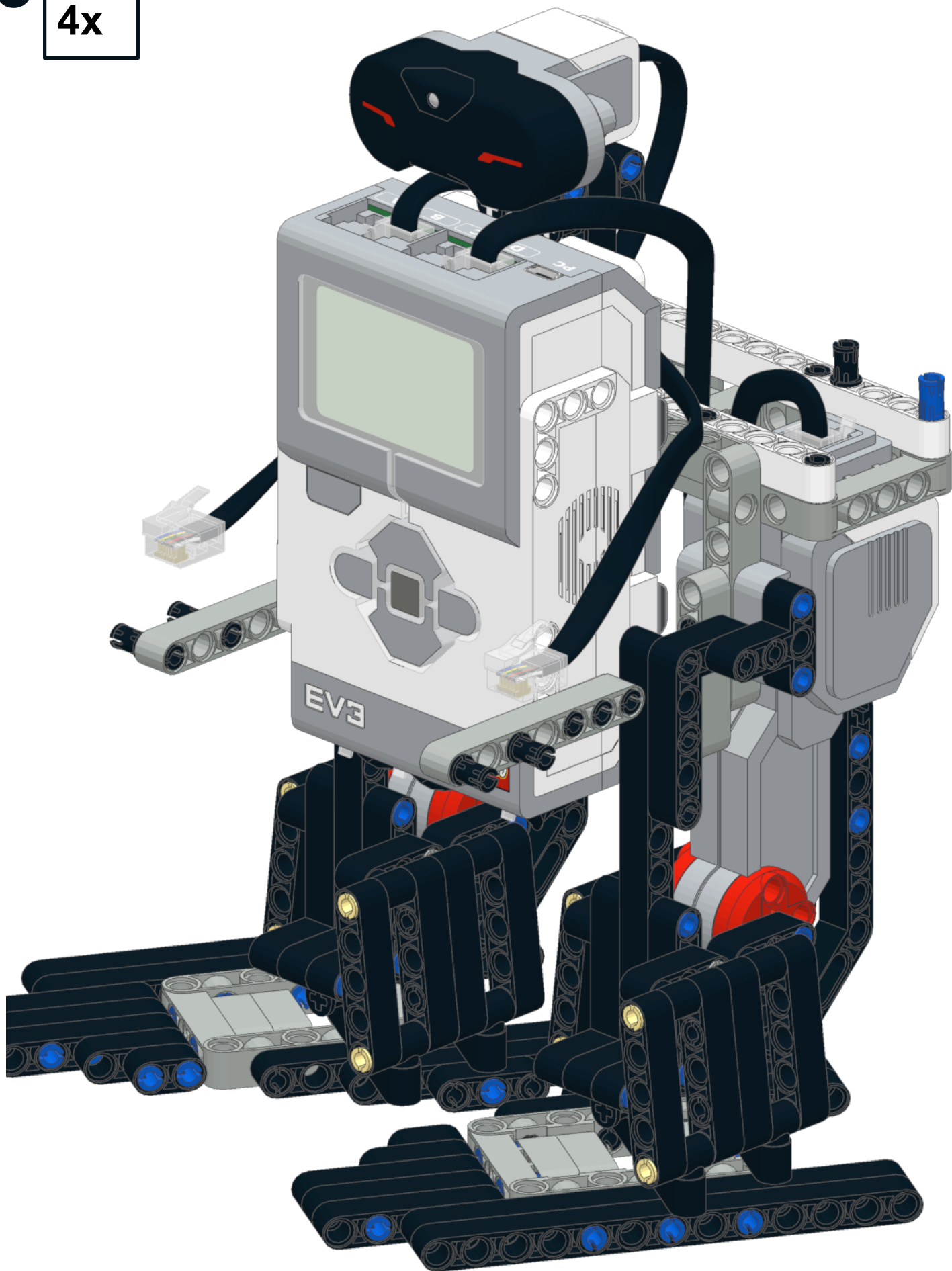
23



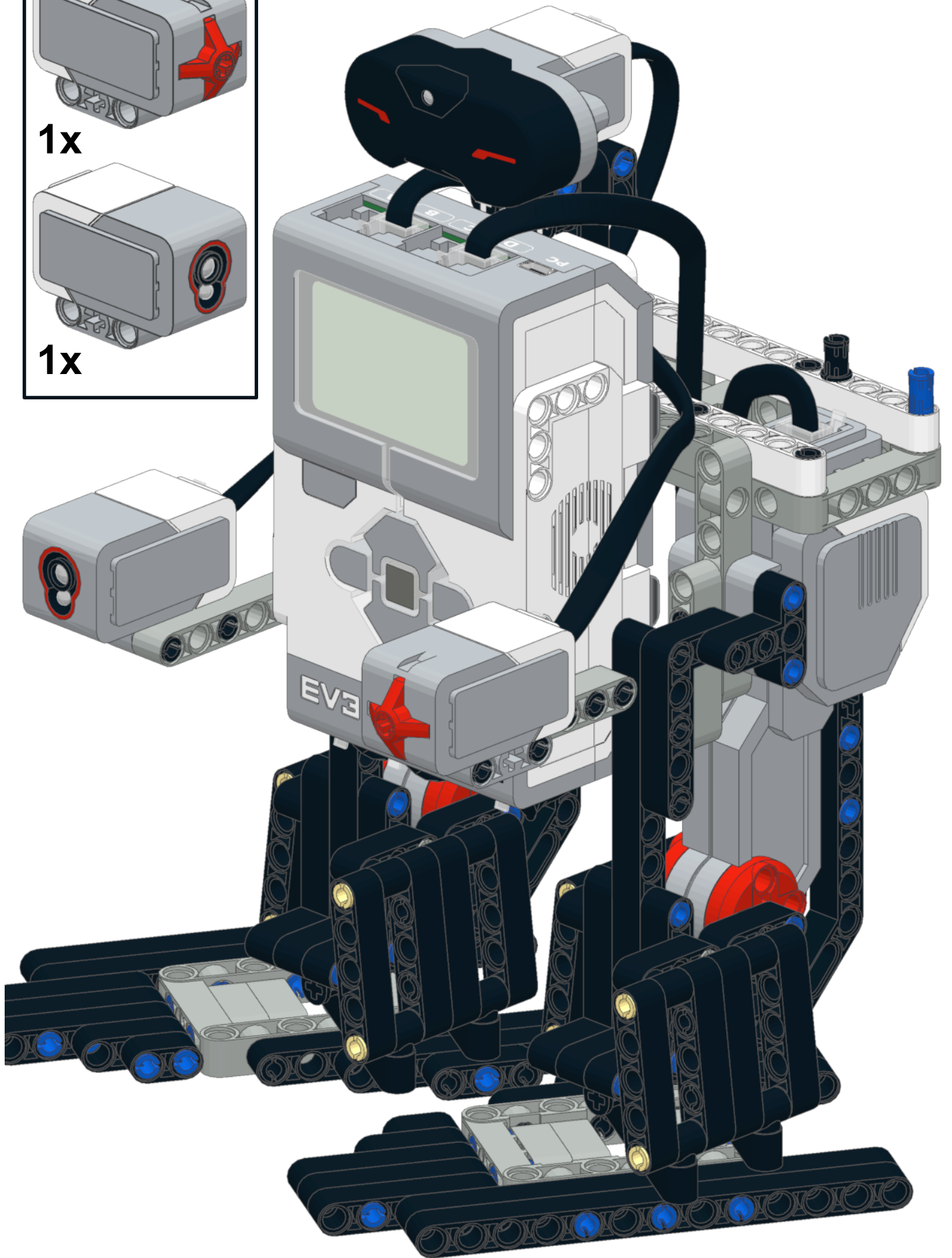
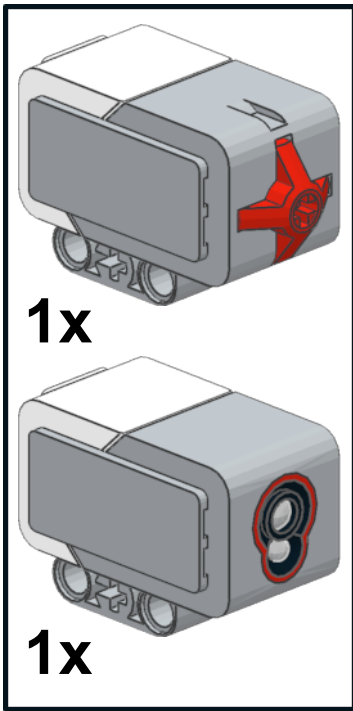
24




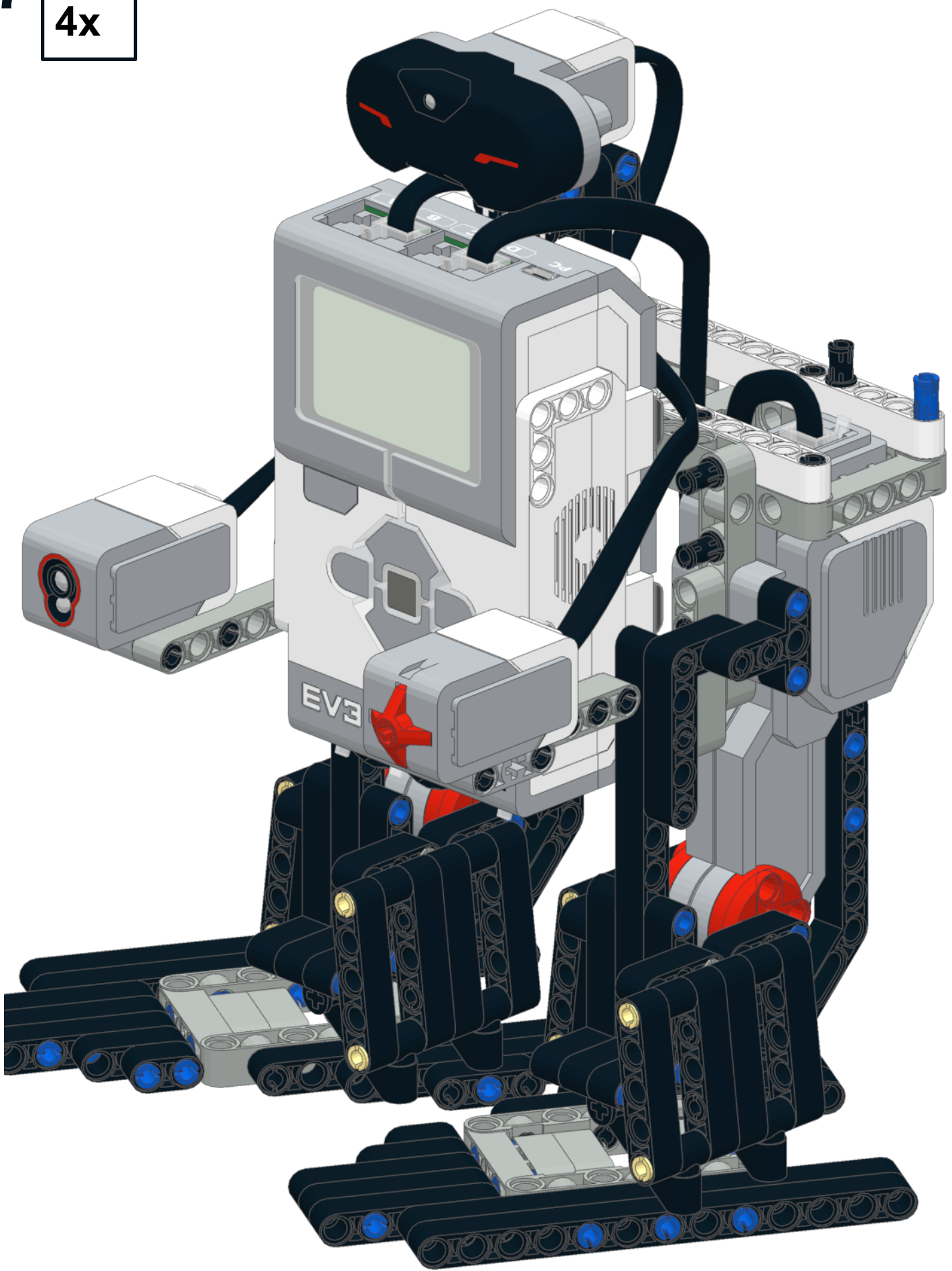
25

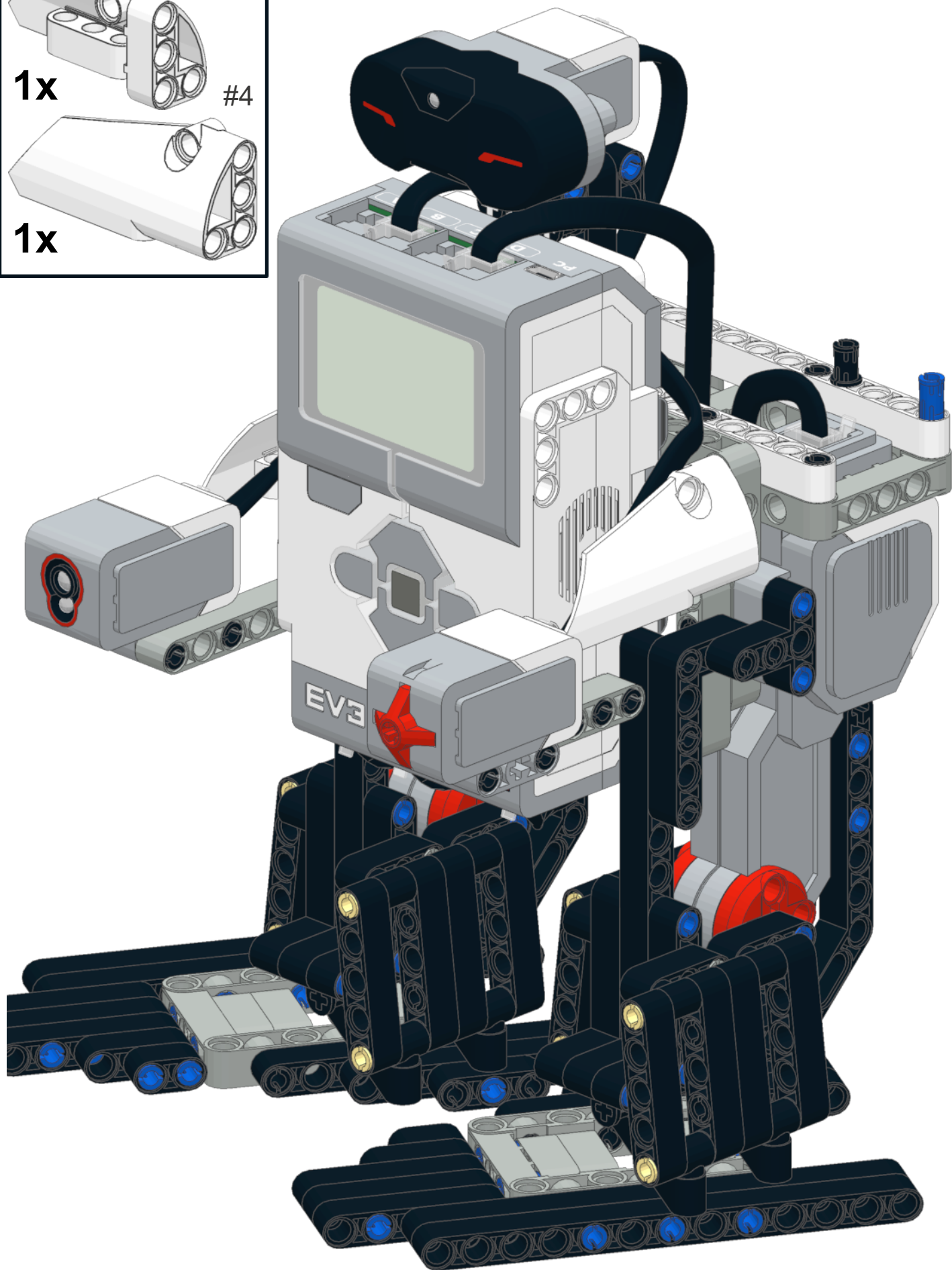
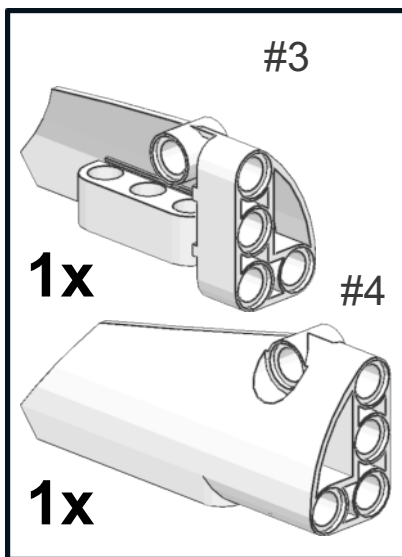


26

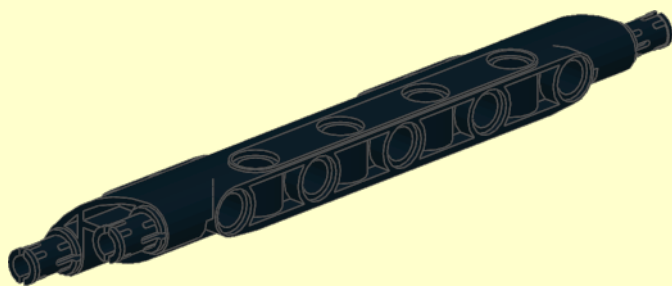
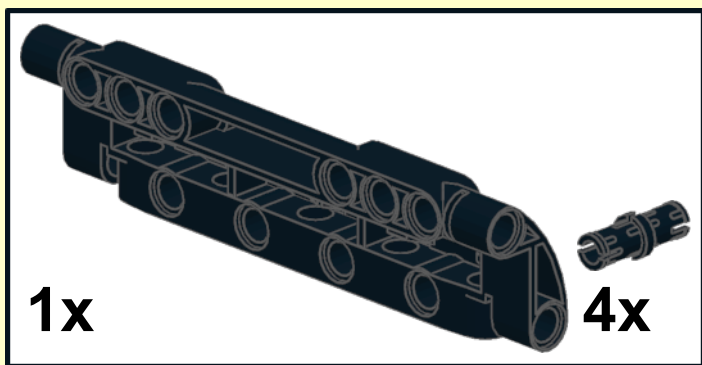


27 
4x

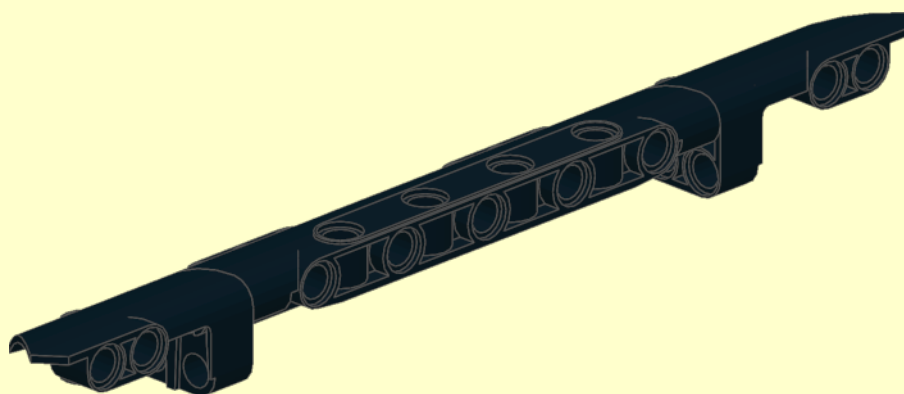
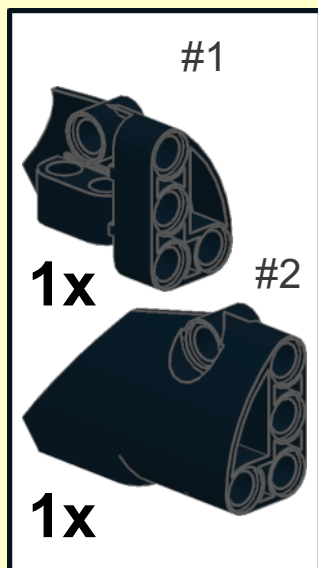




1



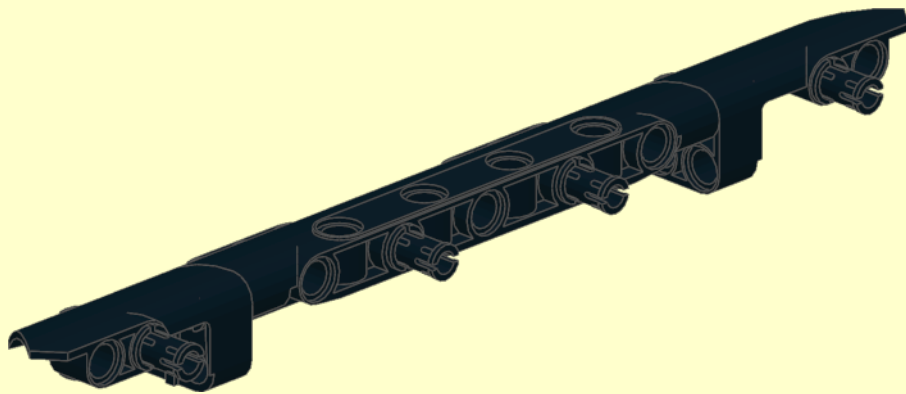
2



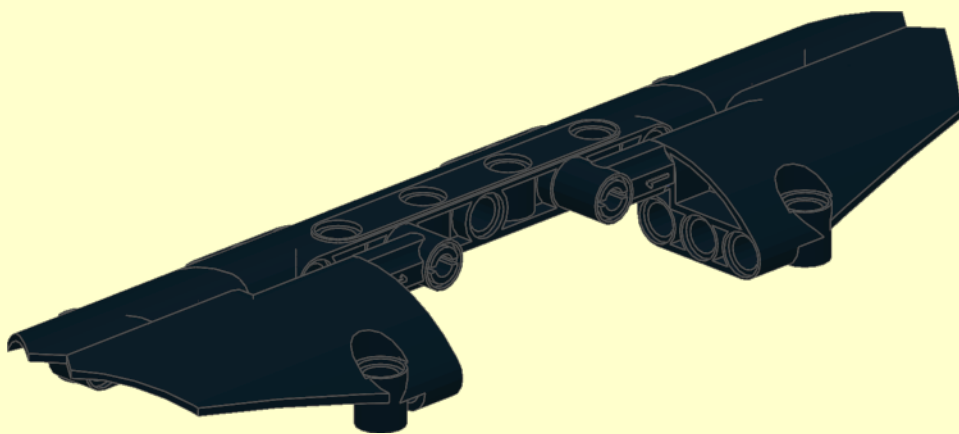
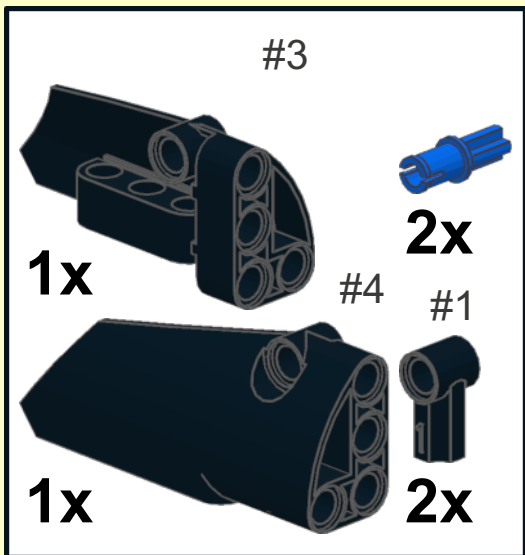
3



4x



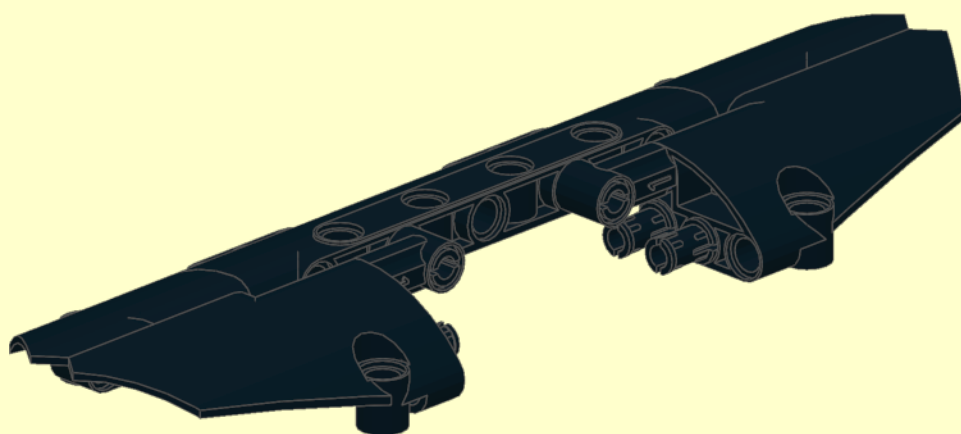
4



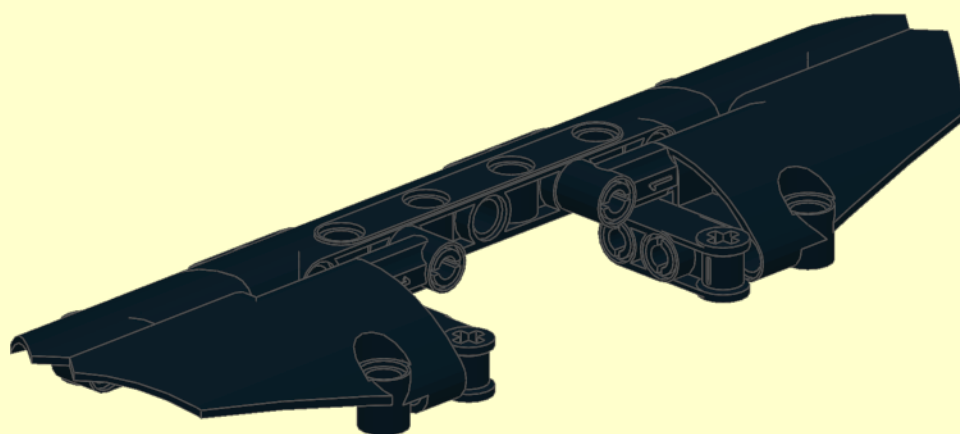
5

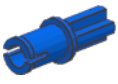


4x



6



7 
2x

