

BIG BIRD

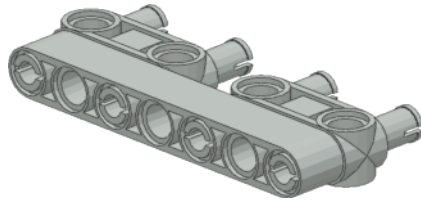
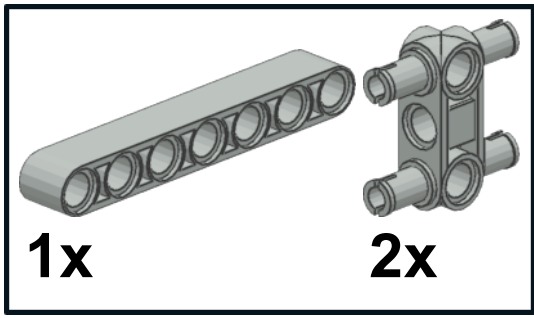
by Stu Nicholls

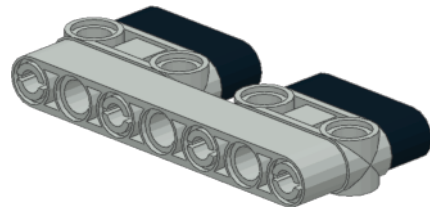
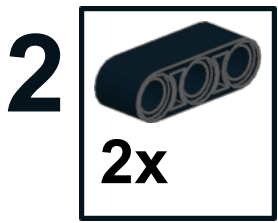
<http://www.stunicholls.com>

Compact autonomous biped walker




1

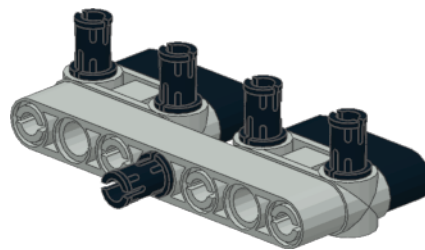




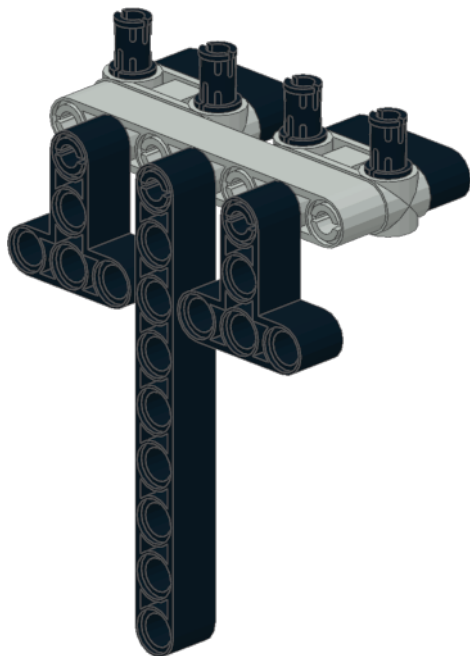
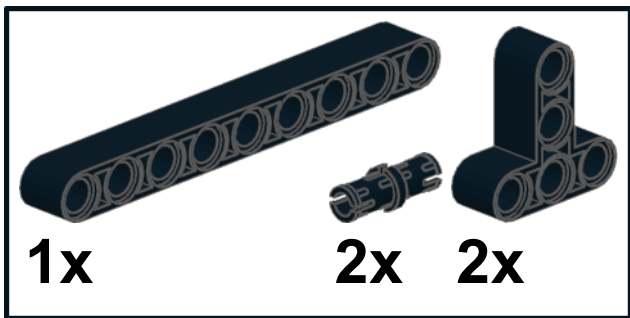
3



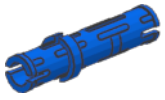
5x



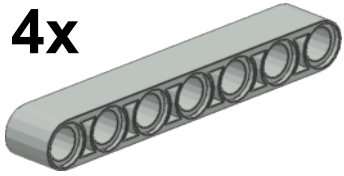
4



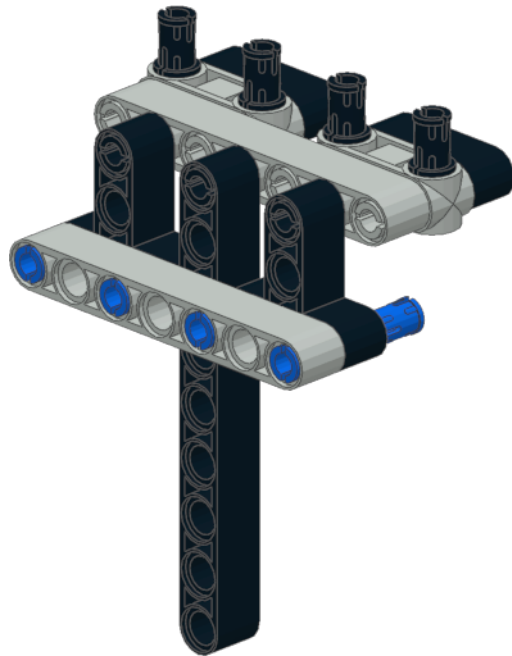
5

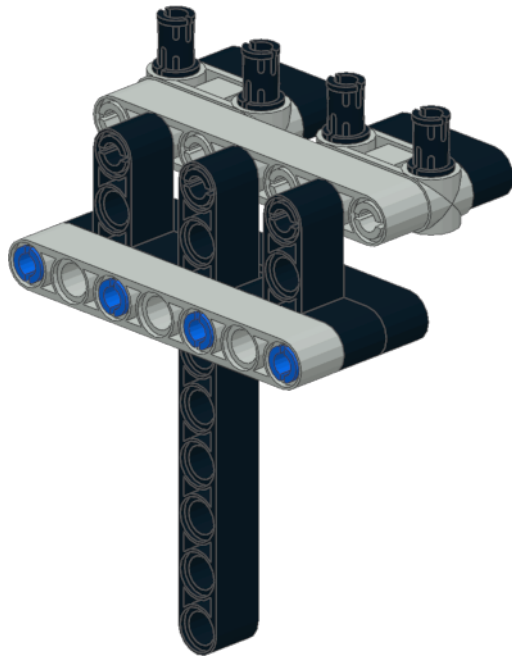
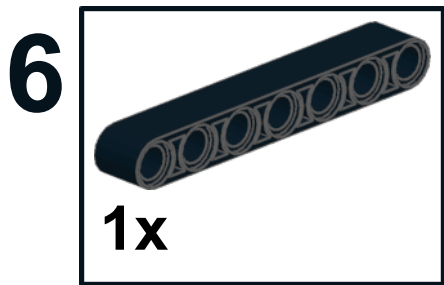


4x



1x

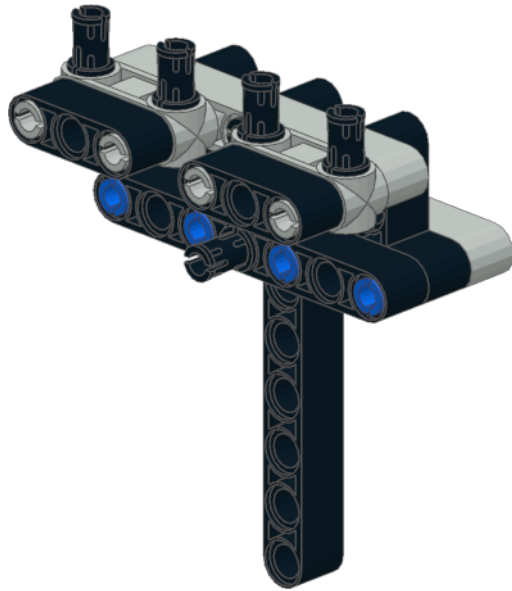


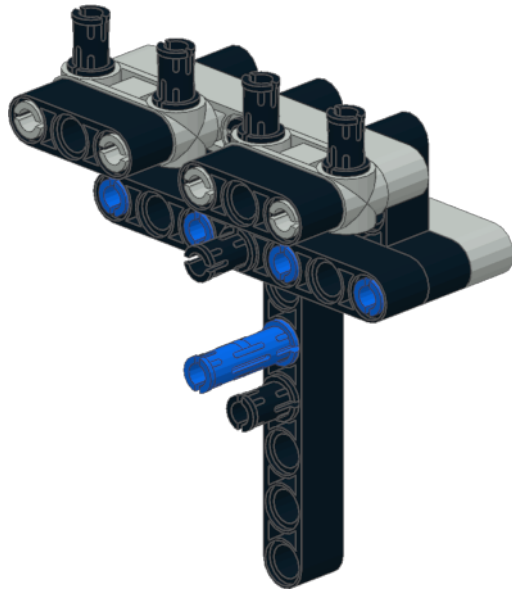
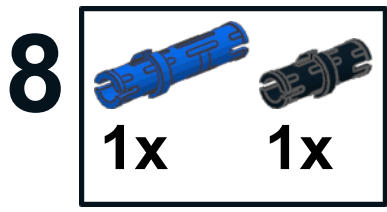


7

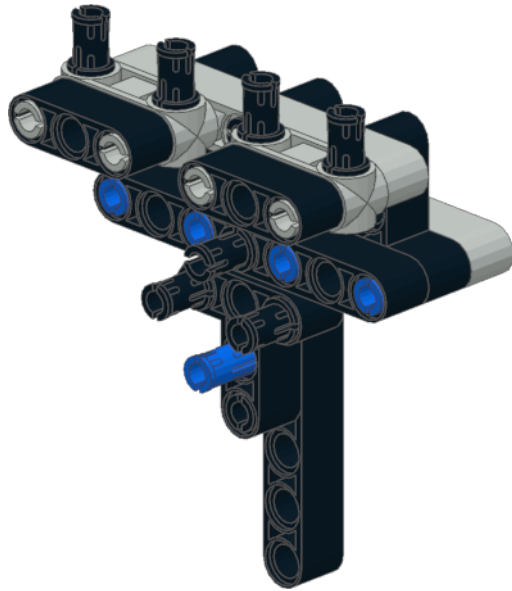
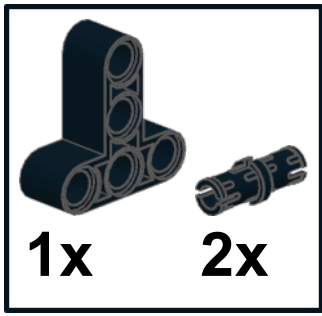


1x

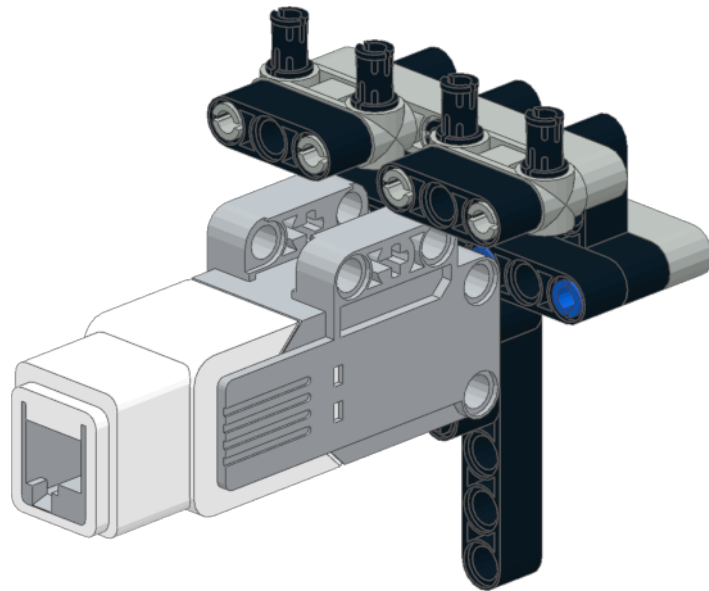
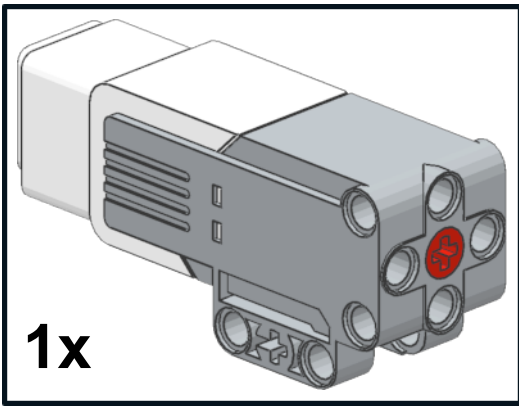




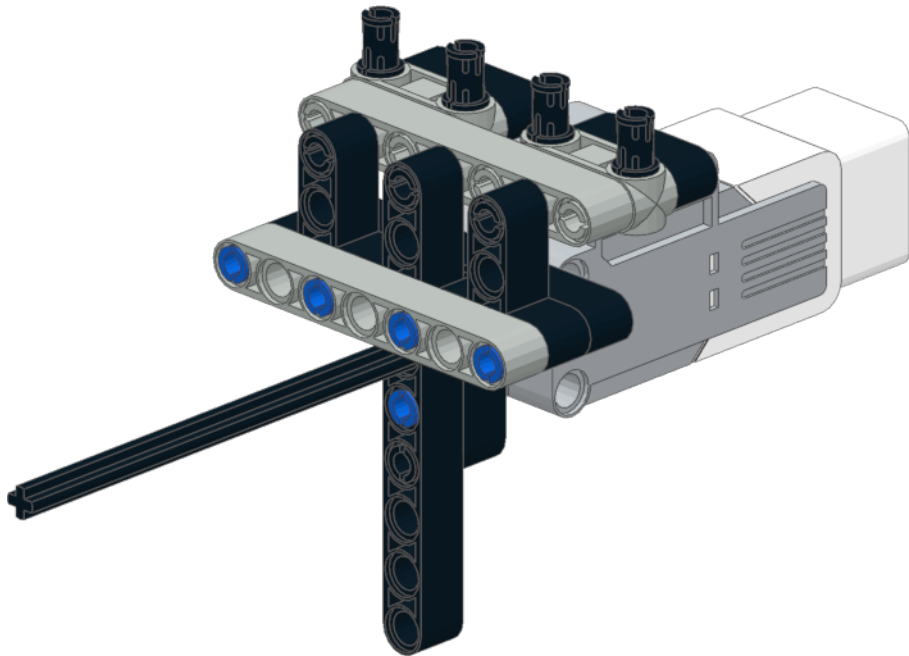
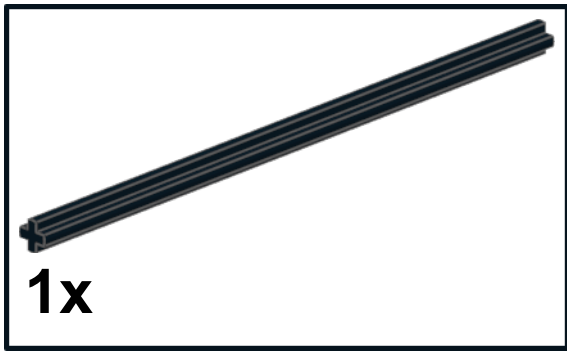
9



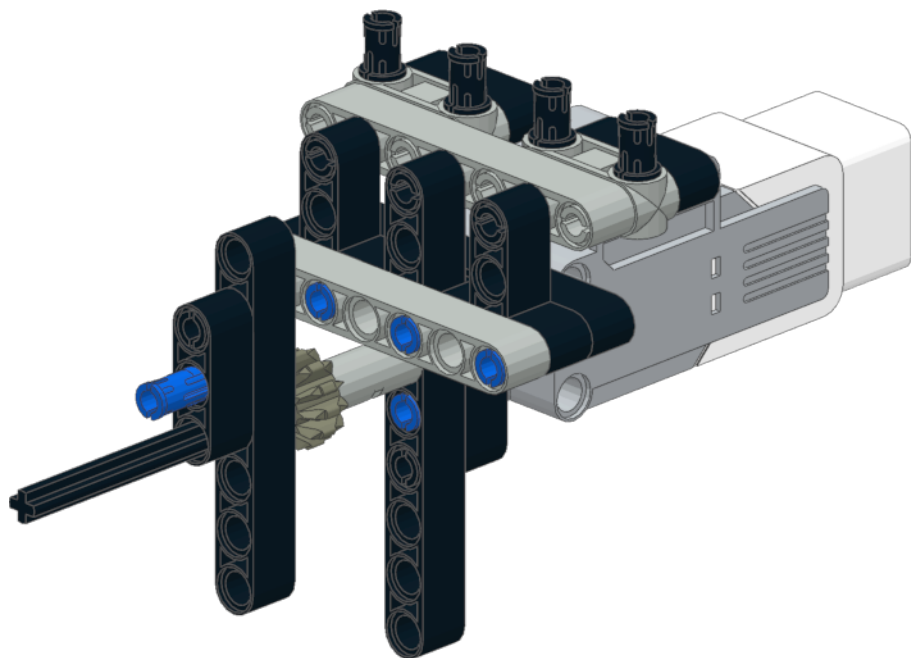
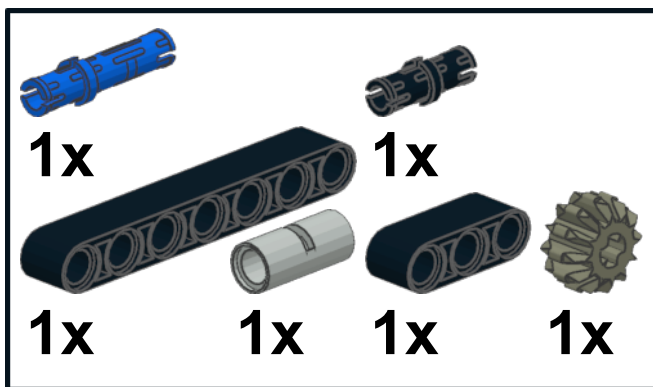
10



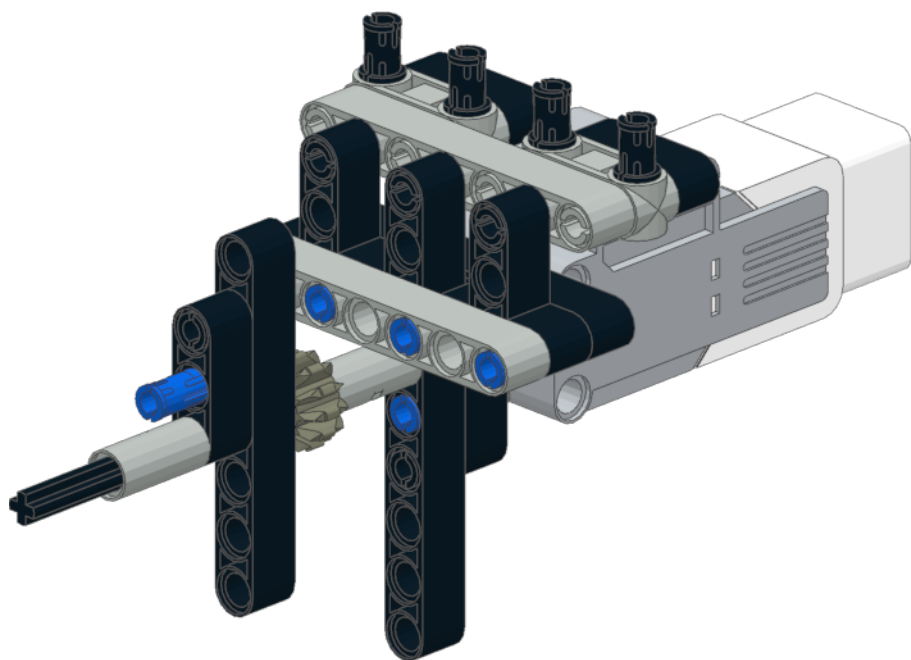
11



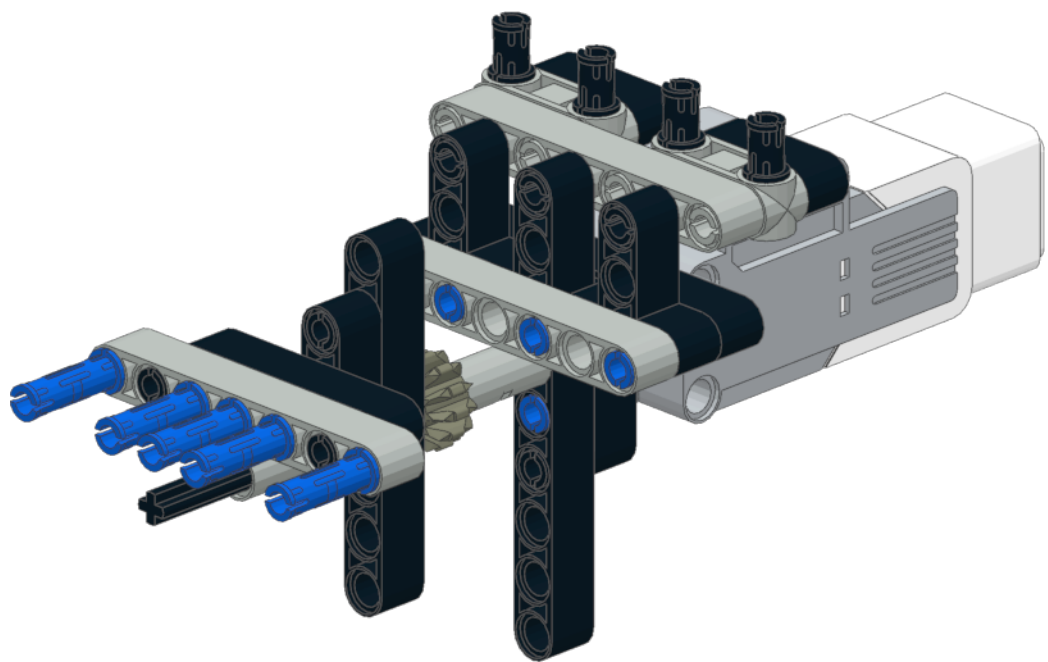
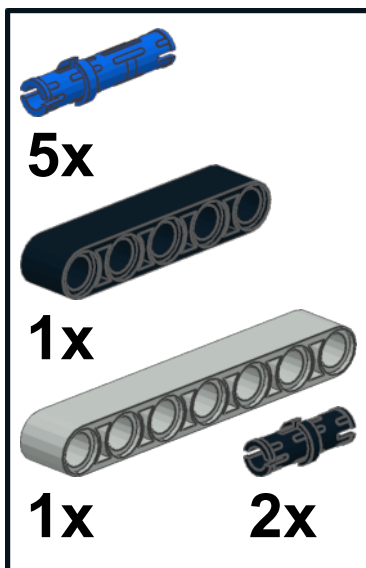
12



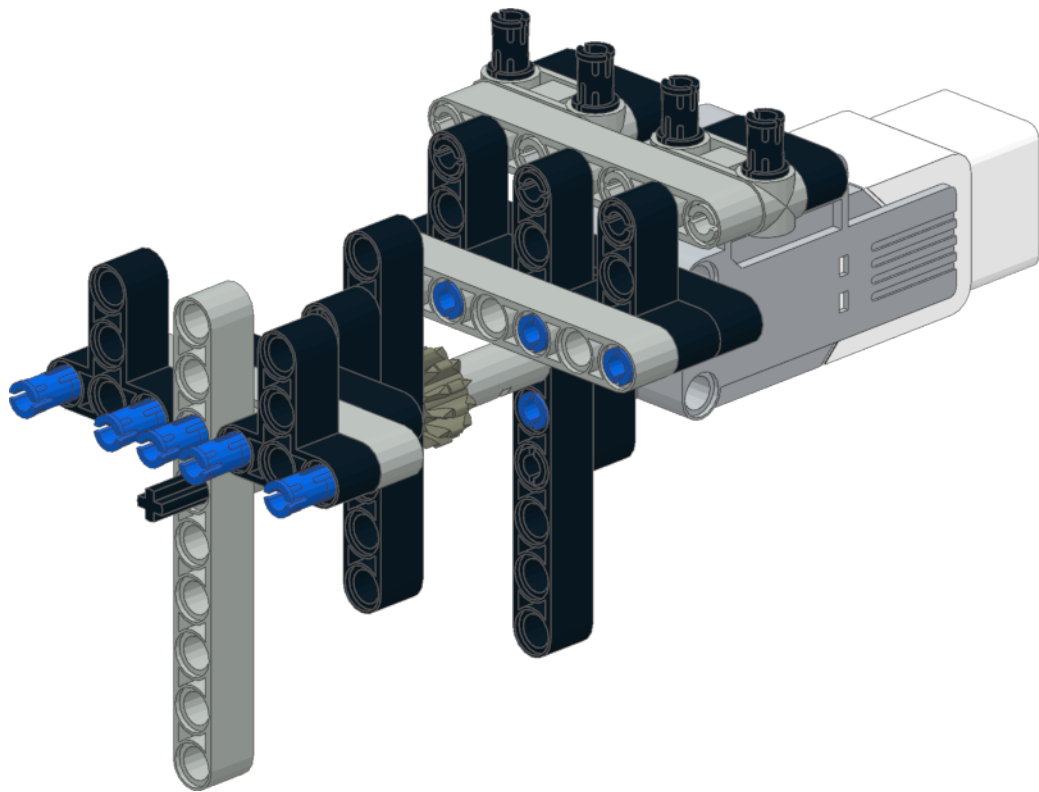
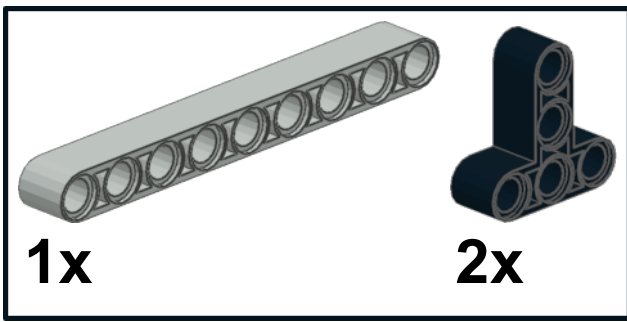
13



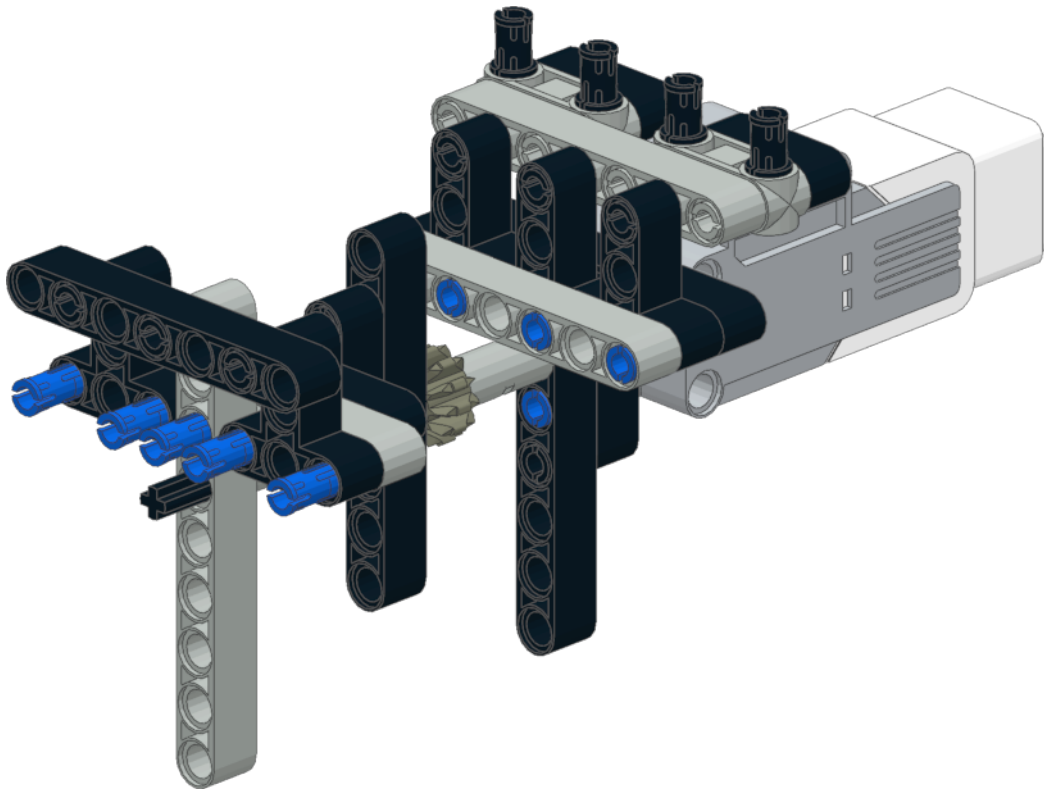
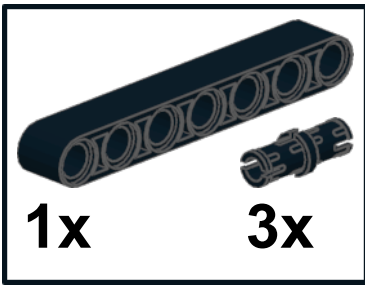
14



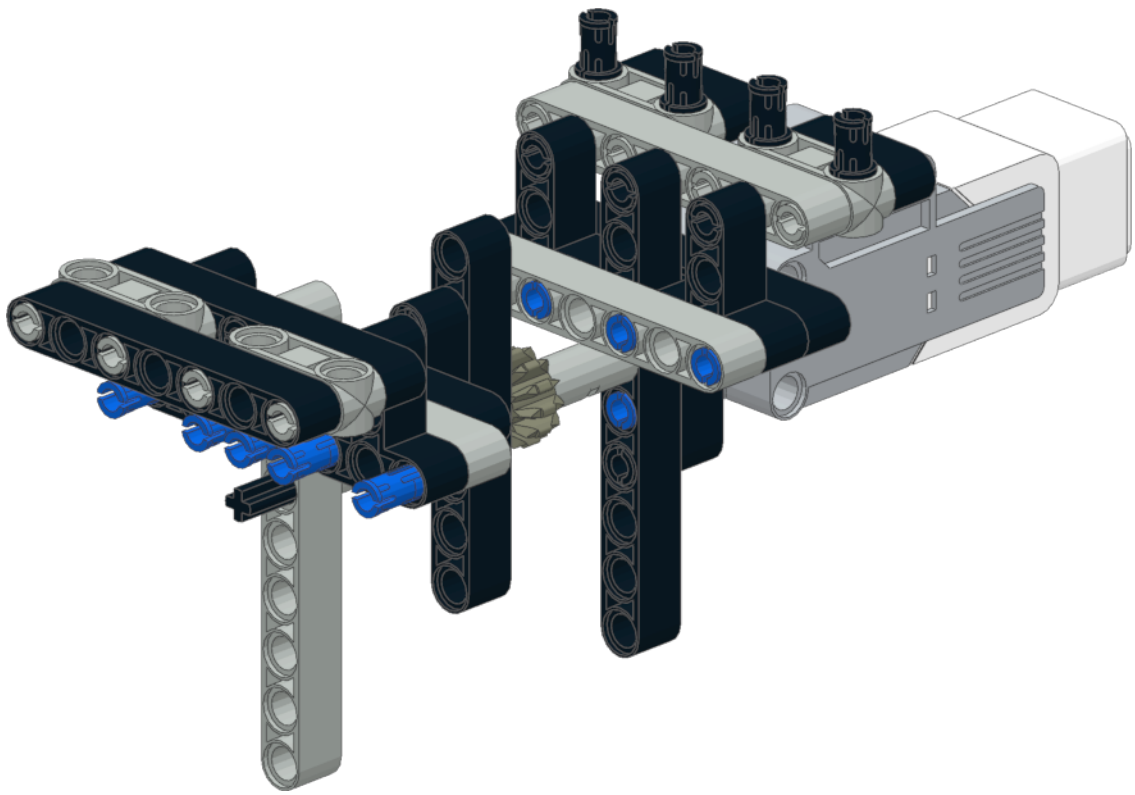
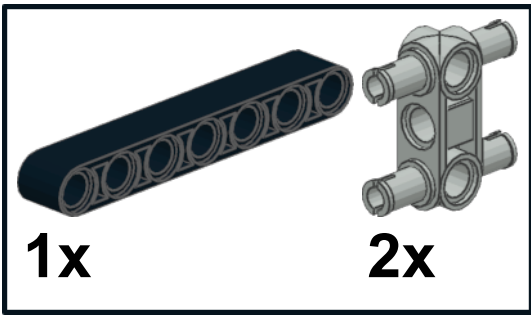
15



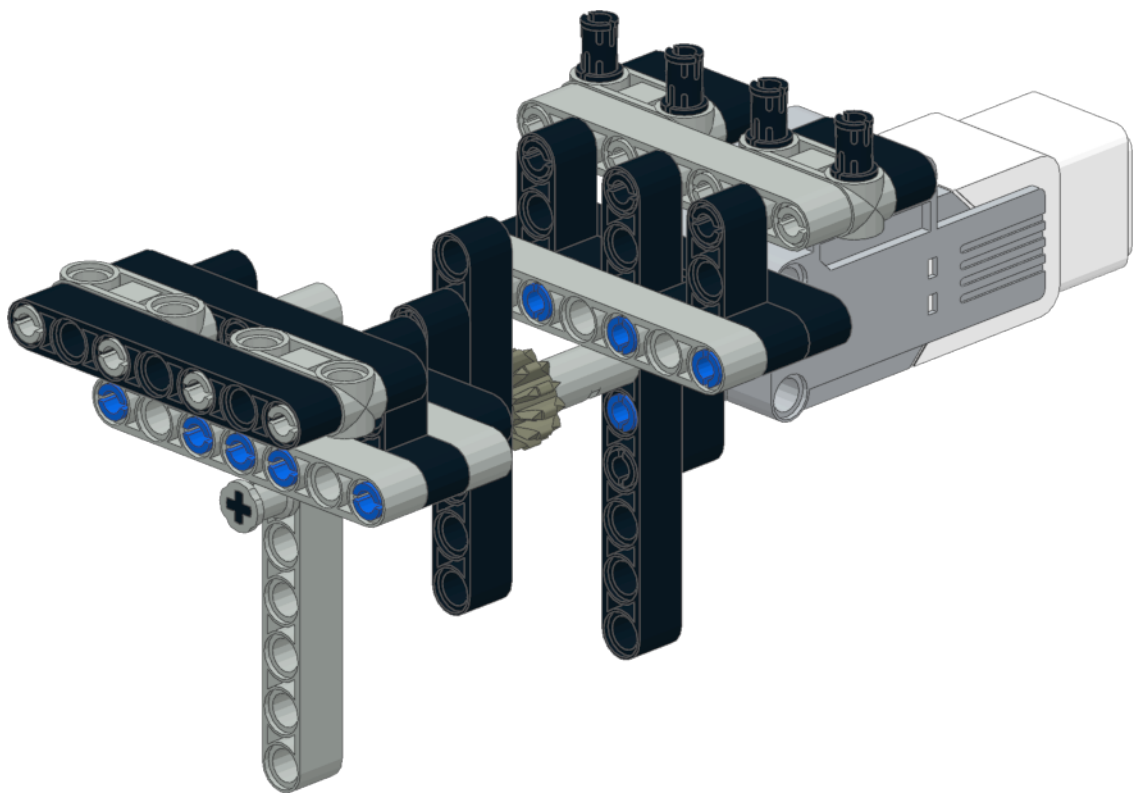
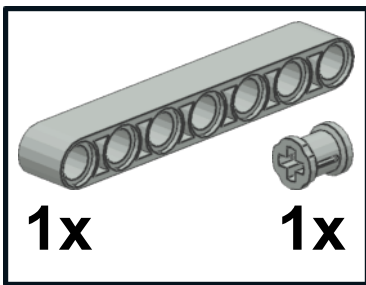
16



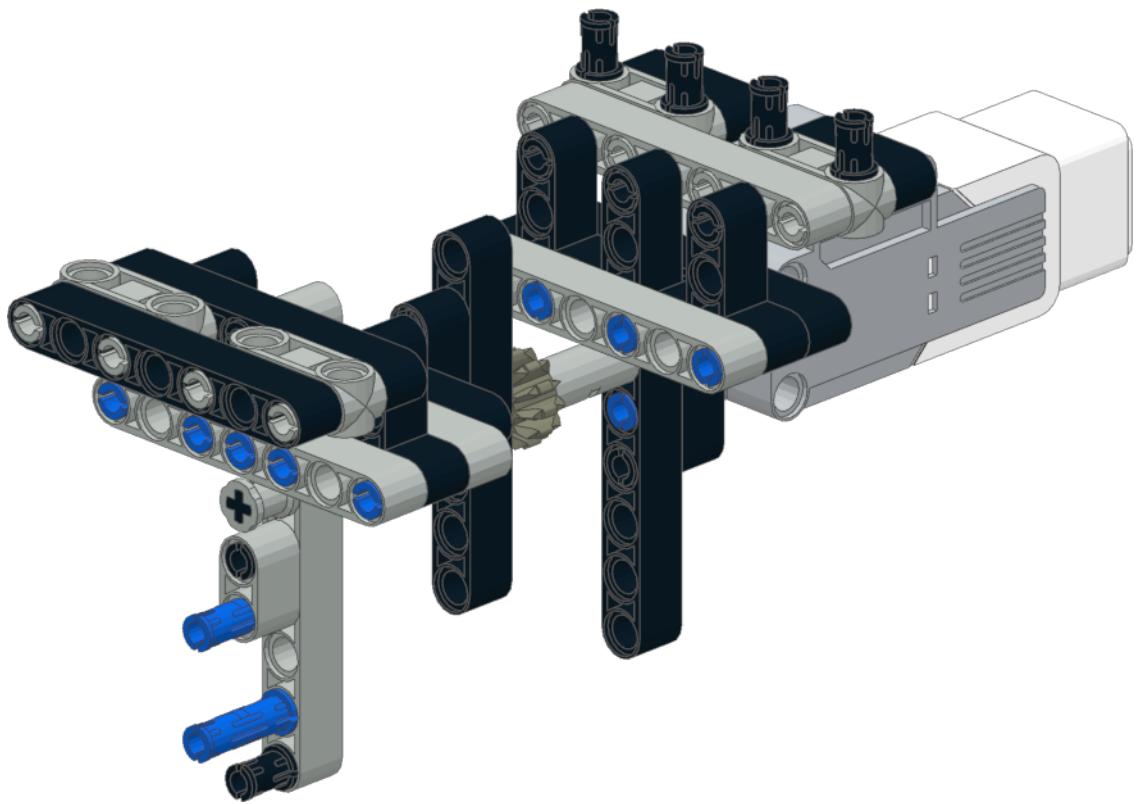
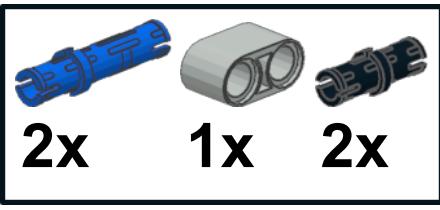
17



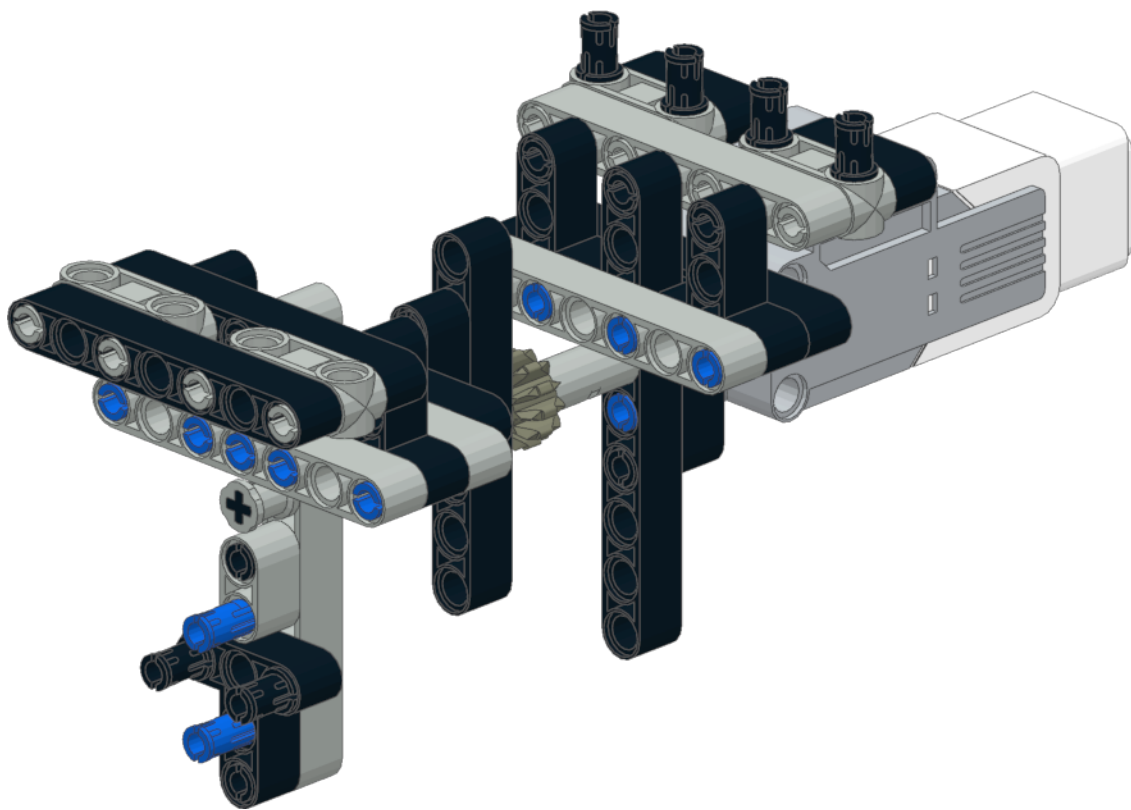
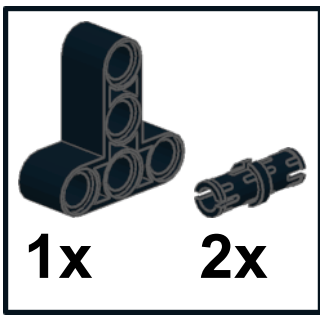
18



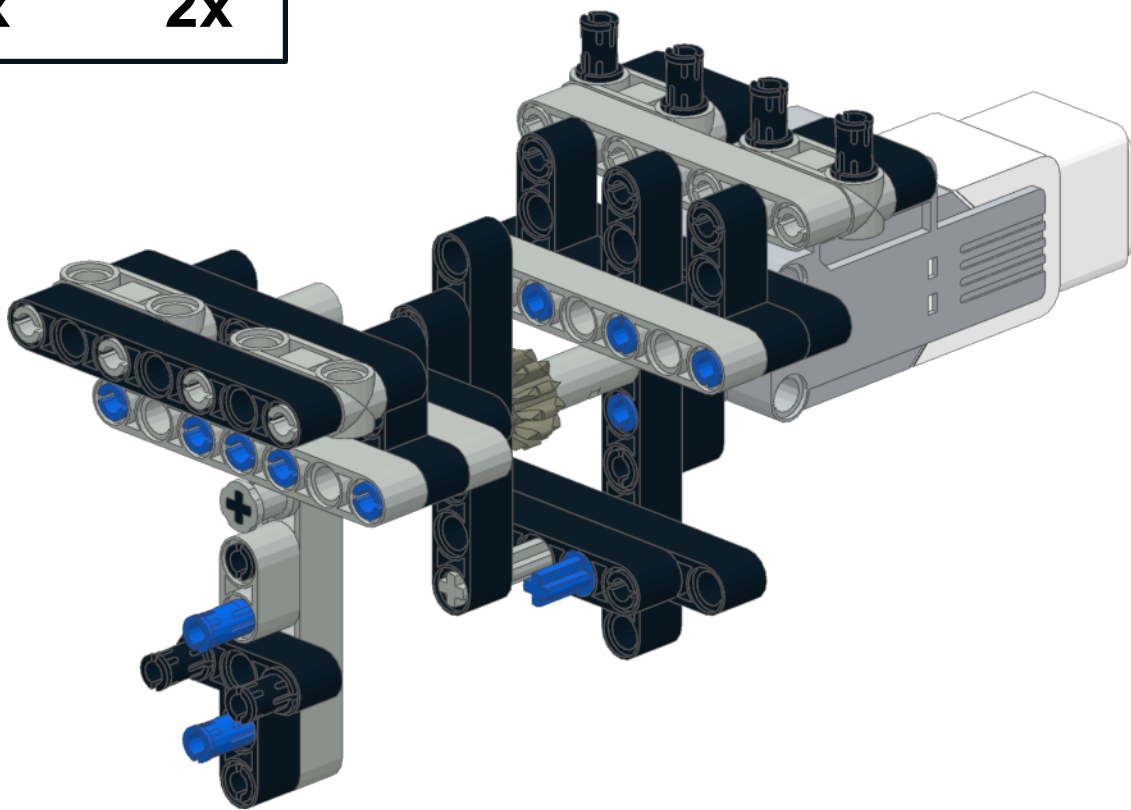
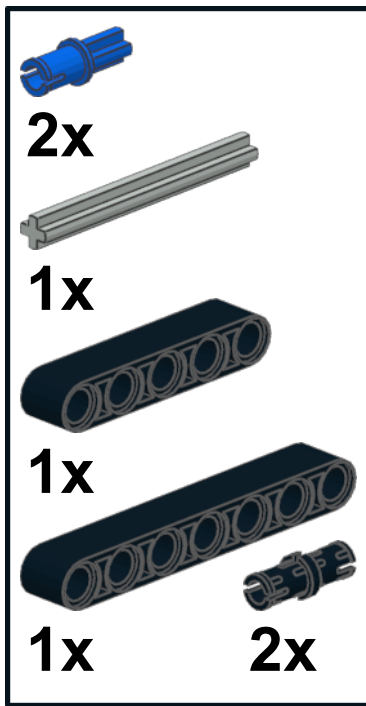
19



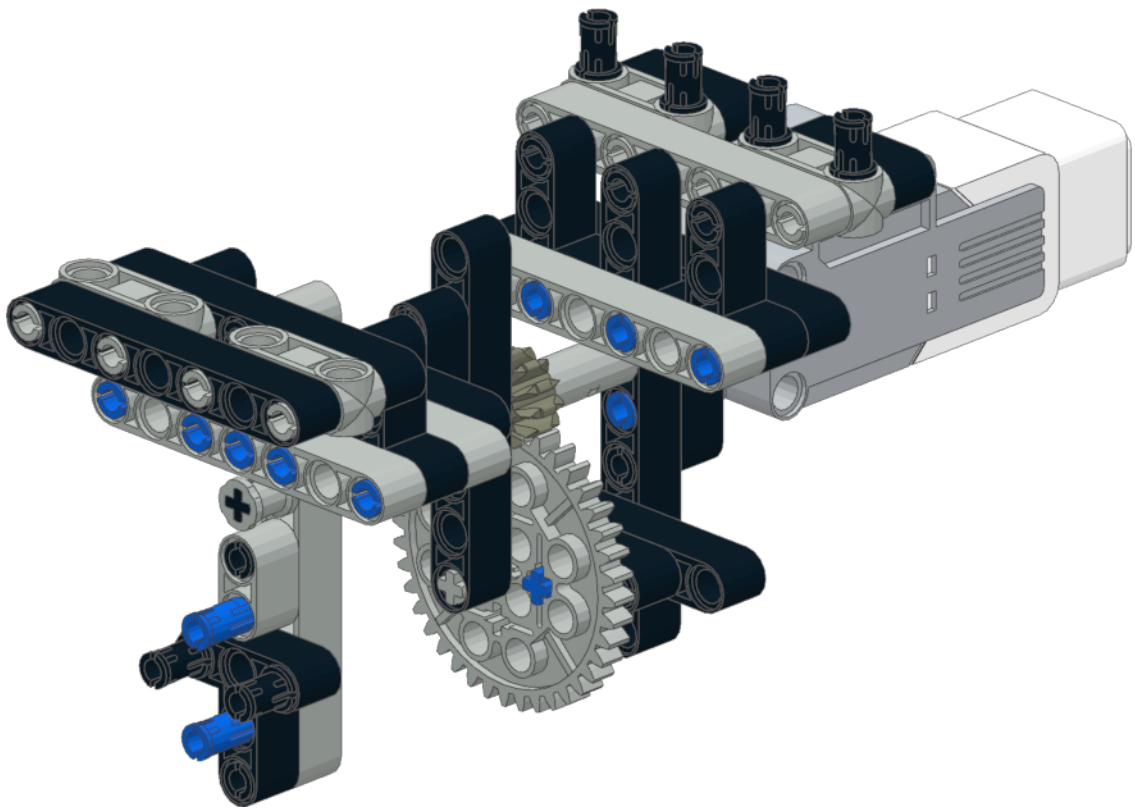
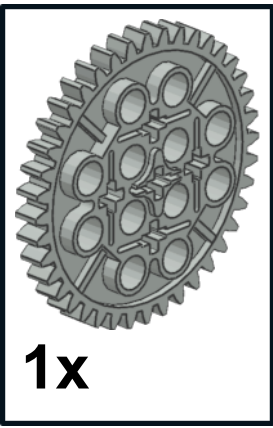
20



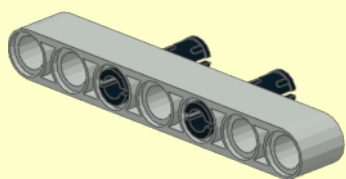
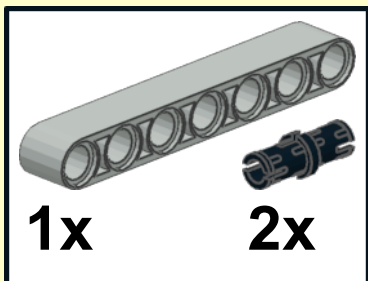
21



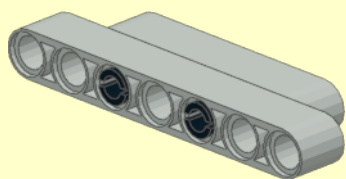
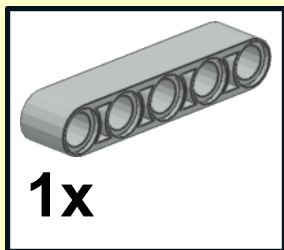
22



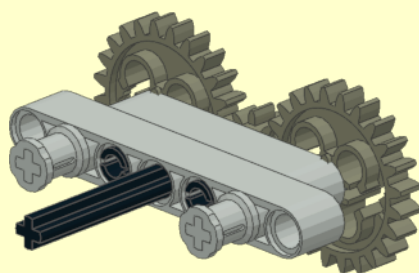
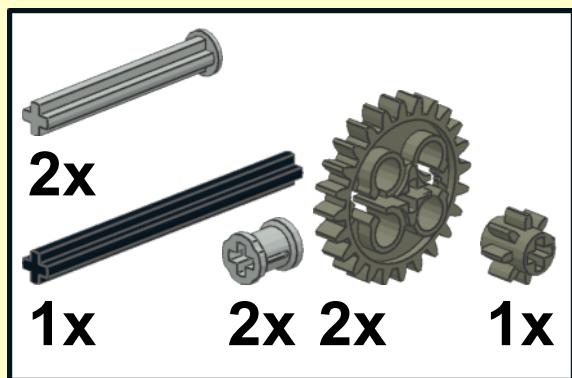
1

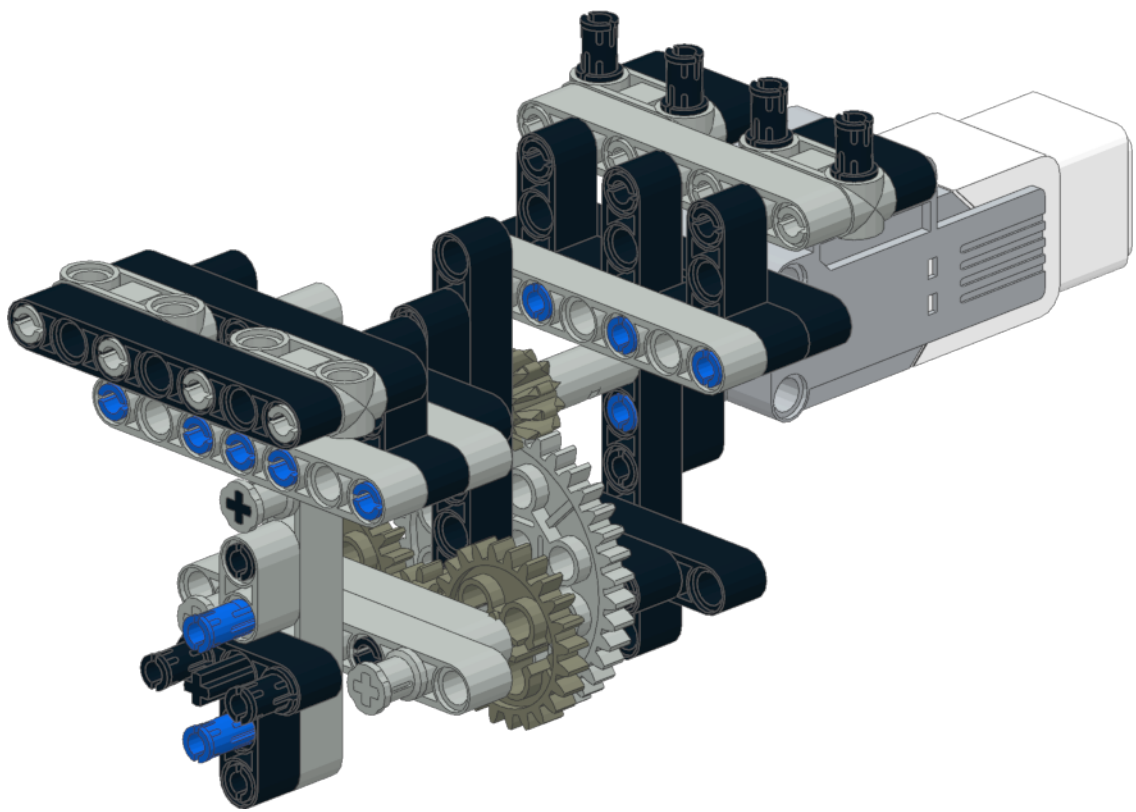


2



3

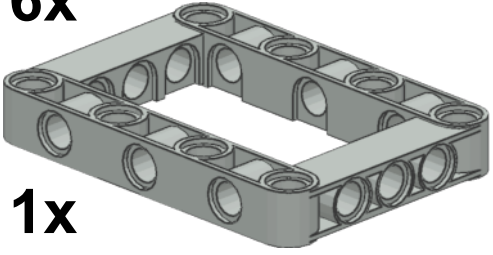




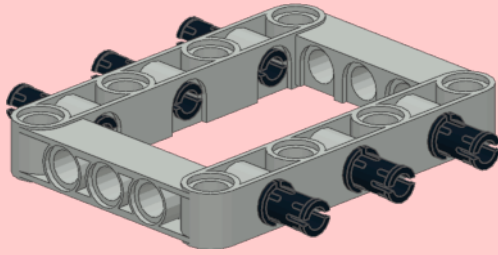
1



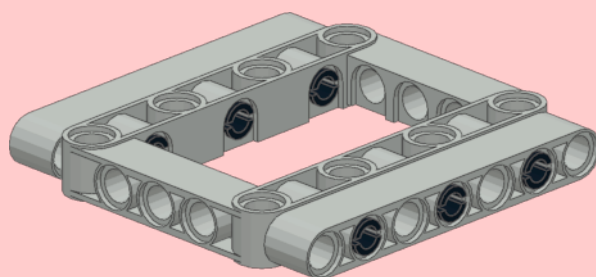
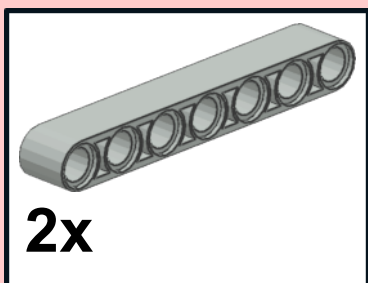
6x



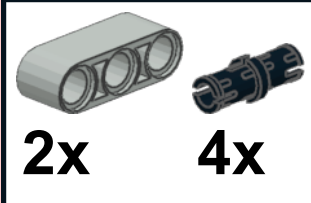
1x



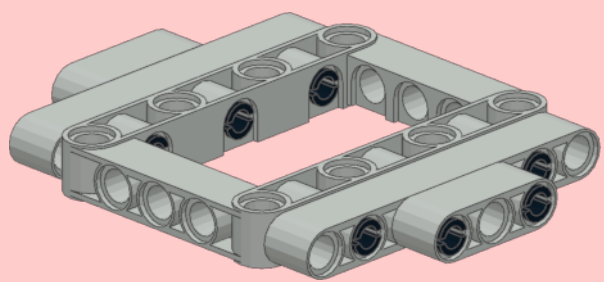
2



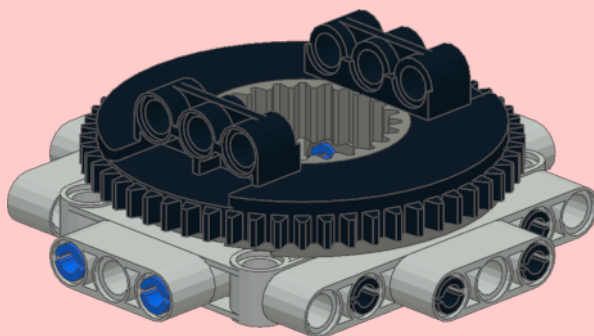
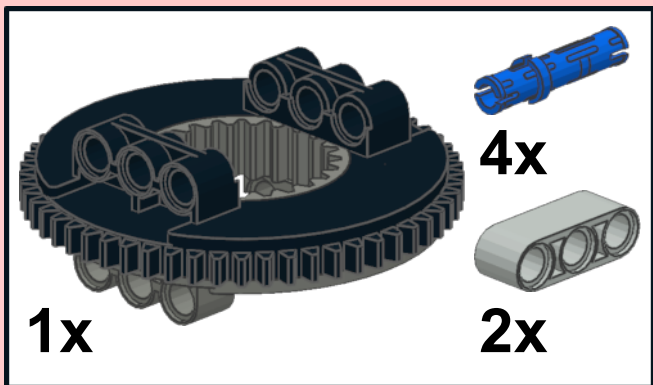
3



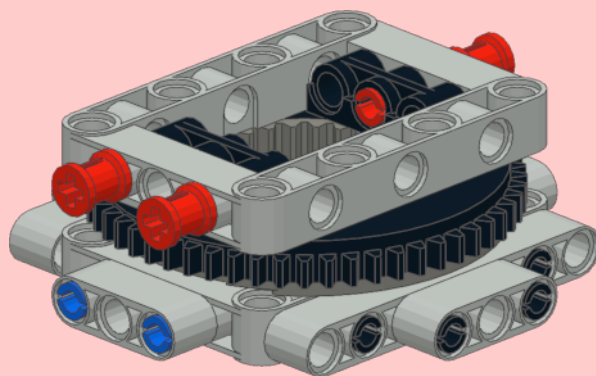
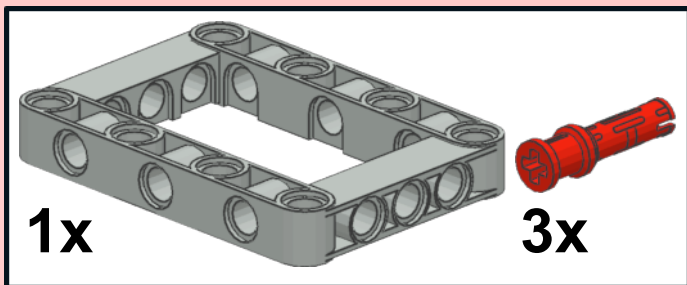
2x **4x**



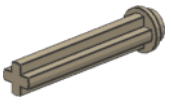
4



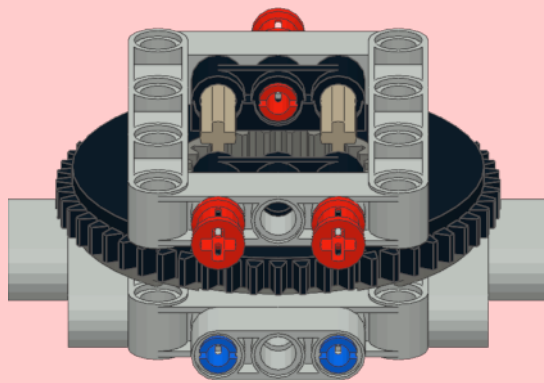
5

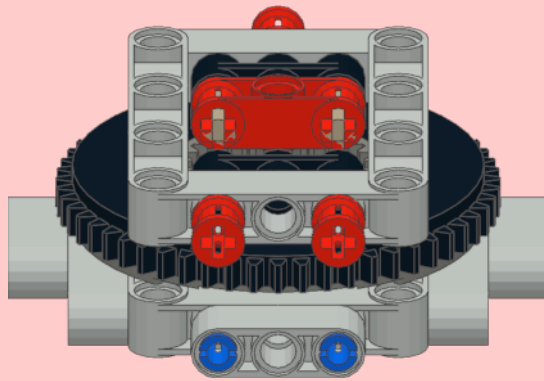
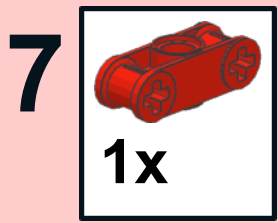


6

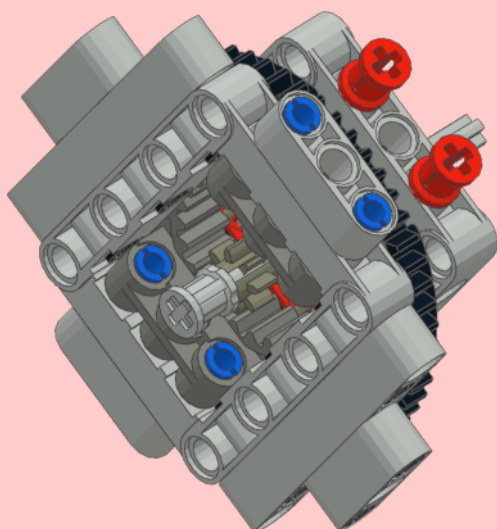
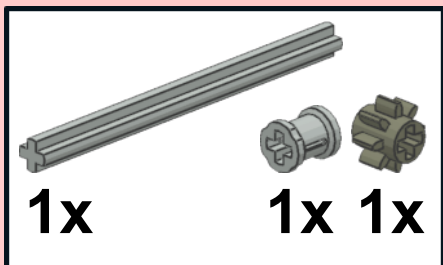


2x

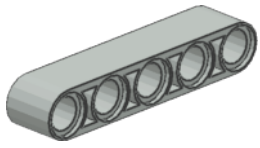




8



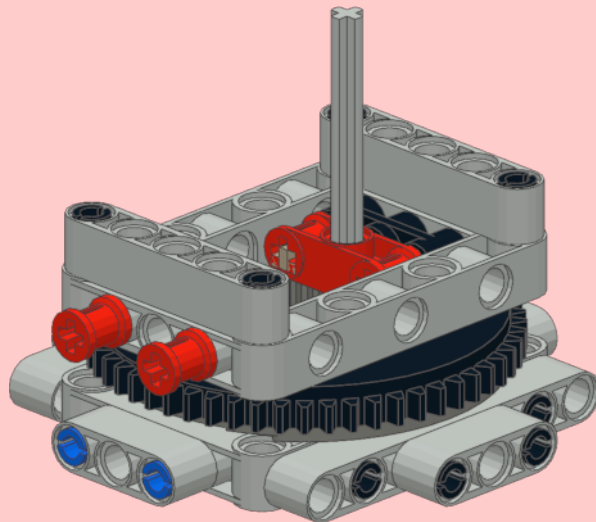
9



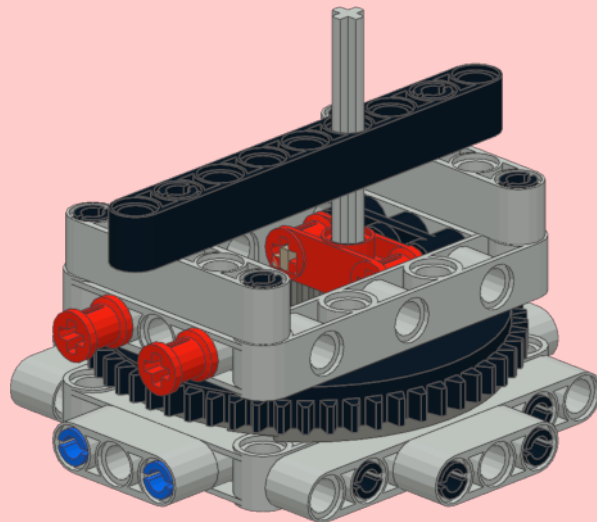
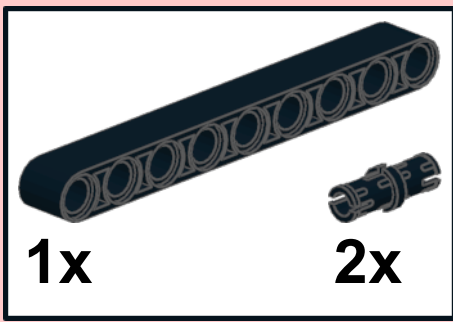
2x



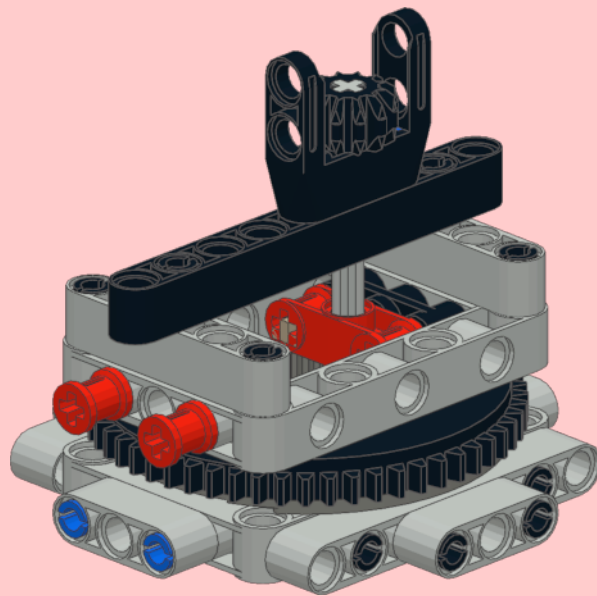
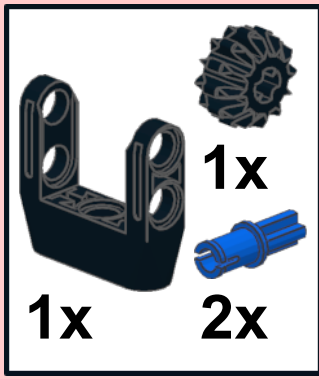
4x



10

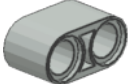




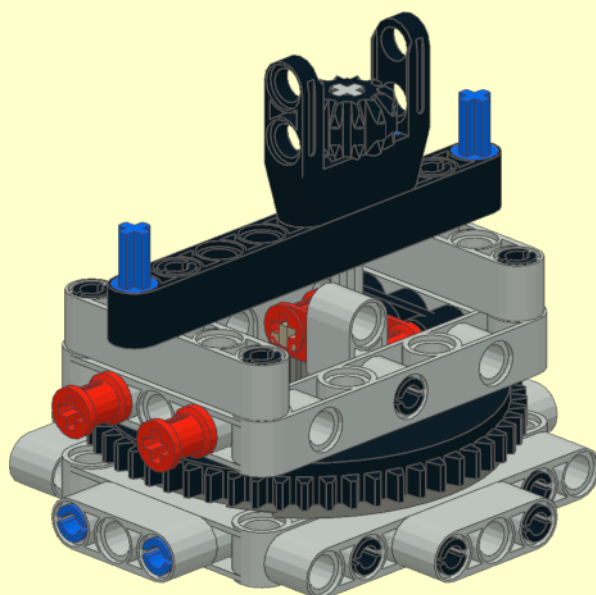
11



x2

1

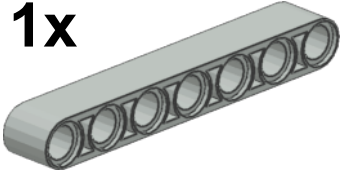
| | | |
|---|---|---|
|  |  |  |
| 1x | 1x | 2x |



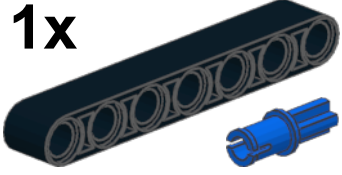
1



1x



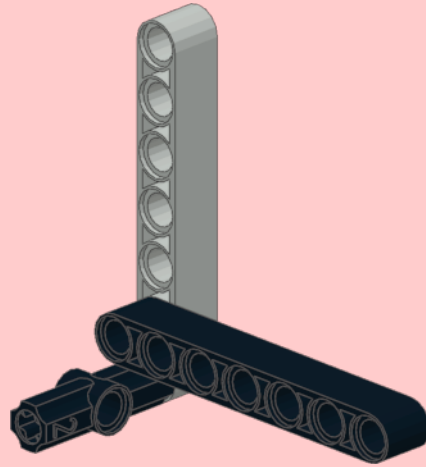
1x

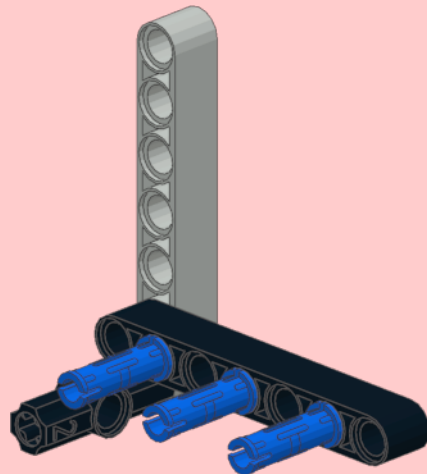
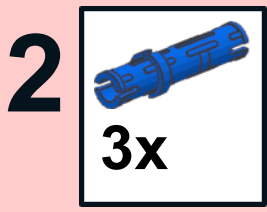


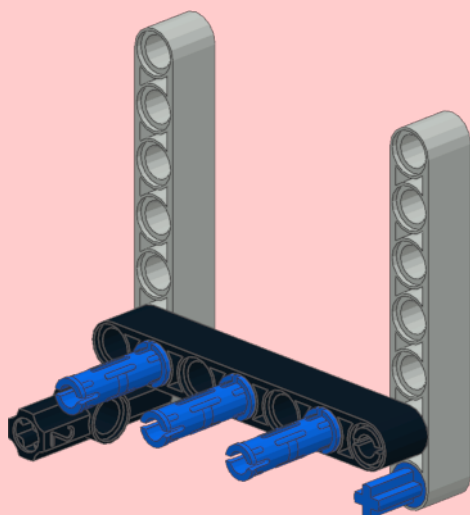
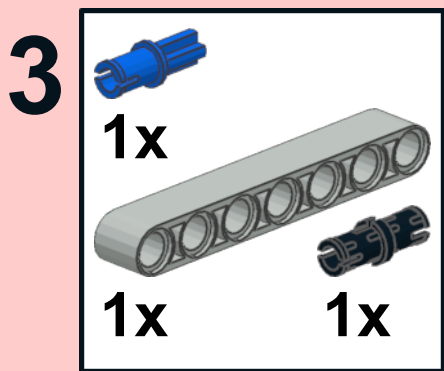
1x



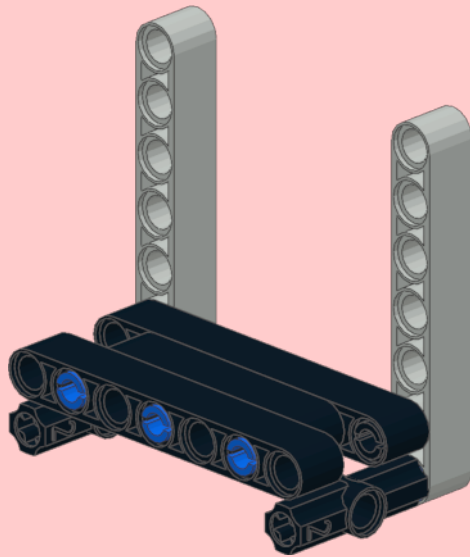
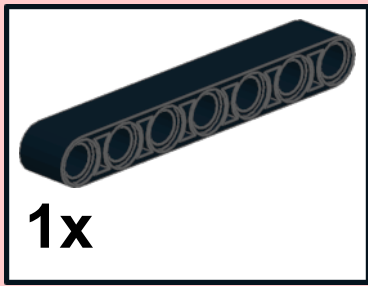
1x

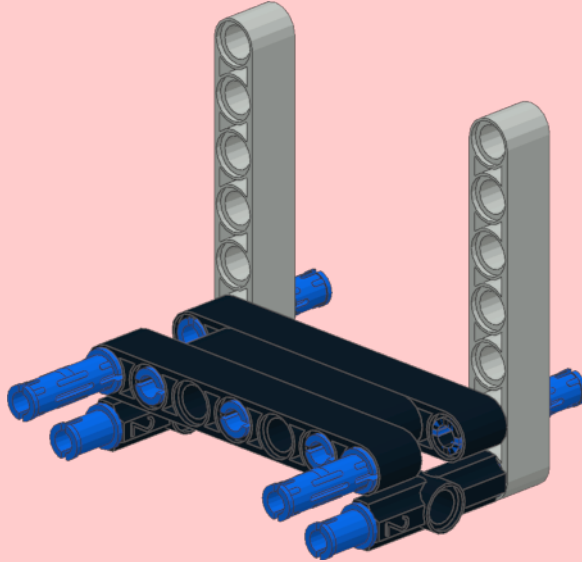
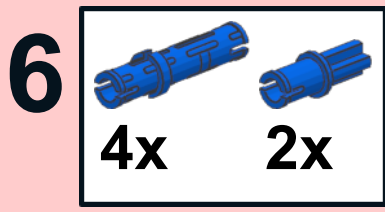




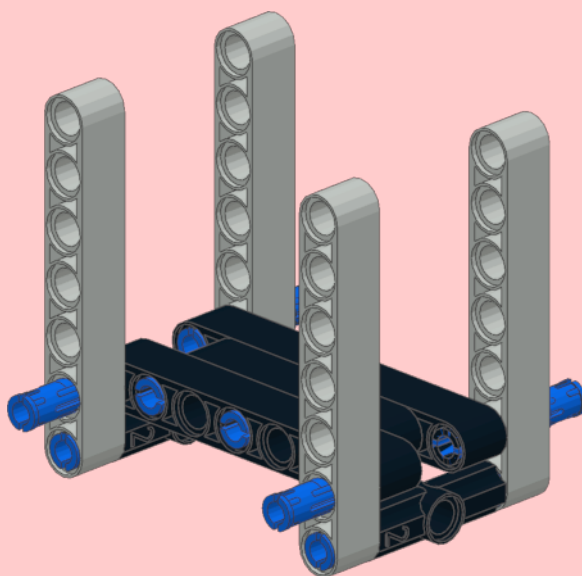
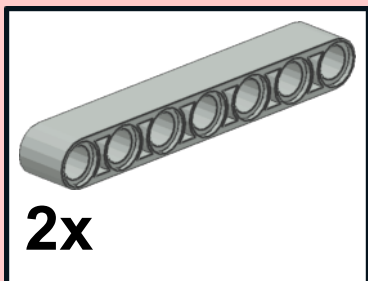


5

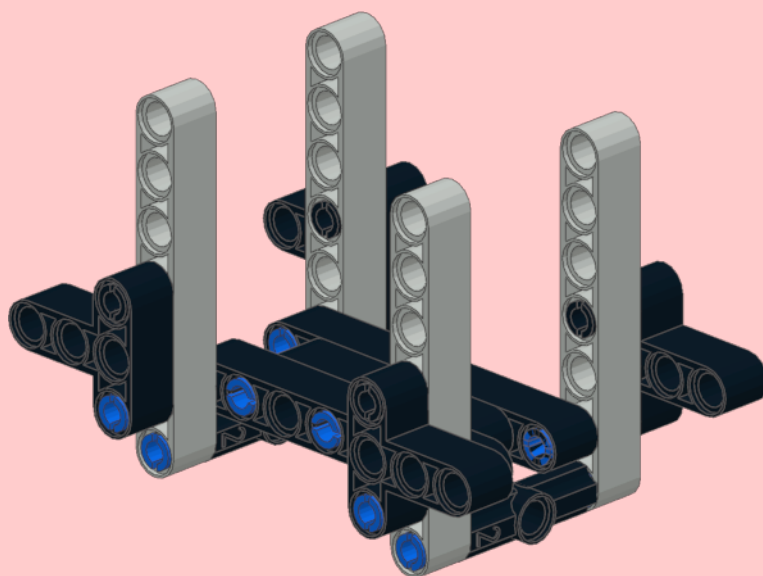
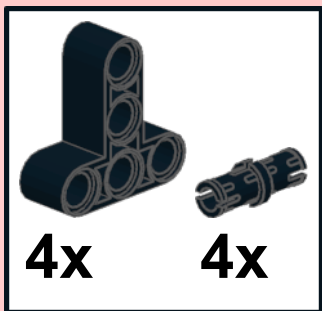


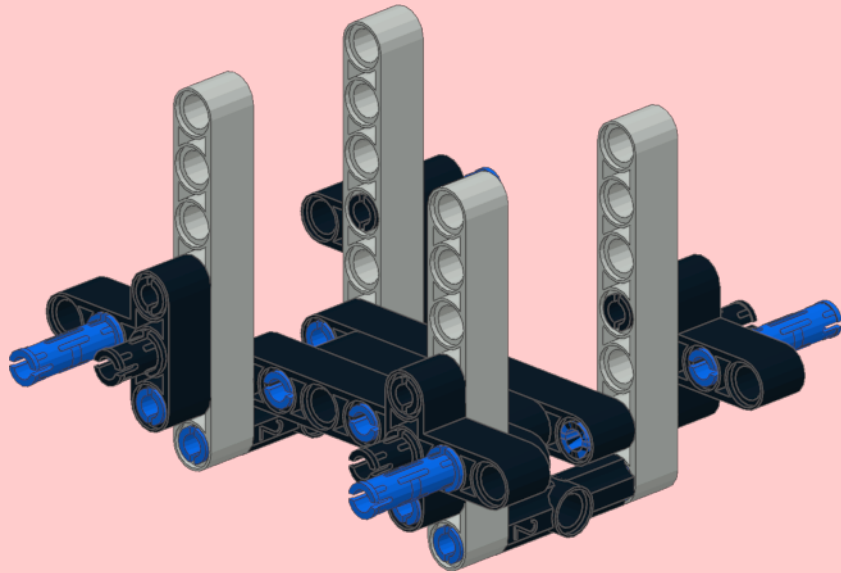
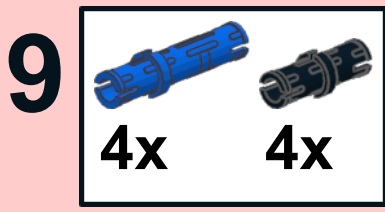


7

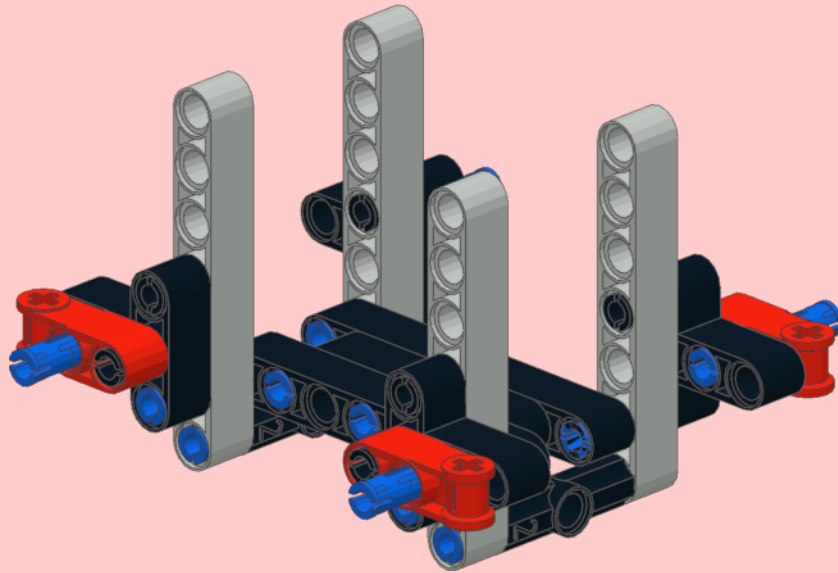


8

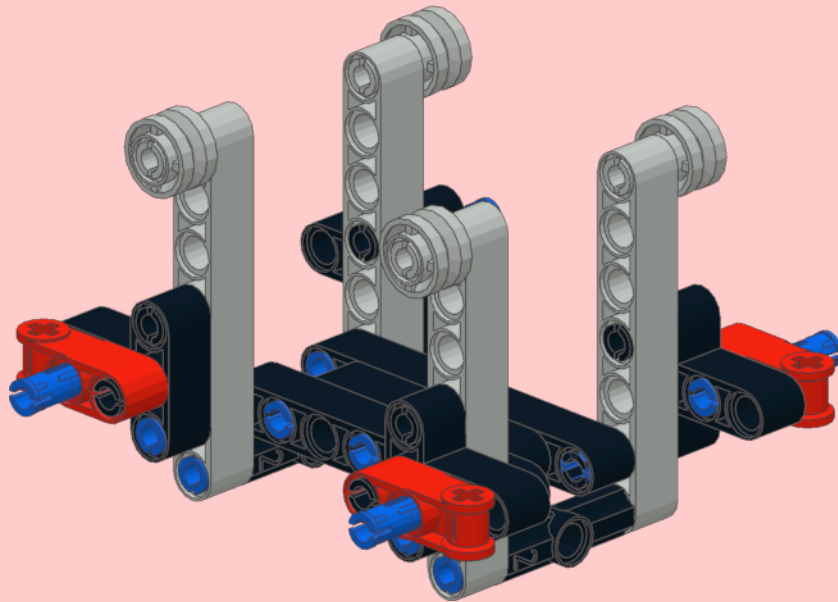


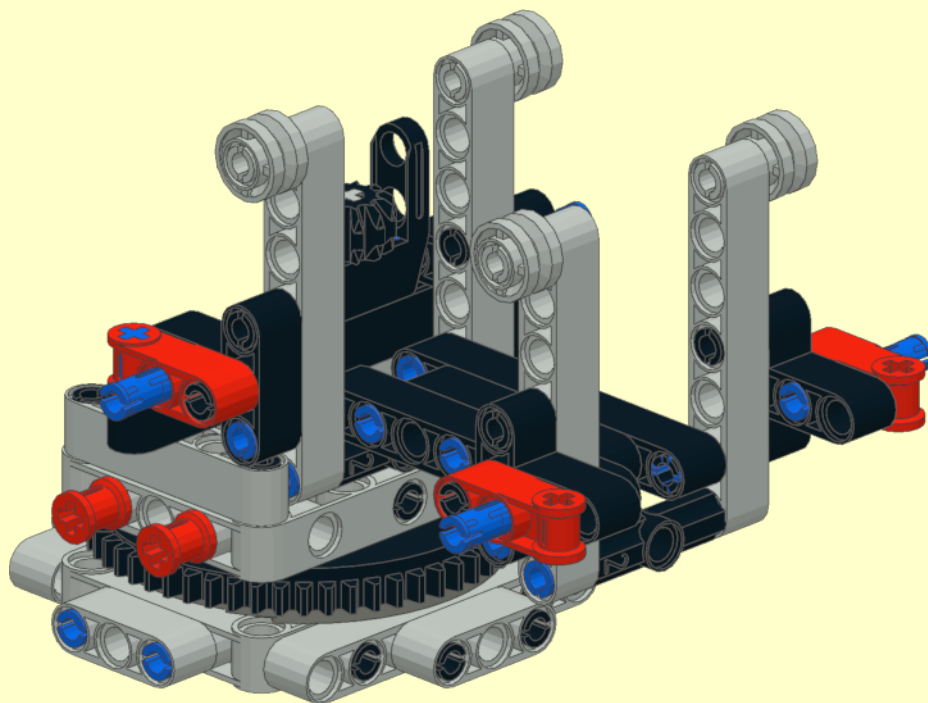


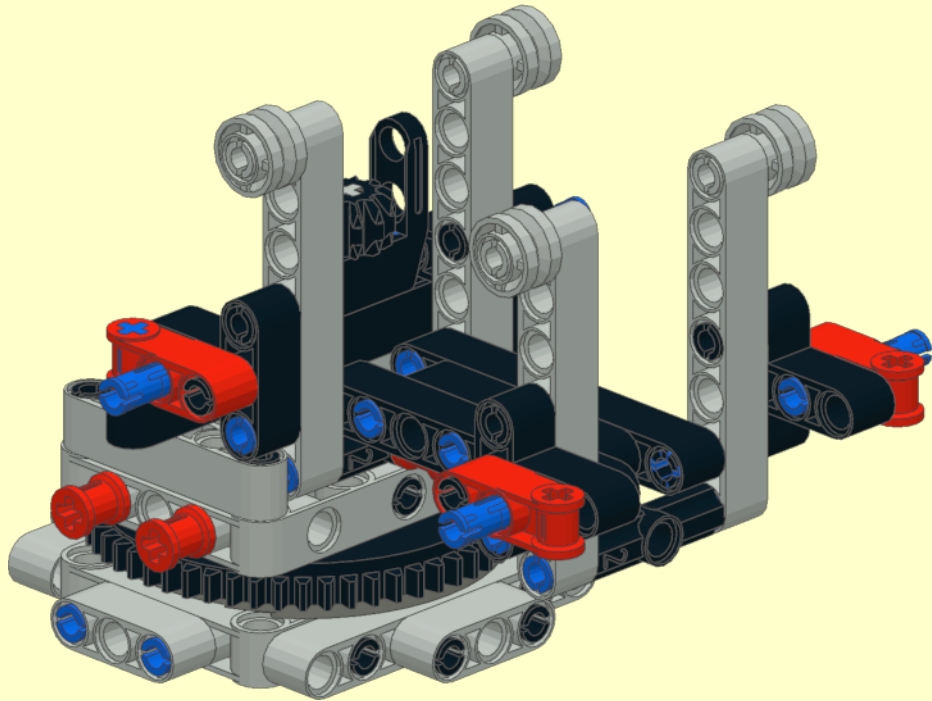
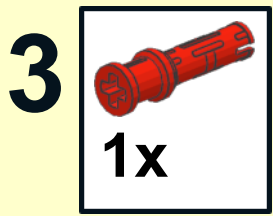
10

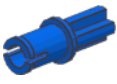


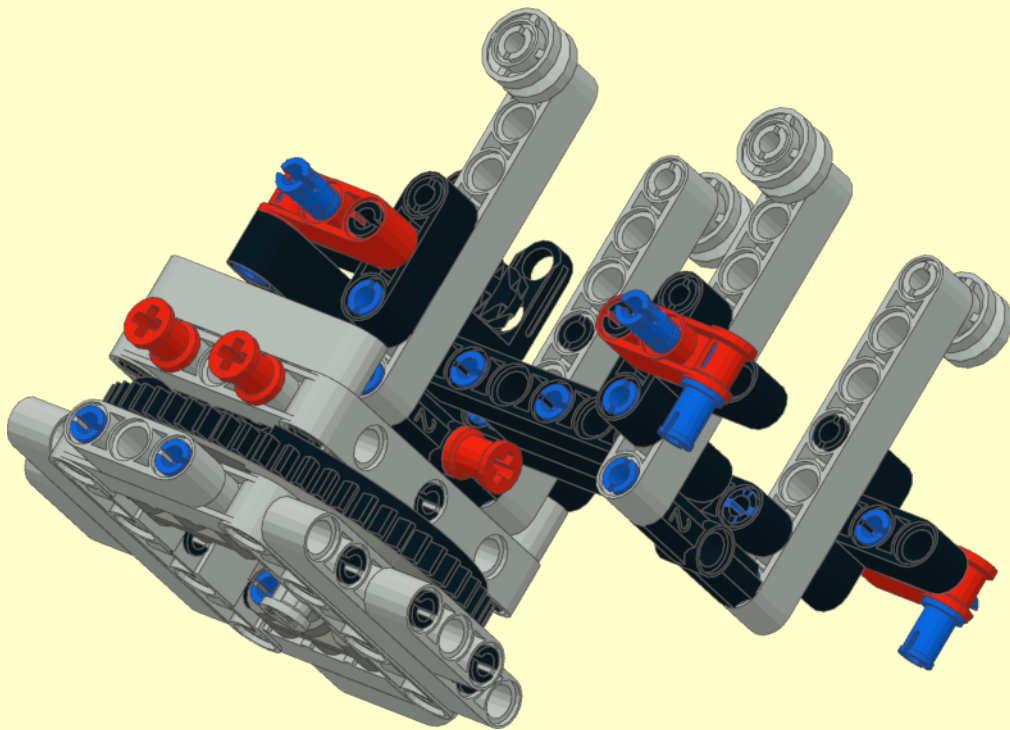
11

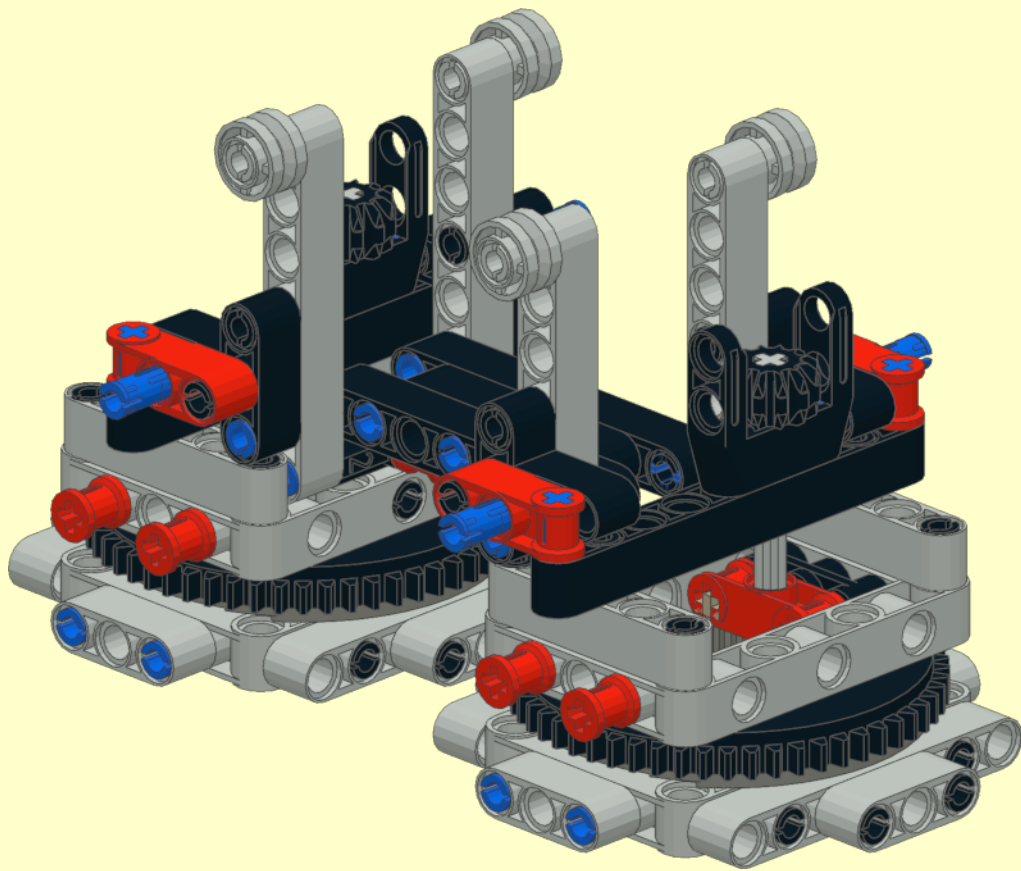




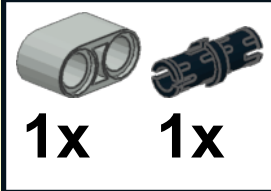


4 
2x

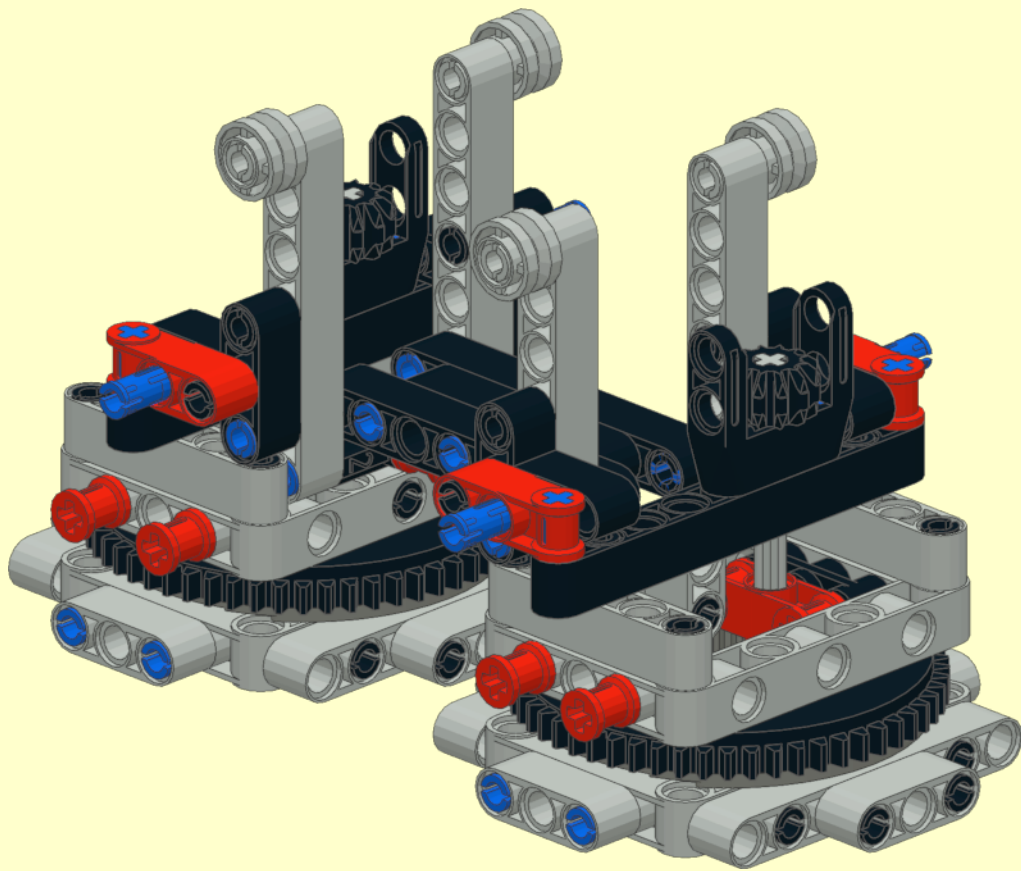


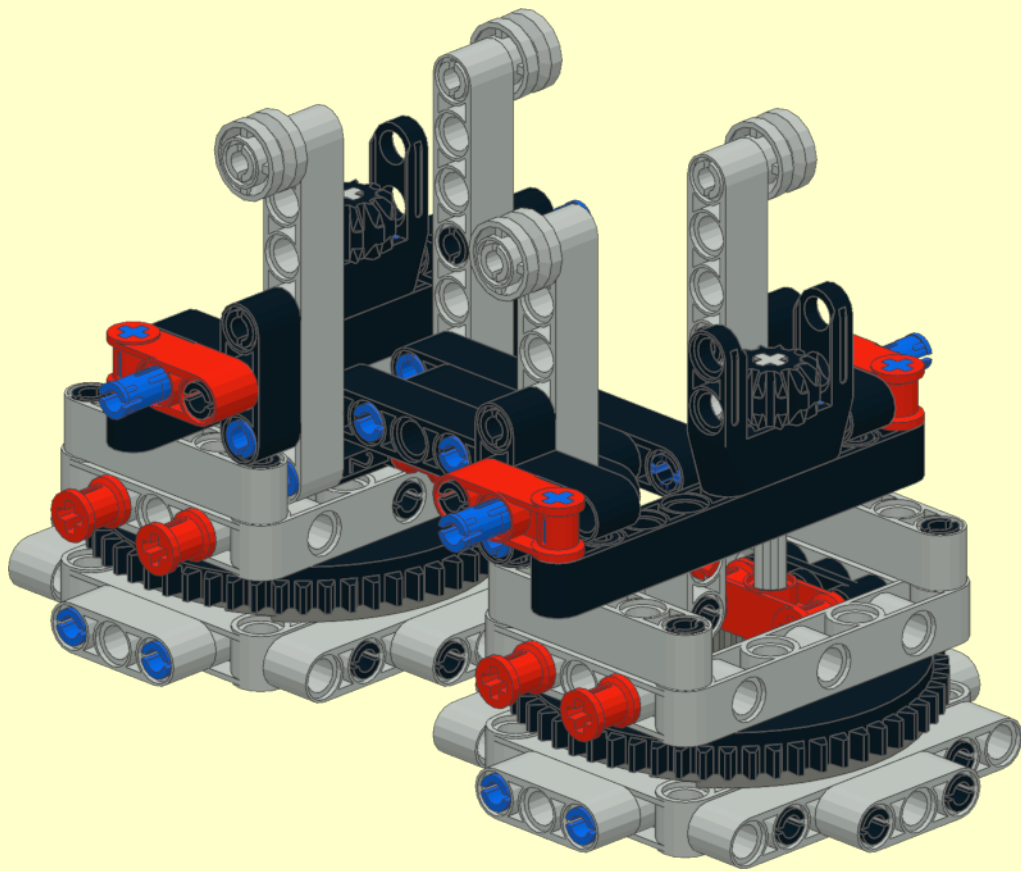
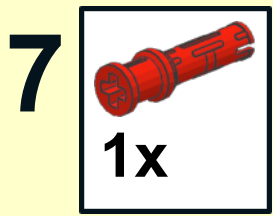


6

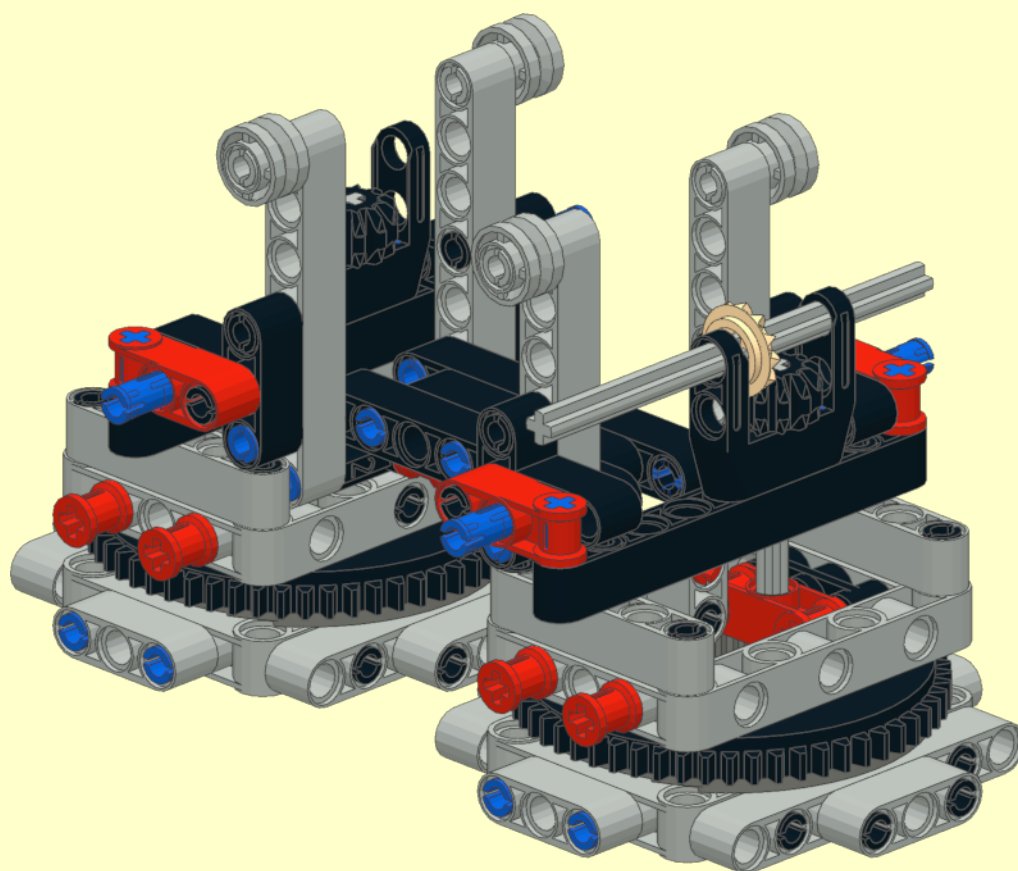
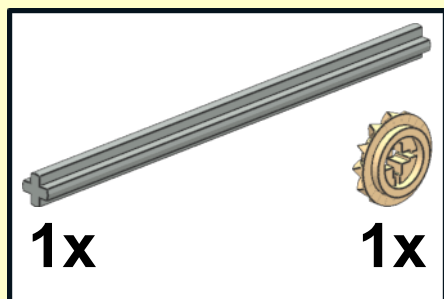


1x **1x**

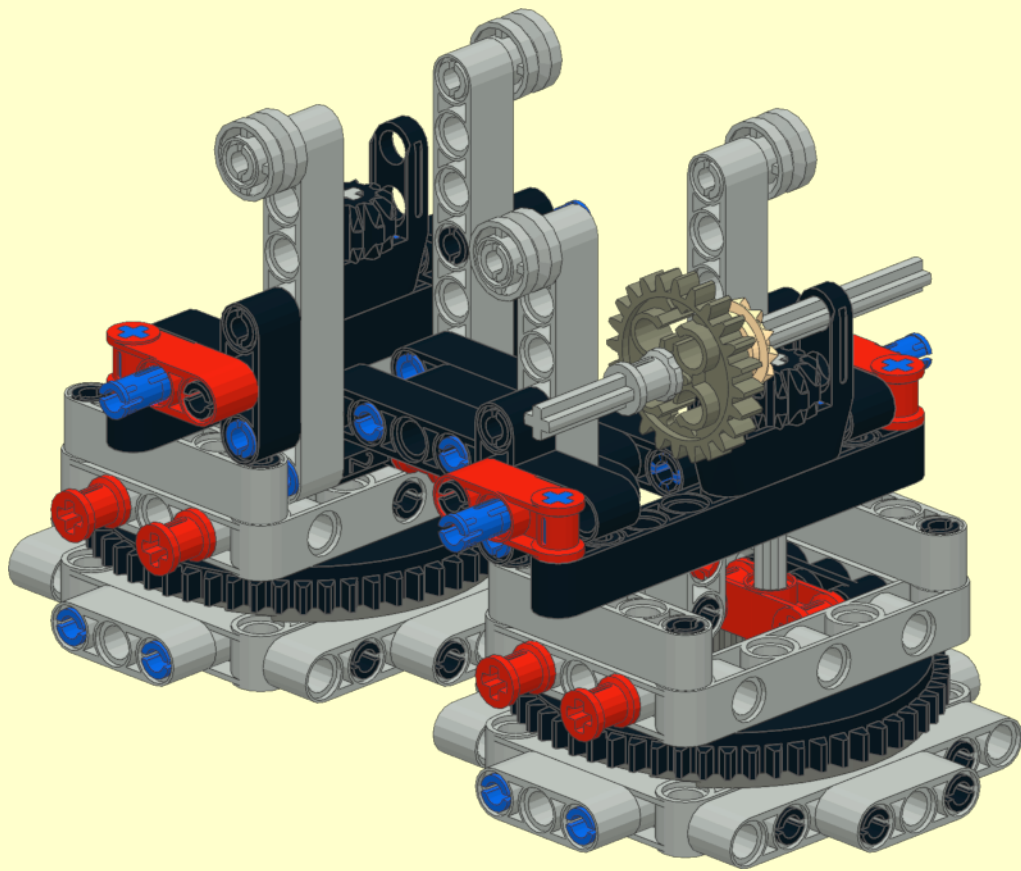
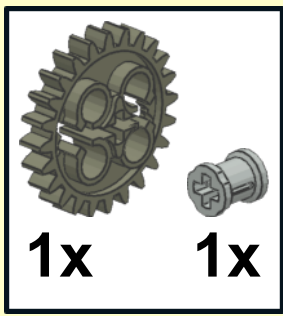




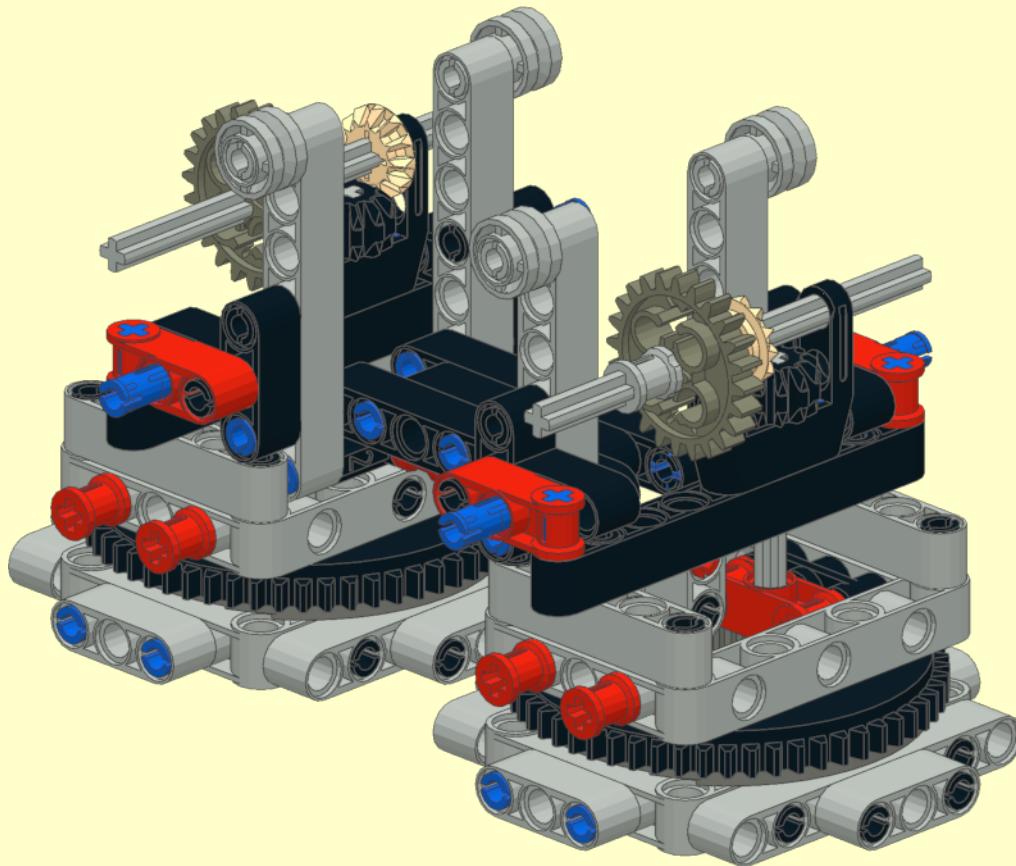
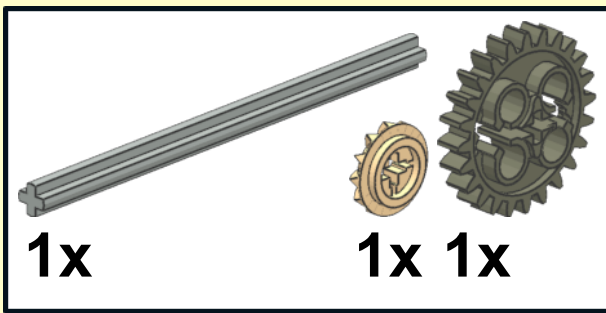
8



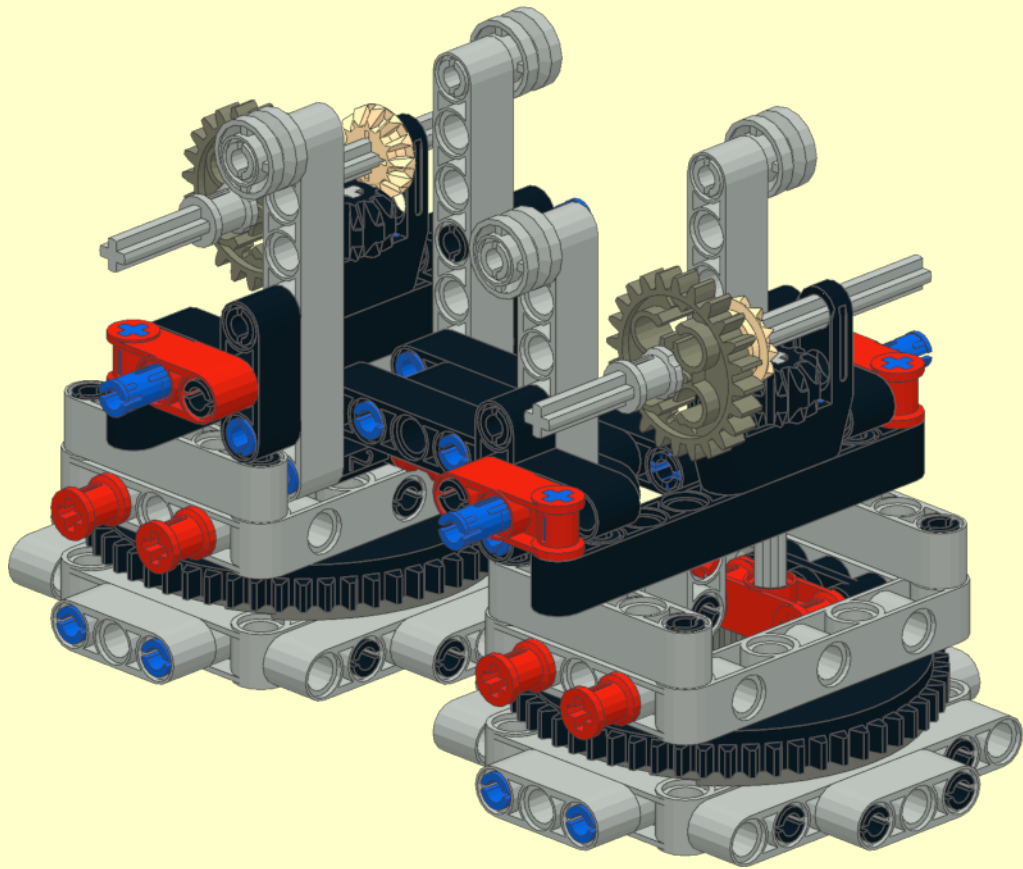
9



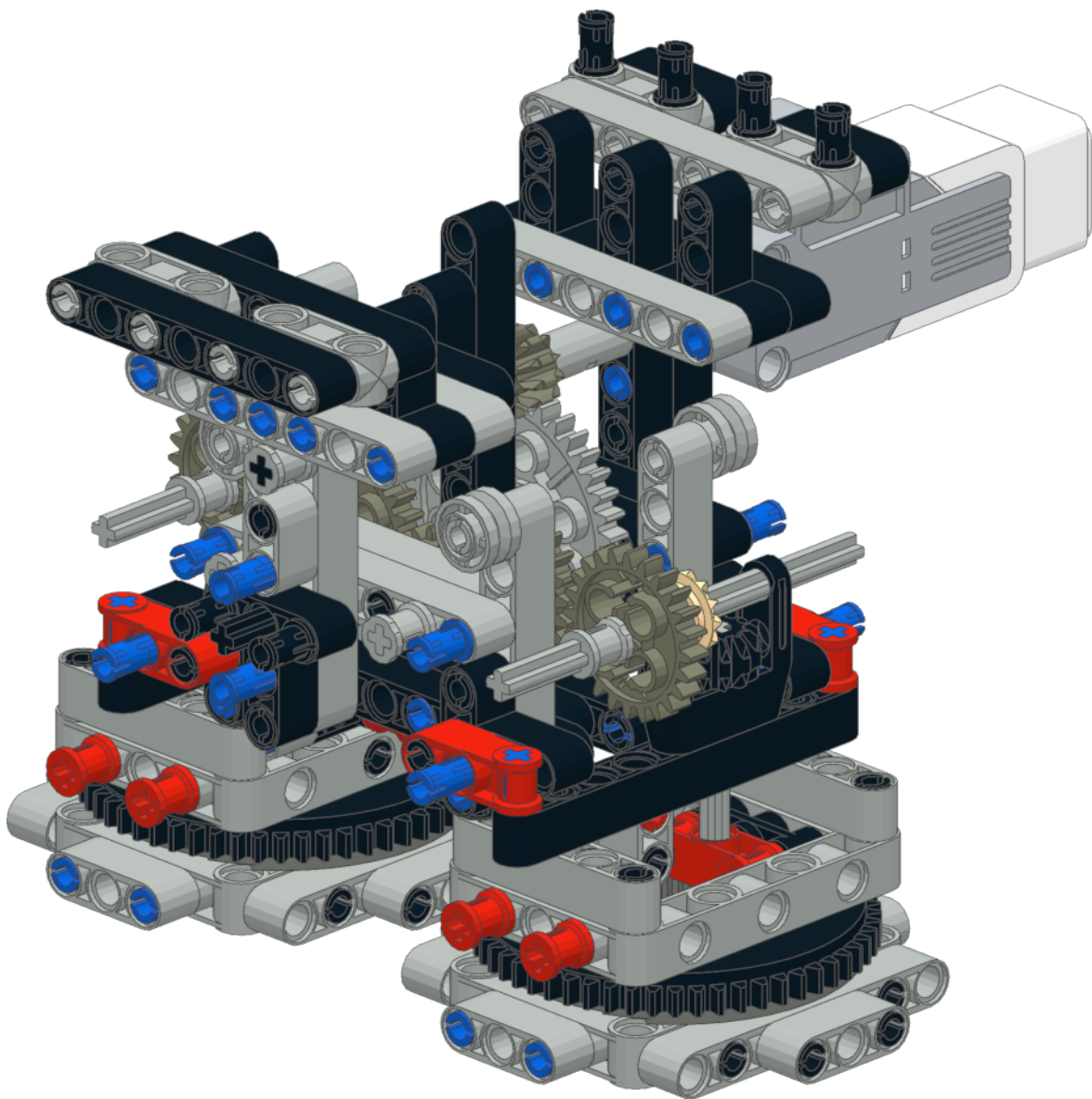
10



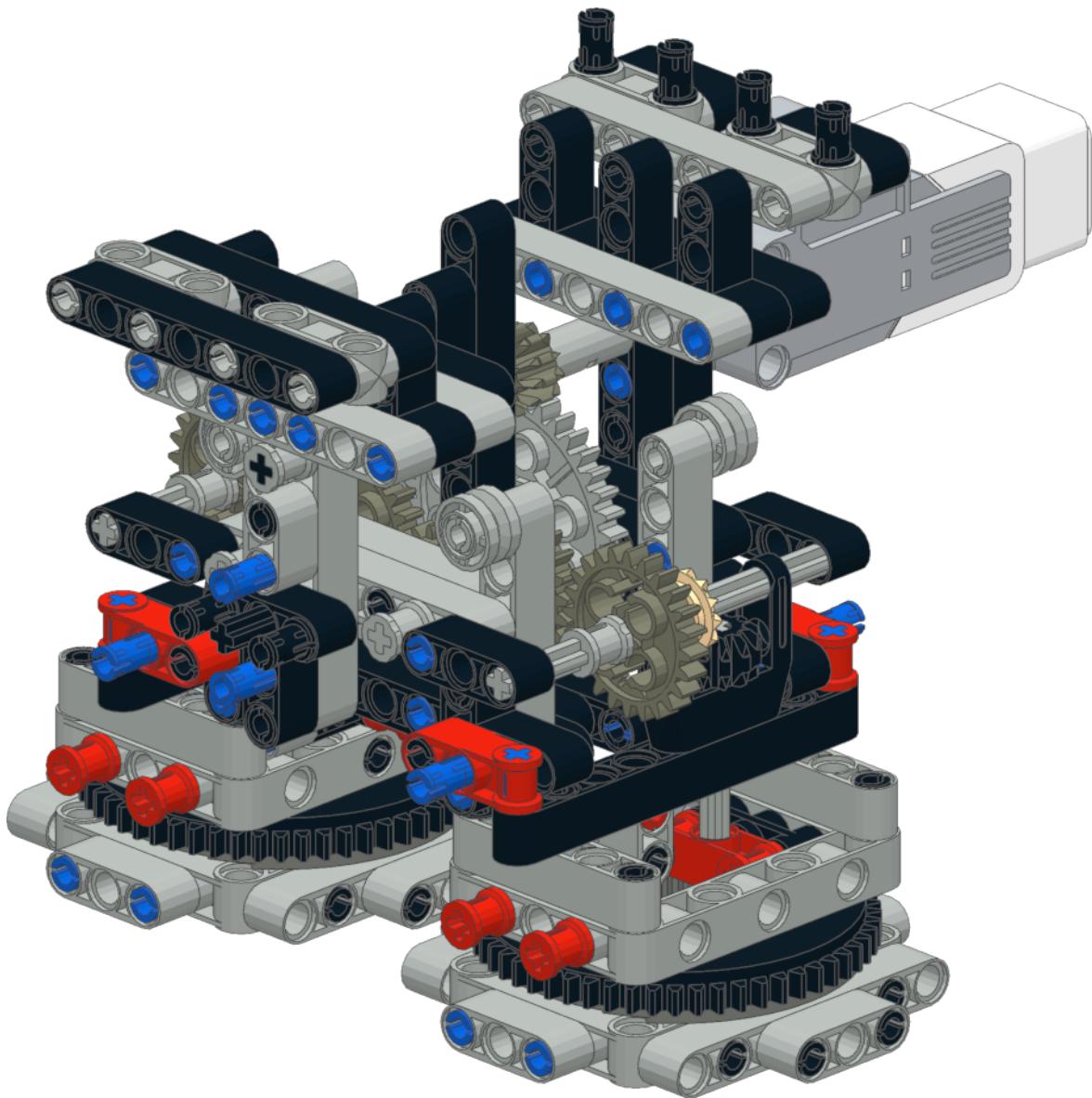
11



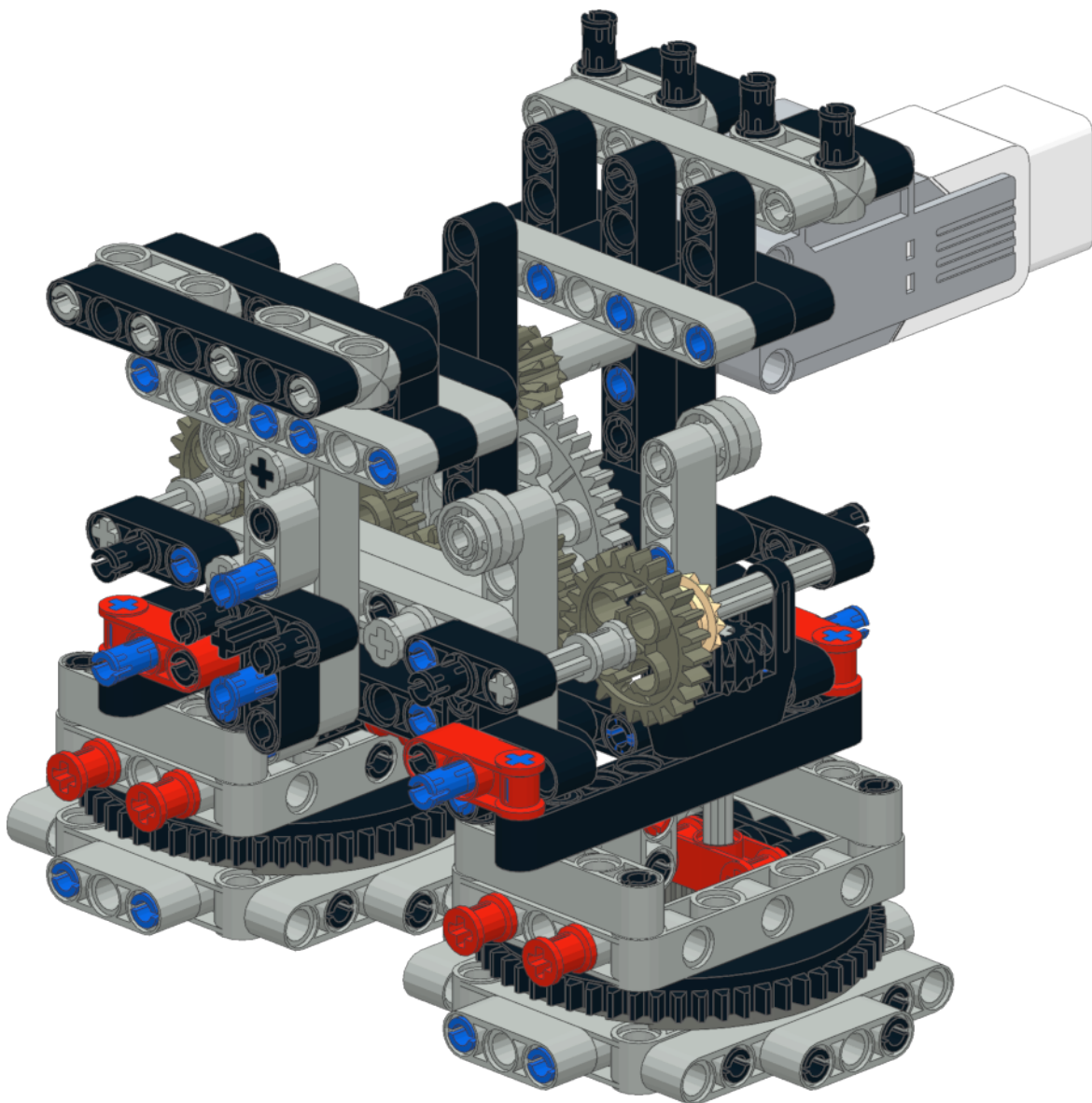
24



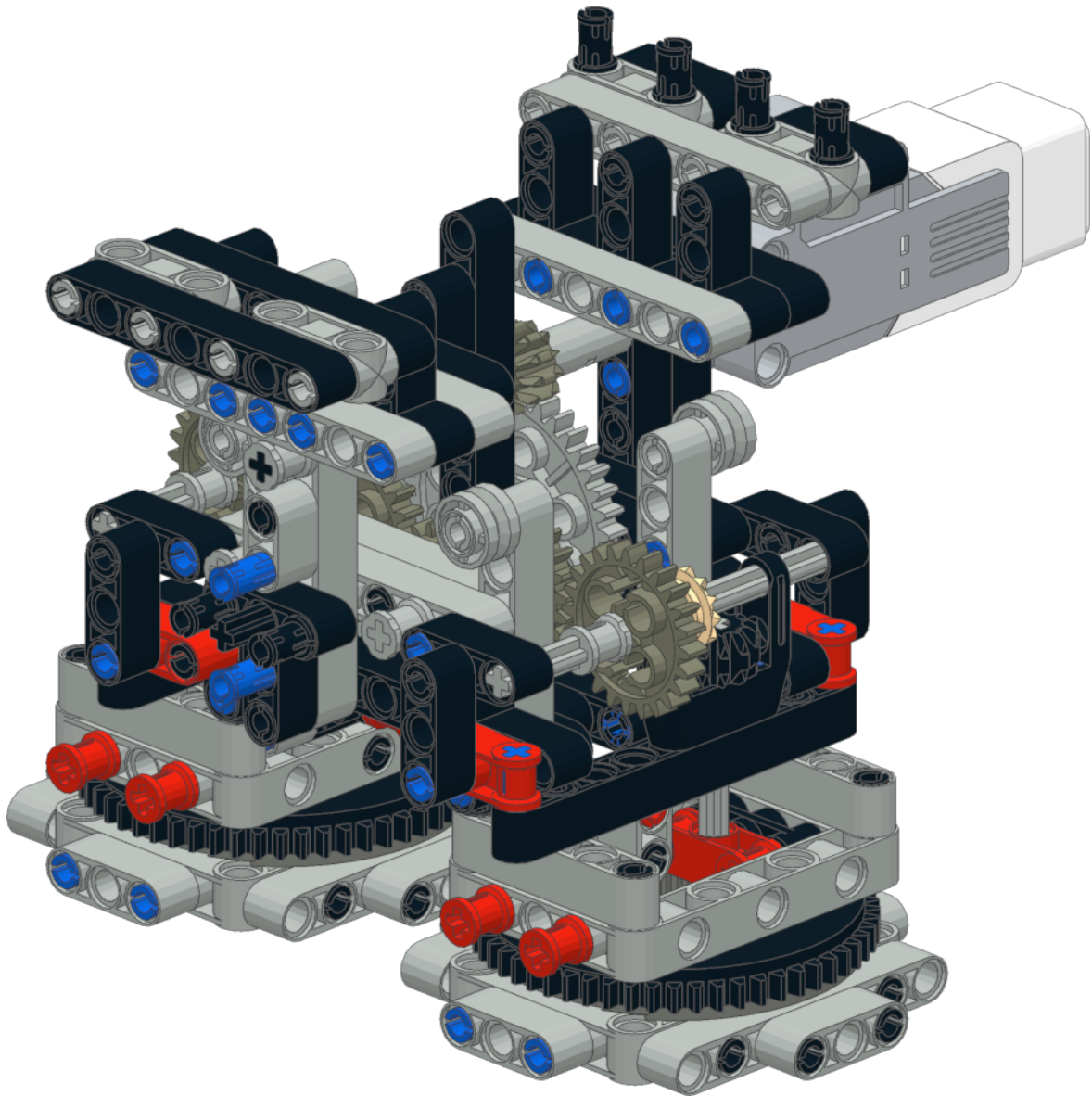
25



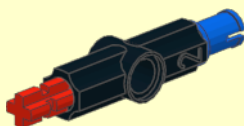
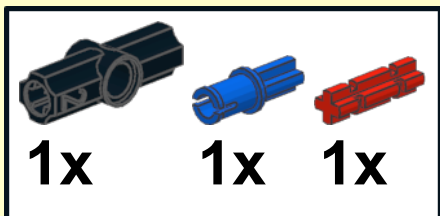
26



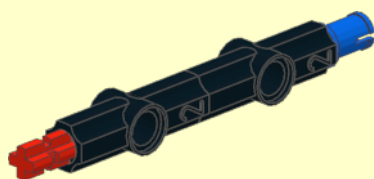
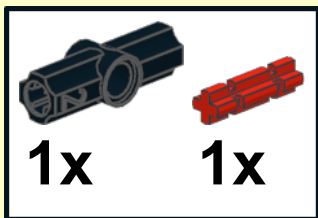
27



1



2



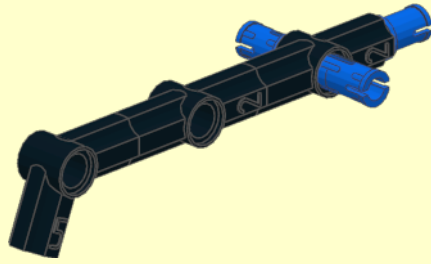
3



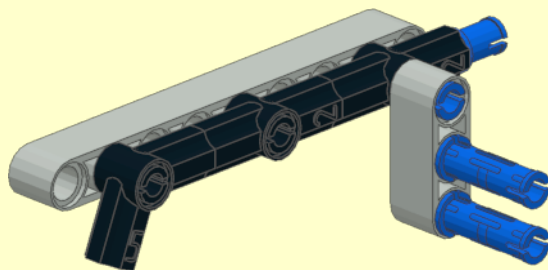
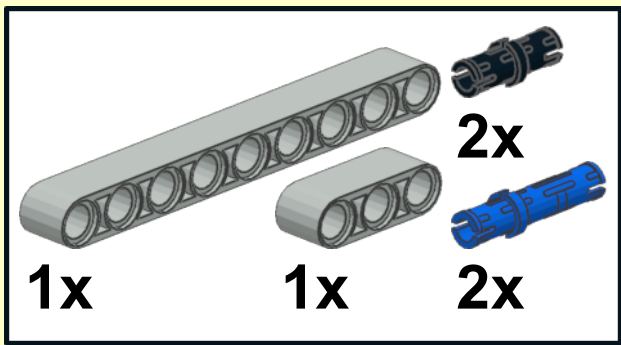
1x



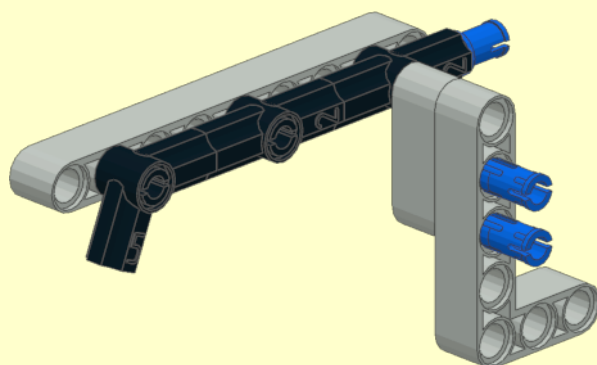
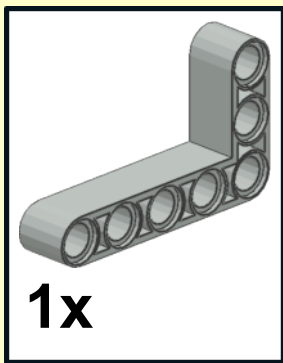
1x




4



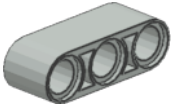
5



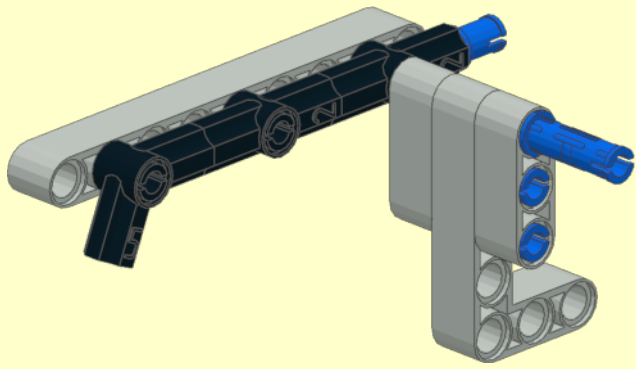
6



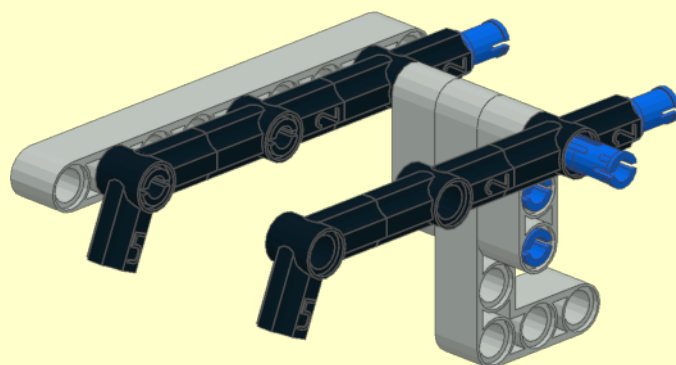
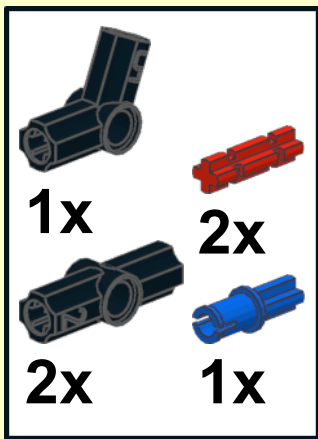
1x



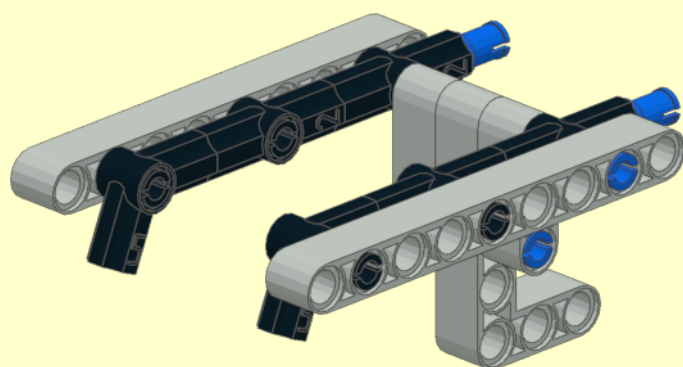
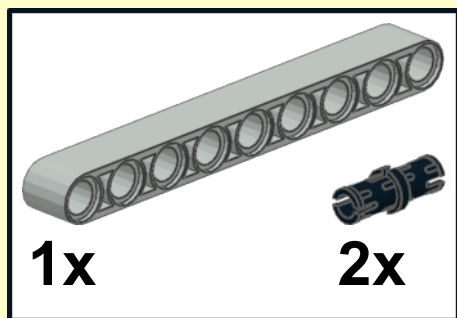
1x



7



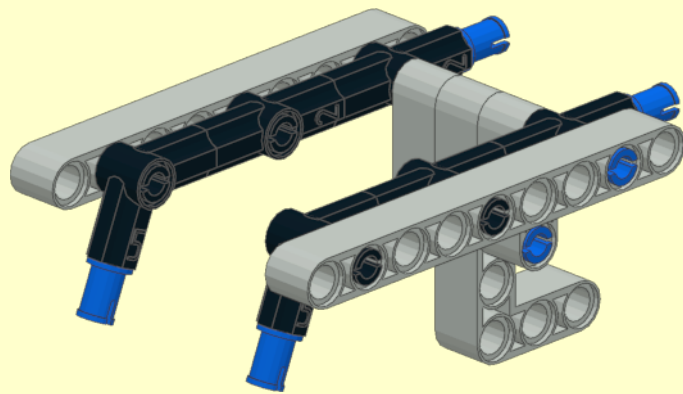
8



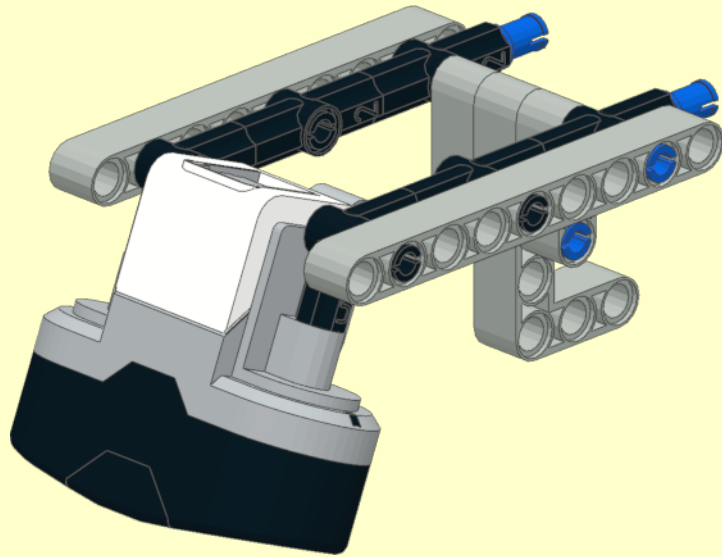
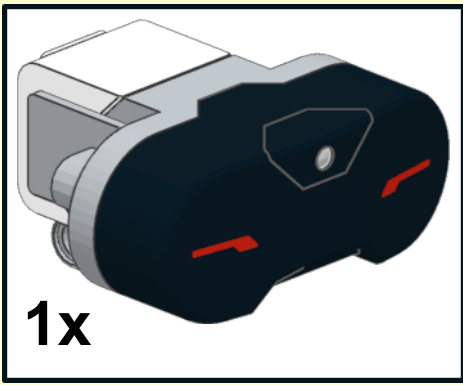
9



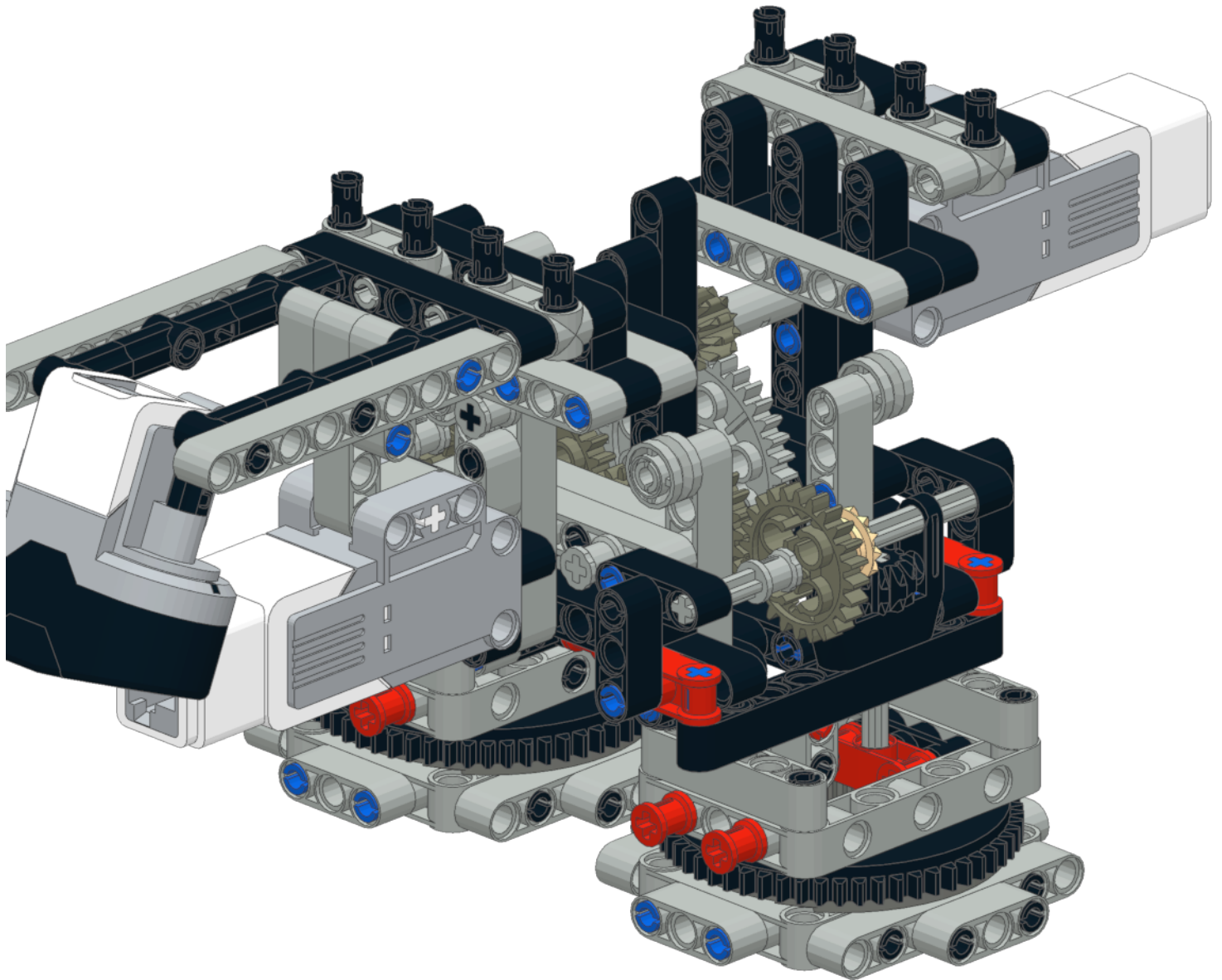
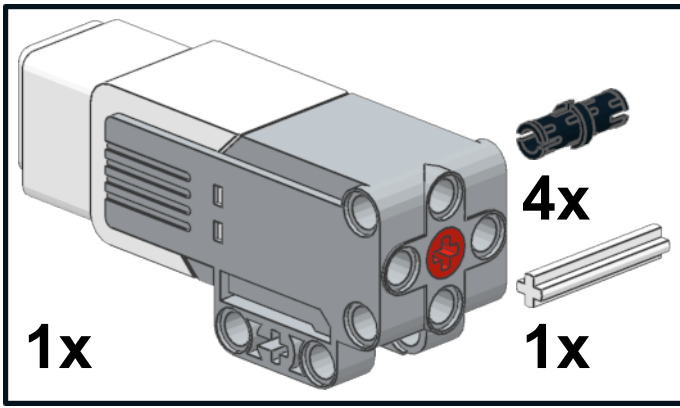
2x

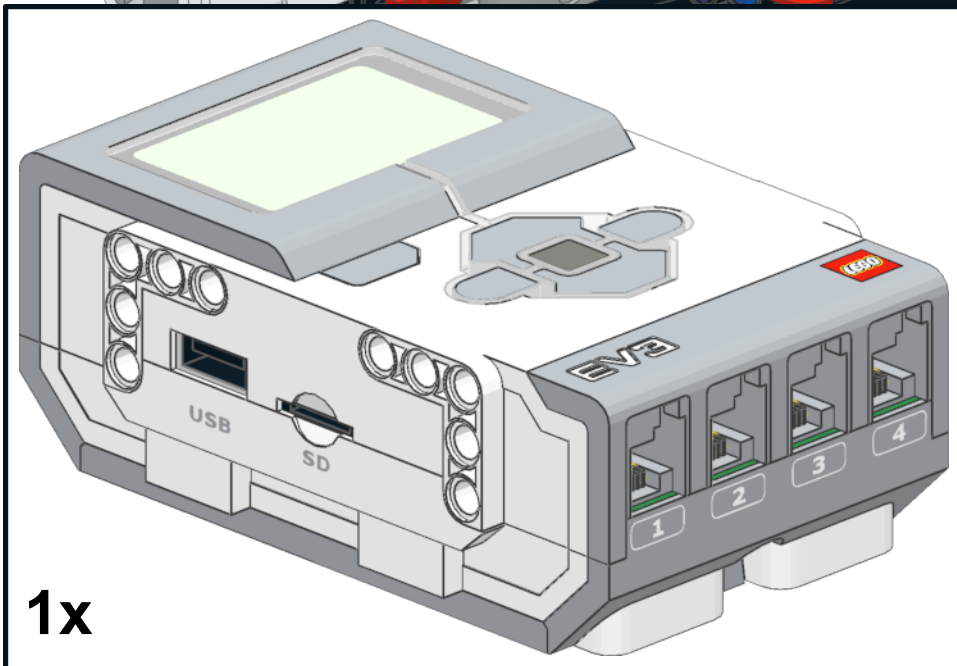
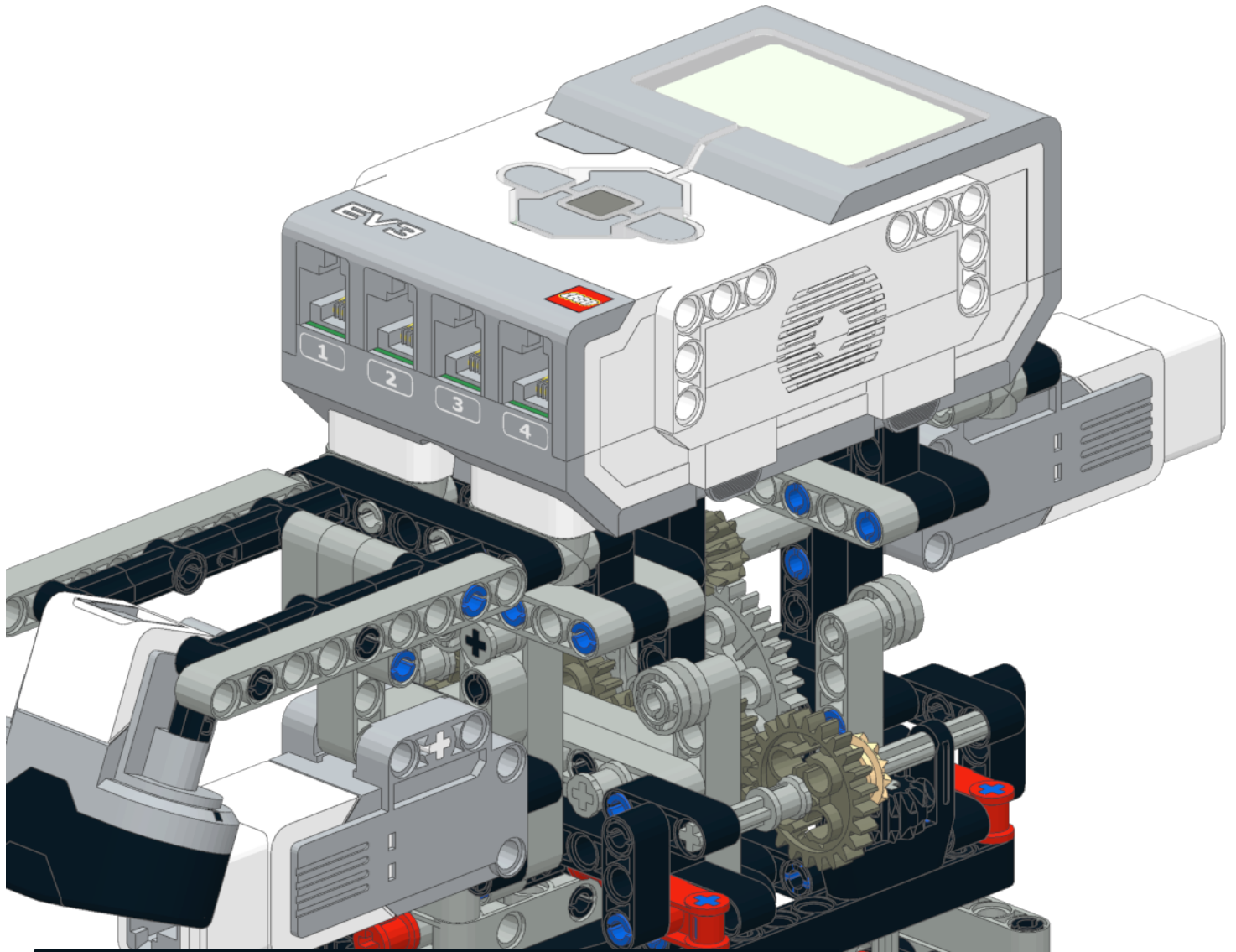


10



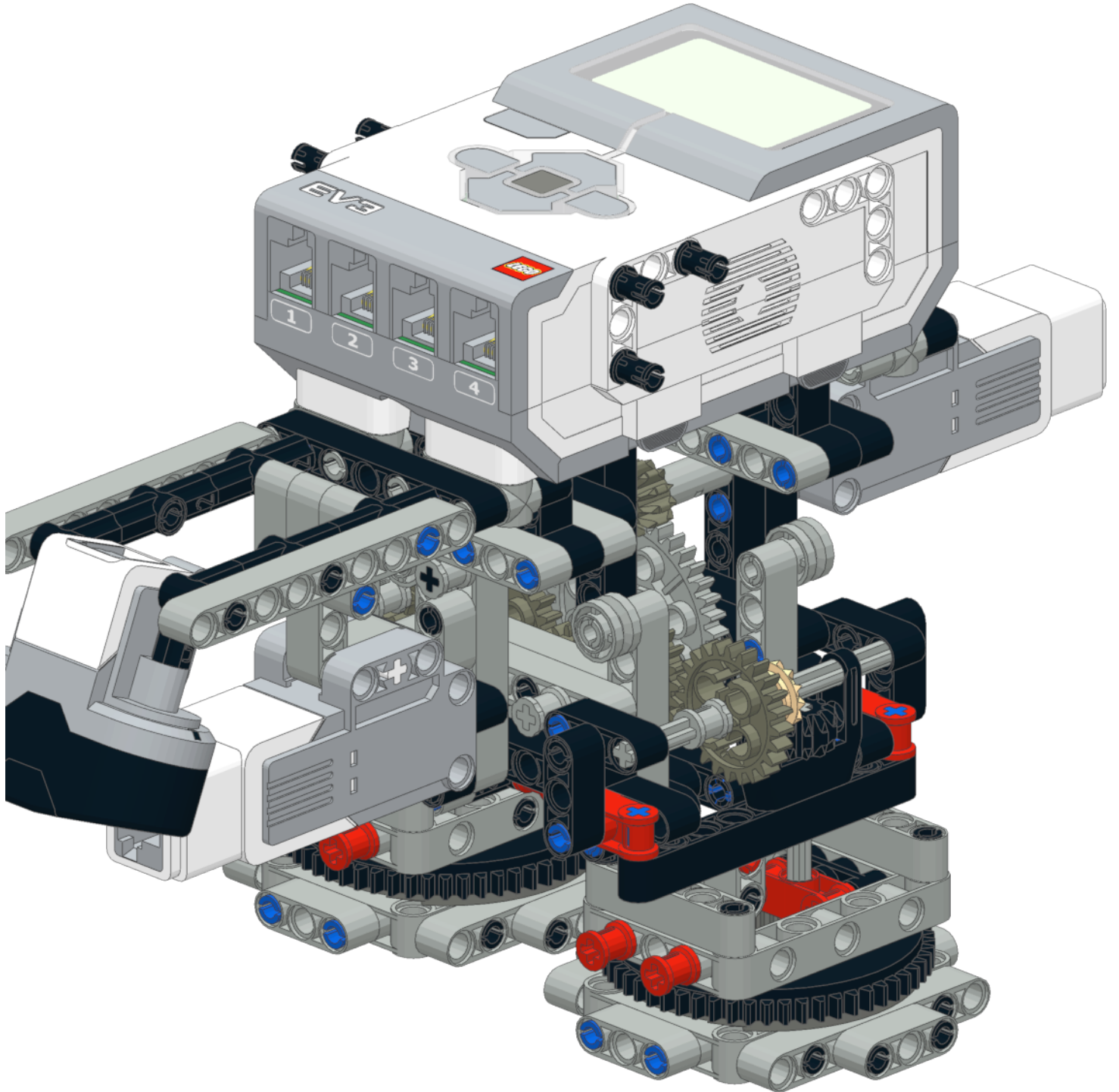
28



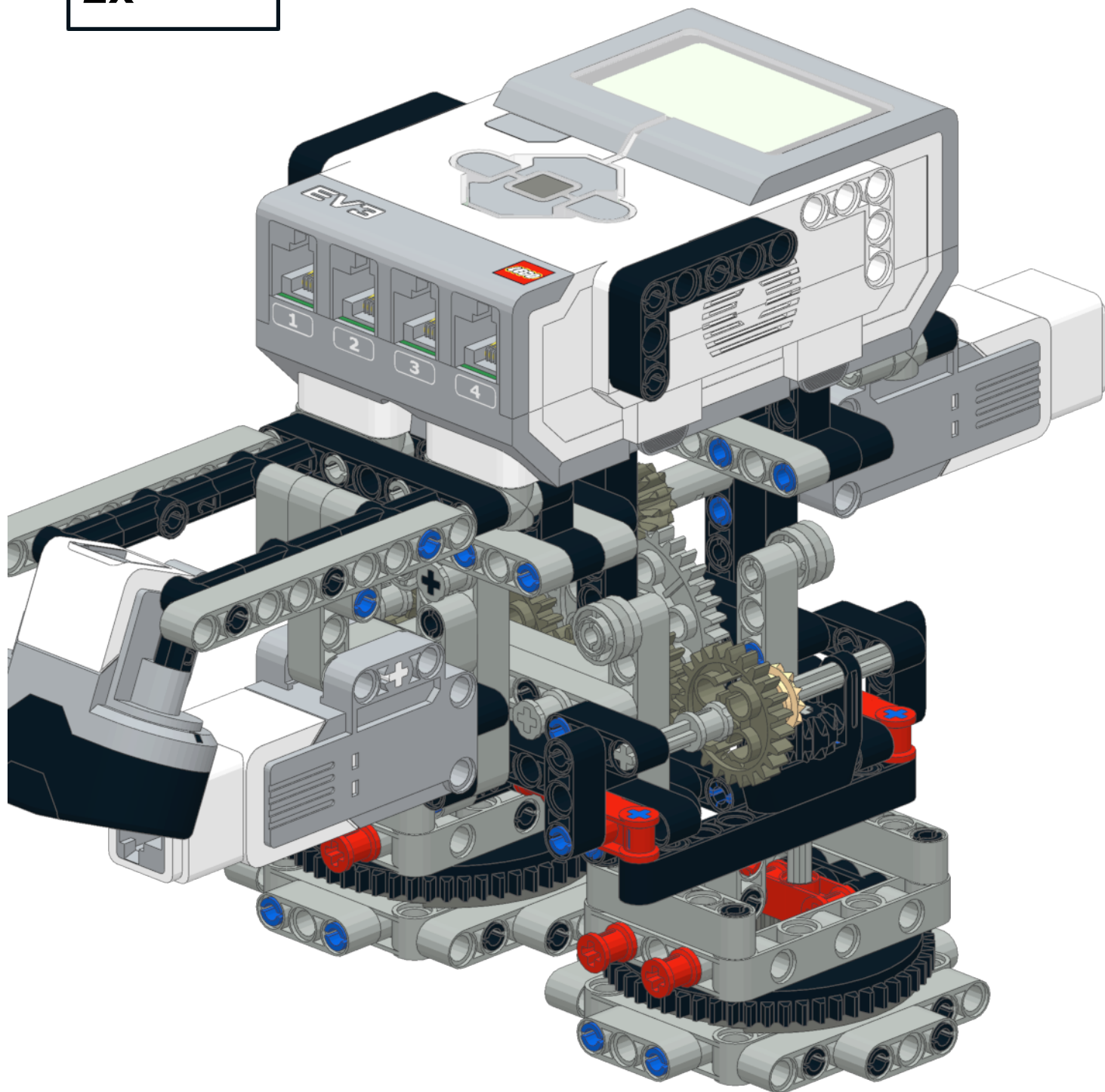
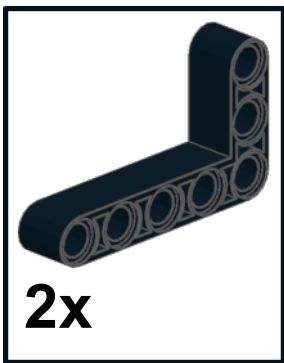


1x

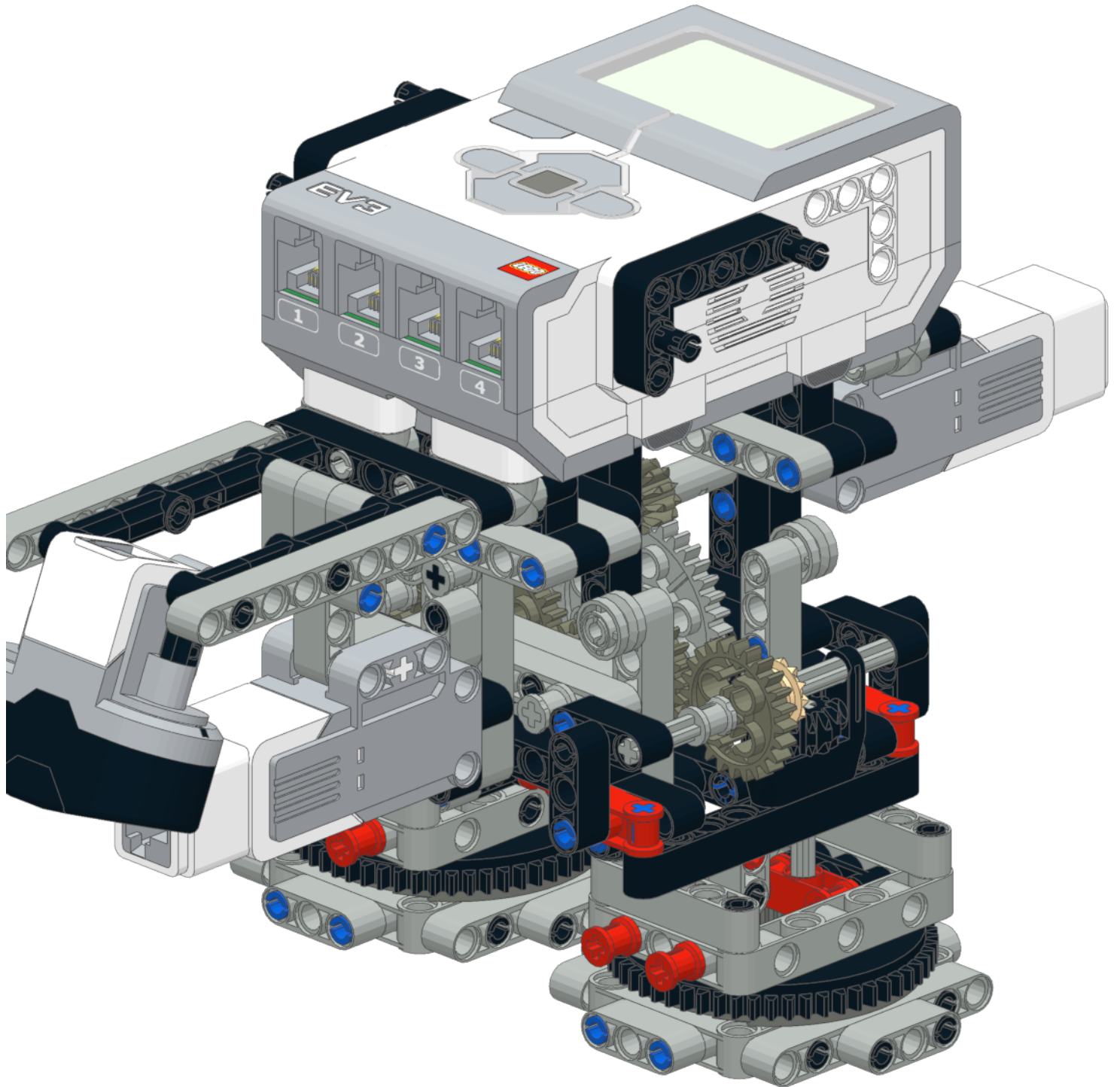
30



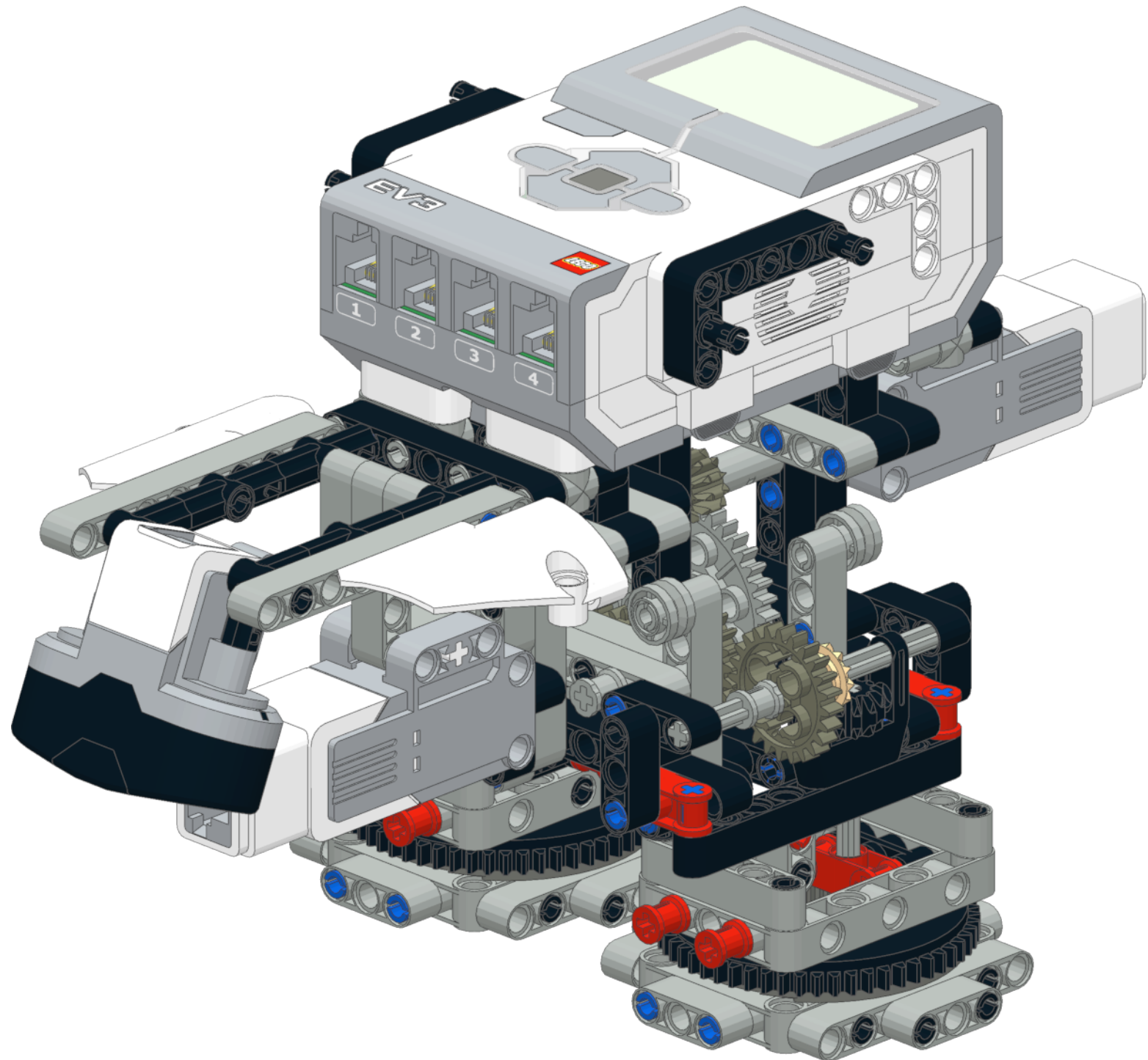
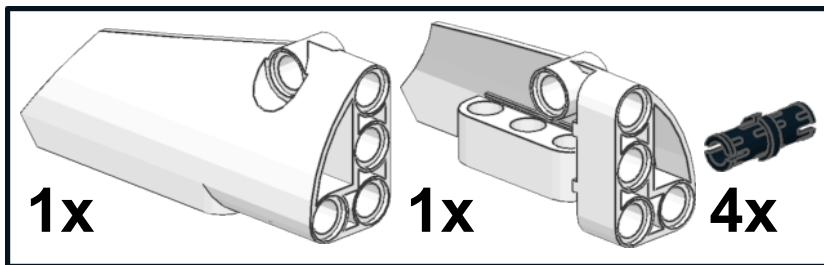
31



32



33



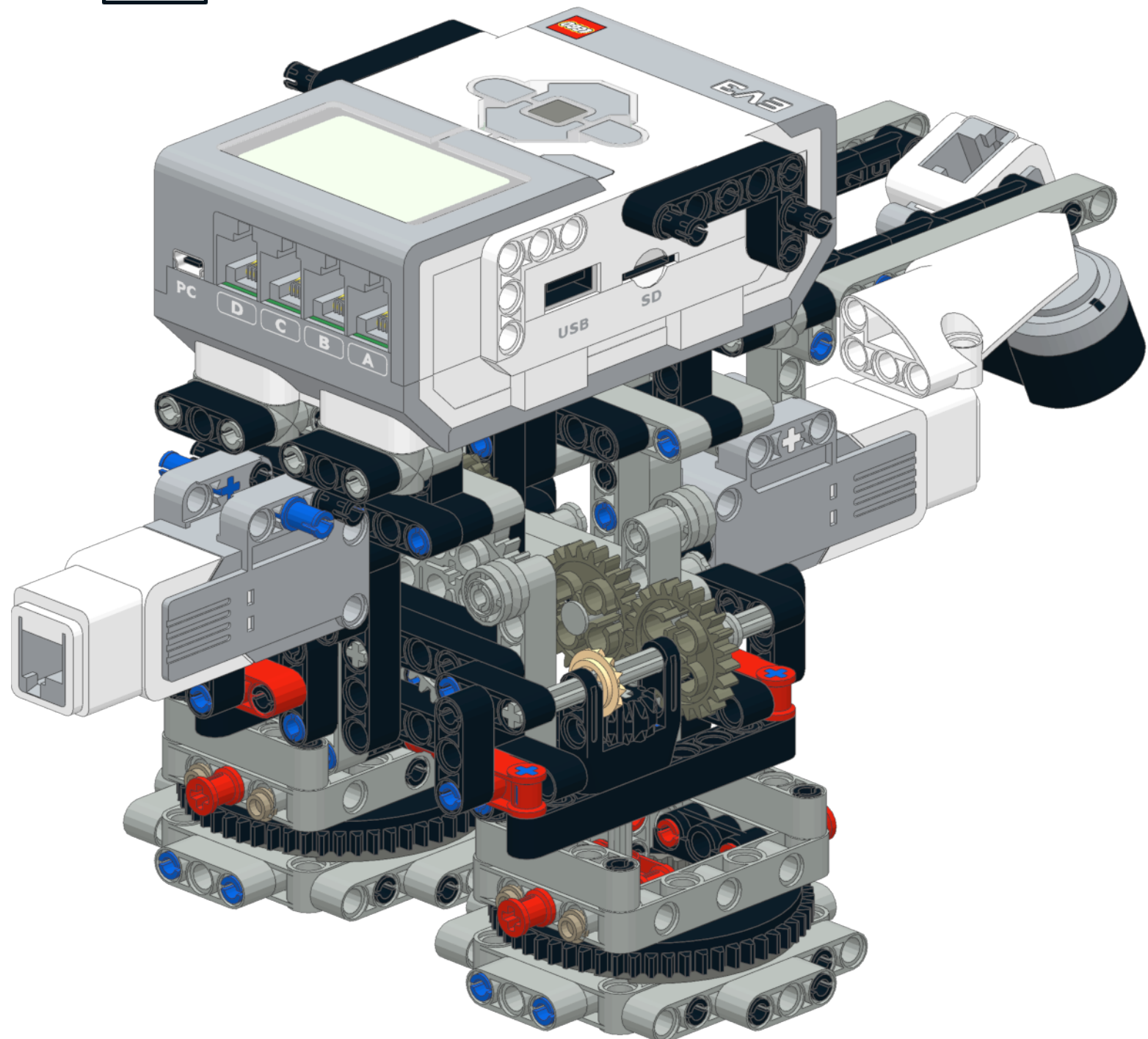
34



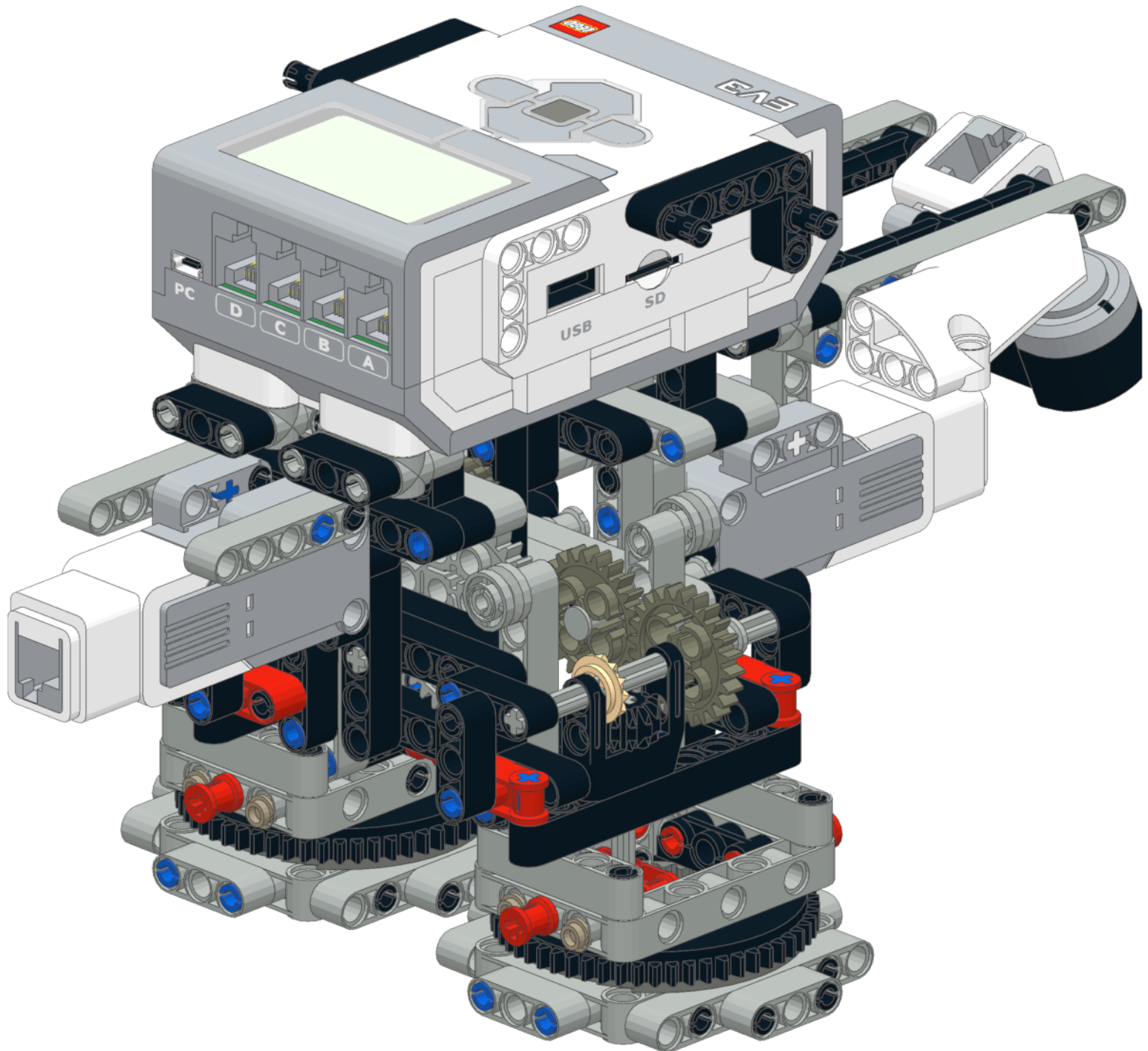
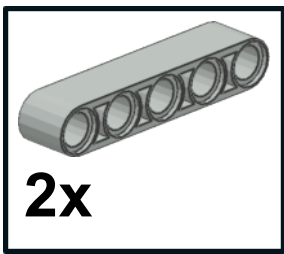
2x



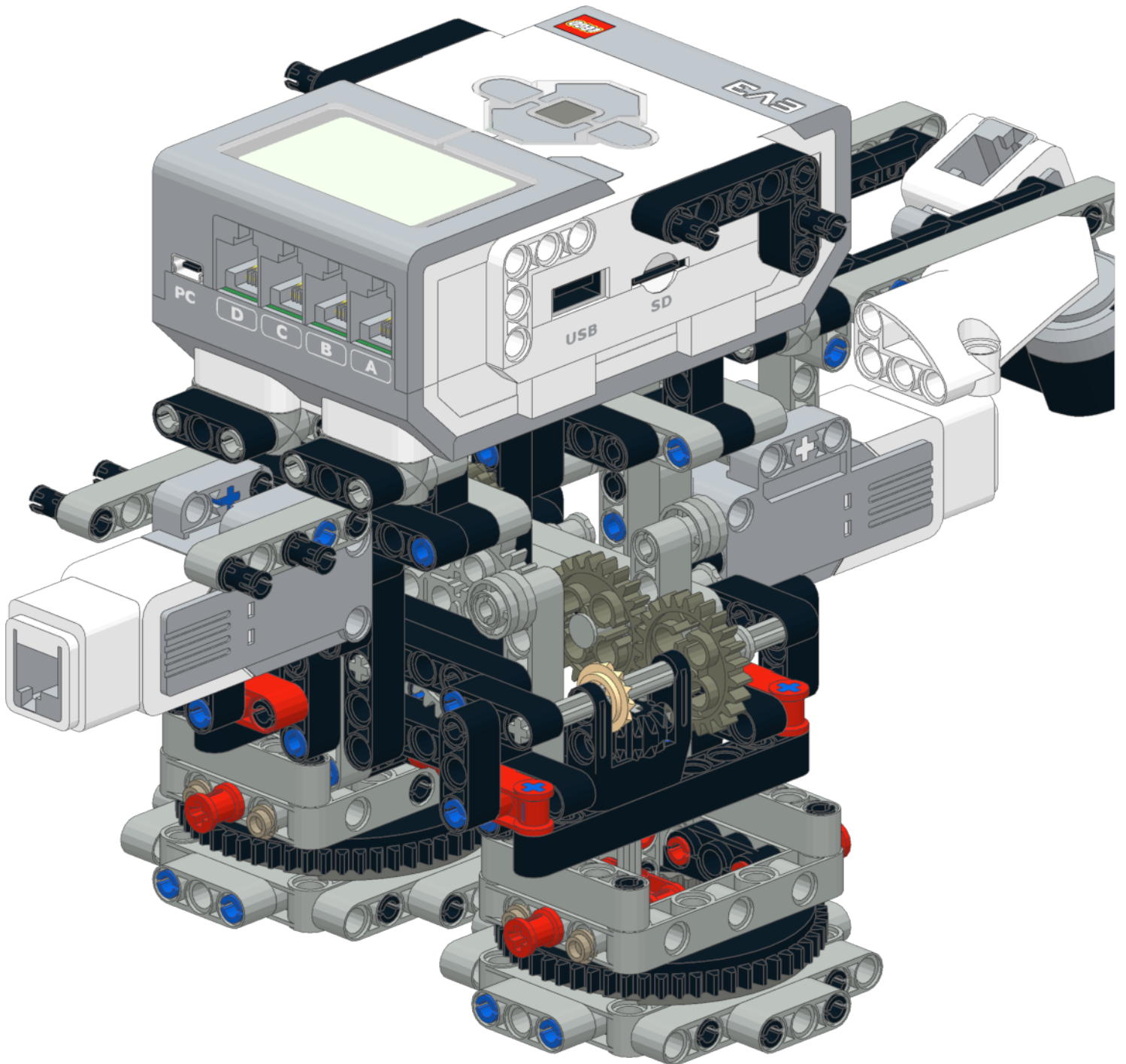
2x



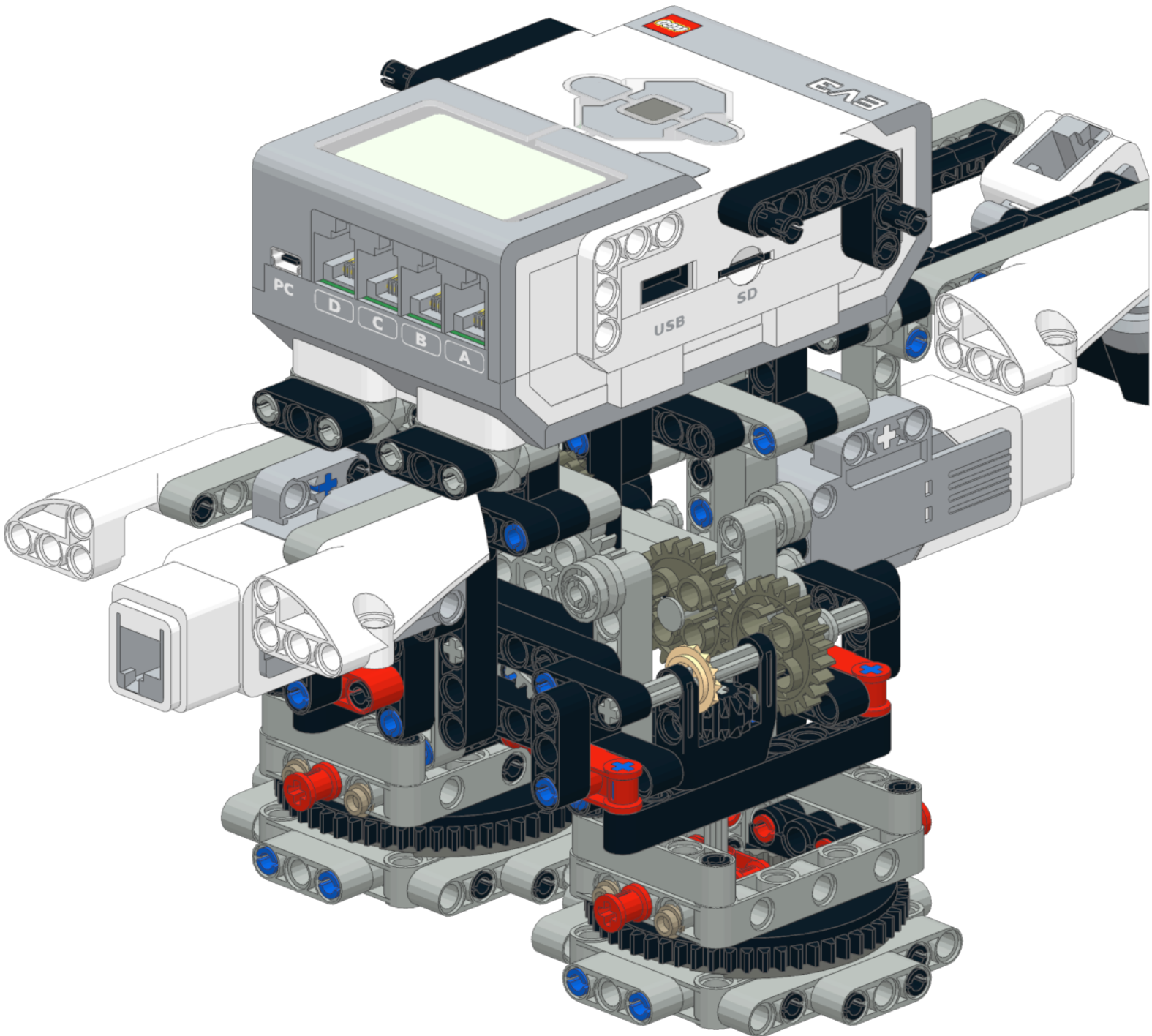
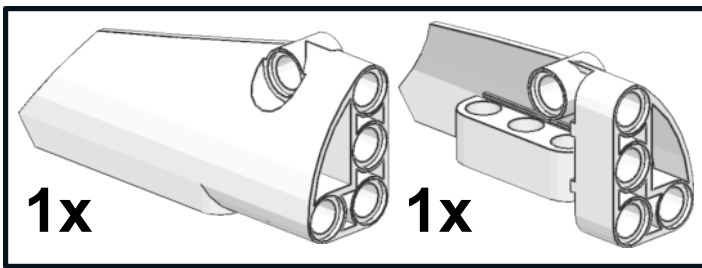
35



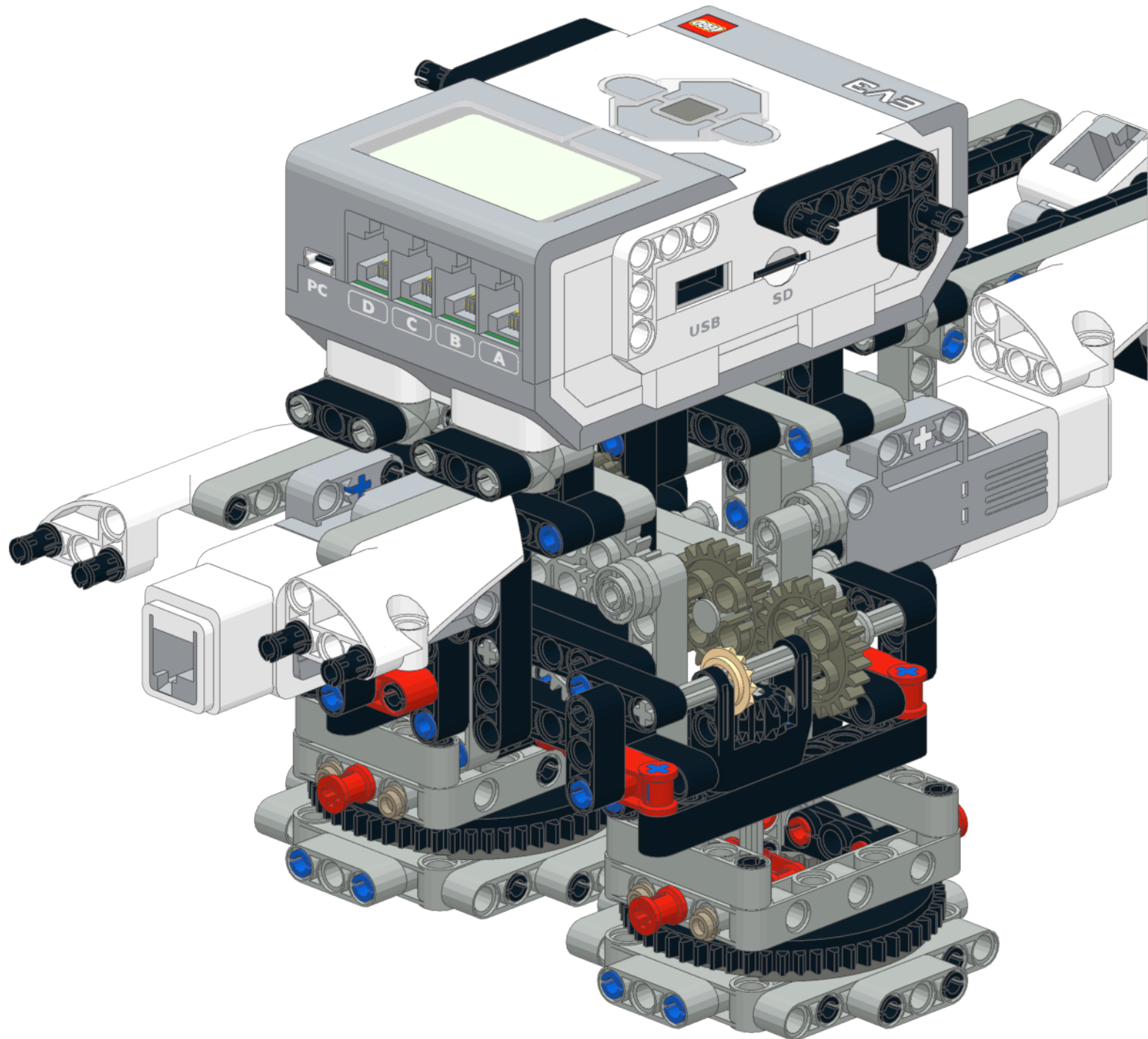
36



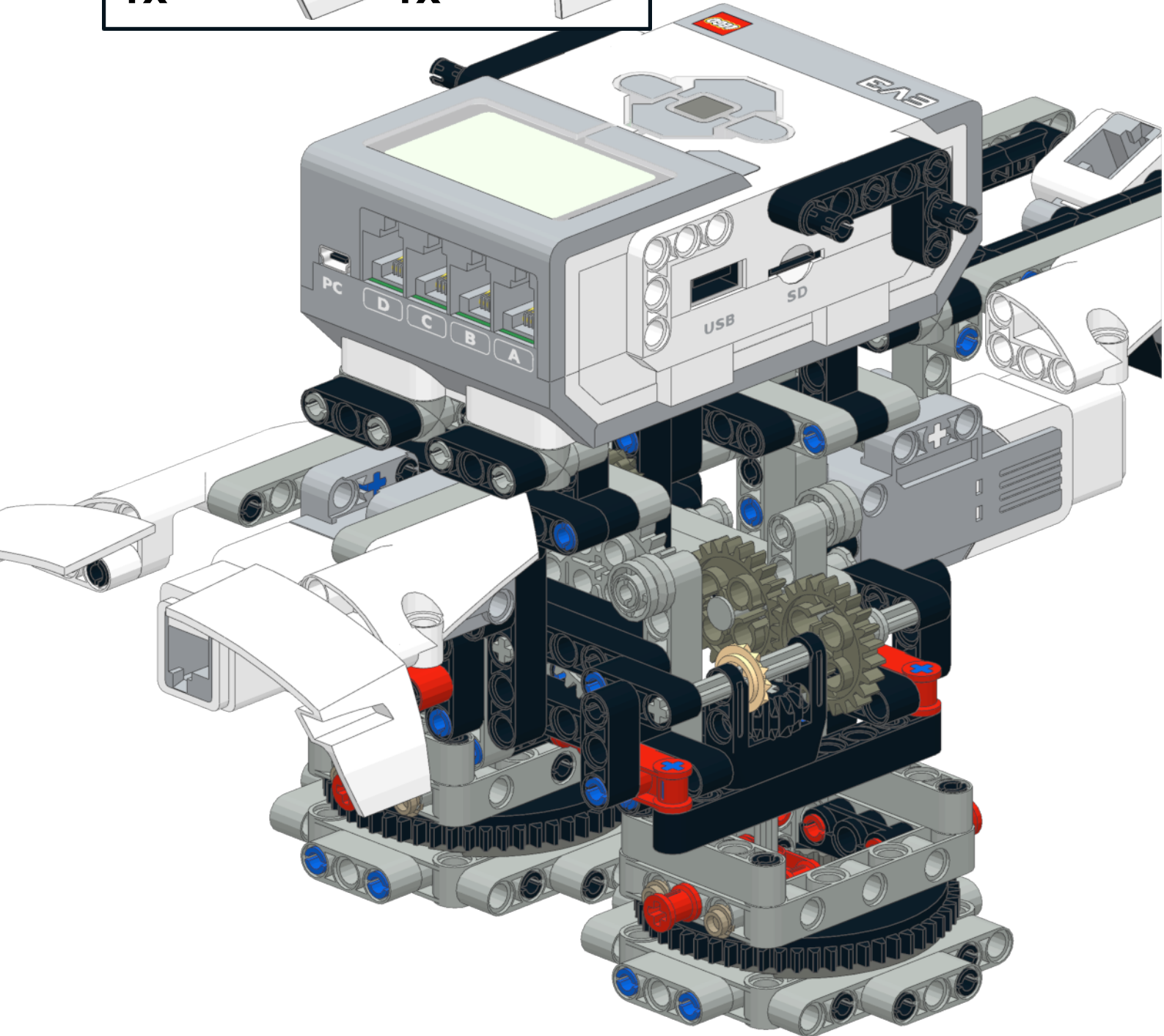
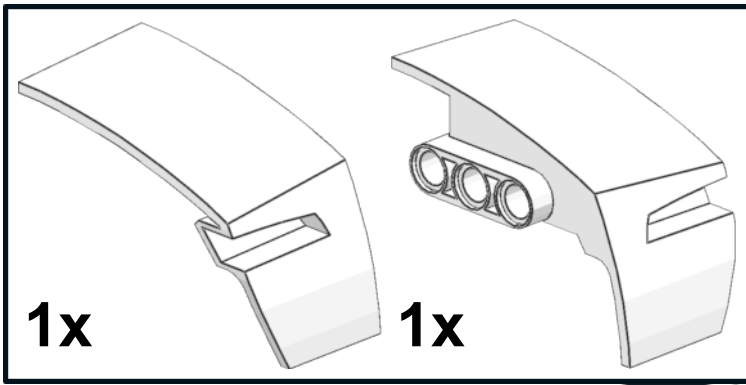
37



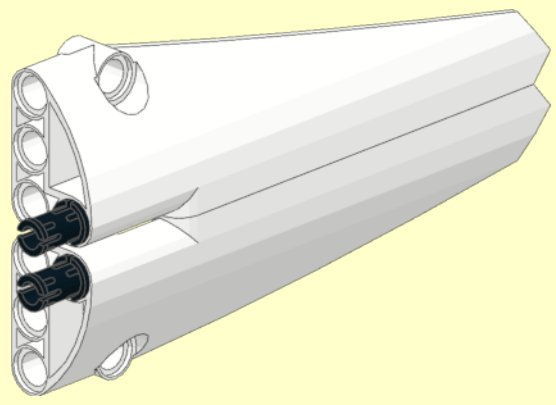
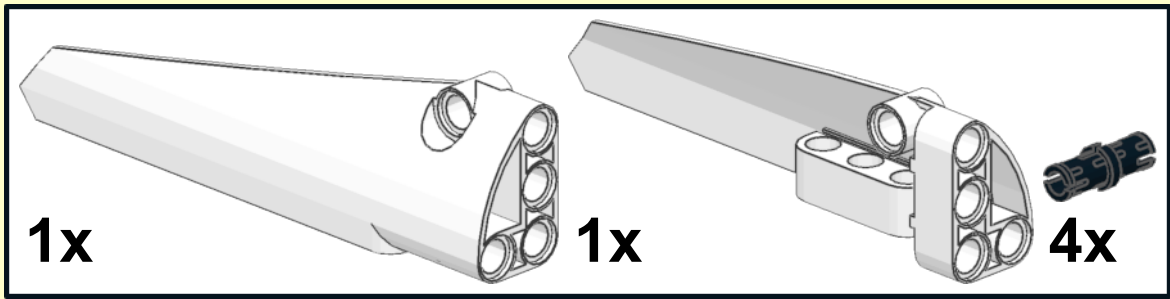
38



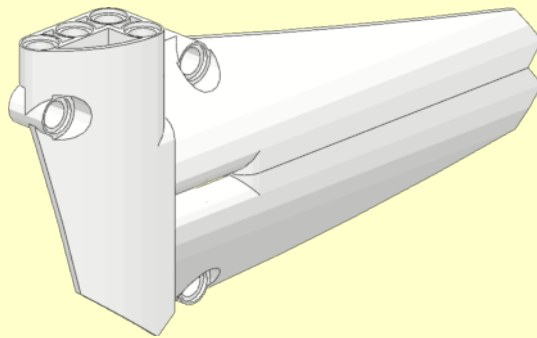
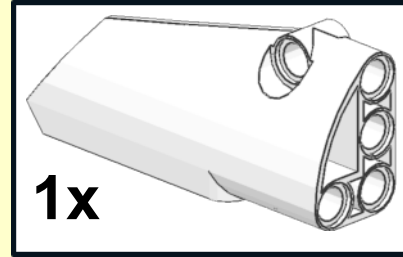
39



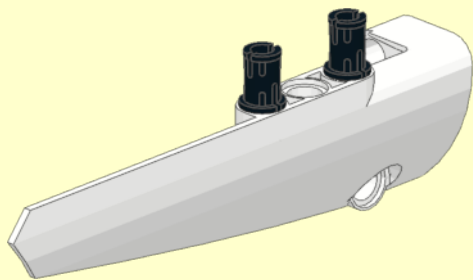
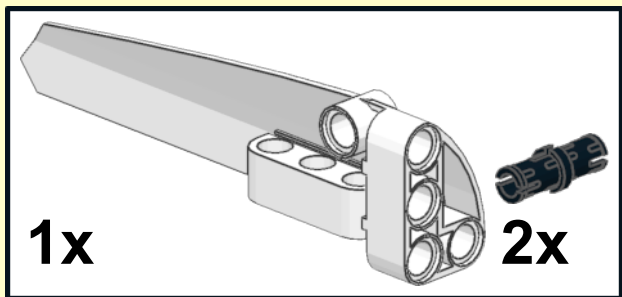
1



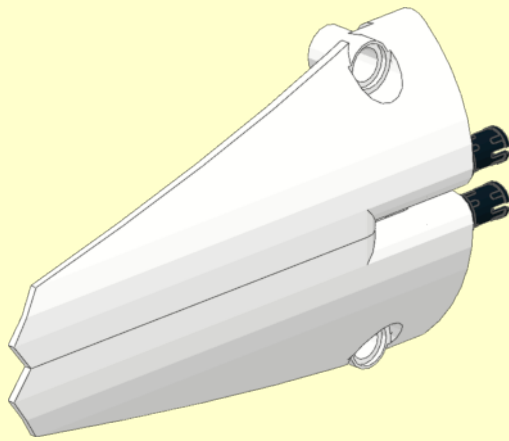
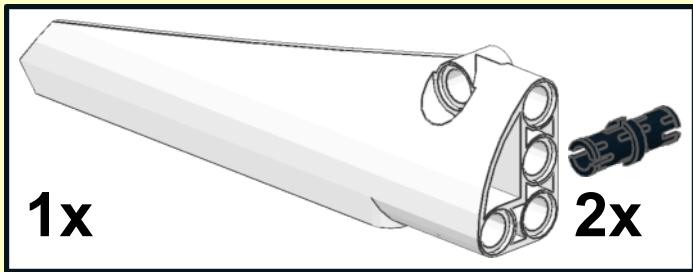
2

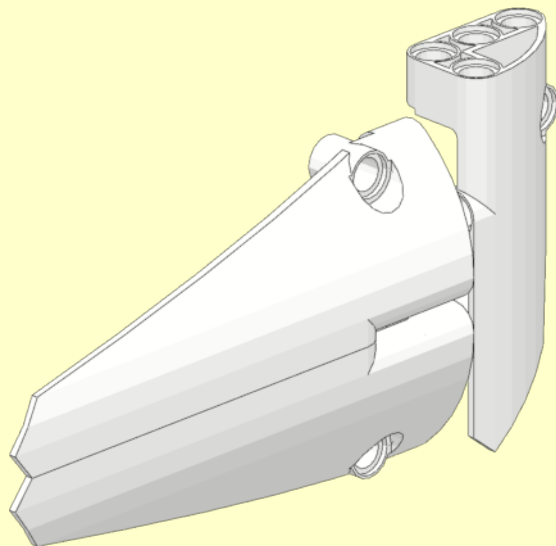
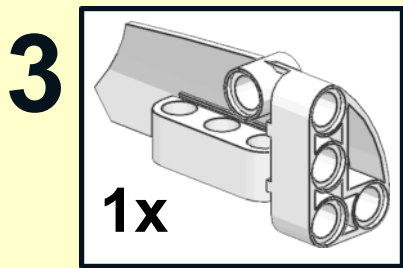


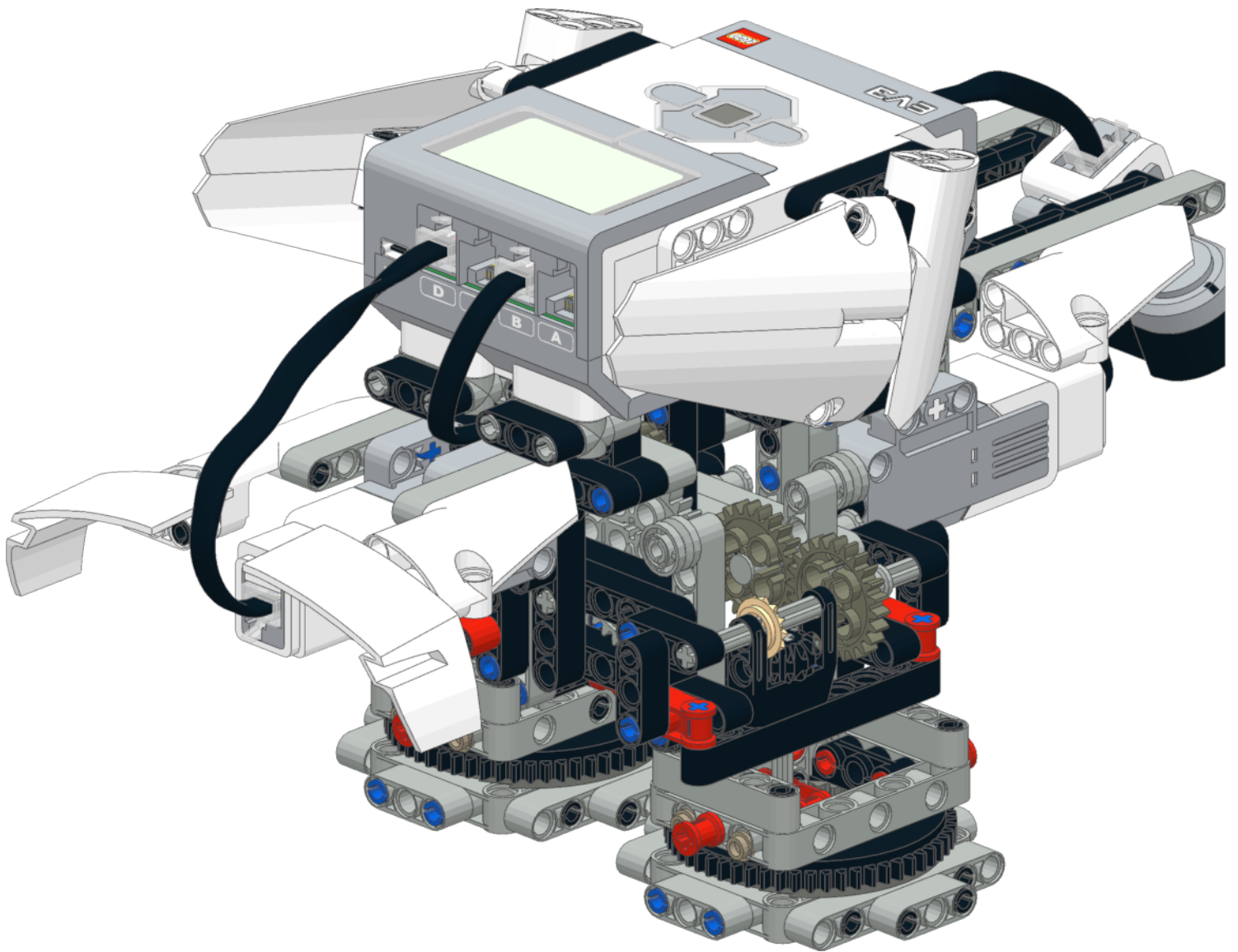
1



2







3x cable are shortest

1. Sensor to port 2

2. Medium motor at front to port B

3. Medium motor at rear to port D

